



**GX 1300/1600**

**VERTICAL MACHINING CENTER**

**PARTS LIST**

**零件清冊**

**GXB000950130D**

**Issue : A8  
Jun, 2016**

**荷蘭商哈廷國際科技股份有限公司台灣分公司  
Hardinge Machine Tools B.V., Taiwan Branch**



**GX 1300/1600**

**PARTS LIST 零件清冊**

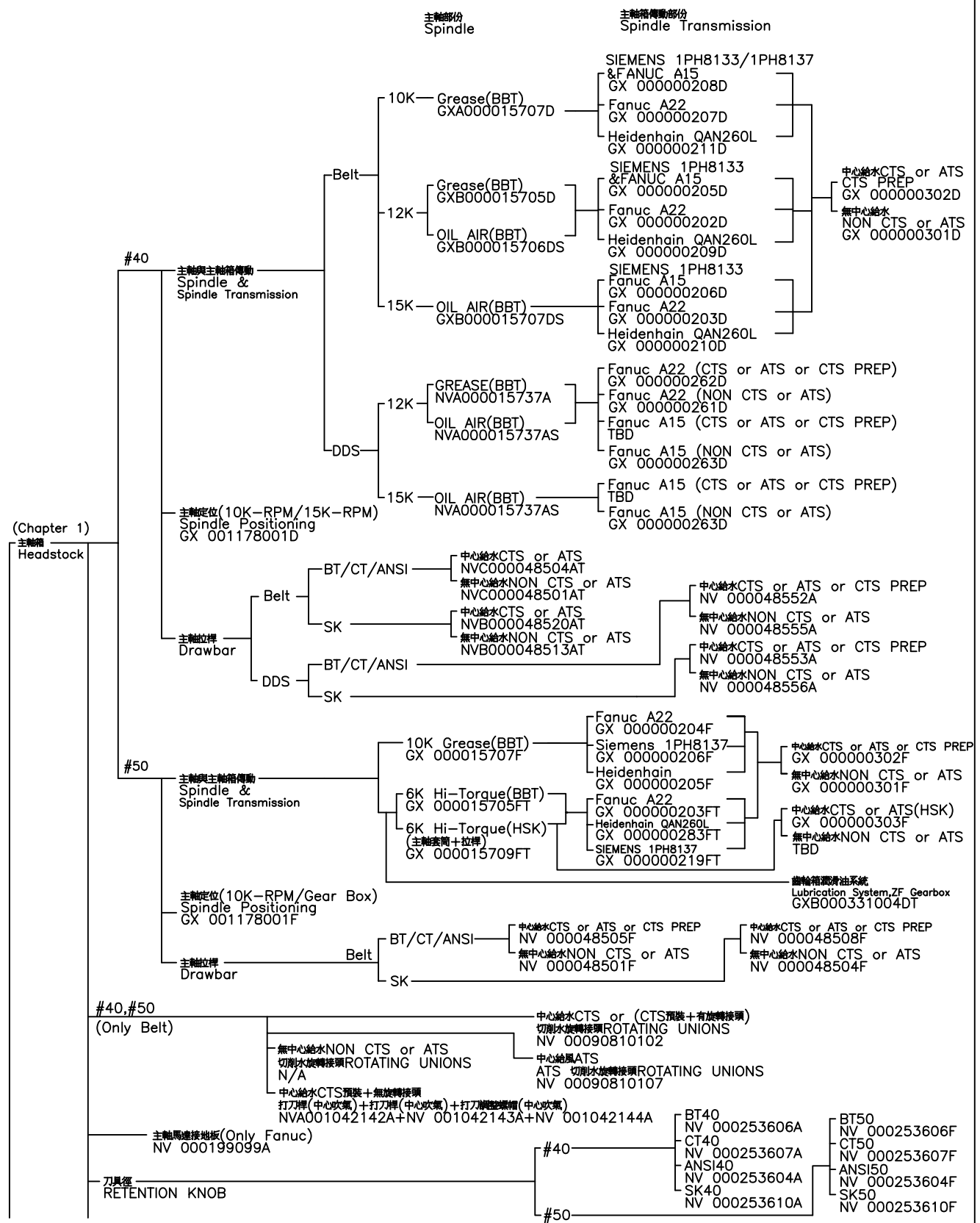
**GXB000950130D, Isu-A8**

# GX 1300/1600 零件清冊 Parts List

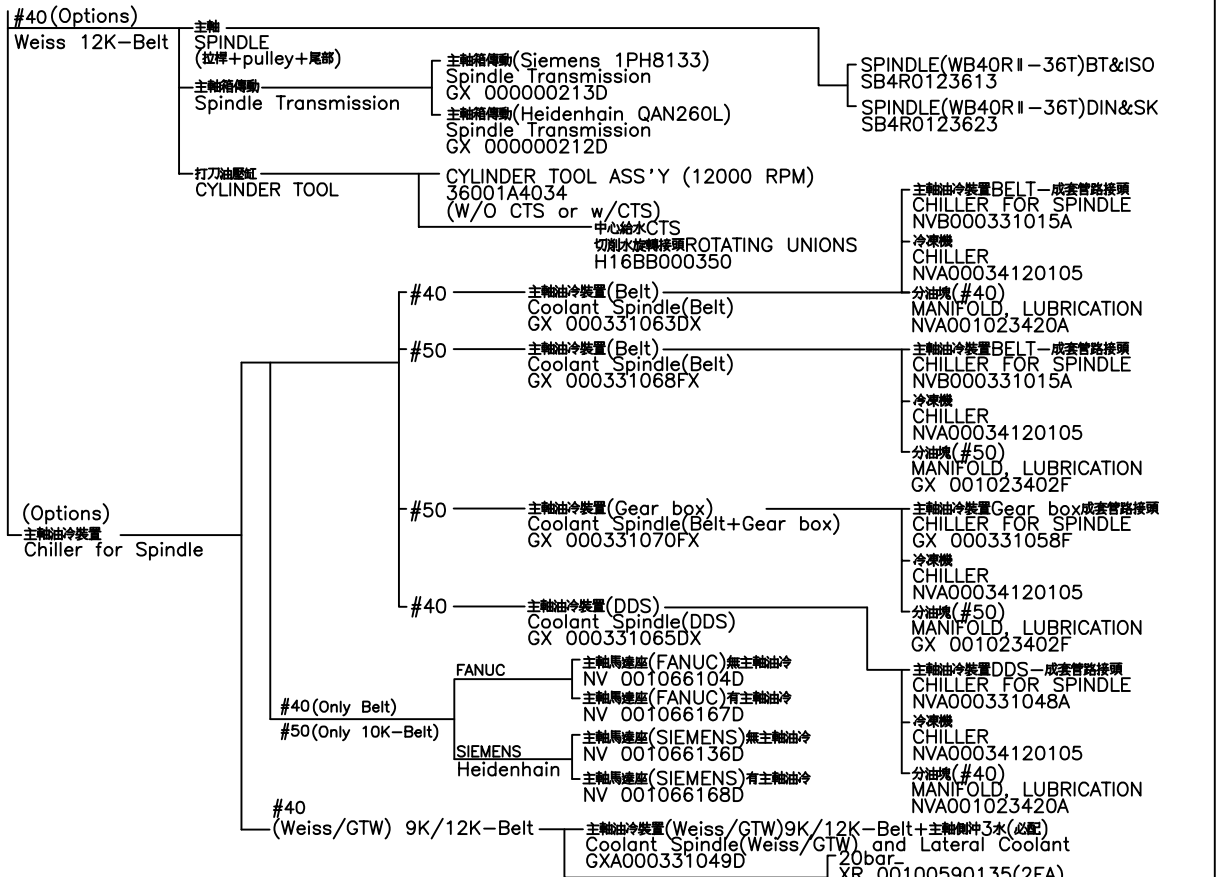
**圖示說明 Illustrations**

1 ————  $\left[ \begin{array}{l} B \\ C \end{array} \right.$  表示由B,C中能選擇其一  
Indicates choose one only

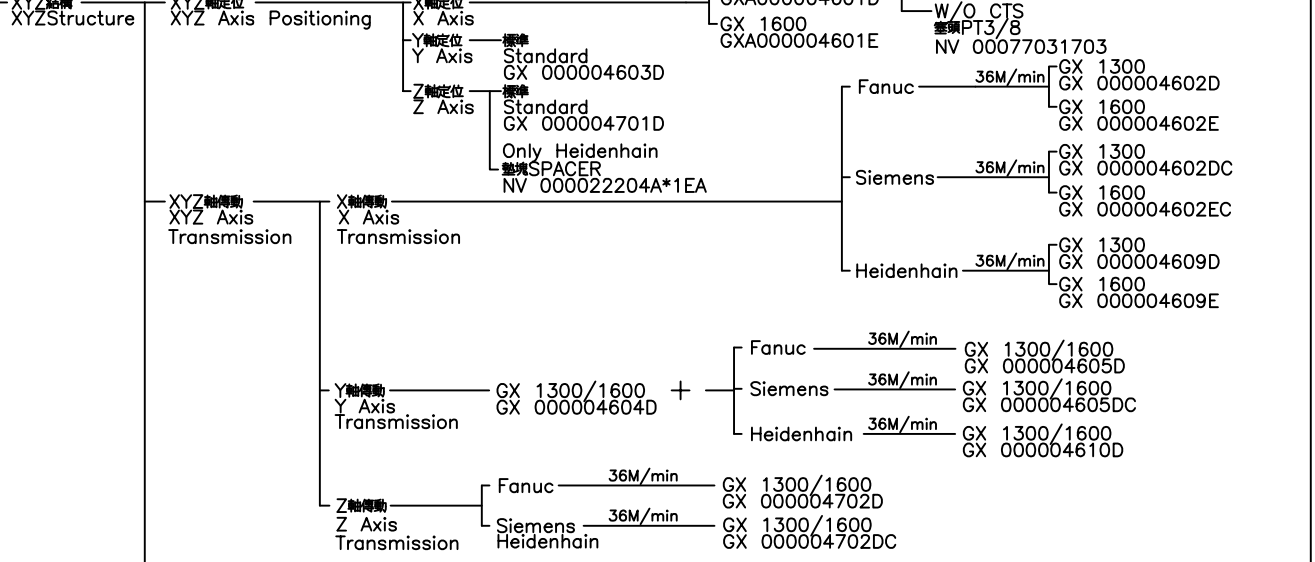
2 ————  $\left[ \begin{array}{l} B \\ C \end{array} \right.$  表示由B與C都要選  
Indicates B+C



接下頁 NEXT PAGE    接下頁 NEXT PAGE



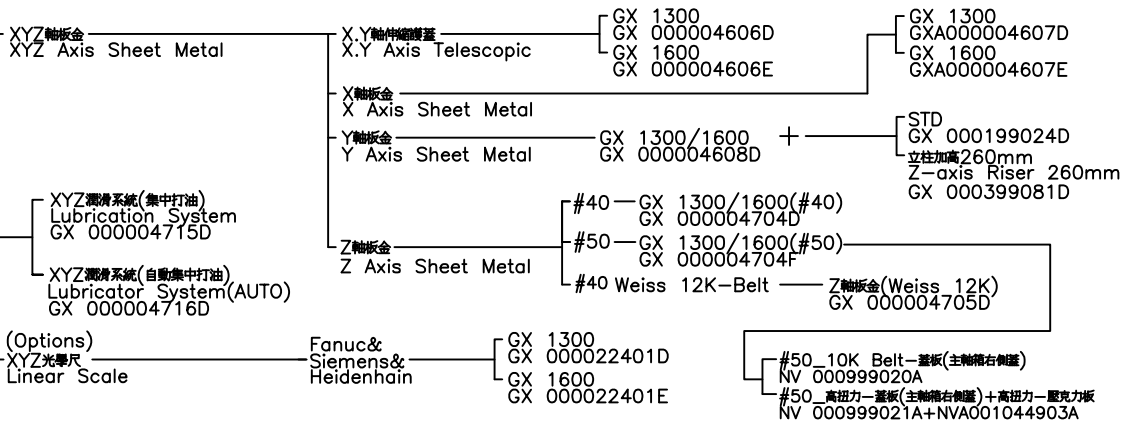
(Chapter 2)



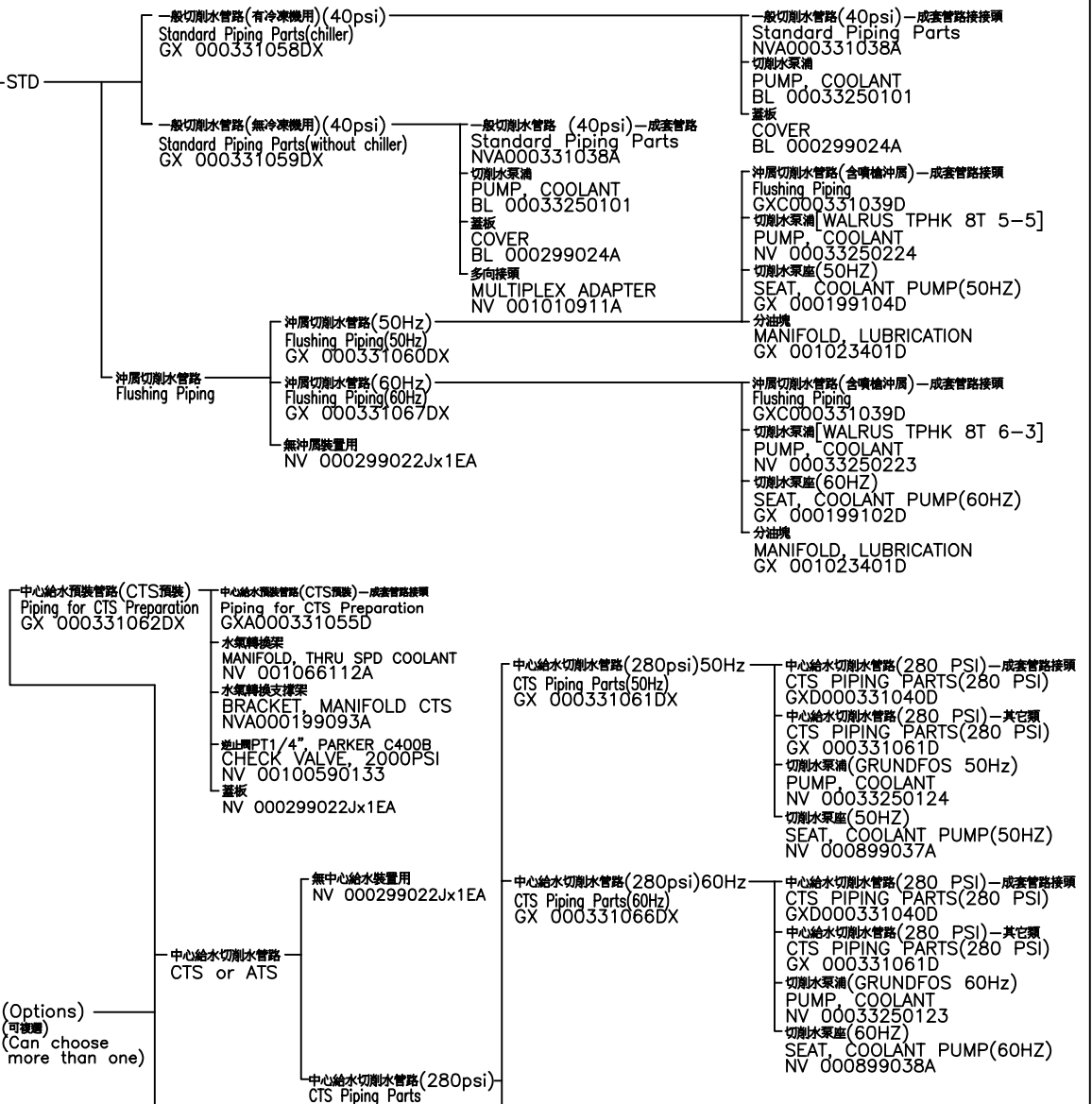


續上頁  
CONTINUE

續上頁  
CONTINUE



(Chapter 3)  
切削水管路  
Piping Parts



接下頁  
NEXT PAGE

接下頁  
NEXT PAGE

接下頁  
NEXT PAGE

接下頁  
NEXT PAGE

續上頁  
CONTINUE

續上頁  
CONTINUE

續上頁  
CONTINUE

續上頁  
CONTINUE

- 中心給水切劑水管路(280psi)50Hz  
+紙帶過濾機  
CTS Piping Filter ASS'Y  
GX 000331013DX

  - 中心給水切劑水管路(280 PSI)-成套管路接頭  
CTS PIPING PARTS(280 PSI)  
GXA000331050D
  - 中心給水切劑水管路(280PSI)-其它類  
CTS PIPING PARTS(280PSI)  
GXA000331062D
  - 切劑冰泵浦(GRUNDFOFOS 50Hz)  
PUMP, COOLANT  
NV 00033250124
  - CTS中心給水高壓裝置(20BAR)泵浦代裝(XR)50HZ  
CTS PAPER FILTER(20BAR)  
NV 0000002105
  
- 中心給水切劑水管路(280psi)60Hz  
+紙帶過濾機  
CTS Piping Filter ASS'Y  
GX 000331014DX

  - 中心給水切劑水管路(280 PSI)-成套管路接頭  
CTS PIPING PARTS(280 PSI)  
GXA000331050D
  - 中心給水切劑水管路(280 PSI)-其它類  
CTS PIPING PARTS(280 PSI)  
GXA000331062D
  - 切劑冰泵浦(GRUNDFOFOS 60Hz)  
PUMP, COOLANT  
NV 00033250123
  - CTS中心給水高壓裝置(20BAR)泵浦代裝(XR)60HZ  
CTS PAPER FILTER(20BAR)  
NV 0000002107
  
- 中心給水切劑水管路(700psi)  
+紙帶過濾機 50/60Hz  
CTS Piping Filter ASS'Y  
GX 000331015DX

  - 中心給水切劑水管路(700/1000 PSI)-成套管路接頭  
CTS PIPING PARTS(700/1000 PSI)  
GX 000331051D
  - 中心給水切劑水管路(280 PSI)-其它類  
CTS PIPING PARTS(280 PSI)  
GXA000331062D
  - 切劑冰泵浦(GRUNDFOFOS 700PSI)  
PUMP, COOLANT  
NV 00033250129
  - CTS中心給水高壓裝置(50BAR)泵浦代裝(XR)  
CTS PAPER FILTER(50BAR)  
NV 0000002101
  - 壓力限制閥(HYDAC)  
PRESSURE LIMITATION VALVE  
NV 00100590130
  
- 中心給水切劑水管路(1000psi)  
+紙帶過濾機  
CTS Piping Filter ASS'Y  
GX 000331016DX

  - 中心給水切劑水管路(700/1000 PSI)-成套管路接頭  
CTS PIPING PARTS(700/1000 PSI)  
GX 000331051D
  - 中心給水切劑水管路(20/50/70Bar)-其它類  
CTS PIPING PARTS(20/50/70Bar)  
GXA000331062D
  - 切劑冰泵浦(GRUNDFOFOS 1000PSI)  
PUMP, COOLANT  
NV 00033250127
  - CTS中心給水高壓裝置(70BAR)泵浦代裝(XR)  
CTS PAPER FILTER(70BAR)  
NV 0000002104
  - 壓力限制閥(HYDAC)  
PRESSURE LIMITATION VALVE  
NV 00100590130
  
- 中心給水切劑水管路(280psi)50Hz  
CTS Piping Parts(50Hz)  
GX 000331074DX  
(Weiss/GTW)9K/12K-Belt

  - 中心給水切劑水管路(280 PSI)-成套管路接頭  
CTS PIPING PARTS(280 PSI)  
GX 000331072D
  - 中心給水切劑水管路(280 PSI)-其它類  
CTS PIPING PARTS(280 PSI)  
GX 000331073D
  - 切劑冰泵浦(GRUNDFOFOS 50Hz)  
PUMP, COOLANT  
NV 00033250124
  - 切劑冰泵座(50Hz)  
SEAT, COOLANT PUMP(50HZ)  
NV 000899037A
  
- 中心給水切劑水管路(280psi)60Hz  
CTS Piping Parts(60Hz)  
GX 000331075DX  
(Weiss/GTW)9K/12K-Belt

  - 中心給水切劑水管路(280 PSI)-成套管路接頭  
CTS PIPING PARTS(280 PSI)  
GX 000331072D
  - 中心給水切劑水管路(280 PSI)-其它類  
CTS PIPING PARTS(280 PSI)  
GX 000331073D
  - 切劑冰泵浦(GRUNDFOFOS 60Hz)  
PUMP, COOLANT  
NV 00033250123
  - 切劑冰泵座(60Hz)  
SEAT, COOLANT PUMP(60HZ)  
NV 000899038A

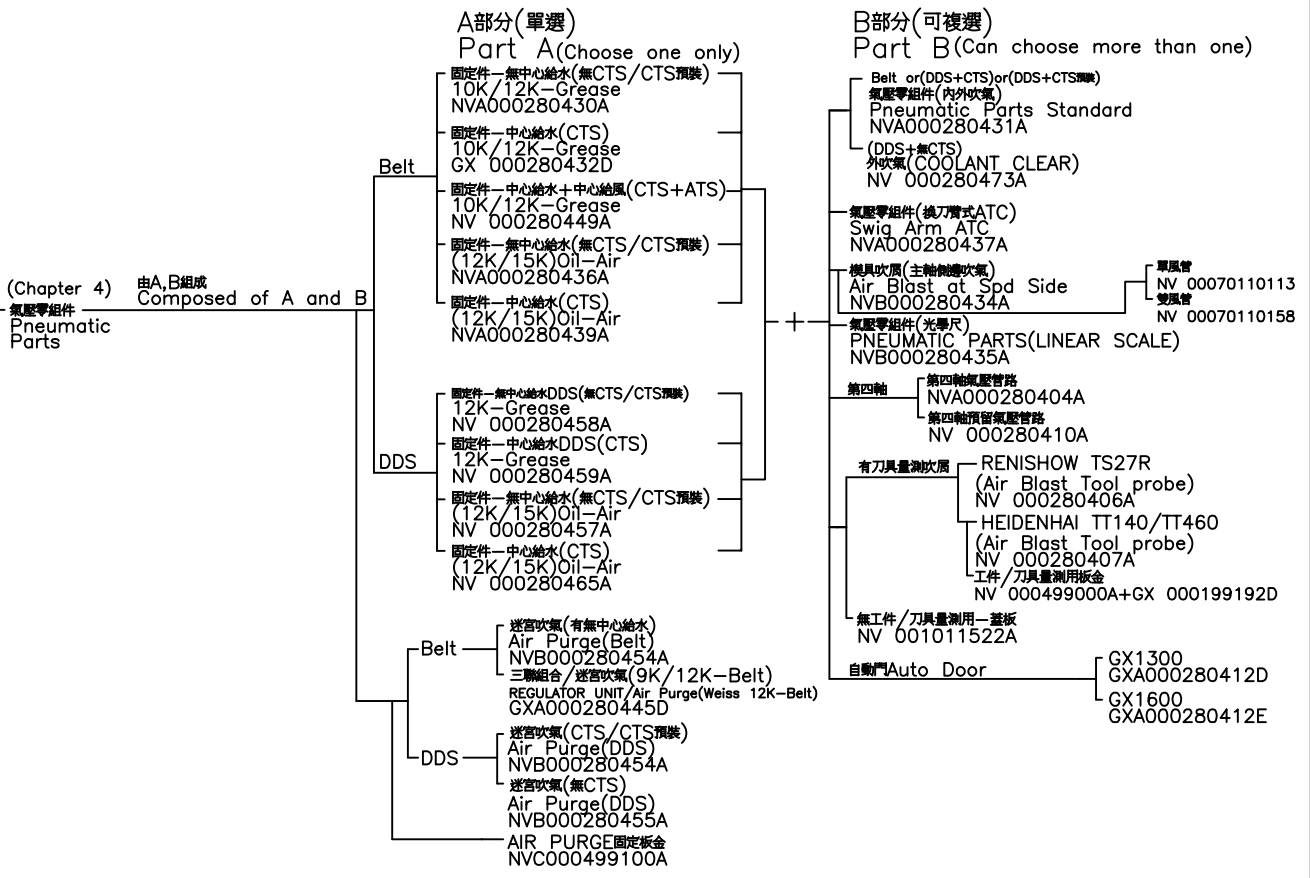
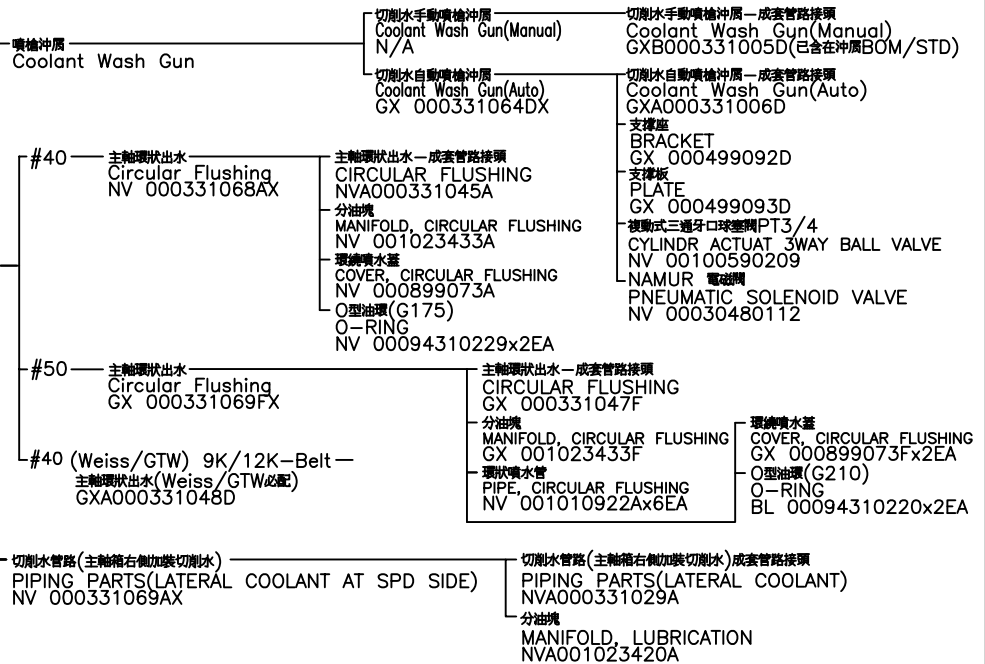
接下頁  
NEXT PAGE

接下頁  
NEXT PAGE

接下頁  
NEXT PAGE

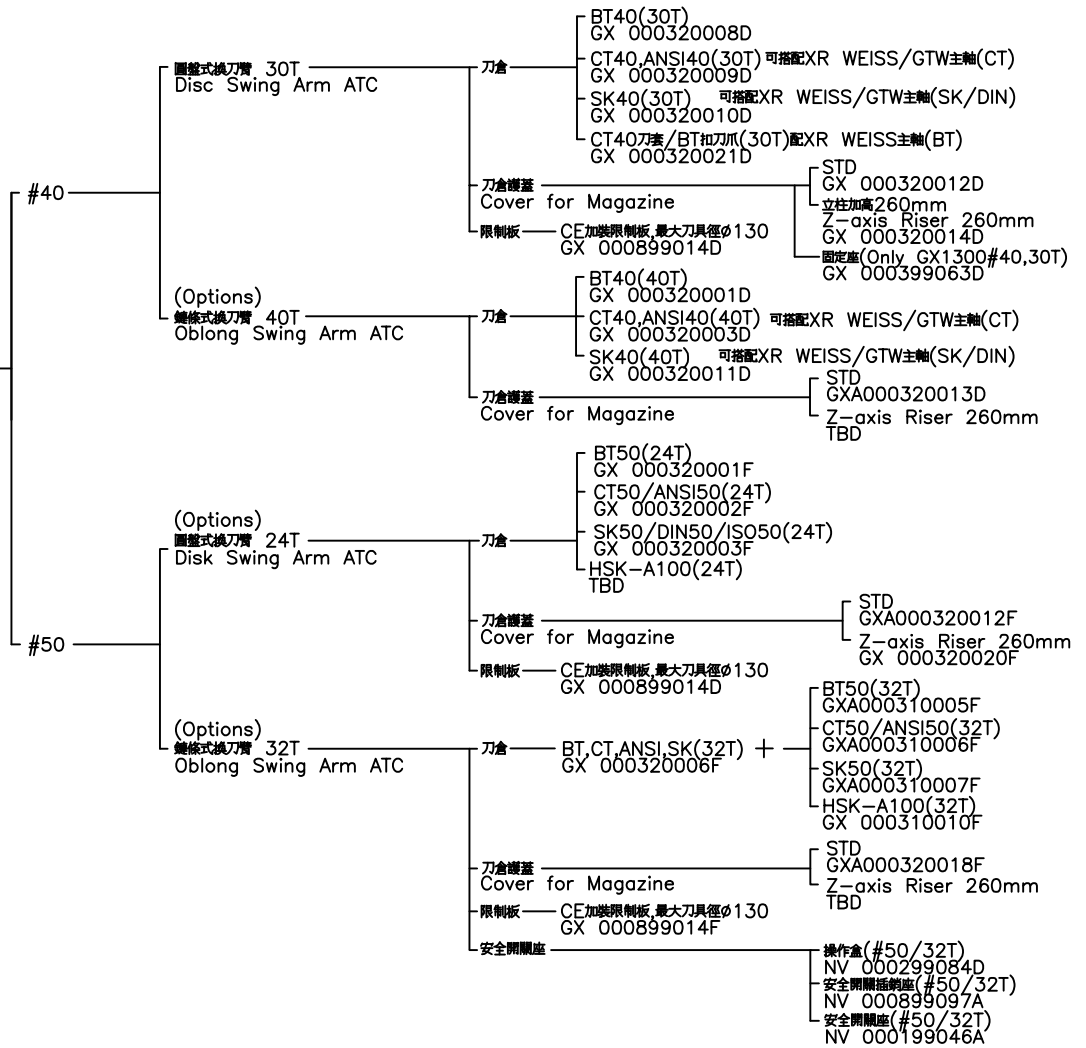
續上頁  
CONTINUE

續上頁  
CONTINUE

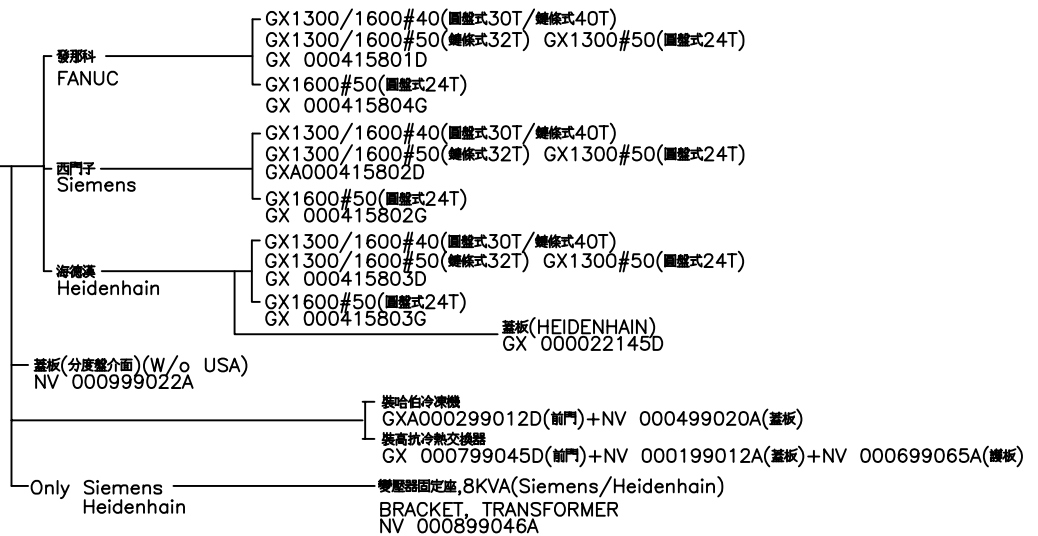


接下頁  
NEXT PAGE

(Chapter 5)  
鋸刀倉  
Magazine



(Chapter 6)  
強電箱  
Power Case



(Chapter 7)

操作箱  
Operator Cabinet

操作桿  
Operator Shaft

- GX 1300
- GX 001045301D
- GX 1600
- GX 001045301E

- 發那科  
Fanuc — GX 001045314D
- 西門子  
Siemens — GXA001045310D
- 海德漢  
Heidenhain — GX 001045311D

- Fanuc — 操作箱活動桿(Fanuc)  
GX 001066116D
- Siemens — 操作箱活動桿(Siemens/Heidenhain)  
GX B001066111D
- Heidenhain

- 蓋板(HEIDENHAIN MPG)  
NV 000199115A
- 蓋板(W/o HEIDENHAIN MPG)  
NV 000199116A

(Chapter 8)

外型板金  
Enclosure Assm.

#40

- GX 1300
  - 圓盤式換刀臂 30T
    - STD — GX 001045313D
    - 加裝自鎖門 — GX 001045313D
    - 加裝自鎖門及光柵 — GX 001045315D
    - 加裝自鎖門及光柵 — GX 001045319D
    - 加裝自鎖門及光柵 — GX 001045322F
    - GX1300 (上滑道)
      - 上滑道(#40/30刀) — GX 000299080D
      - 上滑道(#40/40刀) — GX 000022117D
      - 上滑道(#40/40刀) — GX 000022117D
  - (Options) 鏈條式換刀臂 40T
    - STD — GX 001045318D
    - 加裝自鎖門 — TBD
    - 加裝自鎖門及光柵 — TBD
    - GX1300 (上滑道)
      - 上滑道(#40/30刀) — GX 000299080D
      - 上滑道(#40/40刀) — GX 000022117D
      - 上滑道(#40/40刀) — GX 000022117D

#40

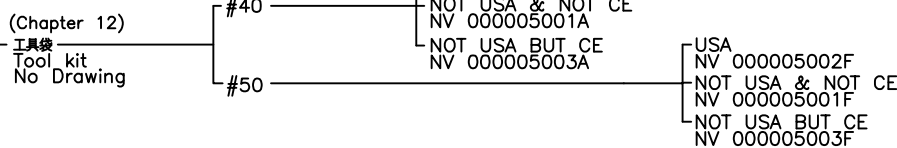
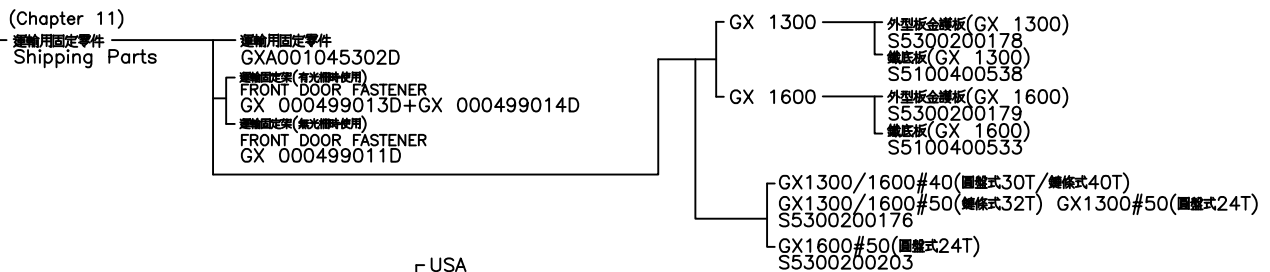
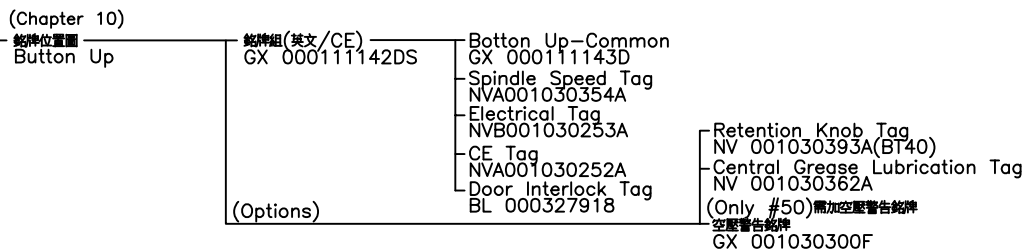
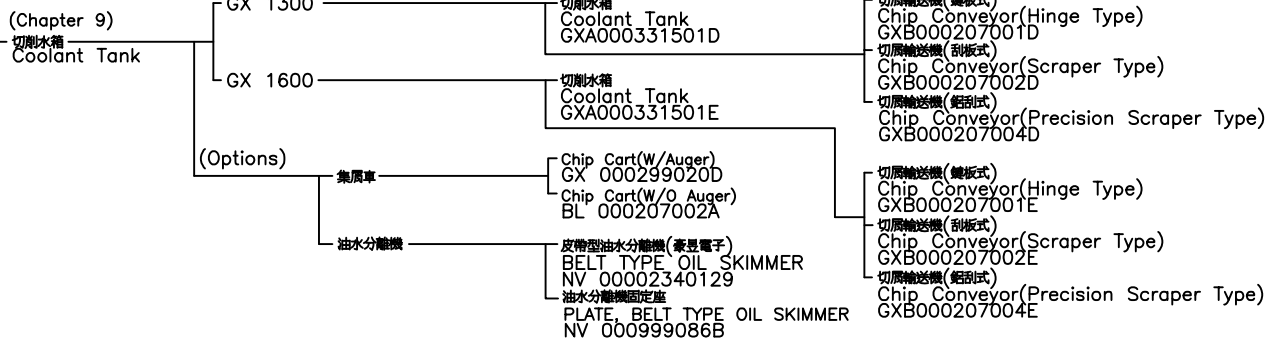
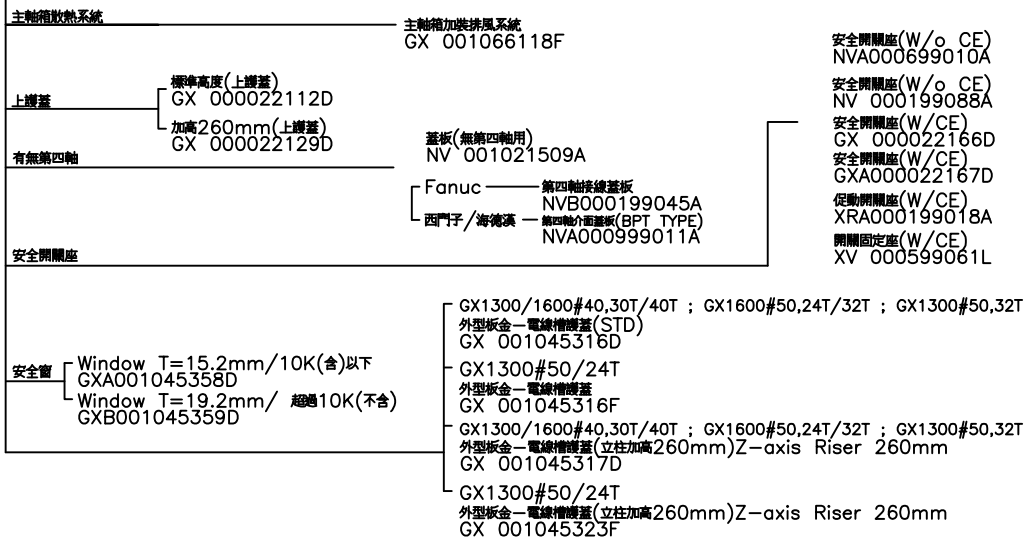
- GX 1600
  - 圓盤式換刀臂 30T
    - STD — GX 001045313E
    - 加裝自鎖門 — TBD
    - 加裝自鎖門及光柵 — TBD
    - GX1600 (上滑道)
      - 上滑道(#40/30刀) — GX 000022105E
      - 上滑道(#40/40刀) — GX 000022117E
      - 上滑道(#40/40刀) — GX 000022117E
  - (Options) 鏈條式換刀臂 40T
    - STD — GX 001045318E
    - 加裝自鎖門 — TBD
    - 加裝自鎖門及光柵 — TBD
    - GX1600 (上滑道)
      - 上滑道(#40/30刀) — GX 000022105E
      - 上滑道(#40/40刀) — GX 000022117E
      - 上滑道(#40/40刀) — GX 000022117E

#50

- GX 1300
  - (Options) 圓盤式換刀臂 24T  
Disk Swing Arm ATC
    - STD — GX 001045318F
    - 加裝自鎖門 — GX 001045318F
    - 加裝自鎖門及光柵 — GX 001045315D
    - 加裝自鎖門及光柵 — GX 001045320F
    - 加裝自鎖門及光柵 — GX 001045315D
    - 加裝自鎖門及光柵 — GX 001045317F
  - (Options) 鏈條式換刀臂 32T  
Oblong Swing Arm ATC
    - STD — GXA001045319F
    - 加裝自鎖門 — GXA001045319F
    - 加裝自鎖門及光柵 — GX 001045315D
    - 加裝自鎖門及光柵 — GX 001045321F
    - 加裝自鎖門及光柵 — GX 001045315D
    - 加裝自鎖門及光柵 — GX 001045322F
- GX 1600
  - (Options) 圓盤式換刀臂 24T  
Disk Swing Arm ATC
    - STD — GXA001045318G
    - 加裝自鎖門 — TBD
    - 加裝自鎖門及光柵 — GX 001045315E
    - 加裝自鎖門及光柵 — TBD
  - (Options) 鏈條式換刀臂 32T  
Oblong Swing Arm ATC
    - STD — GX 001045319G
    - 加裝自鎖門 — TBD
    - 加裝自鎖門及光柵 — GX 001045315E
    - 加裝自鎖門及光柵 — TBD

續上頁  
CONTINUE

續上頁  
CONTINUE



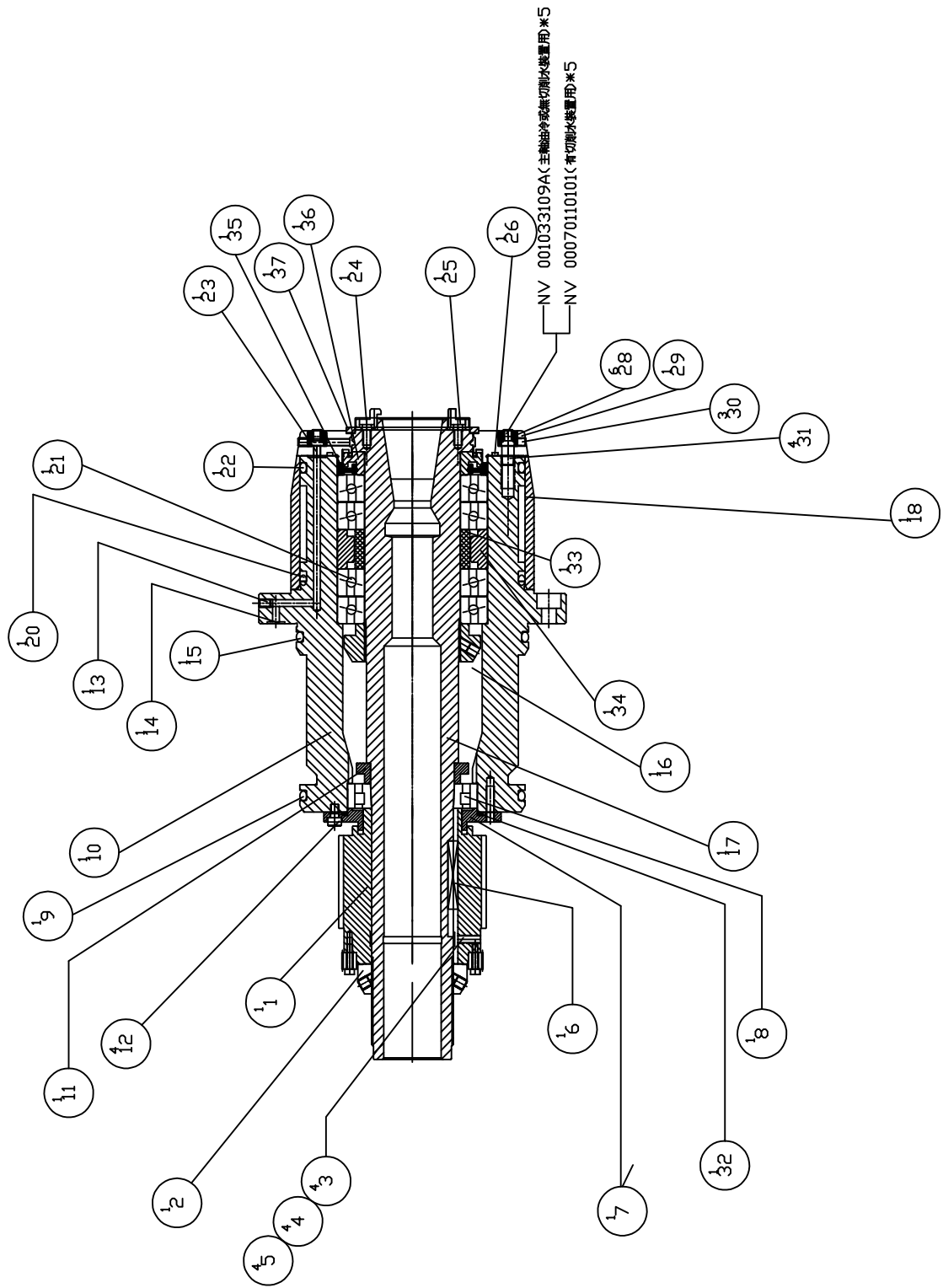
END

# Chapter 1

主軸箱

Headstock

REV	DESCRIPTION	DATE	ECN
A	初版	2012/7/25	1003115
B	#37 NV 00101639A<NVAD011639A>#36/4/28/1004084	2016/4/28	1004084



MODEL: GX 1300/1600	
PART NAME	PART NUMBER
CARTRIDGE(10K-RPM W/ GREASE,BBT)	GXA000015707D
主軸套靴(10K-RPM W/ GREASE,BBT)	PAGE 1 OF 1
DATE 2012/7/25	REV. B
SCALE 1:5	



\*\*\*\*\*  
PRODUCT BOM MASTER AND SUB-ITEMS LIST  
\*\*\*\*\*

Master Item Part NO.: GXA000015707D

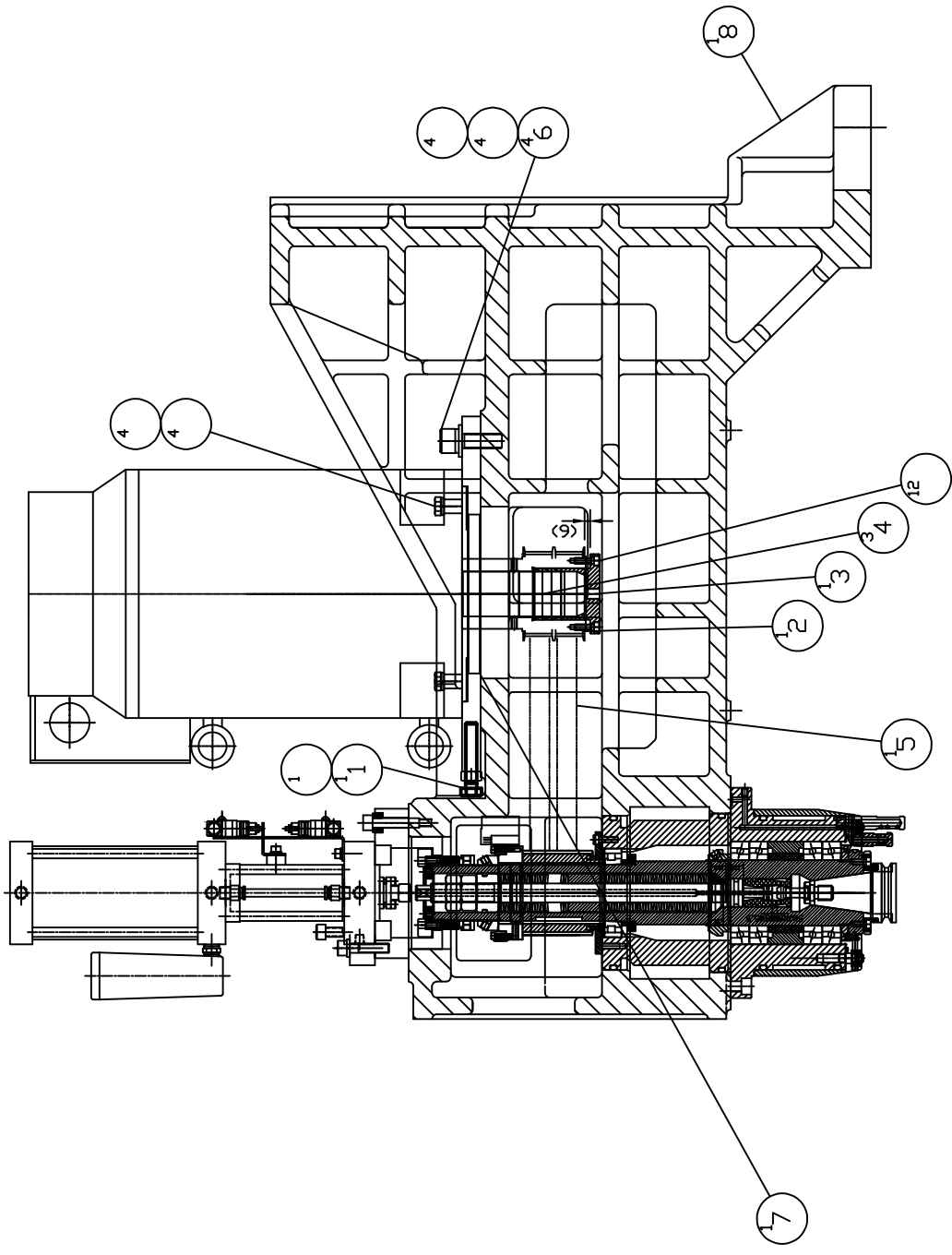
Description: BBT CARTRIDGE(10K-RPM)  
BBT 主軸套筒(10K-RPM)

Item	Part NO.	Description	中文名稱	Specification	Qty	Unit
1.03	GX 000317711D	PULLEY, SPINDLE(10K,FANUC A22	主軸齒帶輪(10K,FANUC A22/A15)	D108.1XD60XL114	1.00	EA
2.00	NV 000049204A	LOCKNUT	鎖緊螺帽(MF60)研磨級	[SHIANG KAJI]M60X2(GRINDING)	1.00	EA
3.00	MS 0553614	SOC SET, CUP POINT	杯型端固定螺絲	M6XP1.0XL8	4.00	EA
4.00	MS 0553616	SOC SET, CUP SCREW	杯型端固定螺絲	M6XP1.0XL12	4.00	EA
5.00	MS 0553617	SOC SET, CUP SCREW	杯型端固定螺絲	M6XP1.0XL16	4.00	EA
6.01	NV 00061150118	SUNK KEY	(雙圓頭鍵)平行鍵	L70XW8XH7(JIS-)	1.00	EA
7.00	GX 001011508D	COVER	軸蓋	D30XD73XL16	1.00	EA
8.01	NV 00002660202	BEARING, SPINDLE(10K-RPM)	主軸滾筒軸承(10K-RPM)	[NSK] N1012BT8KRCC1P4	1.00	EA
9.01	NV 00094310517	O-RING	O型油環(NOK)	(JIS)G155(NOK)	1.00	EA
10.03	NVB0000405210A	HOUSING, SPINDLE	軸承套	D225XD88XL261	1.00	EA
11.00	NV 000179901A	SPACER, SPINDLE	後間隔圈	D82XD61.5XL14.8	1.00	EA
12.00	MS 0103617	SOCKET HEAD CAP SCREW	六角穴圓頭螺絲	M6XP1.0XL16	4.00	EA
13.00	MS 0553614	SOC SET, CUP POINT	杯型端固定螺絲	M6XP1.0XL8	1.00	EA
14.00	NV 00094310102	O-RING	O型油環	[JIS] P10	1.00	EA
15.00	NV 00094310203	O-RING	O型油環	[JIS] G160	1.00	EA
16.00	NV 000049216A	LOCKNUT	鎖緊螺帽	[HSIANG KAJI]M70X2	1.00	EA
17.00	NV 000028310A	SPINDLE(BBT 10K RPM)	主軸(BBT 10K RPM)	D88.87XD30XL469	1.00	EA
18.10	NVB000048115A	BUSHING	襯套	D178XD165XL95	1.00	EA
20.01	NV 00094310517	O-RING	O型油環(NOK)	(JIS)G155(NOK)	1.00	EA

\*\*\*\*\*  
**PRODUCT BOM MASTER AND SUB-ITEMS LIST**  
 \*\*\*\*\*

Item	Part NO.	Description	中文名稱	Specification	Qty	Unit
21.01	NV 00002660139	BEARING, SPINDLE	主軸陶瓷斜角滾珠軸承(4個/1組)	[NSK] 70BER10HTYNDBBCA10P4	1.00	ST
22.01	NV 00094310517	O-RING	O型油環(NOK)	(JIS)G155(NOK)	1.00	EA
23.00	NV 00094310102	O-RING	O型油環	[JIS] P10	1.00	EA
24.01	NVB000753315A	KEY, SPINDLE	鍵	L15.86XW15.2XH13.5	1.00	EA
25.01	NVB000753314A	KEY, SPINDLE	鍵	L15.86XW15.2XH13.5	1.00	EA
26.01	NV 00094310516	O-RING	O型油環	(JIS)G120(NOK)	1.00	EA
28.00	MS 0104019	SOCKET HEAD CAP SCREW	六角六圓頭螺絲	M10XP1.5XL25	6.00	EA
29.01	NVB001011624A	COVER(DDS)	前蓋#40(DDS AND BELT SPINDLE)	D169.4XD89XH23.7	1.00	EA
30.00	MS 0553614	SOC SET, CUP POINT	杯型端固定螺絲	M6XP1.0XL8	3.00	EA
31.00	NV 00077031701	PLUG, SOCKET HEX.	塞頭	PT1/8	4.00	EA
32.00	NV 00094310205	O-RING	O型油環	[JIS] G95	1.00	EA
33.01	NVB000179988A	INTERNAL SPACER, SPINDLE	內間隔圈	D84XD70XL27.9	1.00	EA
34.01	NVB000179987A	EXTERNAL SPACER, SPINDLE	外間隔圈	D110XD85XL28	1.00	EA
35.00	NV 000179995A	EXTERNAL SPACER, SPINDLE	外間隔圈	D110XD80.3XL10	1.00	EA
36.01	NV 000179994A	INTERNAL SPACER, SPINDLE	內間隔圈	D102.2XD70XL18	1.00	EA
37.02	NVA001011639A	WATERPROOF	防水蓋	D101XD66.8XH4	1.00	EA

REV	DESCRIPTION	DATE	ECN
A	新仕様	2006/8/10	185



MODEL: GX 1300#40/1600#40	
PART NAME	PART NUMBER
SPINDLE TRANSMISSION(Fanuc A15/10K)	GX 000000208D
主轴传动(Fanuc A15/10K)	PAGE 1 DF 1
DATE 2006/9/12	REV. A
DESIGNER	SCALE 1:8

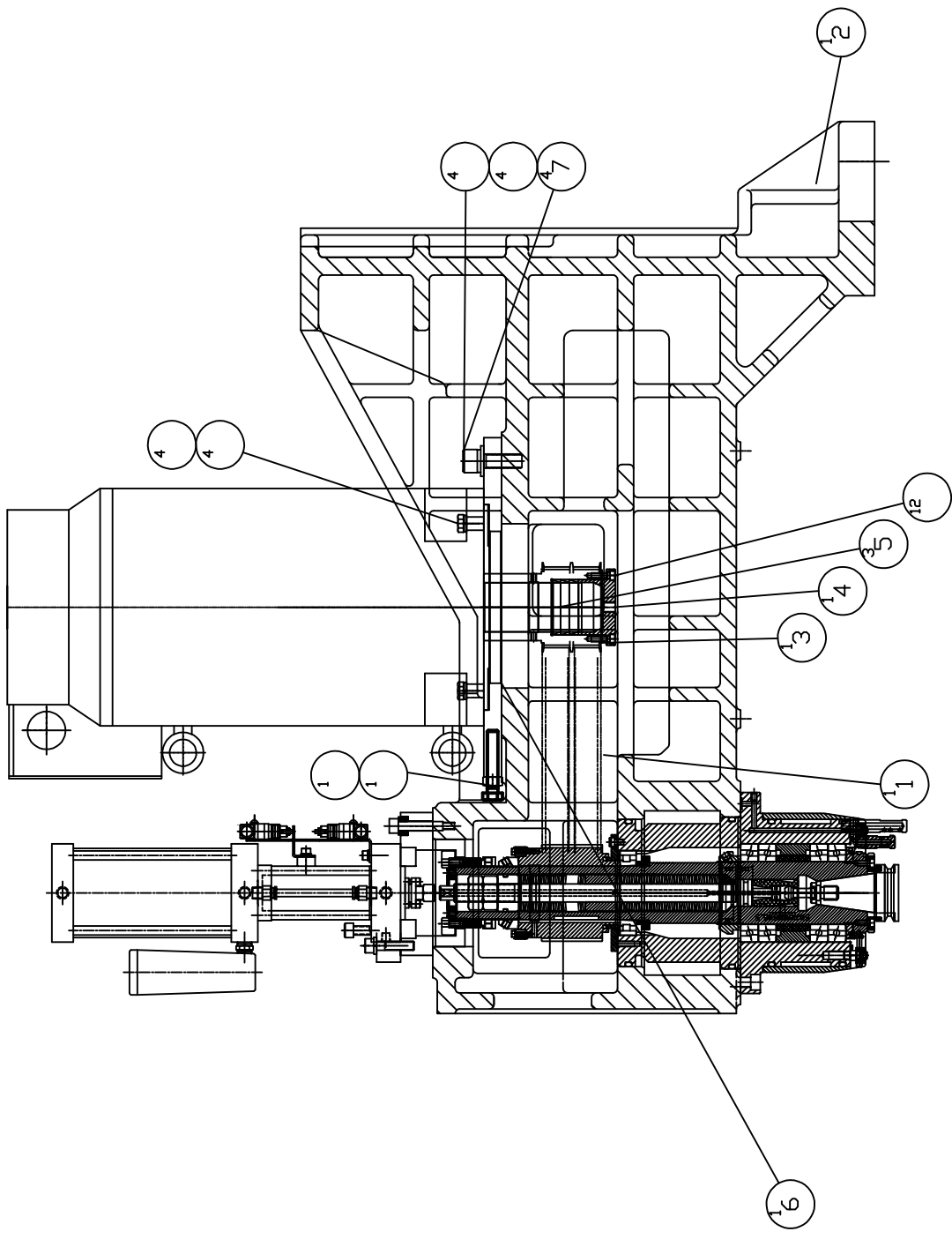
PRODUCT BOM MASTER AND SUB-ITEMS LIST  
\*\*\*\*\*

Master Item Part NO.: GX 000000208D

Description: SPINDLE TRANSMISSION(A15/10K)  
主軸傳動(FANUC A15/10K)

Item	Part NO.	Description	中文名稱	Specification	Qty	Unit
1.00	MS 0154228	HEX HD. FULL THD	六角頭螺絲	M12XP1.75XL70, ST12.9	1.00	EA
2.02	GX 000317706D	PULLEY, MOTOR(8.2K/12K,FANUC)	馬達齒帶輪(ALPHA15/1PH8133)	D101.8XD55XL132.5(36T)	1.00	EA
3.02	GX 000981301D	RETAINER, MOTOR PULLEY	馬達齒帶輪固定環	D85XD48.2XL29.5	1.00	EA
4.00	GX 00098132602	KEYLESS CONNECTION	錐形環鍵	SC-48(D48XD55XL10)	3.00	ST
5.00	GX 00033460104	TIMING BELT(A 15, A 22/10K)	齒形皮帶(A 15, A 22/10K)	[CONTIJ960-S8M-50MM(25+25)CXP	1.00	EA
6.00	NV 000399055A	PLATE	墊塊(M16 WASHER)(K7)	D Φ32XD Φ16.5XT6(M16 WASHER)(K7)	4.00	EA
8.06	GX 000026400D	HEADSTOCK	主軸箱	L1004XW654XH653	1.00	EA

REV	DESCRIPTION	DATE	ECN
A	REVISED	2006/11/22	282



MODEL: GX 1300#40/1600#40	
PART NUMBER	GX 000000207D
SPINDLE TRANSMISSION(Fanuc A22/10K)	主軸傳動(Fanuc A22/10K)
PAGE 1 OF 1	REV. A
DATE 2006/11/22	SCALE 1:8

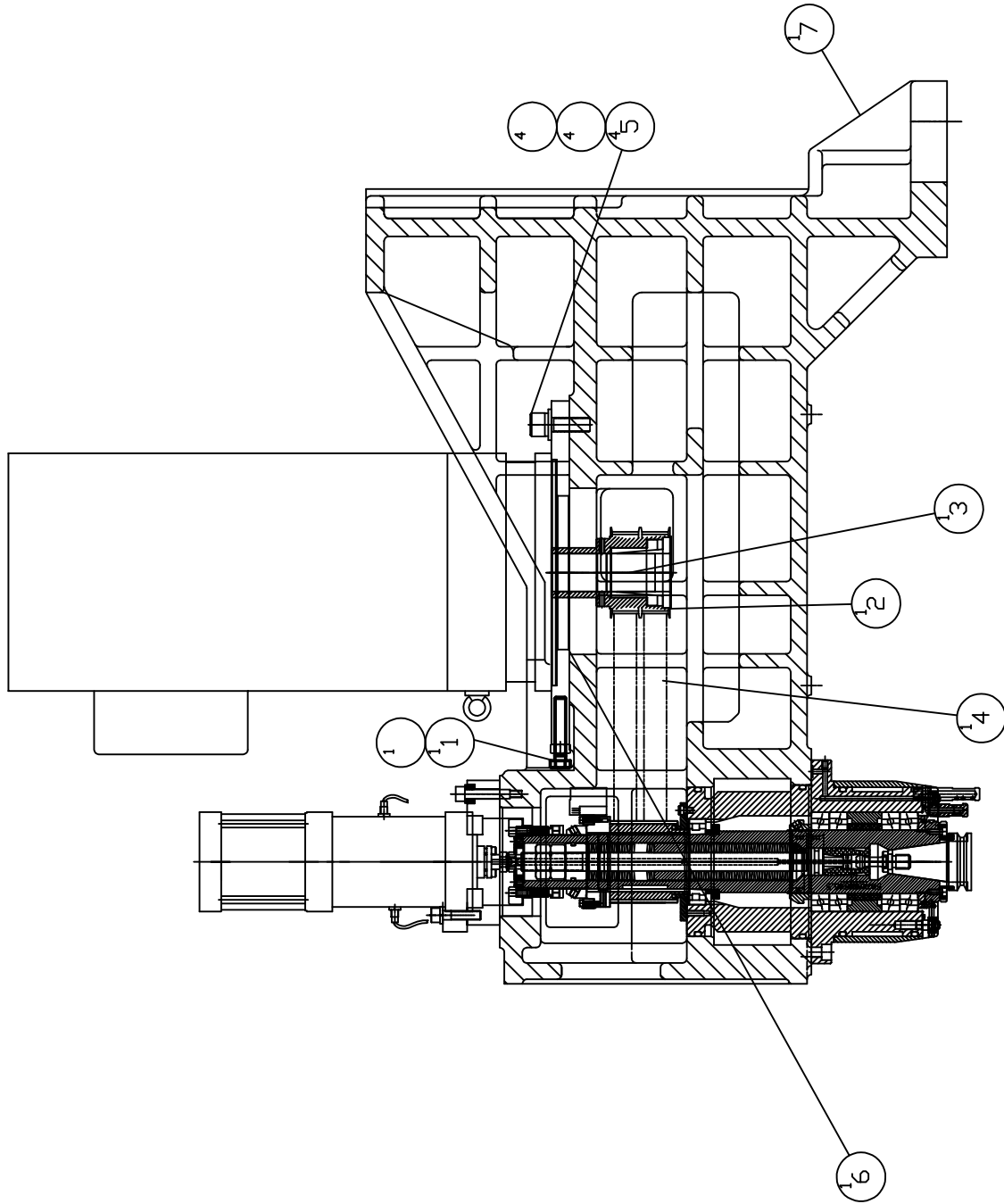
PRODUCT BOM MASTER AND SUB-ITEMS LIST  
\*\*\*\*\*

Master Item Part NO.: GX 000000207D

Description: SPINDLE TRANSMISSION(A22/10K)  
主軸傳動(FANUC A22/10K)

Item	Part NO.	Description	中文名稱	Specification	Qty	Unit
1.00	GX 00033460104	TIMING BELT(A 15, A 22/10K)	齒形皮帶(A 15, A 22/10K)	[CONTI]960-S8M-50MM(25+25)CXP	1.00	EA
2.08	GX 000026400D	HEADSTOCK	主軸箱	L1004XW654XH653	1.00	EA
3.03	GX 000317704D	PULLEY, MOTOR(8.2K/12K,FANUC)	馬達齒帶輪(8.2K/12K,FANUC A 22)	D101.8XD55XL132.5(36T)	1.00	ST
4.02	GX 000981300D	RETAINER, MOTOR PULLEY	馬達齒帶輪固定環	D85XD55.2XL39.5	1.00	ST
5.00	GX 00098132601	KEYLESS CONNECTION	錐形環鍵	SC-55(D55XD62XL10)	3.00	ST
7.00	NV 000399055A	PLATE	墊塊(M16 WASHER)(K7)	D Φ32XD Φ16.5XT6(M16 WASHER)(K7)	4.00	EA

REV	DESCRIPTION	DATE	ECN
A		2007/4/24	510



MODEL: GX 1300#40/1600#40		PART NUMBER	
SPINDLE TRANSMISSION(K&SIE 10K)		GX 000000211D	
主轴传动(K&SIE 10K)		PAGE 1 OF 1	
DATE 2007/4/24	DATE 2007/4/24	SCALE 1:8	REV. A

PRODUCT BOM MASTER AND SUB-ITEMS LIST  
\*\*\*\*\*

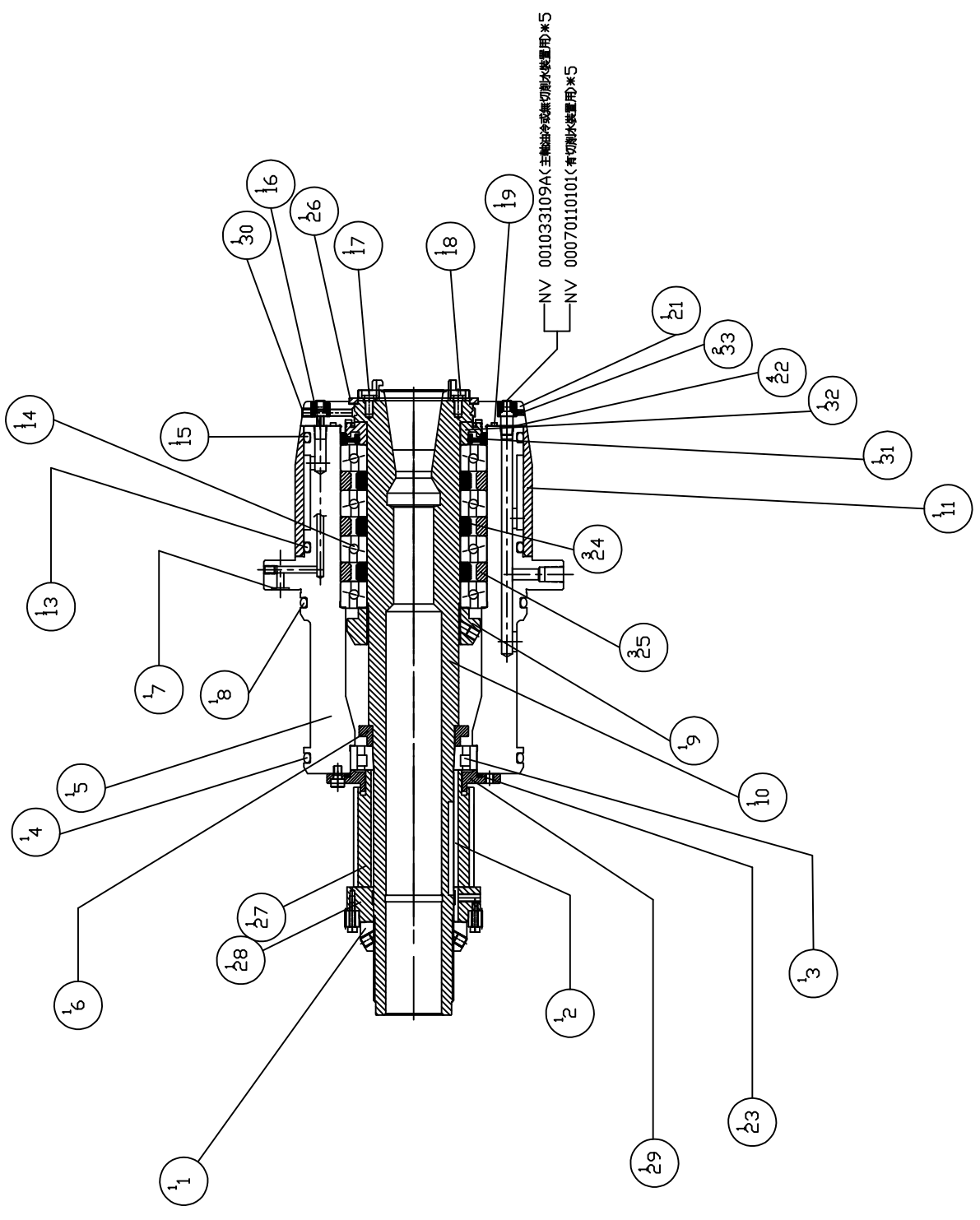
Master Item Part NO.: GX 000000211D

Description: SPINDLE TRANSMISSION(10K)  
主軸傳動(HEIDENHAIN&SIEMENS 10K)

Item	Part NO.	Description	中文名稱	Specification	Qty	Unit
1.00	MS 0154228	HEX HD. FULL THD	六角頭螺絲	M12XP1.75XL70, ST12.9	1.00	EA
2.01	GX 000317716D	PULLEY,MOTOR(10K/12K,HEI&SIE)	馬達齒帶輪(10K/12K,HEI&SIE)	D100XD42XL132.5(36T)	1.00	EA
3.00	GX 00098132604	KEYLESS CONNECTION	錐形環鍵	[仕勳]SB-42(不含隔環)	1.00	ST
4.00	GX 00033460104	TIMING BELT(A 15, A 22/10K)	齒形皮帶(A 15, A 22/10K)	[CONT]J960-S8M-50MM(25+25)CXP	1.00	ST
5.00	NV 000399055A	PLATE	墊塊(M16 WASHER)(K7)	D Φ32XD Φ16.5XT6(M16 WASHER)(K7)	4.00	EA
7.06	GX 000026400D	HEADSTOCK	主軸箱	L1004XW654XH653	1.00	EA



REV	DESCRIPTION	DATE	ECN
A	新設計	2012/7/25	1003115
B	#25 NV 001033109A<主軸密封或無切削劑水邊量用>※5	2016/4/28	1004084



MODEL: GX 1300#40/ GX 1600#40	PART NUMBER	GXB000015705D
PART NAME	BBT CARTRIDGE(12K-RPM W/GREASE)	
PAGE 1 OF 1	BBT 主軸密封(12K-RPM W/GREASE)	
DATE 2012/7/25	SCALE 1:5	REV. B

PRODUCT BOM MASTER AND SUB-ITEMS LIST  
\*\*\*\*\*

Master Item Part NO.: GXB000015705D

Description: BBT CARTRIDGE(12K-RPM W/GREASE

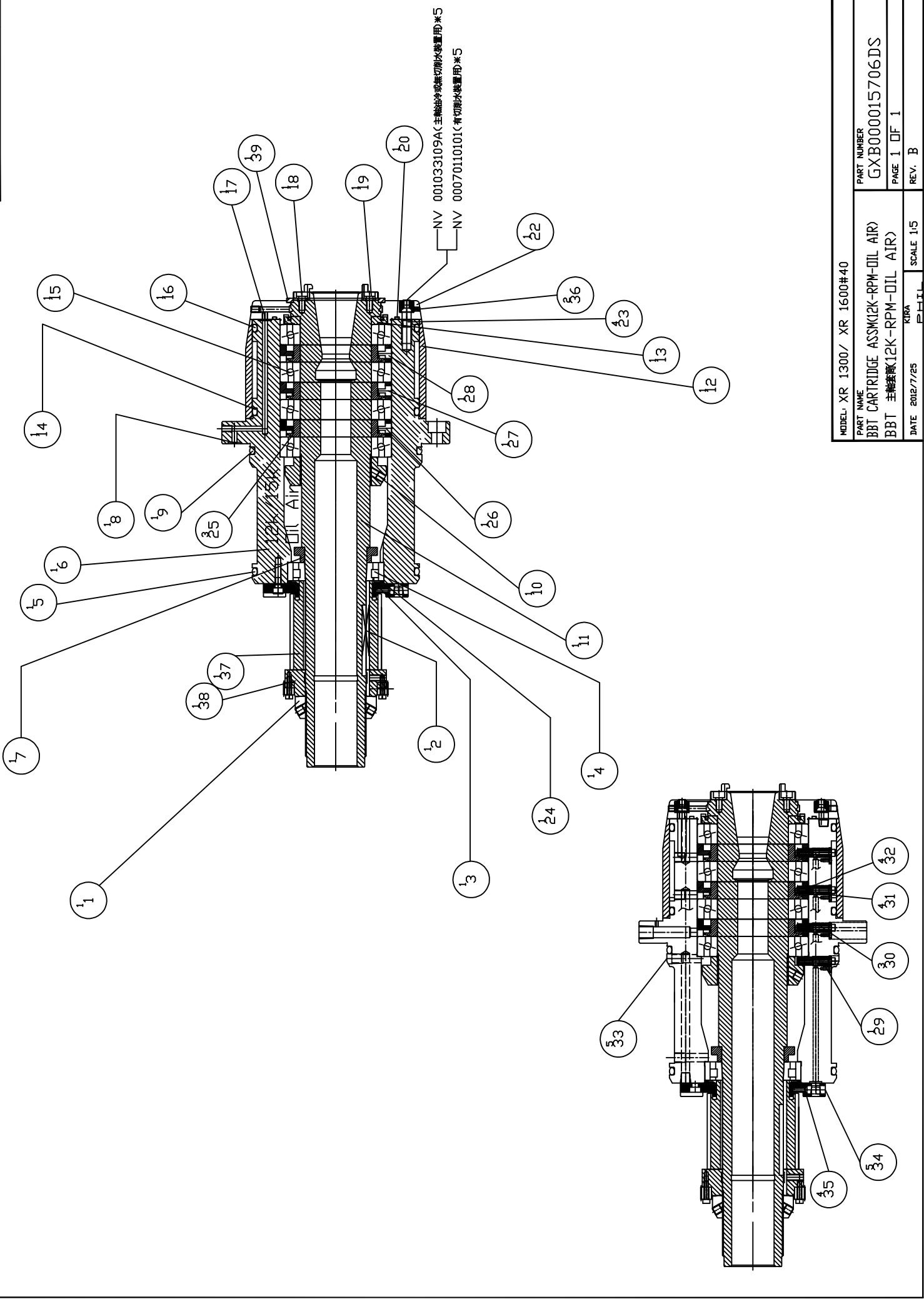
BBT主軸套筒(12K-RPM W/GREASE)、三迷宮

Item	Part NO.	Description	中文名稱	Specification	Qty	Unit
1.00	NV 000049204A	LOCKNUT	鎖緊螺帽(MF60)研磨級	[SHIANG KAI]M60X2(GRINDING)	1.00	EA
2.01	NV 00061150118	SUNK KEY	(雙圓頭鍵)平行鍵	L70XW8XH7(JIS-)	1.00	EA
3.00	NV 00002660224	REAR BEARING, 12K GREASE SPIND	主軸滾筒軸承(12K/GREASE)	[NSK] N1012RXTPKRCC0P4Y (RIGIN	1.00	EA
4.01	NV 00094310517	O-RING	O型油環(NOK)	(JIS)G155(NOK)	1.00	EA
5.02	NVA000405209A	HOUSING, SPINDLE	軸承套	D225XD88XL261	1.00	EA
6.00	NV 000179901A	SPACER, SPINDLE	後間隔圈	D82XD61.5XL14.8	1.00	EA
7.00	NV 00094310102	O-RING	O型油環	[JIS] P10	1.00	EA
8.00	NV 00094310203	O-RING	O型油環	[JIS] G160	1.00	EA
9.00	NV 000049216A	LOCKNUT	鎖緊螺帽	[HSIANG KAI]M70X2	1.00	EA
10.01	NVB000028303A	SPINDLE(BBT)	主軸#40(BBT)	D88.87XD30XL469	1.00	EA
11.10	NVB000048115A	BUSHING	襯套	D178XD165XL95	1.00	EA
13.01	NV 00094310517	O-RING	O型油環(NOK)	(JIS)G155(NOK)	1.00	EA
14.01	NV 00002660139	BEARING, SPINDLE	主軸陶瓷斜角滾珠軸承(4個/1組)	[NSK] 70BER10HTYNDBBCA10P4	1.00	ST
15.01	NV 00094310517	O-RING	O型油環(NOK)	(JIS)G155(NOK)	1.00	EA
16.00	NV 00094310102	O-RING	O型油環	[JIS] P10	1.00	EA
17.01	NVB000753315A	KEY, SPINDLE	鍵	L15.86XW15.2XH13.5	1.00	EA
18.01	NVB000753314A	KEY, SPINDLE	鍵	L15.86XW15.2XH13.5	1.00	EA
19.01	NV 00094310516	O-RING	O型油環	(JIS)G120(NOK)	1.00	EA
21.01	NVB001011624A	COVER(DDS)	前蓋#40(DDS AND BELT SPINDLE)	D169.4XD89XH23.7	1.00	EA

\*\*\*\*\*  
PRODUCT BOM MASTER AND SUB-ITEMS LIST  
\*\*\*\*\*

Item	Part NO.	Description	中文名稱	Specification	Qty	Unit
22.00	NV 00077031701	PLUG, SOCKET HEX.	塞頭	PT1/8	4.00	EA
23.00	NV 00094310205	O-RING	O型油環	[JIS] G95	1.00	EA
24.01	NVA000179939A	INTERNAL SPACER, SPINDLE	內間隔圈	D110XD94XL14.2	3.00	EA
25.01	NVA000179938A	EXTERNAL SPACER, SPINDLE	外間隔圈	D110XD94XL14.2	3.00	EA
26.02	NVA001011639A	WATERPROOF	防水蓋	D101XD66.8XH4	1.00	EA
27.00	GX 000317702D	PULLEY, SPINDLE(12K/15K, FANUC)	主軸齒帶輪(12K/15K, FANUC A 22/A 15)	D91.7XD60XL88(36T)	1.00	EA
28.00	GX 000317703D	SEAT, SPINDLE ENCODER GEAR	檢測齒輪座(12K/15K)	LD100XD60XL26	1.00	EA
29.00	GX 001011508D	COVER	軸蓋	D30XD73XL16	1.00	EA
30.00	MS 0553614	SOC SET, CUP POINT	杯型端固定螺絲	M6XP1.0XL8	1.00	EA
31.00	NV 000179995A	EXTERNAL SPACER, SPINDLE	外間隔圈	D110XD80.3XL10	1.00	EA
32.00	NV 000179994A	INTERNAL SPACER, SPINDLE	內間隔圈	D102.2XD70XL18	1.00	EA
33.00	NV 000668423A	SET SCREW	固定螺絲	M4XP0.5XD1.5	1.00	EA

REV	DESCRIPTION	DATE	ECN
A	202/7/25	202/7/25	1003115
B	202/7/25	202/7/25	1004084



MODEL: XR 1300/ XR 1600#40	PART NUMBER
PART NAME	GXB000015706DS
BBT CARTRIDGE ASSM(12K-RPM-OIL AIR)	PAGE 1 OF 1
BBT 主軸油浄(12K-RPM-OIL AIR)	REV. B
DATE 2012/7/25	SCALE 1:5
KIRA	FILE

# PRODUCT BOM MASTER AND SUB-ITEMS LIST

\*\*\*\*\*

Master Item Part NO.: GXB000015706DS

Description: BBT CARTRIDGE(12K-RPM/OIL-AIR)

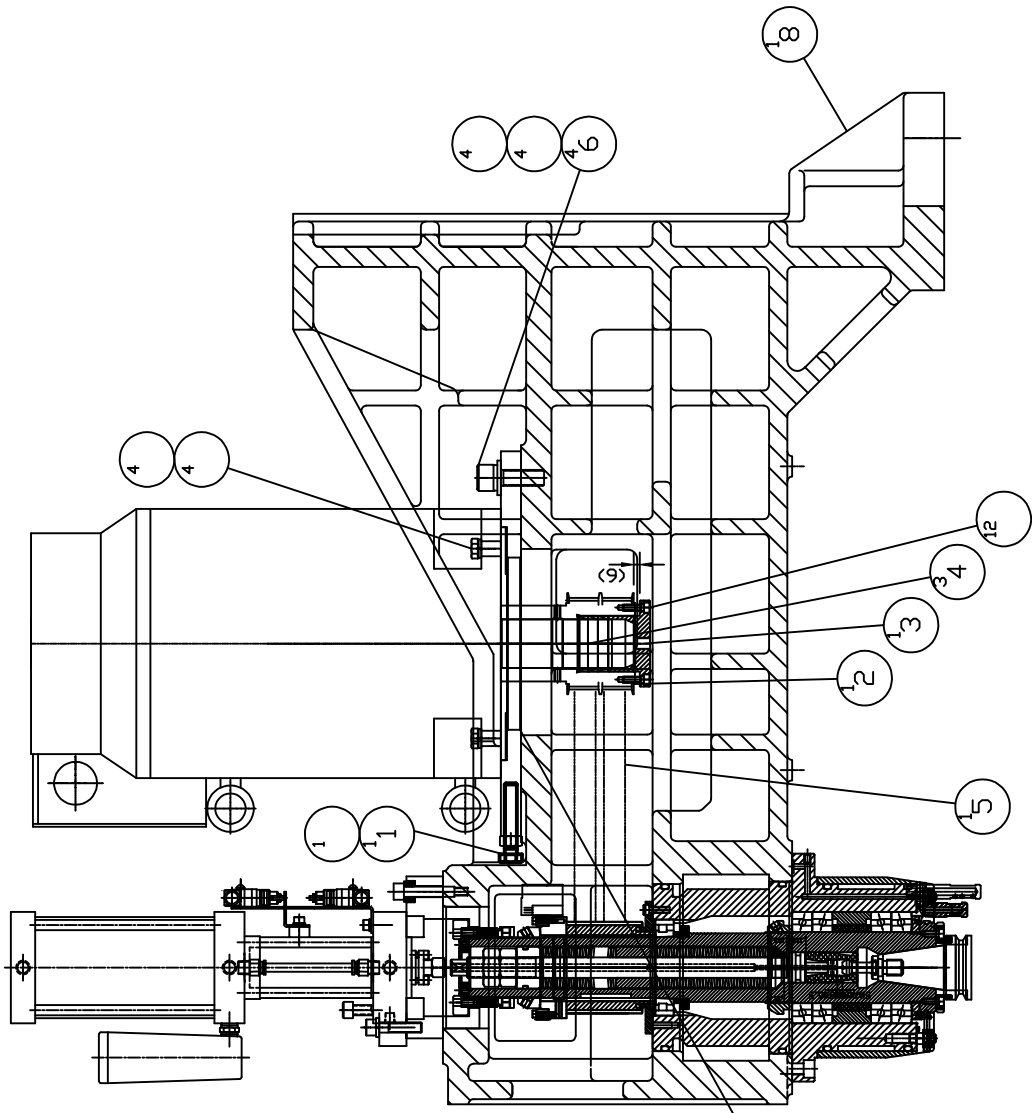
BBT主軸套筒(12K-RPM-OIL AIR)、三迷宮

Item	Part NO.	Description	中文名稱	Specification	Qty	Unit
1.00	NV 000049204A	LOCKNUT	鎖緊螺帽(MF60)研磨級	[SHIANG KAJ]M60X2(GRINDING)	1.00	EA
2.00	NV 00061150118	SUNK KEY	(雙圓頭鍵)平行鍵	L70XW8XH7(JIS-)	1.00	EA
3.00	NV 001011553A	COVER	軸蓋	D143XD73XL16	1.00	EA
4.00	NV 00002660203	BEARING, SPINDLE(12K-RPM)	主軸滾筒軸承(12K-RPM)	[SKF] N1012 KTNHA/HC5SPVR592	1.00	EA
5.00	NV 00094310517	O-RING	O型油環(NOK)	(JIS)G155(NOK)	1.00	EA
6.02	NVA000405202A	HOUSING, SPINDLE	軸承套	D225XD88XL261	1.00	EA
7.00	NV 000179901A	SPACER, SPINDLE	後間隔圈	D82XD61.5XL14.8	1.00	EA
8.00	NV 00094310102	O-RING	O型油環	[JIS] P10	1.00	EA
9.00	NV 00094310203	O-RING	O型油環	[JIS] G160	1.00	EA
10.00	NV 000049216A	LOCKNUT	鎖緊螺帽	[HSIANG KAJ]M70X2	1.00	EA
11.01	NVB000028303A	SPINDLE(BBT)	主軸#40(BBT)	D88.87XD30XL469	1.00	EA
12.10	NVB000048115A	BUSHING	襯套	D178XD165XL95	1.00	EA
13.01	NVA000179986A	SPACER, SPINDLE	間隔圈	D102XD70XL8	1.00	EA
14.00	NV 00094310517	O-RING	O型油環(NOK)	(JIS)G155(NOK)	1.00	EA
15.00	NV 00002660112	BEARING, SPINDLE	主軸斜角滾珠軸承	[SKF] 7014 ACETNH/HCQBCA VQ126	1.00	ST
16.01	NV 00094310517	O-RING	O型油環(NOK)	(JIS)G155(NOK)	1.00	EA
17.00	NV 00094310102	O-RING	O型油環	[JIS] P10	1.00	EA
18.01	NVB000753315A	KEY, SPINDLE	鍵	L15.86XW15.2XH13.5	1.00	EA
19.01	NVB000753314A	KEY, SPINDLE	鍵	L15.86XW15.2XH13.5	1.00	EA

\*\*\*\*\*  
PRODUCT BOM MASTER AND SUB-ITEMS LIST  
\*\*\*\*\*

Item	Part NO.	Description	中文名稱	Specification	Qty	Unit
20.01	NV 00094310516	O-RING	O型油環	(JIS)G120(NOK)	1.00	EA
22.01	NVB001011624A	COVER(DDS)	前蓋#40(DDS AND BELT SPINDLE)	D169.4XD89XH23.7	1.00	EA
23.00	NV 00077031701	PLUG, SOCKET HEX.	塞頭	PT1/8	4.00	EA
24.00	NV 00094310205	O-RING	O型油環	[JIS] G95	1.00	EA
25.00	NV 000179924A	INTERNAL SPACER, SPINDLE	內間隔圈	D95.97XD70XL17	3.00	EA
26.00	NV 000179921A	EXTERNAL SPACER, SPINDLE	外間隔圈	D110XD84.03XL17	1.00	EA
27.00	NV 000179922A	EXTERNAL SPACER, SPINDLE	外間隔圈	D110XD84.03XL17	1.00	EA
28.00	NV 000179923A	EXTERNAL SPACER, SPINDLE	外間隔圈	D110XD84.03XL17	1.00	EA
29.00	NVA001023402A	INJECTOR, SPINDLE	噴油嘴	D15XD8XL32.9	1.00	EA
30.00	NVA001023403A	INJECTOR, SPINDLE	噴油嘴	D15.5XD8XL32.9	3.00	EA
31.00	NV 00094310207	O-RING	O型油環	[NOK] S7	4.00	EA
32.00	NV 00094310206	O-RING	O型油環	[NOK] S6	4.00	EA
33.00	NV 00077031701	PLUG, SOCKET HEX.	塞頭	PT1/8	5.00	EA
34.00	NV 00077031801	ELBOW, BRASS 90DEG MALE&FEMALE	直角接頭(銅)	PT1/8"XM10(論興:GB0006M01T)	5.00	EA
35.00	NV 00094310118	O-RING	O型油環	[JIS] P9	4.00	EA
36.00	NV 000668423A	SET SCREW	固定螺絲	M4XP0.5XD1.5	2.00	EA
37.05	GX 000317702D	PULLEY, SPINDLE(12K/15K, FANUC)	主軸齒帶輪(12K/15K, FANUC A 22/A 15)	D91.7XD60XL88(36T)	1.00	ST
38.01	GX 000317703D	SEAT, SPINDLE ENCODER GEAR	檢測齒輪座(12K/15K)	LD100XD60XL26	1.00	ST
39.02	NVA001011639A	WATERPROOF	防水蓋	D101XD66.8XH4	1.00	EA

REV	DESCRIPTION	DATE	ECN
A	新仕様	2006/8/10	185



NV 001065104D  
 3000000 (BF/ANUC (12))

MODEL: GX 1300#40/1600#40	
PART NAME	PART NUMBER
SPINDLE TRANSMISSIONFanuc A15/12K	GX 000000205D
主軸傳動Fanuc A15/12K	PAGE 1 OF 1
DATE 2006/9/12	REV. A
SCALE 1:8	

PRODUCT BOM MASTER AND SUB-ITEMS LIST  
\*\*\*\*\*

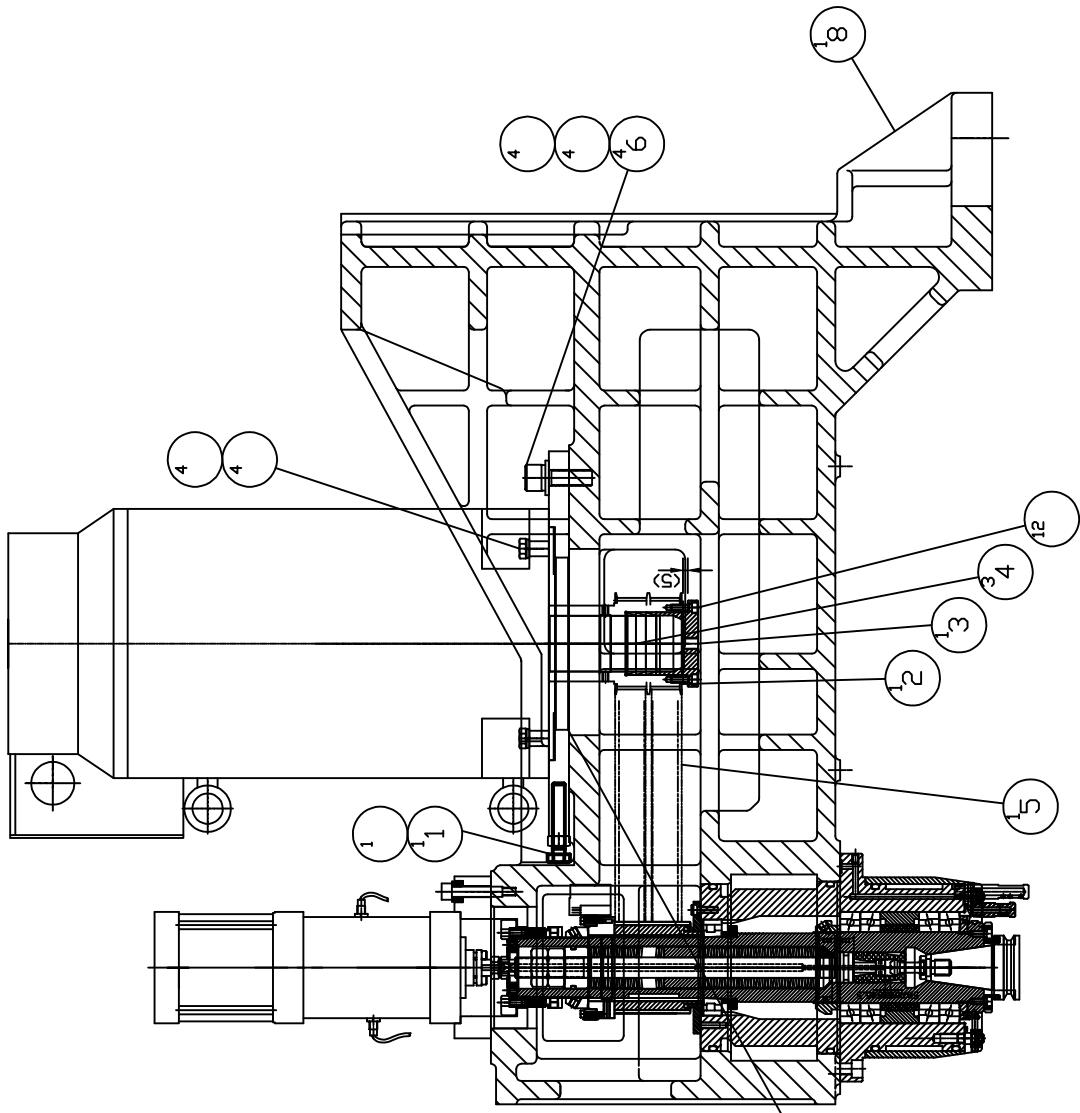
Master Item Part NO.: GX 000000205D

Description: SPINDLE TRANSMISSION(A15/12K)  
主軸傳動(FANUC A15/12K)

Item	Part NO.	Description	中文名稱	Specification	Qty	Unit
1.00	MS 0154228	HEX HD. FULL THD	六角頭螺絲	M12XP1.75XL70, ST12.9	1.00	EA
2.03	GX 000317706D	PULLEY, MOTOR(8.2K/12K,FANUC)	馬達齒帶輪(ALPHA15/1PH8133)	D101.8XD55XL132.5(36T)	1.00	ST
3.03	GX 000981301D	RETAINER, MOTOR PULLEY	馬達齒帶輪固定環	D85XD48.2XL29.5	1.00	ST
4.00	GX 00098132602	KEYLESS CONNECTION	錐形環鍵	SC-48(D48XD55XL10)	3.00	ST
5.00	GX 00033460102	TIMING BELT(A 15, A 22/12K, 15K)	齒形皮帶(A 15, A 22/12K, 15K)	[CONTIJ912-S8M-50MM(25+25)CXP	1.00	ST
6.00	NV 000399055A	PLATE	墊塊(M16 WASHER)(K7)	D Φ 32XD Φ 16.5XT6(M16 WASHER)(K7)	4.00	EA
8.06	GX 000026400D	HEADSTOCK	主軸箱	L1004XW654XH653	1.00	EA



REV	DESCRIPTION	DATE	ECN
A	新仕様	2006/8/10	185



NV 001065104D  
 主軸傳動機殼 (CFANUC 012)

MODEL: GX 1300#40/1600#40	PART NUMBER
SPINDLE TRANSMISSION(Fanuc A22/12K)	GX 000000202D
主軸傳動機殼(Fanuc A22/12K)	PAGE 1 OF 1
DATE 2006/9/12	REV. A
SCALE 1:8	

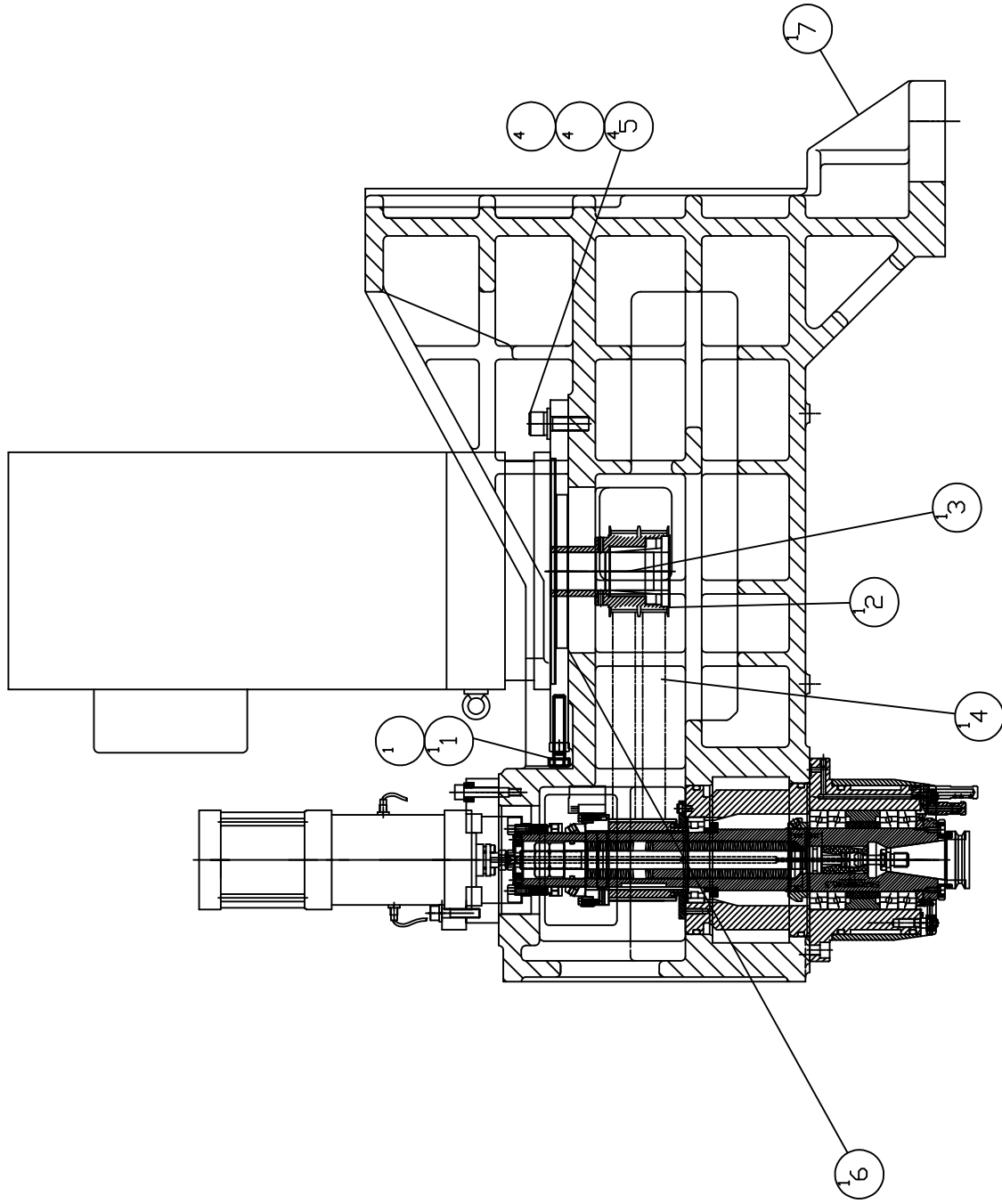
PRODUCT BOM MASTER AND SUB-ITEMS LIST  
\*\*\*\*\*

Master Item Part NO.: GX 000000202D

Description: SPINDLE TRANSMISSION(A22/12K)  
主軸傳動(FANUC A22/12K)

Item	Part NO.	Description	中文名稱	Specification	Qty	Unit
1.00	MS 0154228	HEX HD. FULL THD	六角頭螺絲	M12XP1.75XL70, ST12.9	1.00	EA
2.03	GX 000317704D	PULLEY, MOTOR(8.2K/12K,FANUC)	馬達齒帶輪(8.2K/12K,FANUC A22)	D101.8XD55XL132.5(36T)	1.00	ST
3.02	GX 000981300D	RETAINER, MOTOR PULLEY	馬達齒帶輪固定環	D85XD55.2XL39.5	1.00	ST
4.00	GX 00098132601	KEYLESS CONNECTION	錐形環鍵	SC-55(D55XD62XL10)	3.00	ST
5.00	GX 00033460102	TIMING BELT(A 15, A 22/12K, 15K)	齒形皮帶(A 15, A 22/12K, 15K)	[CONTIJ912-S8M-50MM(25+25)CXP	1.00	ST
6.00	NV 000399055A	PLATE	墊塊(M16 WASHER)(K7)	D Φ32XD Φ16.5XT6(M16 WASHER)(K7)	4.00	EA
8.07	GX 000026400D	HEADSTOCK	主軸箱	L1004XW654XH653	1.00	EA

REV	DESCRIPTION	DATE	ECN
A		2007/4/24	510



MODEL: GX 1300#40/1600#40		PART NUMBER	
SPINDLE TRANSMISSION(HEI&SIE 12K)		GX 000000209D	
主轴/傳動(HEI & SIE 12K)		PAGE 1 OF 1	
DATE 2007/4/24	DATE 2007/4/24	SCALE 1:8	REV. A

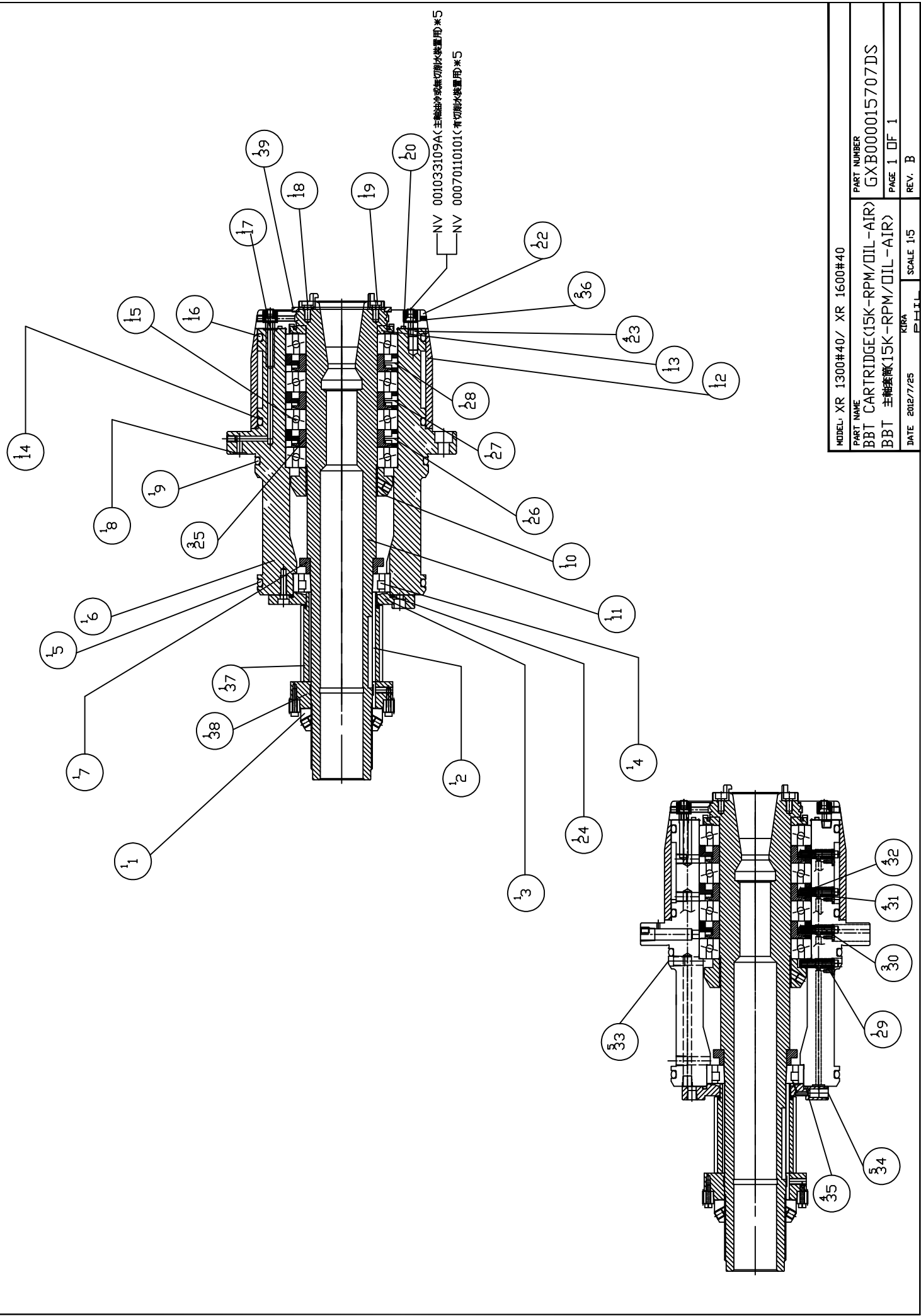
PRODUCT BOM MASTER AND SUB-ITEMS LIST  
\*\*\*\*\*

Master Item Part NO.: GX 000000209D

Description: SPINDLE TRANSMISSION(12K)  
主軸傳動(HEIDENHAIN&SIEMENS 12K)

Item	Part NO.	Description	中文名稱	Specification	Qty	Unit
1.00	MS 0154228	HEX HD. FULL THD	六角頭螺絲	M12XP1.75XL70, ST12.9	1.00	EA
2.01	GX 000317716D	PULLEY,MOTOR(10K/12K,HEI&SIE)	馬達齒帶輪(10K/12K,HEI&SIE)	D100XD42XL132.5(36T)	1.00	EA
3.00	GX 00098132604	KEYLESS CONNECTION	錐形環鍵	[仕勳]SB-42(不含隔環)	1.00	ST
4.00	GX 00033460102	TIMING BELT(A 15, A 22/12K, 15K)	齒形皮帶(A 15, A 22/12K, 15K)	[CONT]J912-S8M-50MM(25+25)CXP	1.00	ST
5.00	NV 000399055A	PLATE	墊塊(M16 WASHER)(K7)	D Φ32XD Φ16.5XT6(M16 WASHER)(K7)	4.00	EA
7.06	GX 000026400D	HEADSTOCK	主軸箱	L1004XW654XH653	1.00	EA

REV	DESCRIPTION	DATE	ECN
A	202/7/25	1003115	
B	202/7/25	1004084	



PRODUCT BOM MASTER AND SUB-ITEMS LIST  
\*\*\*\*\*

Master Item Part NO.: GXB000015707DS

Description: BBT CARTRIDGE(15K-RPM/OIL-AIR)

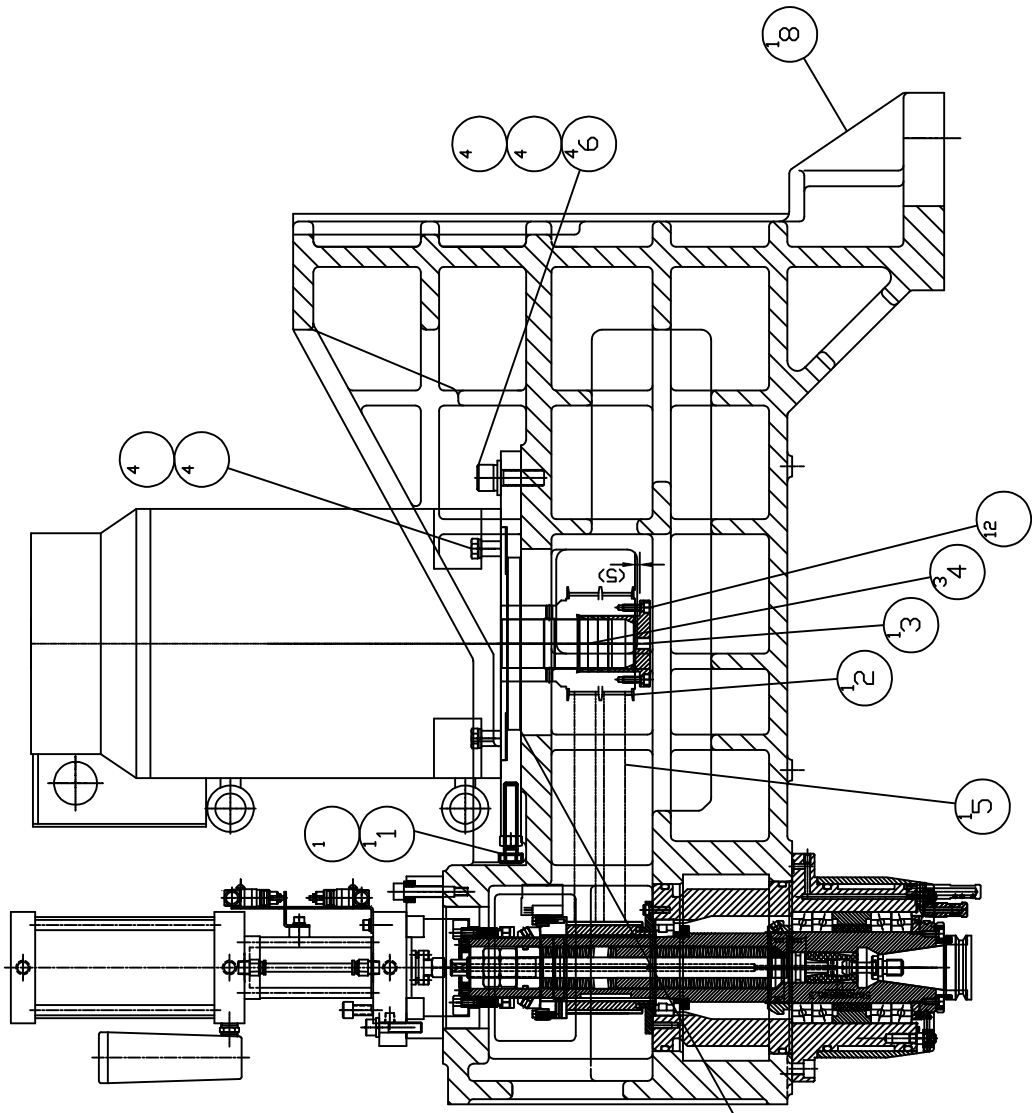
BBT 主軸套筒(15K-RPM/OIL-AIR)、三迷宮

Item Part NO.	Description	中文名稱	Specification	Qty	Unit
1.00 NV 000049204A	LOCKNUT	鎖緊螺帽(MF60)研磨級	[SHIANG KAJ]M60X2(GRINDING)	1.00	EA
2.00 NV 00061150101	SUNK KEY	(雙圓頭鍵)平行鍵	L50XW8XH7(JIS-)	1.00	EA
3.00 GX 001011510D	COVER	軸蓋	D143XD69.6XH15.5	1.00	EA
4.00 NV 00002660203	BEARING, SPINDLE(12K-RPM)	主軸滾筒軸承(12K-RPM)	[SKF] N1012 KTNHA/HC5SPVR592	1.00	EA
5.01 NV 00094310517	O-RING	O型油環(NOK)	(JIS)G155(NOK)	1.00	EA
6.02 NVA000405202A	HOUSING, SPINDLE	軸承套	D225XD88XL261	1.00	EA
7.00 NV 000179901A	SPACER, SPINDLE	後間隔圈	D82XD61.5XL14.8	1.00	EA
8.00 NV 00094310102	O-RING	O型油環	[JIS] P10	1.00	EA
9.00 NV 00094310203	O-RING	O型油環	[JIS] G160	1.00	EA
10.00 NV 000049216A	LOCKNUT	鎖緊螺帽	[HSIANG KAJ]M70X2	1.00	EA
11.01 NVB000028303A	SPINDLE(BBT)	主軸#40(BBT)	D88.87XD30XL469	1.00	EA
12.10 NVB000048115A	BUSHING	襯套	D178XD165XL95	1.00	EA
13.01 NVA000179986A	SPACER, SPINDLE	間隔圈	D102XD70XL8	1.00	EA
14.01 NV 00094310517	O-RING	O型油環(NOK)	(JIS)G155(NOK)	1.00	EA
15.00 NV 00002660112	BEARING, SPINDLE	主軸斜角滾珠軸承	[SKF] 7014 ACETNH/HCQBCA VQ126	1.00	ST
16.01 NV 00094310517	O-RING	O型油環(NOK)	(JIS)G155(NOK)	1.00	EA
17.00 NV 00094310102	O-RING	O型油環	[JIS] P10	1.00	EA
18.01 NVB000753315A	KEY, SPINDLE	鍵	L15.86XW15.2XH13.5	1.00	EA
19.01 NVB000753314A	KEY, SPINDLE	鍵	L15.86XW15.2XH13.5	1.00	EA

\*\*\*\*\*  
PRODUCT BOM MASTER AND SUB-ITEMS LIST  
\*\*\*\*\*

Item	Part NO.	Description	中文名稱	Specification	Qty	Unit
20.01	NV 00094310516	O-RING	O型油環	(JIS)G120(NOK)	1.00	EA
22.01	NVB001011624A	COVER(DDS)	前蓋#40(DDS AND BELT SPINDLE)	D169.4XD89XH23.7	1.00	EA
23.00	NV 00077031701	PLUG, SOCKET HEX.	塞頭	PT1/8	4.00	EA
24.00	NV 00094310205	O-RING	O型油環	[JIS] G95	1.00	EA
25.00	NV 000179924A	INTERNAL SPACER, SPINDLE	內間隔圈	D95.97XD70XL17	3.00	EA
26.00	NV 000179921A	EXTERNAL SPACER, SPINDLE	外間隔圈	D110XD84.03XL17	1.00	EA
27.00	NV 000179922A	EXTERNAL SPACER, SPINDLE	外間隔圈	D110XD84.03XL17	1.00	EA
28.00	NV 000179923A	EXTERNAL SPACER, SPINDLE	外間隔圈	D110XD84.03XL17	1.00	EA
29.00	NVA001023402A	INJECTOR, SPINDLE	噴油嘴	D15XD8XL32.9	1.00	EA
30.00	NVA001023403A	INJECTOR, SPINDLE	噴油嘴	D15.5XD8XL32.9	3.00	EA
31.00	NV 00094310207	O-RING	O型油環	[NOK] S7	4.00	EA
32.00	NV 00094310206	O-RING	O型油環	[NOK] S6	4.00	EA
33.00	NV 00077031701	PLUG, SOCKET HEX.	塞頭	PT1/8	5.00	EA
34.00	NV 00077031801	ELBOW, BRASS 90DEG MALE&FEMALE	直角接頭(銅)	PT1/8"XM10(論興:GB00006M01T)	5.00	EA
35.00	NV 00094310118	O-RING	O型油環	[JIS] P9	4.00	EA
36.00	NV 000668423A	SET SCREW	固定螺絲	M4XP0.5XD1.5	2.00	EA
37.02	GX 000317713D	PULLEY, SPINDLE(15K, A22/A 15)	主軸齒帶輪(15K, FANUC)	D80.12XD60XL88(32T)	1.00	ST
38.01	GX 000317703D	SEAT, SPINDLE ENCODER GEAR	檢測齒輪座(12K/15K)	LD100XD60XL26	1.00	ST
39.02	NVA001011639A	WATERPROOF	防水蓋	D101XD66.8XH4	1.00	EA

REV	DESCRIPTION	DATE	ECN
A	新仕様	2006/8/10	185



NV 001066104D  
 主軸組立 (FANUC α12)

FANUC α15與SIEMENS 1PH8133使用

MODEL: GX 1300#40/1600#40	PART NUMBER	REV. A
SPINDLE TRANSMISSION(Fanuc A15/15K)	GX 000000206D	
主軸傳動(Fanuc A15/15K)	PAGE 1 OF 1	
DATE 2006/9/12	SCALE 1:8	



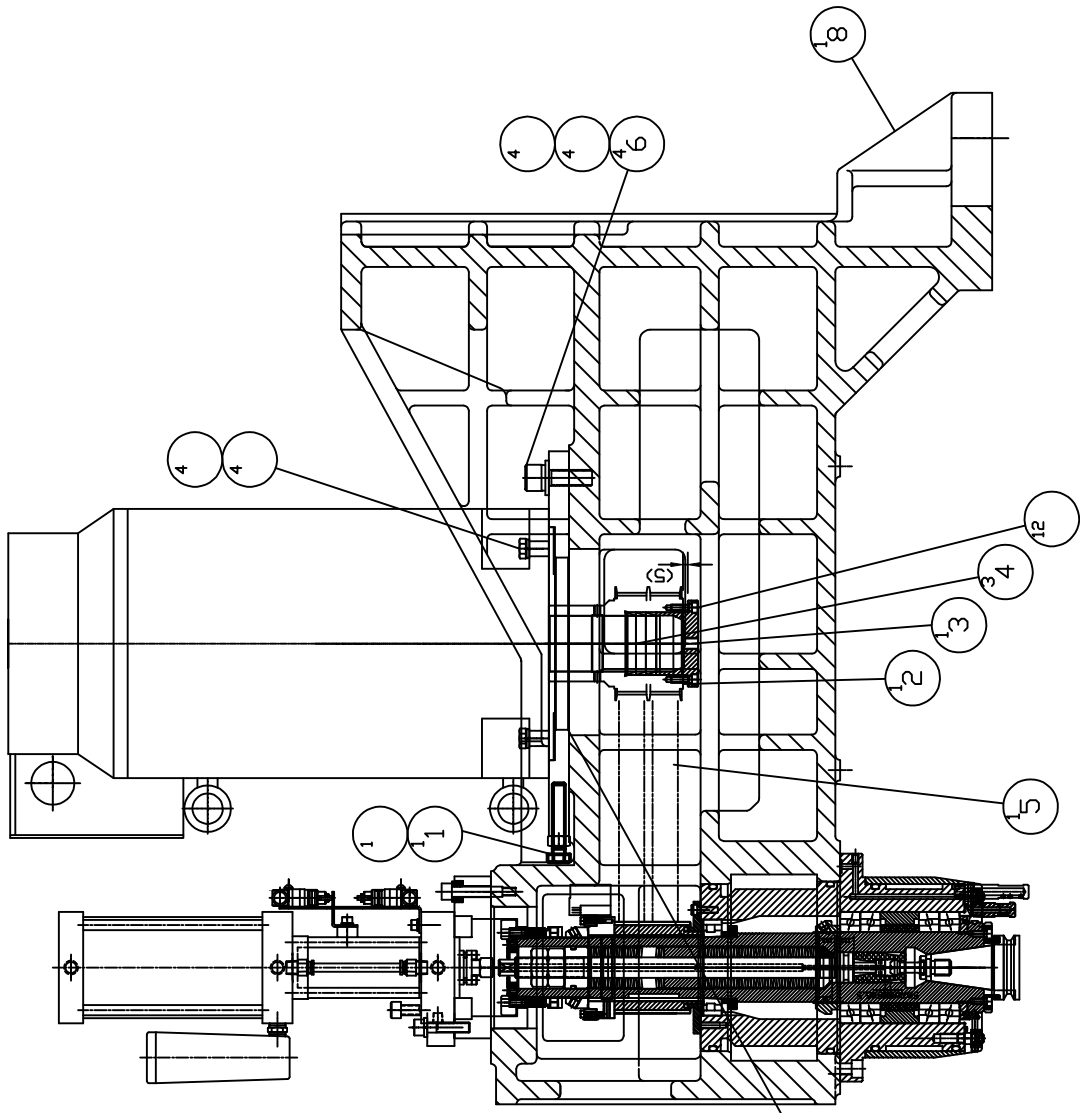
PRODUCT BOM MASTER AND SUB-ITEMS LIST  
\*\*\*\*\*

Master Item Part NO.: GX 000000206D

Description: SPINDLE TRANSMISSION(A15/15K)  
主軸傳動(FANUC A15/15K)

Item	Part NO.	Description	中文名稱	Specification	Qty	Unit
1.00	MS 0154228	HEX HD. FULL THD	六角頭螺絲	M12XP1.75XL70, ST12.9	1.00	EA
2.04	GX 000317715D	PULLEY, MOTOR(15K,FANUC A22)	馬達齒帶輪(15K,FANUC A 15)	D112XD48XL132.5(40T)	1.00	EA
3.02	GX 000981301D	RETAINER, MOTOR PULLEY	馬達齒帶輪固定環	D85XD48.2XL29.5	1.00	ST
4.00	GX 00098132602	KEYLESS CONNECTION	錐形環鍵	SC-48(D48XD55XL10)	3.00	ST
5.01	GX 00033460102	TIMING BELT(A 15, A 22/12K, 15K)	齒形皮帶(A 15, A 22/12K, 15K)	[CONTIJ912-S8M-50MM(25+25)CXP	1.00	ST
6.00	NV 000399055A	PLATE	墊塊(M16 WASHER)(K7)	D Φ32XD Φ16.5XT6(M16 WASHER)(K7)	4.00	EA
8.06	GX 000026400D	HEADSTOCK	主軸箱	L1004XW654XH653	1.00	EA

REV	DESCRIPTION	DATE	ECN
A	新仕様	2006/8/10	185



NV\_001066104D  
 SPINDLE (CFANUC 01E2)

MODEL: GX 1300#40/1600#40	
PART NAME	PART NUMBER
SPINDLE TRANSMISSION(Fanuc A22/15K)	GX 000000203D
主轴传动(Fanuc A22/15K)	PAGE 1 OF 1
DATE 2006/9/12	REV. A
SCALE 1:8	

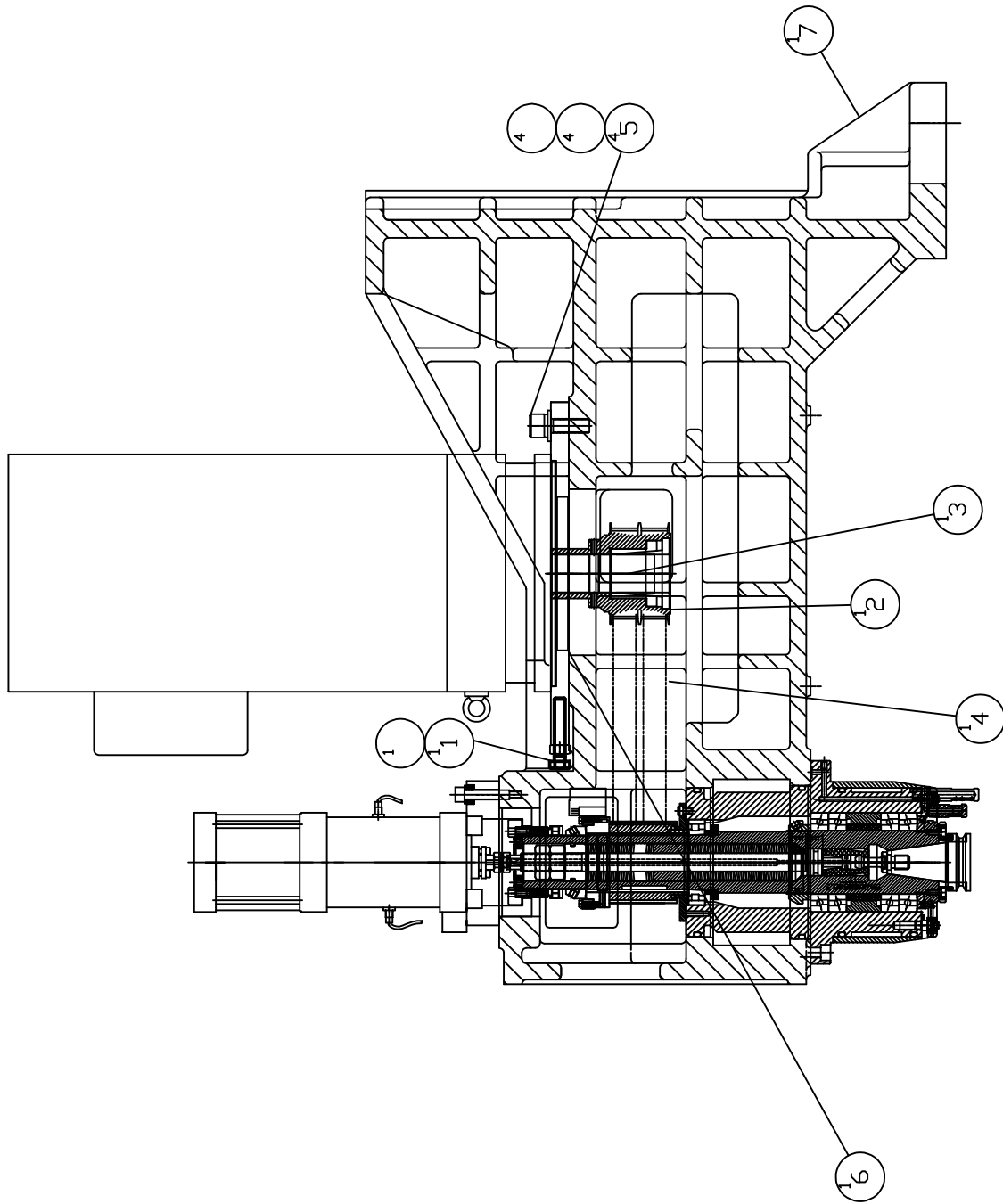
PRODUCT BOM MASTER AND SUB-ITEMS LIST  
\*\*\*\*\*

Master Item Part NO.: GX 000000203D

Description: SPINDLE TRANSMISSION(A22/15K)  
主軸傳動(FANUC A22/15K)

Item	Part NO.	Description	中文名稱	Specification	Qty	Unit
1.00	MS 0154228	HEX HD. FULL THD	六角頭螺絲	M12XP1.75XL70, ST12.9	1.00	EA
2.04	GX 000317714D	PULLEY, MOTOR(15K,FANUC A 22)	馬達齒帶輪(15K,FANUC A 22)	D112XD55XL132.5(40T)	1.00	EA
3.02	GX 000981300D	RETAINER, MOTOR PULLEY	馬達齒帶輪固定環	D85XD55.2XL39.5	1.00	ST
4.00	GX 00098132601	KEYLESS CONNECTION	錐形環鍵	SC-55(D55XD62XL10)	3.00	ST
5.01	GX 00033460102	TIMING BELT(A 15, A 22/12K, 15K)	齒形皮帶(A 15, A 22/12K, 15K)	[CONTIJ912-S8M-50MM(25+25)CXP	1.00	ST
6.00	NV 000399055A	PLATE	墊塊(M16 WASHER)(K7)	D Φ 32XD Φ 16.5XT6(M16 WASHER)(K7)	4.00	EA
8.06	GX 000026400D	HEADSTOCK	主軸箱	L1004XW654XH653	1.00	EA

REV	DESCRIPTION	DATE	ECN
A	新仕様	2007/4/24	510



MODEL: GX 1300#40/1600#40		PART NUMBER	
SPINDLE TRANSMISSION(SIE&HEI 15K)		GX 000000210D	
主轴/傳動水 SIE & HEI 15K		PAGE 1 OF 1	
DATE 2007/4/24	DATE 2007/4/24	SCALE 1:8	REV. A

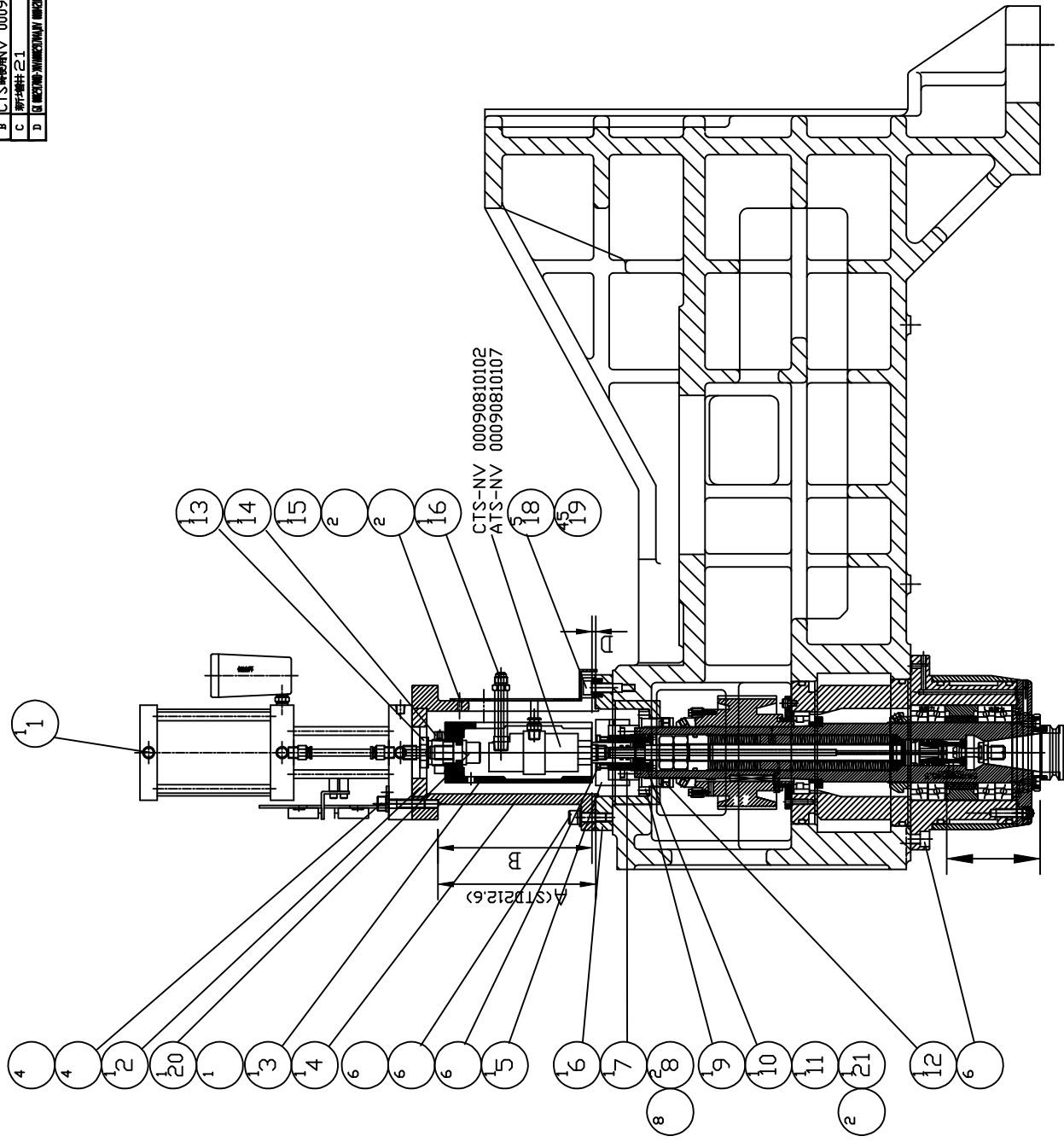
PRODUCT BOM MASTER AND SUB-ITEMS LIST  
\*\*\*\*\*

Master Item Part NO.: GX 000000210D

Description: SPINDLE TRANSMISSION(15K)  
主軸傳動(HEIDENHAIN&SIEMENS 15K)

Item	Part NO.	Description	中文名稱	Specification	Qty	Unit
1.00	MS 0154228	HEX HD. FULL THD	六角頭螺絲	M12XP1.75XL70, ST12.9	1.00	EA
2.01	GX 000317717D	PULLEY,MOTOR(15K,HEI&SIE)	馬達齒帶輪(15K,HEIDENHAIN&SIEMENS)	D112XD42XL132.5(40T)	1.00	EA
3.00	GX 00098132604	KEYLESS CONNECTION	錐形環鍵	[仕勳]SB-42(不含隔環)	1.00	ST
4.00	GX 00033460102	TIMING BELT(A 15, A 22/12K, 15K)	齒形皮帶(A 15, A 22/12K, 15K)	[CONT]J912-S8M-50MM(25+25)CXP	1.00	ST
5.00	NV 000399055A	PLATE	墊塊(M16 WASHER)(K7)	D Φ32XD Φ16.5XT6(M16 WASHER)(K7)	4.00	EA
7.06	GX 000026400D	HEADSTOCK	主軸箱	L1004XW654XH653	1.00	EA

REV	DESCRIPTION	DATE	ECN
A	新機	2006/10/12	
B	主軸傳動機構(ATS)圖面(0090810102)	2006/10/12	1.1.1
C	CTS主軸傳動機構(ATS)圖面(0090810102)	2006/10/12	1.1.1
D	主軸傳動機構(ATS)圖面(0090810102)	2006/10/12	2.7



MODEL: GX 1300#40/1600#40	PART NUMBER	GX 000000302D
PART NAME	主軸傳動機構(ATS)圖面	w/CTS
DATE 2006/10/12	PAGE 1	DF 1
SCALE 1:1	REV. D	

# PRODUCT BOM MASTER AND SUB-ITEMS LIST

\*\*\*\*\*

Master Item Part NO.: GX 000000302D

Description: CLAMPING SYSTEM(W/ CTS)  
打刀機構(W/ CTS)

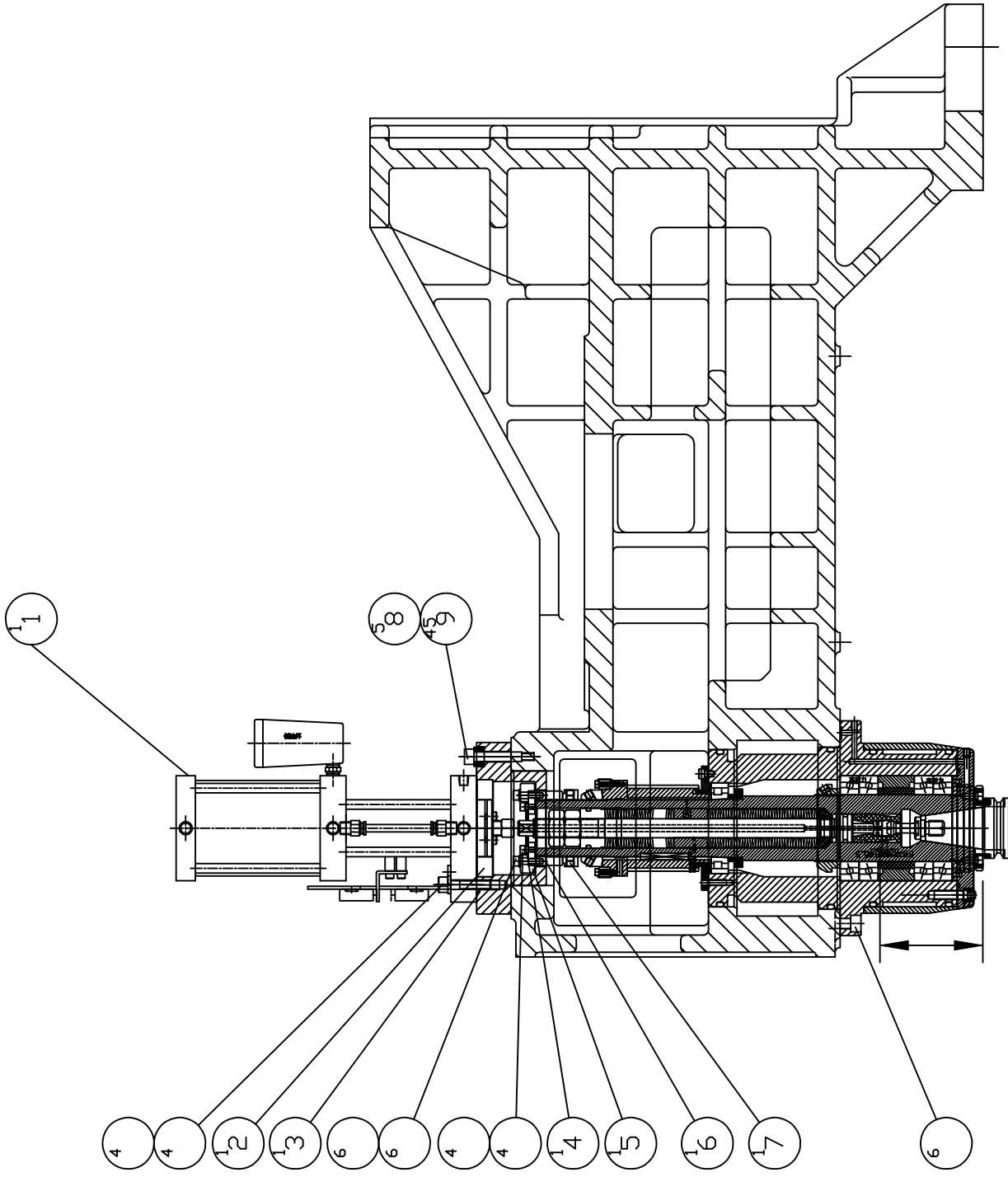
Item	Part NO.	Description	中文名稱	Specification	Qty	Unit
1.02	NVA000291704A	BOOSTER CYLINDER	增壓缸(高扭力使用)	4TONSX13MM(G4000)	1.00	ST
2.00	NV 000048102A	BUSHING	襯套	D102XD60XL17	1.00	ST
3.00	NV 001042102A	CONTACT BLOCK	接觸塊	D76XD18XL170	1.00	EA
4.00	NV 000981306A	RING, THR SPD COOLANT	拉環(中心給水)	D180XD96XL216	1.00	EA
5.00	NV 001066110A	SEAT, THR SPD COOLANT	支撐座	D76XD25XL39	1.00	EA
6.00	NV 000981304A	RING, THR SPD COOLANT	拉環(中心給水)	D180XD80XL75	1.00	EA
7.00	NV 001042101A	ADAPTER, ROTATING UNIONS	旋轉接頭座	D63XD12XL55	1.00	EA
8.00	NV 00094310120	O-RING, 1000PSI	O型油環(1000PSI使用)	[JIS] P12 (HS90)	2.00	EA
9.00	NV 000981305A	RING, THR SPD COOLANT	拉環(中心給水)	D99XD57.84XL26	1.00	EA
10.02	NVA001042100A	ADAPTER, THR SPD COOLANT	連結座	D42XD12XD55	1.00	EA
11.00	NV 00094310117	O-RING	O型油環	[JIS] P36 (NOK)	1.00	EA
12.00	NV 000049205A	LOCKNUT	鎖緊螺帽(MRZ60)精車級	[SHIANG KAIJ]M60X2	1.00	EA
13.01	GX 001042102D	ADAPTER, THR SPD COOLANT	接頭	D34.5XD14XL59	1.00	EA
14.00	NV 000049206A	LOCKNUT	鎖緊螺帽	[HSIANG KAIJ]M30X1.5	1.00	EA
15.00	NV 000199065A	BRACKET, COOLANT PIPE	接頭固定板	L170XW36XH55	1.00	EA
16.00	NV 001010900A	PIPE, THR SPD COOLANT	水管接頭	D17XD6.5XL90	1.00	EA
18.00	NV 000668403A	BOLT, SPINDLE	螺栓[凸肩螺絲](中心給水)	M10X35	5.00	EA
19.00	NV 000733501	DISK SPRING	碟型彈簧	D20XD10.2XL1.35(H0.8)	45.00	EA
20.00	NV 000668416A	BOLT(CTS)	螺絲	M16XP2XL30	1.00	EA
21.00	NV 000199132A	PLATE, DRAWBAR	固定板	L41XW26XH3	1.00	EA

PRODUCT BOM MASTER AND SUB-ITEMS LIST  
\*\*\*\*\*

Item	Part NO.	Description	中文名稱	Specification	Qty	Unit
22.00	MS 0453314	FLAT HD. MACHINE	十字平頭螺絲	M3* P0.5 *L8	2.00	EA



REV	DESCRIPTION	DATE	ECN
A		2006/07/12	
B	GX 000291700D→NV 000291704A	2006/09/15	0002924



MODEL: GX 1300#40/1600#40	
PART NAME	PART NUMBER
CLAMPING SYSTEM(w/o CTS)	GX 000000301D
打刀機外機(w/o CTS)	PAGE 1 OF 1
DATE 2006/10/12	SCALE 1:1
REV. B	

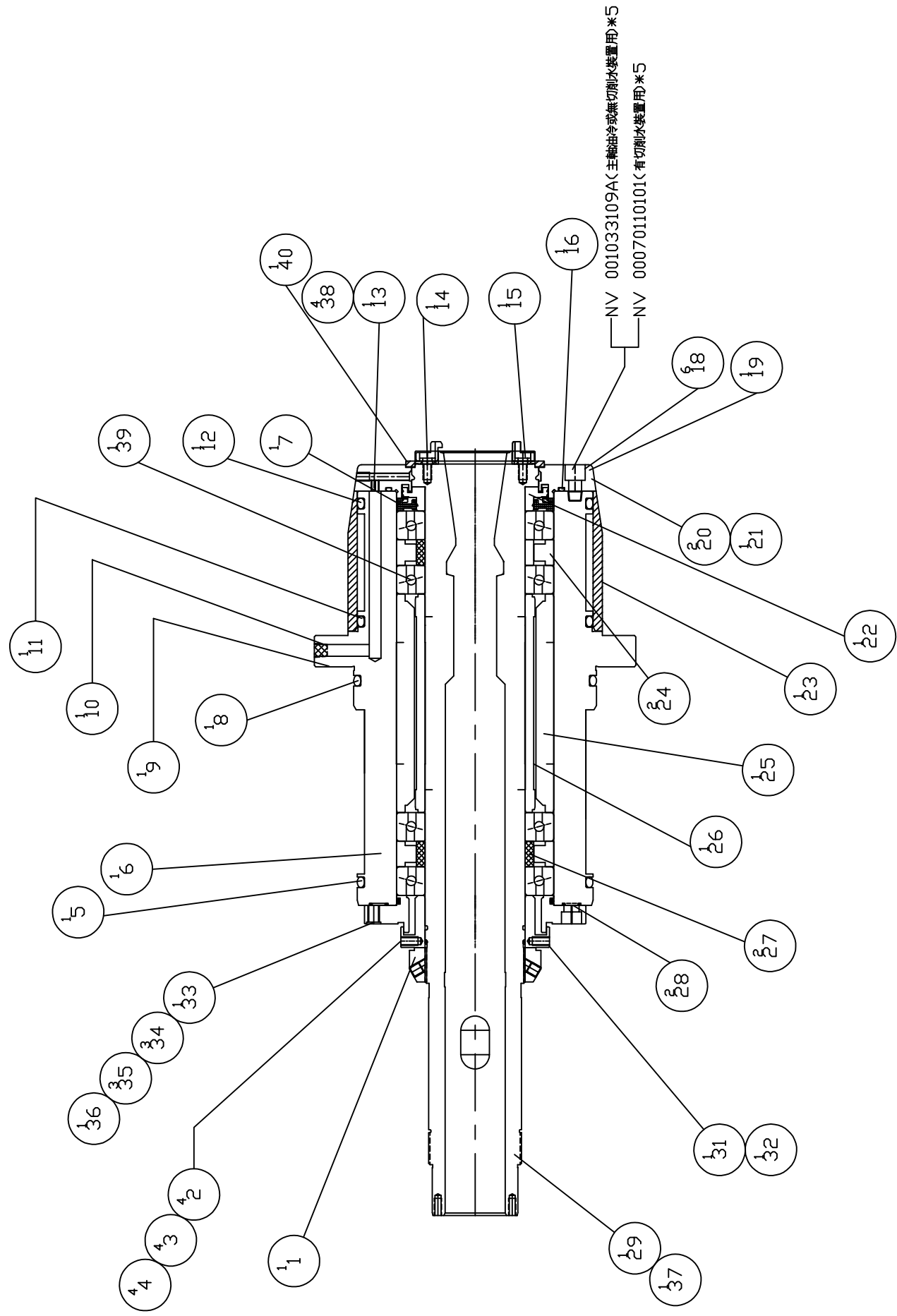
PRODUCT BOM MASTER AND SUB-ITEMS LIST  
\*\*\*\*\*

Master Item Part NO.: GX 000000301D

Description: CLAMPING SYSTEM(W/O CTS)  
打刀機構(W/O CTS)

Item	Part NO.	Description	中文名稱	Specification	Qty	Unit
1.02	NVA000291704A	BOOSTER CYLINDER	增壓缸(高扭力使用)	4TONSX13MM(G4000)	1.00	ST
2.00	NV 000048102A	BUSHING	襯套	D102XD60XL17	1.00	ST
3.00	NV 000981300A	RING	拉環	D180XD80XL73	1.00	EA
4.01	NVB000199000A	PLATE, SPINDLE	固定板	D55XL5	1.00	EA
5.00	NV 000981302A	RING	拉環	D94XD56XL15	1.00	EA
6.00	NV 000981301A	RING	拉環	D78XD30XL36	1.00	EA
7.00	NV 000049205A	LOCKNUT	鎖緊螺帽(MRZ60)精車級	[SHIANG KAIJM60X2	1.00	EA
8.00	NV 000668400A	BOLT, SPINDLE	螺栓[凸肩螺絲]	M10X50	5.00	EA
9.00	NV 000733501	DISK SPRING	碟型彈簧	D20XD10.2XL1.35(H0.8)	45.00	EA

REV	DESCRIPTION	DATE	ECN
A	新仕様	2012/7/25	1003113



MODEL: GX 600/800/1000 GX-XR 1300/1600	
PART NAME	PART NUMBER
CARTRIDGE<DDS,GREASE,BBT>	NVA000015737A
主軸套筒 直結式,GREASE,BBT	PAGE 1 OF 1
DATE 2012/7/25	REV. A
SCALE 1:4	

# PRODUCT BOM MASTER AND SUB-ITEMS LIST

\*\*\*\*\*

Master Item Part NO.: NVA000015737A

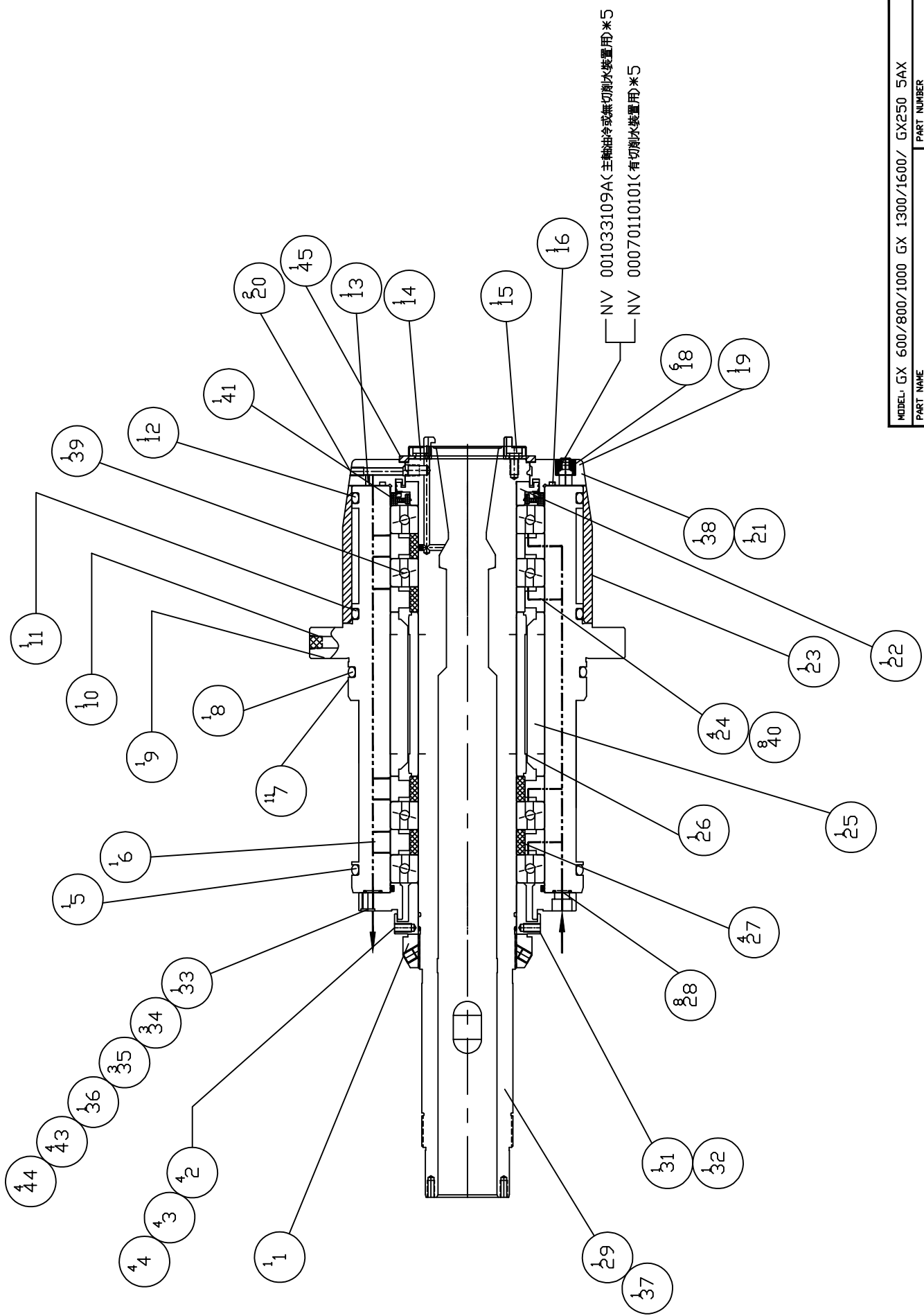
Description: CARTRIDGE(DDS,GREASE,BBT)  
主軸套筒(直結式,GREASE,BBT)

Item	Part NO.	Description	中文名稱	Specification	Qty	Unit
1.00	NV 000049216A	LOCKNUT	鎖緊螺帽	[HSIANG KAJ]M70X2	1.00	EA
2.00	MS 0553614	SOC SET, CUP POINT	杯型端固定螺絲	M6XP1.0XL8	4.00	EA
3.00	MS 0553616	SOC SET, CUP SCREW	杯型端固定螺絲	M6XP1.0XL12	4.00	EA
4.00	MS 0553617	SOC SET, CUP SCREW	杯型端固定螺絲	M6XP1.0XL16	4.00	EA
5.01	NV 00094310517	O-RING	O型油環(NOK)	(JIS)G155(NOK)	1.00	EA
6.00	NV 000405213A	HOUSING, SPINDLE	軸承套	D225XD110XL290	1.00	EA
7.00	NV 000179995A	EXTERNAL SPACER, SPINDLE	外間隔圈	D110XD80.3XL10	1.00	EA
8.00	NV 00094310203	O-RING	O型油環	[JIS] G160	1.00	EA
9.00	NV 00094310102	O-RING	O型油環	[JIS] P10	1.00	EA
10.00	NV 00077031701	PLUG, SOCKET HEX.	塞頭	PT1/8	1.00	EA
11.01	NV 00094310517	O-RING	O型油環(NOK)	(JIS)G155(NOK)	1.00	EA
12.01	NV 00094310517	O-RING	O型油環(NOK)	(JIS)G155(NOK)	1.00	EA
13.00	NV 00094310102	O-RING	O型油環	[JIS] P10	1.00	EA
14.01	NVB000753315A	KEY, SPINDLE	鍵	L15.86XW15.2XH13.5	1.00	EA
15.01	NVB000753314A	KEY, SPINDLE	鍵	L15.86XW15.2XH13.5	1.00	EA
16.01	NV 00094310516	O-RING	O型油環	(JIS)G120(NOK)	1.00	EA
18.00	MS 0104019	SOCKET HEAD CAP SCREW	六角穴圓頭螺絲	M10XP1.5XL25	6.00	EA
19.04	NVB001011624A	COVER(DDS)	前蓋#40(DDS AND BELT SPINDLE)	D169.4XD89XH23.7	1.00	EA
20.00	NV 000668423A	SET SCREW	固定螺絲	M4XP0.5XD1.5	2.00	EA
21.00	MS 0553614	SOC SET, CUP POINT	杯型端固定螺絲	M6XP1.0XL8	1.00	EA

\*\*\*\*\*  
**PRODUCT BOM MASTER AND SUB-ITEMS LIST**  
 \*\*\*\*\*

Item	Part NO.	Description	中文名稱	Specification	Qty	Unit
22.00	NV 000179994A	INTERNAL SPACER, SPINDLE	內間隔圈	D102.2XD70XL18	1.00	EA
23.10	NVB000048115A	BUSHING	襯套	D178XD165XL95	1.00	EA
24.01	NV 000279906A	EXTERNAL SPACER, SPINDLE	外間隔圈(GREASE)	D110XD82.4XL18	2.00	EA
25.01	NV 000279907A	EXTERNAL SPACER, SPINDLE	外間隔圈(GREASE)	D110XD84.2XL153	1.00	EA
26.00	NV 000279908A	INTERNAL SPACER, SPINDLE	內間隔圈(GREASE)	D83.8XD70XL153	1.00	EA
27.01	NV 000279905A	INTERNAL SPACER, SPINDLE	內間隔圈(OIL AIR & GREASE)	D82XD70XL18	2.00	EA
28.00	NV 00094310118	O-RING	O型油環	[JIS] P9	2.00	EA
29.04	NV 000028309A	DDS , SPINDLE(BBT)	DDS主軸(BBT)	D60XD42XL534	1.00	EA
31.01	NV 000981334A	RING, DYNAMIC BALANCING	動平衡調整環	D104XD70XL36.5	1.00	EA
32.00	NV 00094310107	O-RING,COOLANT	O型油環 (COOLANT)	(JIS)1A P4	1.00	EA
33.02	NV 001042122A	COVER, CLAMPING SEAT	打刀座下蓋	D155XD92.6XL26	1.00	EA
34.00	MS 0103817	SOCKET HEAD CAP SCREW	六角穴圓頭螺絲	M8XP1.25XL16	3.00	EA
35.00	MW 0183810	SPRING WASHER	彈簧墊圈	M8(HEAT TREATMENT)	3.00	EA
36.00	NV 00094310228	O-RING	O型油環	[JIS] G105	1.00	EA
37.00	NV 00094310307	O-RING	O型油環	[JIS] S67	1.00	EA
38.00	NV 00077031701	PLUG, SOCKET HEX.	塞頭	PT1/8	4.00	EA
39.01	NV 00002660139	BEARING, SPINDLE	主軸陶瓷斜角滾珠軸承(4個/1組)	[NSK] 70BER10HTYNDBBCA10P4	1.00	ST
40.01	NV 001011639A	WATERPROOF	防水蓋	D101XD66.8XH4	1.00	EA

REV	DESCRIPTION	DATE	ECN
A	新仕様	2012/7/25	1003113



MODEL: GX 600/800/1000 GX 1300/1600/ GX250 5AX	PART NUMBER
CARTRIDGE<DDS,OIL AIR,BBT>W/O CTS	NVA000015737AS
主軸套筒 直結式,OIL AIR,BBT)無CTS用	PAGE 1 OF 1
DATE 2012/7/25	SCALE 1:4
REV. A	

# PRODUCT BOM MASTER AND SUB-ITEMS LIST

\*\*\*\*\*

Master Item Part NO.: NVA000015737AS

Description: CARTRIDGE(DDS,OIL AIR,BBT)  
主軸套筒(直結式,OIL AIR,BBT)

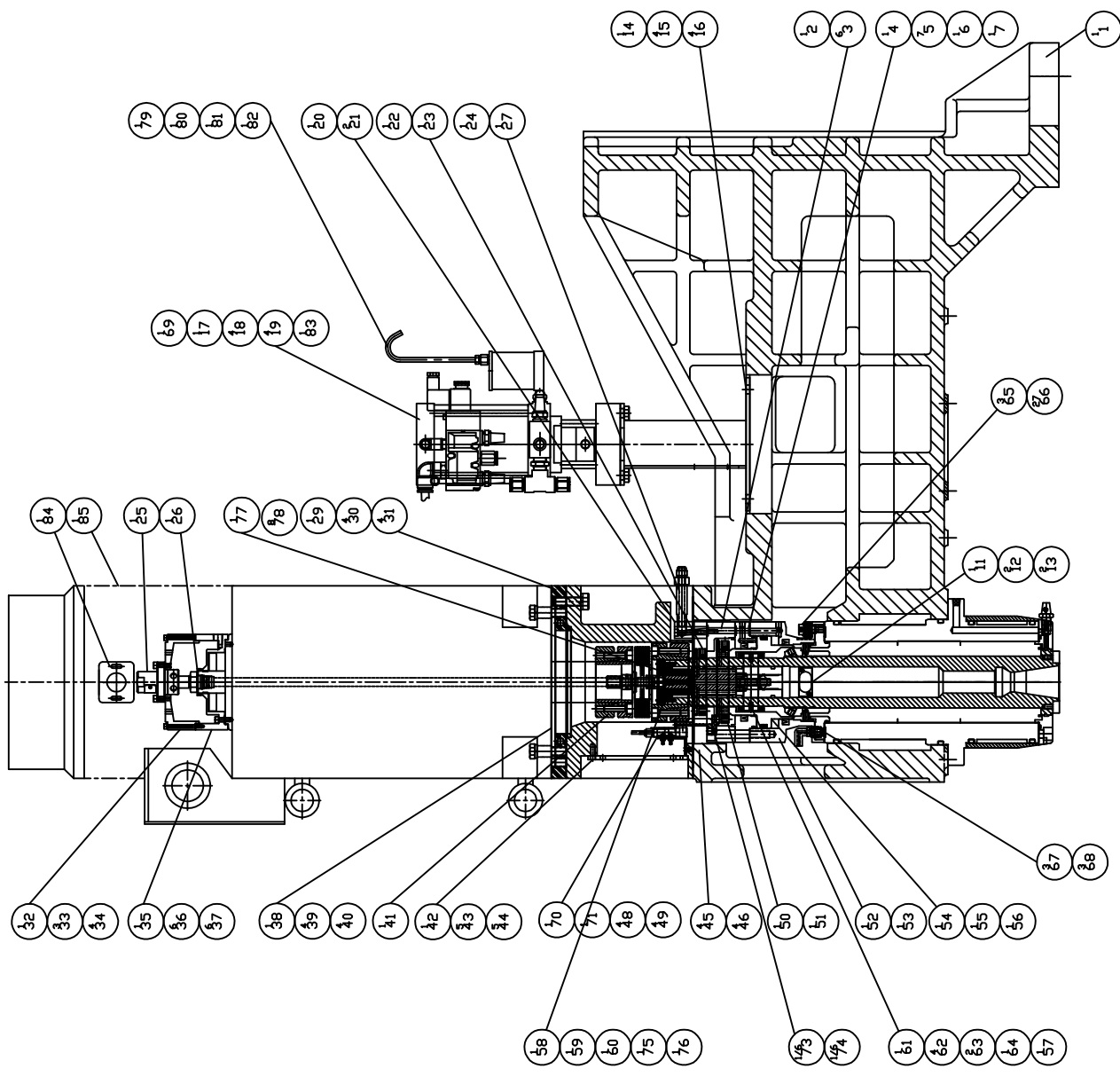
Item	Part NO.	Description	中文名稱	Specification	Qty	Unit
1.00	NV 000049216A	LOCKNUT	鎖緊螺帽	[HSIANG KAJ]M70X2	1.00	EA
2.00	MS 0553614	SOC SET, CUP POINT	杯型端固定螺絲	M6XP1.0XL8	4.00	EA
3.00	MS 0553616	SOC SET, CUP SCREW	杯型端固定螺絲	M6XP1.0XL12	4.00	EA
4.00	MS 0553617	SOC SET, CUP SCREW	杯型端固定螺絲	M6XP1.0XL16	4.00	EA
5.01	NV 00094310517	O-RING	O型油環(NOK)	(JIS)G155(NOK)	1.00	EA
6.00	NV 000405212A	HOUSING, SPINDLE	軸承套	D225XD110XL290	1.00	EA
7.00	NV 00077031701	PLUG, SOCKET HEX.	塞頭	PT1/8	11.00	EA
8.00	NV 00094310203	O-RING	O型油環	[JIS] G160	1.00	EA
9.00	NV 00094310102	O-RING	O型油環	[JIS] P10	1.00	EA
10.00	NV 00077031701	PLUG, SOCKET HEX.	塞頭	PT1/8	1.00	EA
11.01	NV 00094310517	O-RING	O型油環(NOK)	(JIS)G155(NOK)	1.00	EA
12.01	NV 00094310517	O-RING	O型油環(NOK)	(JIS)G155(NOK)	1.00	EA
13.00	NV 00094310102	O-RING	O型油環	[JIS] P10	1.00	EA
14.01	NVB000753315A	KEY, SPINDLE	鍵	L15.86XW15.2XH13.5	1.00	EA
15.01	NVB000753314A	KEY, SPINDLE	鍵	L15.86XW15.2XH13.5	1.00	EA
16.01	NV 00094310516	O-RING	O型油環	(JIS)G120(NOK)	1.00	EA
18.00	MS 0104019	SOCKET HEAD CAP SCREW	六角穴圓頭螺絲	M10XP1.5XL25	6.00	EA
19.04	NVB001011624A	COVER(DDS)	前蓋#40(DDS AND BELT SPINDLE)	D169.4XD89XH23.7	1.00	EA
20.00	NV 000668423A	SET SCREW	固定螺絲	M4XP0.5XD1.5	2.00	EA
21.00	MS 0553614	SOC SET, CUP POINT	杯型端固定螺絲	M6XP1.0XL8	1.00	EA

\*\*\*\*\*  
**PRODUCT BOM MASTER AND SUB-ITEMS LIST**  
 \*\*\*\*\*

Item	Part NO.	Description	中文名稱	Specification	Qty	Unit
22.00	NV 000179994A	INTERNAL SPACER, SPINDLE	內間隔圈	D102.2XD70XL18	1.00	EA
23.10	NVB000048115A	BUSHING	襯套	D178XD165XL95	1.00	EA
24.01	NV 000279909A	EXTERNAL SPACER, SPINDLE ,NSK	外間隔圈(OIL AIR, NSK軸承)	D110XD82.4XL18	4.00	EA
25.00	NV 000279903A	INTERNAL SPACER, SPINDLE	內間隔圈(OIL AIR)	D83.8XD70XL117	1.00	EA
26.00	NV 000279902A	EXTERNAL SPACER, SPINDLE	外間隔圈(OIL AIR)	D110XD84.2XL117	1.00	EA
27.01	NV 000279905A	INTERNAL SPACER, SPINDLE	內間隔圈(OIL AIR & GREASE)	D82XD70XL18	4.00	EA
28.00	NV 00094310118	O-RING	O型油環	[JIS] P9	8.00	EA
29.04	NV 000028309A	DDS , SPINDLE(BBT)	DDS主軸(BBT)	D60XD42XL534	1.00	EA
31.01	NV 000981334A	RING, DYNAMIC BALANCING	動平衡調整環	D104XD70XL36.5	1.00	EA
32.00	NV 00094310107	O-RING,COOLANT	O型油環 (COOLANT)	(JIS)1A P4	1.00	EA
33.02	NV 001042122A	COVER, CLAMPING SEAT	打刀座下蓋	D155XD92.6XL26	1.00	EA
34.00	MS 0103817	SOCKET HEAD CAP SCREW	六角穴圓頭螺絲	M8XP1.25XL16	3.00	EA
35.00	MW 0183810	SPRING WASHER	彈簧墊圈	M8(HEAT TREATMENT)	3.00	EA
36.00	NV 00094310228	O-RING	O型油環	[JIS] G105	1.00	EA
37.00	NV 00094310307	O-RING	O型油環	[JIS] S67	1.00	EA
38.01	NV 000668429A	PLUG, SOCKET HEX.	PT1/8塞頭	PT1/8塞頭鑽 $\phi$ 2孔	1.00	EA
39.02	NV 00002660139	BEARING, SPINDLE	主軸陶瓷斜角滾珠軸承(4個/1組)	[NSK] 70BER10HTYNDBBCA10P4	1.00	ST
40.00	NV 00094310315	O-RING	O型油環	[JIS] S105	8.00	EA
41.00	NV 000179995A	EXTERNAL SPACER, SPINDLE	外間隔圈	D110XD80.3XL10	1.00	EA
43.00	NV 00077030709	PRESTO ADAPTER, ELBOW	90度彎肘快速接頭	PT1/8X $\phi$ 4(PISCO,PL4-01)	4.00	EA
44.00	NV 00077030229	FITTING	1/8內外牙銜接頭	PT1/8(M)*PT1/8(F)	4.00	EA
45.01	NV 001011639A	WATERPROOF	防水蓋	D101XD66.8XH4	1.00	EA



REV	DESCRIPTION	DATE	ECN
A	新訂仕様	2008/8/29	1473
B	新訂仕様 #7, #78	2008/12/08	1574
C	新訂仕様 #79, #80, #81, #82, 新訂仕様	2009/11/03	1703
D	#2(NV) 0004221A->NV40004221(A)	2009/2/9	1714
E	#5(K) NV 0004385A->NV40004385(A)	2009/2/9	1751
F	新訂仕様 #100, #101, #102, #103, #104, #105, #106, #107, #108, #109, #110, #111, #112, #113, #114, #115, #116, #117, #118, #119, #120, #121, #122, #123, #124, #125, #126, #127, #128, #129, #130, #131, #132, #133, #134, #135, #136, #137, #138, #139, #140, #141, #142, #143, #144, #145, #146, #147, #148, #149, #150, #151, #152, #153, #154, #155, #156, #157, #158, #159, #160, #161, #162, #163, #164, #165, #166, #167, #168, #169, #170, #171, #172, #173, #174, #175, #176, #177, #178, #179, #180, #181, #182, #183, #184, #185, #186, #187, #188, #189, #190, #191, #192, #193, #194, #195, #196, #197, #198, #199, #200, #201, #202, #203, #204, #205, #206, #207, #208, #209, #210, #211, #212, #213, #214, #215, #216, #217, #218, #219, #220, #221, #222, #223, #224, #225, #226, #227, #228, #229, #230, #231, #232, #233, #234, #235, #236, #237, #238, #239, #240, #241, #242, #243, #244, #245, #246, #247, #248, #249, #250, #251, #252, #253, #254, #255, #256, #257, #258, #259, #260, #261, #262, #263, #264, #265, #266, #267, #268, #269, #270, #271, #272, #273, #274, #275, #276, #277, #278, #279, #280, #281, #282, #283, #284, #285, #286, #287, #288, #289, #290, #291, #292, #293, #294, #295, #296, #297, #298, #299, #300, #301, #302, #303, #304, #305, #306, #307, #308, #309, #310, #311, #312, #313, #314, #315, #316, #317, #318, #319, #320, #321, #322, #323, #324, #325, #326, #327, #328, #329, #330, #331, #332, #333, #334, #335, #336, #337, #338, #339, #340, #341, #342, #343, #344, #345, #346, #347, #348, #349, #350, #351, #352, #353, #354, #355, #356, #357, #358, #359, #360, #361, #362, #363, #364, #365, #366, #367, #368, #369, #370, #371, #372, #373, #374, #375, #376, #377, #378, #379, #380, #381, #382, #383, #384, #385, #386, #387, #388, #389, #390, #391, #392, #393, #394, #395, #396, #397, #398, #399, #400, #401, #402, #403, #404, #405, #406, #407, #408, #409, #410, #411, #412, #413, #414, #415, #416, #417, #418, #419, #420, #421, #422, #423, #424, #425, #426, #427, #428, #429, #430, #431, #432, #433, #434, #435, #436, #437, #438, #439, #440, #441, #442, #443, #444, #445, #446, #447, #448, #449, #450, #451, #452, #453, #454, #455, #456, #457, #458, #459, #460, #461, #462, #463, #464, #465, #466, #467, #468, #469, #470, #471, #472, #473, #474, #475, #476, #477, #478, #479, #480, #481, #482, #483, #484, #485, #486, #487, #488, #489, #490, #491, #492, #493, #494, #495, #496, #497, #498, #499, #500, #501, #502, #503, #504, #505, #506, #507, #508, #509, #510, #511, #512, #513, #514, #515, #516, #517, #518, #519, #520, #521, #522, #523, #524, #525, #526, #527, #528, #529, #530, #531, #532, #533, #534, #535, #536, #537, #538, #539, #540, #541, #542, #543, #544, #545, #546, #547, #548, #549, #550, #551, #552, #553, #554, #555, #556, #557, #558, #559, #560, #561, #562, #563, #564, #565, #566, #567, #568, #569, #570, #571, #572, #573, #574, #575, #576, #577, #578, #579, #580, #581, #582, #583, #584, #585, #586, #587, #588, #589, #590, #591, #592, #593, #594, #595, #596, #597, #598, #599, #600, #601, #602, #603, #604, #605, #606, #607, #608, #609, #610, #611, #612, #613, #614, #615, #616, #617, #618, #619, #620, #621, #622, #623, #624, #625, #626, #627, #628, #629, #630, #631, #632, #633, #634, #635, #636, #637, #638, #639, #640, #641, #642, #643, #644, #645, #646, #647, #648, #649, #650, #651, #652, #653, #654, #655, #656, #657, #658, #659, #660, #661, #662, #663, #664, #665, #666, #667, #668, #669, #670, #671, #672, #673, #674, #675, #676, #677, #678, #679, #680, #681, #682, #683, #684, #685, #686, #687, #688, #689, #690, #691, #692, #693, #694, #695, #696, #697, #698, #699, #700, #701, #702, #703, #704, #705, #706, #707, #708, #709, #710, #711, #712, #713, #714, #715, #716, #717, #718, #719, #720, #721, #722, #723, #724, #725, #726, #727, #728, #729, #730, #731, #732, #733, #734, #735, #736, #737, #738, #739, #740, #741, #742, #743, #744, #745, #746, #747, #748, #749, #750, #751, #752, #753, #754, #755, #756, #757, #758, #759, #760, #761, #762, #763, #764, #765, #766, #767, #768, #769, #770, #771, #772, #773, #774, #775, #776, #777, #778, #779, #780, #781, #782, #783, #784, #785, #786, #787, #788, #789, #790, #791, #792, #793, #794, #795, #796, #797, #798, #799, #800, #801, #802, #803, #804, #805, #806, #807, #808, #809, #810, #811, #812, #813, #814, #815, #816, #817, #818, #819, #820, #821, #822, #823, #824, #825, #826, #827, #828, #829, #830, #831, #832, #833, #834, #835, #836, #837, #838, #839, #840, #841, #842, #843, #844, #845, #846, #847, #848, #849, #850, #851, #852, #853, #854, #855, #856, #857, #858, #859, #860, #861, #862, #863, #864, #865, #866, #867, #868, #869, #870, #871, #872, #873, #874, #875, #876, #877, #878, #879, #880, #881, #882, #883, #884, #885, #886, #887, #888, #889, #890, #891, #892, #893, #894, #895, #896, #897, #898, #899, #900, #901, #902, #903, #904, #905, #906, #907, #908, #909, #910, #911, #912, #913, #914, #915, #916, #917, #918, #919, #920, #921, #922, #923, #924, #925, #926, #927, #928, #929, #930, #931, #932, #933, #934, #935, #936, #937, #938, #939, #940, #941, #942, #943, #944, #945, #946, #947, #948, #949, #950, #951, #952, #953, #954, #955, #956, #957, #958, #959, #960, #961, #962, #963, #964, #965, #966, #967, #968, #969, #970, #971, #972, #973, #974, #975, #976, #977, #978, #979, #980, #981, #982, #983, #984, #985, #986, #987, #988, #989, #990, #991, #992, #993, #994, #995, #996, #997, #998, #999, #1000		



〈FANUC A22+ 輝環聯軸器〉

MODEL: GX-XR 1300/1600	PART NUMBER: GX 000000262D
PART NAME: SPINDLE TRANSMISSION(DDS,CTS)	PAGE 1 OF 1
主軸傳動FANUC A22直結式,中心給水	REV. M
DATE 2008/8/29	SCALE 1:8
AUSTIN TON PHIL	

# PRODUCT BOM MASTER AND SUB-ITEMS LIST

\*\*\*\*\*

Master Item Part NO.: GX 000000262D

Description: SPINDLE TRANSMISSION(DDS,CTS)  
主軸傳動(FANUC A22直結式,中心給水)

Item	Part NO.	Description	中文名稱	Specification	Qty	Unit
1.01	GX 000026401D	HEADSTOCK	主軸箱	L1004XW654XH653	1.00	EA
2.02	NVA001042121A	REAR COVER,SPINDLE	後軸蓋	D163XD67XL38	1.00	EA
3.00	MS 0104023	SOCKET HEAD CAP SCREW	六角穴圓頭螺絲	M10XP1.5XL45	6.00	EA
4.00	NV 001042120A	COVER,CLAMPING SEAT	打刀座蓋	D163XD90XL34.5	1.00	EA
5.00	MS 0104021	SOCKET HEAD CAP SCREW	六角穴圓頭螺絲	M10XP1.5XL35	7.00	EA
6.00	NV 00101160209	OIL SEALER	油封	ISI 90X105X9	1.00	EA
7.00	NV 00094310516	O-RING	O型油環	(JIS)G120(NOK)	1.00	EA
11.00	NV 000899057A	COVER	噪音蓋	L40XW17.6XT2.3	1.00	EA
12.00	MS 0103414	SOCKET HEAD CAP SCREW	六角穴圓頭螺絲	M4XP0.7XL8	2.00	EA
13.00	MW 0183410	SPRING WASHER	彈簧墊圈	M4(HEAT TREATMENT)	2.00	EA
14.01	NVB000899062A	PLATE, CYLINDER	油壓缸底板	L180XW180XH175	1.00	EA
15.00	MS 0104020	SOCKET HEAD CAP SCREW	六角穴圓頭螺絲	M10XP1.5XL30	4.00	EA
16.00	MW 0184010	SPRING WASHER	彈簧墊圈	M10(HEAT TREATMENT)	4.00	EA
17.01	NV 000291739A	BOOSTER CYLINDER	增壓缸(含電磁閥 急速排器 消音器 油杯)	[CHEN SOUJW-1000	1.00	EA
18.00	MS 0104024	SOCKET HEAD CAP SCREW	六角穴圓頭螺絲	M10XP1.5XL50	4.00	EA
19.00	MW 0184010	SPRING WASHER	彈簧墊圈	M10(HEAT TREATMENT)	4.00	EA
20.00	NV 001066256A	BLOCK, ADAPTER	油壓接頭座	L58XW22.5XH44	1.00	EA
21.00	MS 0103523	SOCKET HEAD CAP SCREW	六角穴圓頭螺絲	(TANSHING)M5XP0.8XL45	2.00	EA
22.00	NVA000049232A	LOCKNUT	鎖緊螺帽	M65XD90XL17	1.00	EA

\*\*\*\*\*  
**PRODUCT BOM MASTER AND SUB-ITEMS LIST**  
 \*\*\*\*\*

Item	Part NO.	Description	中文名稱	Specification	Qty	Unit
23.00	MS 0103617	SOCKET HEAD CAP SCREW	六角圓頭螺絲	M6XP1.0XL16	1.00	EA
24.00	NV 001042123A	ADAPTER	水管接頭(鍍鋅)	D14XD7XL81	1.00	EA
25.00	NV 00090810106	ROTATING UNIONS(CTS+DDS)	旋轉接頭(中心給水+DDS)	DEUBLIN 1129-047-301-IC	1.00	ST
26.00	NV 001042130A	COVER,ROTATING UNION(CTS)	旋轉接頭蓋(中心給水)	D36XD18XL5	1.00	EA
27.01	NV 001042123A	ADAPTER	水管接頭(鍍鋅)	D14XD7XL81	1.00	EA
29.01	NV 001066259A	SEAT, MOTOR	馬達座	L260XW260XH171.5	1.00	EA
30.00	MS 0154222	HEX HD., FULL THD	六角頭螺絲	M12XP1.75XL40, ST12.9	4.00	EA
31.00	MW 0184210	SPRING WASHER	彈簧墊圈	M12(HEAT TREATMENT)	4.00	EA
32.00	NV 001042127A	SEAT, ROTATING UNION	旋轉接頭上座	D128XD34.9XL46.5	1.00	EA
33.00	MS 0103518	SOCKET HEAD CAP SCREW	六角圓頭螺絲	M5XP0.8XL20	3.00	EA
34.00	MS 0103421	SOCKET HEAD CAP SCREW	六角圓頭螺絲	M4XP0.7XL35	4.00	EA
35.00	NV 001042128A	SEAT, ROTATING UNION	旋轉接頭下座	D128XD31XL44	1.00	EA
36.00	MS 0103517	SOCKET HEAD CAP SCREW	六角圓頭螺絲	M5XP0.8XL16	6.00	EA
37.00	NV 00094310512	O-RING	O型油環	P7	6.00	EA
38.02	NVA001066257A	PLATE, MOTOR ADJUSTING	馬達校正板	L260XW260XH26	1.00	EA
39.00	MS 0154222	HEX HD., FULL THD	六角頭螺絲	M12XP1.75XL40, ST12.9	4.00	EA
40.00	MW 0184210	SPRING WASHER	彈簧墊圈	M12(HEAT TREATMENT)	4.00	EA
41.02	NV 001179224A	COUPLING, SPINDLE MOTOR	聯軸器(輝壕)	D105XD95XD60XD48XL126	1.00	EA
42.00	NV 000899060A	PLATE, MOTOR	馬達噪音蓋	L135XW130XH5	1.00	EA
43.00	MS 0103617	SOCKET HEAD CAP SCREW	六角圓頭螺絲	M6XP1.0XL16	5.00	EA
44.00	MW 0183610	SPRING WASHER	彈簧墊圈	M6(HEAT TREATMENT)	5.00	EA
45.00	MS 0154222	HEX HD., FULL THD	六角頭螺絲	M12XP1.75XL40, ST12.9	4.00	EA

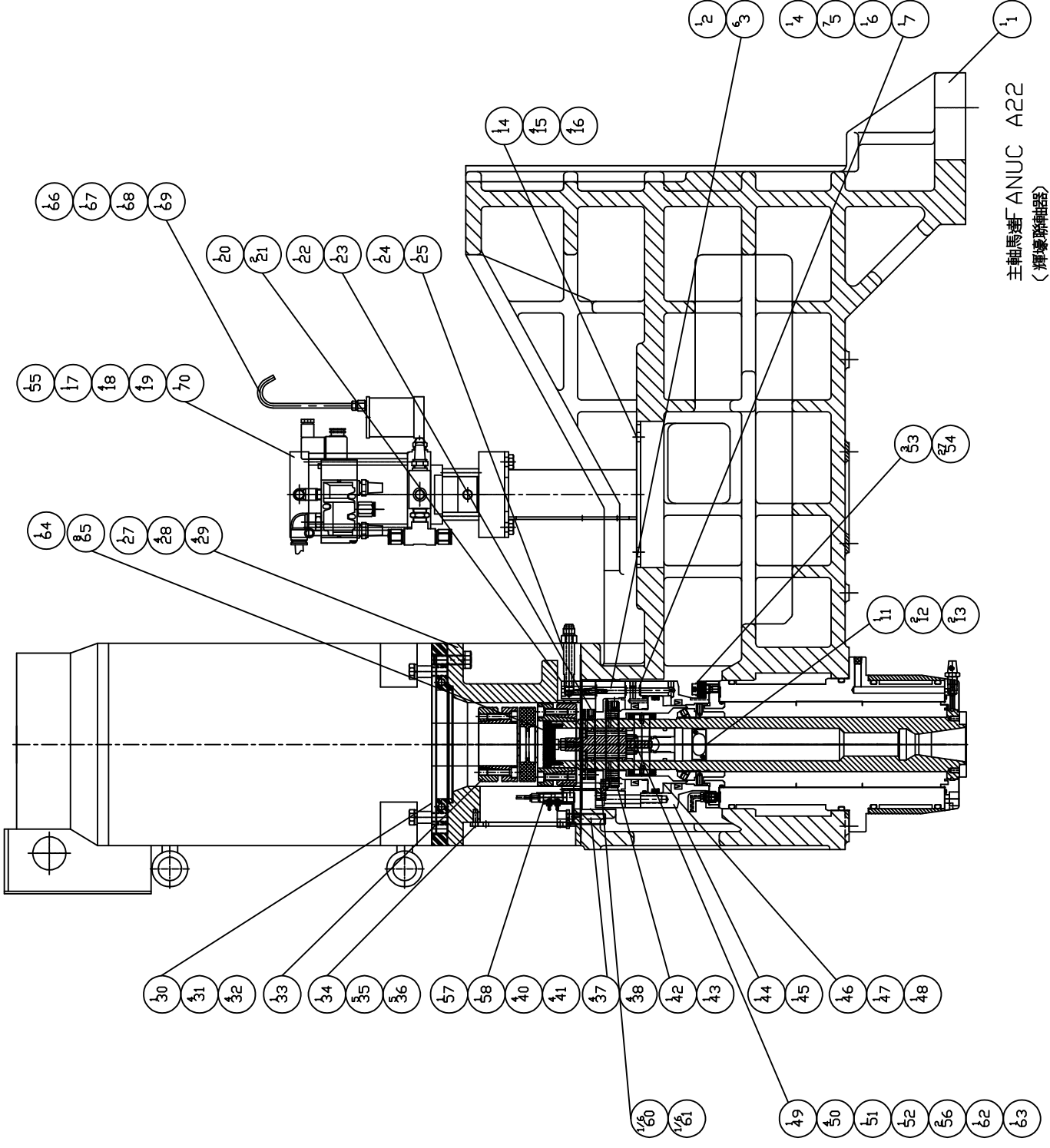
\*\*\*\*\*  
**PRODUCT BOM MASTER AND SUB-ITEMS LIST**  
 \*\*\*\*\*

Item	Part NO.	Description	中文名稱	Specification	Qty	Unit
46.00	MW 0184210	SPRING WASHER	彈簧墊圈	M12(HEAT TREATMENT)	4.00	EA
48.00	MS 0303313	BUTTON HD. SOCKET	六角穴半圓頭螺絲	M3XP0.5XL6	4.00	EA
49.00	MN 0113310	HEXAGON NUT	六角螺帽	M3XP0.5	4.00	EA
50.00	NVA000049233A	LOCKNUT	鎖緊螺帽	M88XD116XL17	1.00	EA
51.00	MS 0103618	SOCKET HEAD CAP SCREW	六角穴圓頭螺絲	M6XP1.0XL20	1.00	EA
52.03	NVA001042119A	SEAT, CLAMPING	打刀座	D163XD100XL100.5	1.00	EA
53.00	NV 00101160210	OIL SEALER	油封	ISI 100X115X9	1.00	EA
54.00	NV 001042126A	RING, CLAMPING	打刀缸內環	D125XD67XL105	1.00	EA
55.00	NV 00094310138	O-RING	O型油環	[NOK] P115	1.00	EA
56.00	NV 00111980103	RING, BACK UP	背托環	[JIS] P115	1.00	EA
57.02	NVB000403895A	SHAFT,MOVABLE RING	打刀環軸(調質處理)	D20XL77	1.00	EA
59.00	NV 00094310105	O-RING	O型油環	[JIS] P16	1.00	EA
60.00	NV 00094310106	O-RING	O型油環	[JIS] P12 (MADE IN JAPAN)	1.00	EA
61.03	NVA001042136A	ROTATING ADAPTER(CTS)	旋轉接頭(中心給水)	D41.8XD6XL168	1.00	EA
62.00	MS 0103525	SOCKET HEAD CAP SCREW	六角穴圓頭螺絲	M5XP0.8XL55	4.00	EA
63.00	NV 00094310117	O-RING	O型油環	[JIS] P36 (NOK)	2.00	EA
64.00	NV 000981333A	MOVABLE RING, DRAWBAR	打刀環	D79XD65XL35	1.00	EA
65.00	NV 000668427A	BOLT, SPINDLE	螺栓[凸肩螺絲]	D10XL16	3.00	EA
66.00	NV 000733501	DISK SPRING	碟型彈簧	D20XD10.2XL1.35(H0.8)	27.00	EA
69.01	NV 00069650306	HOSE, FLEXIBLE HYDRAULIC	耐油橡膠管	R1-Φ3/8"XW9/16"-18UNFX0.45M	1.00	EA
70.01	NV 000899058A	BRACKET,SENSOR,RIGHT	感測器座(右)	L30XW25XH28.5	1.00	EA
71.00	NV 000899059A	BRACKET,SENSOR,LEFT	感測器座(左)	L30XW25XH39.3	1.00	EA

\*\*\*\*\*  
**PRODUCT BOM MASTER AND SUB-ITEMS LIST**  
 \*\*\*\*\*

Item	Part NO.	Description	中文名稱	Specification	Qty	Unit
73.01	NVA001066263A	SHELF FOR CLAMPING SENSOR	打刀近接開關感應架(1台份/1個)	D143XD113.4XL50.28(1SET/6EA)	1.00	EA
74.00	NV 001066264A	SHELF FOR CLAMPING SENSOR	近接開關架墊(1台份/1個)	D143XD90XH6(1SET/6EA)	1.00	EA
75.00	MS 0103822	SOCKET HEAD CAP SCREW	六角六圓頭螺絲	M8XP1.25XL40	1.00	EA
76.00	MN 0113810	HEXAGON NUT	六角螺帽	M8XP1.25	1.00	EA
77.00	NV 001021567A	REAR COVER, SPINDLE(CTS)	主軸後軸蓋(中心給水)	D59XD24XL44	1.00	EA
78.00	MS 0103417	SOCKET HEAD CAP SCREW	六角六圓頭螺絲	M4XP0.7XL16	8.00	EA
79.00	NV 00077031102	THIMBLE NUT, BRASS	套管帽	M10XΦ6.1	1.00	EA
80.00	NV 00069660401	THIMBLE, BRASS	套管	Φ6	1.00	EA
81.00	NV 00077031201	BUSHING, BRASS	卜申接頭(卜申+套管+套管帽)	PT1/8XM10XP1	1.00	EA
82.00	NV 001187108A	OIL CUP, EXHAUST PIPE	油杯透氣管	D4XD6XL140	1.00	EA
83.00	NV 00069650289	HOSE, FLEXIBLE HYDRAULIC	耐油橡膠管(一直-90度)(耐壓15KG包綿紗)	Φ 3/8"XW9/16"-18UNFX0.4M	1.00	EA
84.04	NVA000799084J	PLATE , SPINDLE MOTER COVER	主軸馬達側面蓋板	55X47X2.3	1.00	EA
85.01	GX 000799083D	COVER , SPINDLE MOTER(CTS)	主軸馬達中心給水蓋板	262X262X200	1.00	EA
86.02	GX 000799083D	COVER , SPINDLE MOTER(CTS)	主軸馬達中心給水蓋板	262X262X200	1.00	EA

REV	DESCRIPTION	DATE	ECN
A	發行圖紙	2008/8/29	1473
B	#49NV 0004215A-NVAD004215A-164LKS	2008/12/08	1574
C	#49NV #67, #68, #69, #70	2009/11/03	1703
D	#20NV 0004212A-NVAD004212A-164LKS	2009/11/03	1703
E	#52 NV 0004215A-NVAD004215A-164LKS	2009/12/09	1714
F	#49NV 0004215A-NVAD004215A-164LKS	2009/12/09	1757
G	#49NV 0004215A-NVAD004215A-164LKS	2009/12/09	1757
H	#44NV 0004215A-NVAD004215A-164LKS	2009/12/09	1807
I	#44NV 0004215A-NVAD004215A-164LKS	2009/12/09	1807
J	#49NV 000696502839	2009/11/19	1928
K	#52, #49(NVA-NV)R2	2010/07/12	2309



主軸馬達ANUC A22  
(輝燈聯軸器)

MODEL: GX-XR 1300/1600	PART NUMBER GX 000000261D
PART NAME SPINDLE TRANSMISSION(KIDS, w/o CTS)	PAGE 1 OF 1
主軸傳動ANUC A22 直結式, 無中心給水	REV. K
DATE 2008/8/29	AUSTIN PHIL
SCALE 1:8	

PRODUCT BOM MASTER AND SUB-ITEMS LIST  
\*\*\*\*\*

Master Item Part NO.: GX 00000261D

Description: SPINDLE TRANSMISSION(DDS,W/O C  
主軸傳動(FANUC A22直結式,無中心給水))

Item	Part NO.	Description	中文名稱	Specification	Qty	Unit
1.01	GX 000026401D	HEADSTOCK	主軸箱	L1004XW654XH653	1.00	EA
2.02	NVA001042121A	REAR COVER,SPINDLE	後軸蓋	D163XD67XL38	1.00	EA
3.00	MS 0104023	SOCKET HEAD CAP SCREW	六角穴圓頭螺絲	M10XP1.5XL45	1.00	EA
4.00	NV 001042120A	COVER,CLAMPING SEAT	打刀座蓋	D163XD90XL34.5	1.00	EA
5.00	MS 0104021	SOCKET HEAD CAP SCREW	六角穴圓頭螺絲	M10XP1.5XL35	1.00	EA
6.00	NV 00101160209	OIL SEALER	油封	ISI 90X105X9	1.00	EA
7.00	NV 00094310516	O-RING	O型油環	(JIS)G120(NOK)	1.00	EA
11.00	NV 000899057A	COVER	噪音蓋	L40XW17.6XT2.3	1.00	EA
12.00	MS 0103414	SOCKET HEAD CAP SCREW	六角穴圓頭螺絲	M4XP0.7XL8	1.00	EA
13.00	MW 0183410	SPRING WASHER	彈簧墊圈	M4(HEAT TREATMENT)	1.00	EA
14.01	NVB000899062A	PLATE, CYLINDER	油壓缸底板	L180XW180XH175	1.00	EA
15.00	MS 0104020	SOCKET HEAD CAP SCREW	六角穴圓頭螺絲	M10XP1.5XL30	1.00	EA
16.00	MW 0184010	SPRING WASHER	彈簧墊圈	M10(HEAT TREATMENT)	1.00	EA
17.01	NV 000291739A	BOOSTER CYLINDER	增壓缸(含電磁閥 急速排器 消音器 油杯)	[CHEN SOUJW-1000	1.00	EA
18.00	MS 0104024	SOCKET HEAD CAP SCREW	六角穴圓頭螺絲	M10XP1.5XL50	1.00	EA
19.00	MW 0184010	SPRING WASHER	彈簧墊圈	M10(HEAT TREATMENT)	1.00	EA
20.00	NV 001066256A	BLOCK, ADAPTER	油壓接頭座	L58XW22.5XH44	1.00	EA
21.00	MS 0103523	SOCKET HEAD CAP SCREW	六角穴圓頭螺絲	(TANSHING)M5XP0.8XL45	1.00	EA
22.00	NVA000049232A	LOCKNUT	鎖緊螺帽	M65XD90XL17	1.00	EA
23.00	MS 0103617	SOCKET HEAD CAP SCREW	六角穴圓頭螺絲	M6XP1.0XL16	1.00	EA

\*\*\*\*\*  
**PRODUCT BOM MASTER AND SUB-ITEMS LIST**  
 \*\*\*\*\*

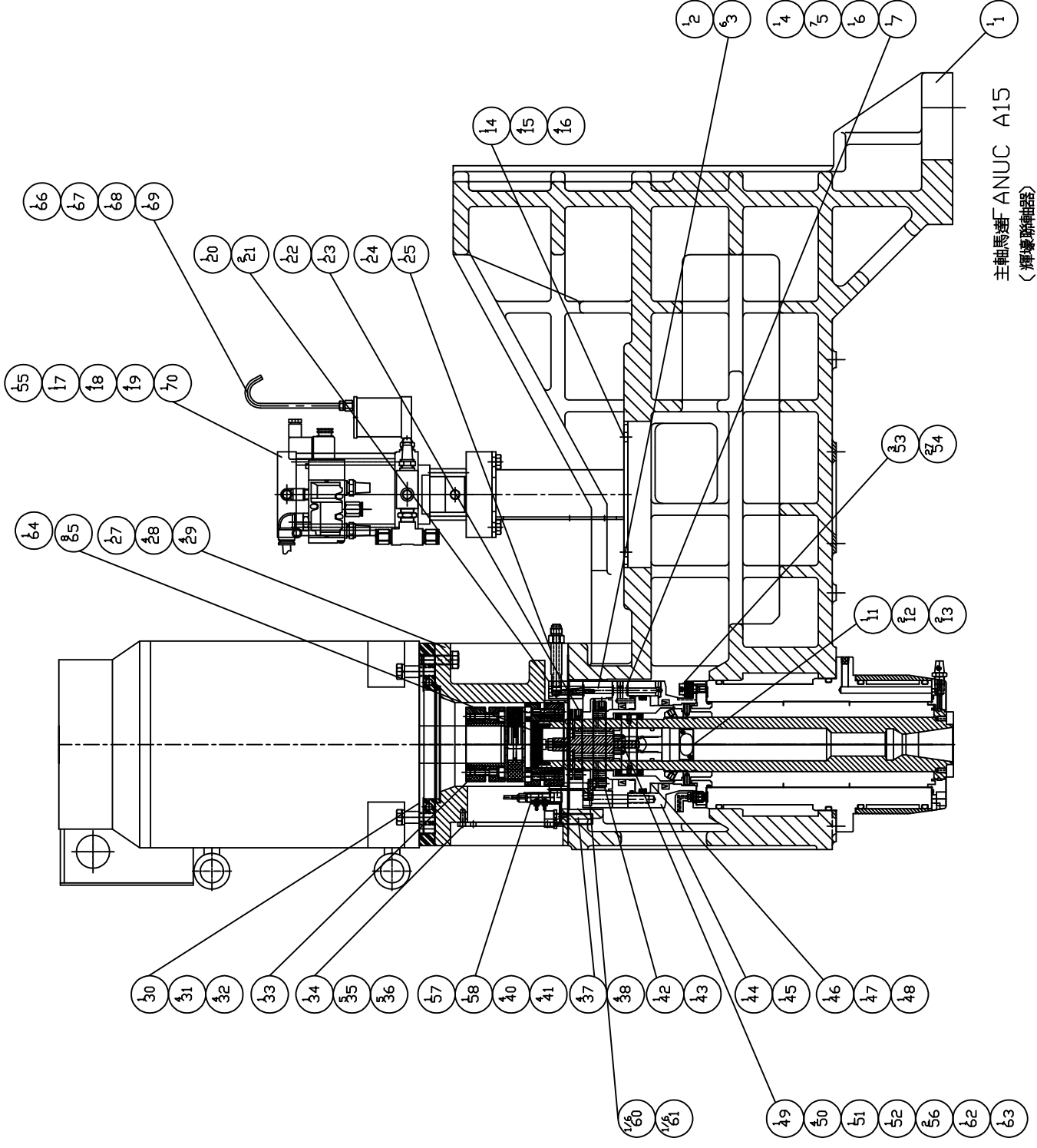
Item	Part NO.	Description	中文名稱	Specification	Qty	Unit
24.00	NV 001042123A	ADAPTER	水管接頭(鍍鋅)	D14XD7XL81	1.00	EA
25.01	NV 001042123A	ADAPTER	水管接頭(鍍鋅)	D14XD7XL81	1.00	EA
27.01	NV 001066259A	SEAT, MOTOR	馬達座	L260XW260XH171.5	1.00	EA
28.00	MS 0154222	HEX HD., FULL THD	六角頭螺絲	M12XP1.75XL40, ST12.9	1.00	EA
29.00	MW 0184210	SPRING WASHER	彈簧墊圈	M12(HEAT TREATMENT)	1.00	EA
30.02	NVA001066257A	PLATE, MOTOR ADJUSTING	馬達校正板	L260XW260XH26	1.00	EA
31.00	MS 0154222	HEX HD., FULL THD	六角頭螺絲	M12XP1.75XL40, ST12.9	1.00	EA
32.00	MW 0184210	SPRING WASHER	彈簧墊圈	M12(HEAT TREATMENT)	1.00	EA
33.01	NV 001179228A	COUPLING, SPINDLE MOTOR	聯軸器(輝壕)直結式A22	42-64-DES6.0(55-60)	1.00	EA
34.00	NV 000899060A	PLATE, MOTOR	馬達噪音蓋	L135XW130XH5	1.00	EA
35.00	MS 0103617	SOCKET HEAD CAP SCREW	六角穴圓頭螺絲	M6XP1.0XL16	1.00	EA
36.00	MW 0183610	SPRING WASHER	彈簧墊圈	M6(HEAT TREATMENT)	1.00	EA
37.00	MS 0154222	HEX HD., FULL THD	六角頭螺絲	M12XP1.75XL40, ST12.9	1.00	EA
38.00	MW 0184210	SPRING WASHER	彈簧墊圈	M12(HEAT TREATMENT)	1.00	EA
40.00	MS 0303313	BUTTON HD. SOCKET	六角穴半圓頭螺絲	M3XP0.5XL6	1.00	EA
41.00	MN 0113310	HEXAGON NUT	六角螺帽	M3XP0.5	1.00	EA
42.00	NVA000049233A	LOCKNUT	鎖緊螺帽	M88XD116XL17	1.00	EA
43.00	MS 0103618	SOCKET HEAD CAP SCREW	六角穴圓頭螺絲	M6XP1.0XL20	1.00	EA
44.03	NVA001042119A	SEAT, CLAMPING	打刀座	D163XD100XL100.5	1.00	EA
45.00	NV 00101160210	OIL SEALER	油封	ISI 100X115X9	1.00	EA
46.00	NV 001042126A	RING, CLAMPING	打刀缸內環	D125XD67XL105	1.00	EA
47.00	NV 00094310138	O-RING	O型油環	[NOK] P115	1.00	EA
48.00	NV 00111980103	RING, BACK UP	背托環	[JIS] P115	1.00	EA



\*\*\*\*\*  
**PRODUCT BOM MASTER AND SUB-ITEMS LIST**  
 \*\*\*\*\*

Item	Part NO.	Description	中文名稱	Specification	Qty	Unit
49.04	NVC001042134A	ROTATING ADAPTER	旋轉接頭	D41.8XD5.2XL92.5	1.00	EA
50.00	MS 0103525	SOCKET HEAD CAP SCREW	六角穴圓頭螺絲	M5XP0.8XL55	1.00	EA
51.00	NV 000981333A	MOVABLE RING, DRAWBAR	打刀環	D79XD65XL35	1.00	EA
52.03	NVB000403895A	SHAFT,MOVABLE RING	打刀環軸(調質處理)	D20XL77	1.00	EA
53.00	NV 000668427A	BOLT, SPINDLE	螺栓[凸肩螺絲]	D10XL16	1.00	EA
54.00	NV 000733501	DISK SPRING	碟型彈簧	D20XD10.2XL1.35(H0.8)	1.00	EA
55.01	NV 00069650306	HOSE, FLEXIBLE HYDRAULIC	耐油橡膠管	R1-Φ3/8"XW9/16"-18UNFX0.45M	1.00	EA
56.00	NV 00094310117	O-RING	O型油環	[JIS] P36 (NOK)	1.00	EA
58.01	NV 000899058A	BRACKET,SENSOR,RIGHT	感測器座(右)	L30XW25XH28.5	1.00	EA
59.00	NV 000899059A	BRACKET,SENSOR,LEFT	感測器座(左)	L30XW25XH39.3	1.00	EA
60.01	NVA001066263A	SHELF FOR CLAMPING SENSOR	打刀近接開關感應架(1台份/1個)	D143XD113.4XL50.28(1SET/6EA)	1.00	EA
61.00	NV 001066264A	SHELF FOR CLAMPING SENSOR	近接開關架墊(1台份/1個)	D143XD90XH6(1SET/6EA)	1.00	EA
62.00	MS 0303618	BUTTON HD. SOCKET	六角穴半圓頭螺絲	M6XP1.0XL20	1.00	EA
63.00	MN 0113610	HEXAGON NUT	六角螺帽	M6XP1.0	1.00	EA
64.00	NV 001021568A	REAR COVER, SPINDLE(NOT CTS)	主軸後軸蓋(無中心給水)	D59XD36XL13	1.00	EA
65.00	MS 0103417	SOCKET HEAD CAP SCREW	六角穴圓頭螺絲	M4XP0.7XL16	8.00	EA
66.00	NV 00077031102	THIMBLE NUT, BRASS	套管帽	M10XΦ6.1	1.00	EA
67.00	NV 00069660401	THIMBLE, BRASS	套管	Φ6	1.00	EA
68.00	NV 00077031201	BUSHING, BRASS	卜申接頭(卜申+套管+套管帽)	PT1/8XM10XP1	1.00	EA
69.00	NV 001187108A	OIL CUP, EXHAUST PIPE	油杯透氣管	D4XD6XL140	1.00	EA
70.00	NV 00069650289	HOSE, FLEXIBLE HYDRAULIC	耐油橡膠管(一直一90度)(耐壓15KG包綿紗)	Φ3/8"XW9/16"-18UNFX0.4M	1.00	EA

REV	DESCRIPTION	DATE	ECN
A	新機種	2012/12/13	



主軸馬達FANUC A15  
(輝線齒輪組)

MODEL: GX 1300/1600	PART NUMBER: GX 000000263D
PART NAME: SPINDLE TRANSMISSION(KDDS, w/o CTS)	PAGE 1 OF 1
PART NAME: 主軸傳動FANUC A15 直結式, 無中心給水	REV. A
DATE: 2012/12/13	SCALE: 1:8
DRAWN: [Blank]	CHECKED: [Blank]
DATE: [Blank]	DATE: [Blank]

# PRODUCT BOM MASTER AND SUB-ITEMS LIST

\*\*\*\*\*

Master Item Part NO.: GX 000000263D

Description: SPINDLE TRANSMISSION(DDS,W/O C

主軸傳動(FANUC A15直結式12/15K,無中心給水)

Item	Part NO.	Description	中文名稱	Specification	Qty	Unit
1.01	GX 000026401D	HEADSTOCK	主軸箱	L1004XW654XH653	1.00	EA
2.01	NVA001042121A	REAR COVER,SPINDLE	後軸蓋	D163XD67XL38	1.00	EA
3.00	MS 0104023	SOCKET HEAD CAP SCREW	六角穴圓頭螺絲	M10XP1.5XL45	1.00	EA
4.00	NV 001042120A	COVER,CLAMPING SEAT	打刀座蓋	D163XD90XL34.5	1.00	EA
5.00	MS 0104021	SOCKET HEAD CAP SCREW	六角穴圓頭螺絲	M10XP1.5XL35	1.00	EA
6.00	NV 00101160209	OIL SEALER	油封	ISI 90X105X9	1.00	EA
7.00	NV 00094310516	O-RING	O型油環	(JIS)G120(NOK)	1.00	EA
11.00	NV 000899057A	COVER	噪音蓋	L40XW17.6XT2.3	1.00	EA
12.00	MS 0103414	SOCKET HEAD CAP SCREW	六角穴圓頭螺絲	M4XP0.7XL8	1.00	EA
13.00	MW 0183410	SPRING WASHER	彈簧墊圈	M4(HEAT TREATMENT)	1.00	EA
14.00	NVB000899062A	PLATE, CYLINDER	油壓缸底板	L180XW180XH175	1.00	EA
15.00	MS 0104020	SOCKET HEAD CAP SCREW	六角穴圓頭螺絲	M10XP1.5XL30	1.00	EA
16.00	MW 0184010	SPRING WASHER	彈簧墊圈	M10(HEAT TREATMENT)	1.00	EA
17.00	NV 000291739A	BOOSTER CYLINDER	增壓缸(含電磁閥 急速排器 消音器 油杯)	[CHEN SOUJW-1000	1.00	EA
18.00	MS 0104024	SOCKET HEAD CAP SCREW	六角穴圓頭螺絲	M10XP1.5XL50	1.00	EA
19.00	MW 0184010	SPRING WASHER	彈簧墊圈	M10(HEAT TREATMENT)	1.00	EA
20.00	NV 001066256A	BLOCK, ADAPTER	油壓接頭座	L58XW22.5XH44	1.00	EA
21.00	MS 0103523	SOCKET HEAD CAP SCREW	六角穴圓頭螺絲	(TANSHING)M5XP0.8XL45	1.00	EA
22.00	NVA000049232A	LOCKNUT	鎖緊螺帽	M65XD90XL17	1.00	EA
23.00	MS 0103617	SOCKET HEAD CAP SCREW	六角穴圓頭螺絲	M6XP1.0XL16	1.00	EA

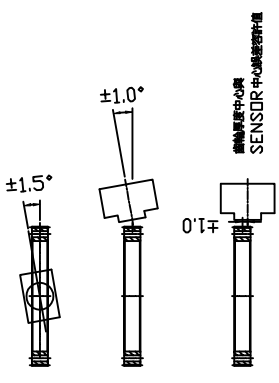
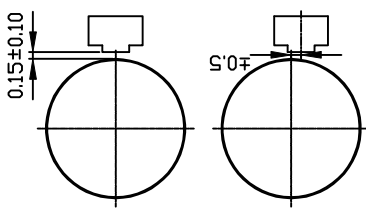
\*\*\*\*\*  
**PRODUCT BOM MASTER AND SUB-ITEMS LIST**  
 \*\*\*\*\*

Item	Part NO.	Description	中文名稱	Specification	Qty	Unit
24.00	NV 001042123A	ADAPTER	水管接頭(鍍鋅)	D14XD7XL81	1.00	EA
25.00	NV 001042123A	ADAPTER	水管接頭(鍍鋅)	D14XD7XL81	1.00	EA
27.00	NV 001066259A	SEAT, MOTOR	馬達座	L260XW260XH171.5	1.00	EA
28.00	MS 0154222	HEX HD., FULL THD	六角頭螺絲	M12XP1.75XL40, ST12.9	1.00	EA
29.00	MW 0184210	SPRING WASHER	彈簧墊圈	M12(HEAT TREATMENT)	1.00	EA
30.01	NVA001066257A	PLATE, MOTOR ADJUSTING	馬達校正板	L260XW260XH26	1.00	EA
31.00	MS 0154222	HEX HD., FULL THD	六角頭螺絲	M12XP1.75XL40, ST12.9	1.00	EA
32.00	MW 0184210	SPRING WASHER	彈簧墊圈	M12(HEAT TREATMENT)	1.00	EA
33.01	NV 001179224A	COUPLING, SPINDLE MOTOR	聯軸器(輝壕)	D105XD95XD60XD48XL126	1.00	EA
34.00	NV 000899060A	PLATE, MOTOR	馬達噪音蓋	L135XW130XH5	1.00	EA
35.00	MS 0103617	SOCKET HEAD CAP SCREW	六角六圓頭螺絲	M6XP1.0XL16	1.00	EA
36.00	MW 0183610	SPRING WASHER	彈簧墊圈	M6(HEAT TREATMENT)	1.00	EA
37.00	MS 0154222	HEX HD., FULL THD	六角頭螺絲	M12XP1.75XL40, ST12.9	1.00	EA
38.00	MW 0184210	SPRING WASHER	彈簧墊圈	M12(HEAT TREATMENT)	1.00	EA
40.00	MS 0303313	BUTTON HD. SOCKET	六角六半圓頭螺絲	M3XP0.5XL6	1.00	EA
41.00	MN 0113310	HEXAGON NUT	六角螺帽	M3XP0.5	1.00	EA
42.00	NVA000049233A	LOCKNUT	鎖緊螺帽	M88XD116XL17	1.00	EA
43.00	MS 0103618	SOCKET HEAD CAP SCREW	六角六圓頭螺絲	M6XP1.0XL20	1.00	EA
44.00	NVA001042119A	SEAT, CLAMPING	打刀座	D163XD100XL100.5	1.00	EA
45.00	NV 00101160210	OIL SEALER	油封	ISI 100X115X9	1.00	EA
46.00	NV 001042126A	RING, CLAMPING	打刀缸內環	D125XD67XL105	1.00	EA
47.00	NV 00094310138	O-RING	O型油環	[NOK] P115	1.00	EA
48.00	NV 00111980103	RING, BACK UP	背托環	[JIS] P115	1.00	EA

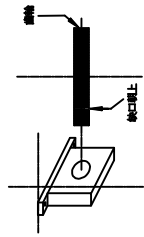
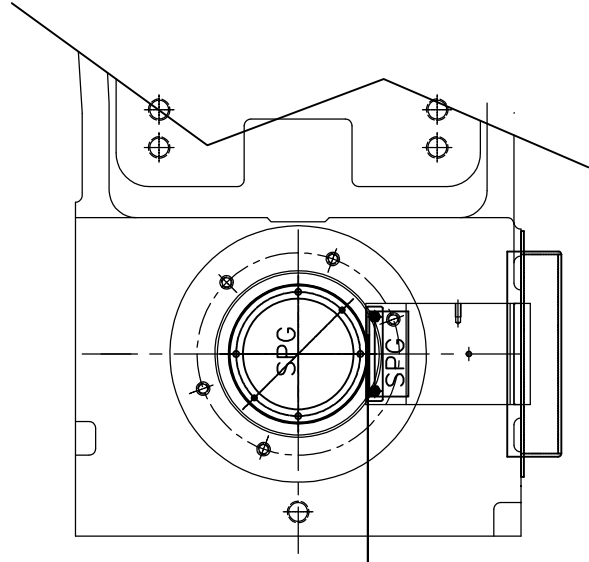
\*\*\*\*\*  
PRODUCT BOM MASTER AND SUB-ITEMS LIST  
\*\*\*\*\*

Item	Part NO.	Description	中文名稱	Specification	Qty	Unit
49.00	NVC001042134A	ROTATING ADAPTER	旋轉接頭	D41.8XD5.2XL92.5	1.00	EA
50.00	MS 0103525	SOCKET HEAD CAP SCREW	六角穴圓頭螺絲	M5XP0.8XL55	1.00	EA
51.00	NV 000981333A	MOVABLE RING, DRAWBAR	打刀環	D79XD65XL35	1.00	EA
52.00	NVB000403895A	SHAFT,MOVABLE RING	打刀環軸(調質處理)	D20XL77	1.00	EA
53.00	NV 000668427A	BOLT, SPINDLE	螺栓[凸肩螺絲]	D10XL16	1.00	EA
54.00	NV 000733501	DISK SPRING	碟型彈簧	D20XD10.2XL1.35(H0.8)	1.00	EA
55.00	NV 00069650306	HOSE, FLEXIBLE HYDRAULIC	耐油橡膠管	R1-Φ3/8"XW9/16"-18UNFX0.45M	1.00	EA
56.00	NV 00094310117	O-RING	O型油環	[JIS] P36 (NOK)	1.00	EA
57.00	NV 000899058A	BRACKET,SENSOR,RIGHT	感測器座(右)	L30XW25XH28.5	1.00	EA
58.00	NV 000899059A	BRACKET,SENSOR,LEFT	感測器座(左)	L30XW25XH39.3	1.00	EA
60.00	NVA001066263A	SHELF FOR CLAMPING SENSOR	打刀近接開關感應架(1台份/1個)	D143XD113.4XL50.28(1SET/6EA)	1.00	EA
61.00	NV 001066264A	SHELF FOR CLAMPING SENSOR	近接開關架墊(1台份/1個)	D143XD90XH6(1SET/6EA)	1.00	EA
62.00	MS 0303618	BUTTON HD. SOCKET	六角穴半圓頭螺絲	M6XP1.0XL20	1.00	EA
63.00	MN 0113610	HEXAGON NUT	六角螺帽	M6XP1.0	1.00	EA
64.00	NV 001021568A	REAR COVER, SPINDLE(NOT CTS)	主軸後軸蓋(無中心給水)	D59XD36XL13	1.00	EA
65.00	MS 0103417	SOCKET HEAD CAP SCREW	六角穴圓頭螺絲	M4XP0.7XL16	8.00	EA
66.00	NV 00077031102	THIMBLE NUT, BRASS	套管帽	M10XΦ6.1	1.00	EA
67.00	NV 00069660401	THIMBLE, BRASS	套管	Φ6	1.00	EA
68.00	NV 00077031201	BUSHING, BRASS	卜申接頭(卜申+套管+套管帽)	PT1/8XM10XP1	1.00	EA
69.00	NV 001187108A	OIL CUP, EXHAUST PIPE	油杯透氣管	D4XD6XL140	1.00	EA
70.00	NV 00069650289	HOSE, FLEXIBLE HYDRAULIC	耐油橡膠管(一直一90度)(耐壓15KG包綿紗)	Φ3/8"XW9/16"-18UNFX0.4M	1.00	EA

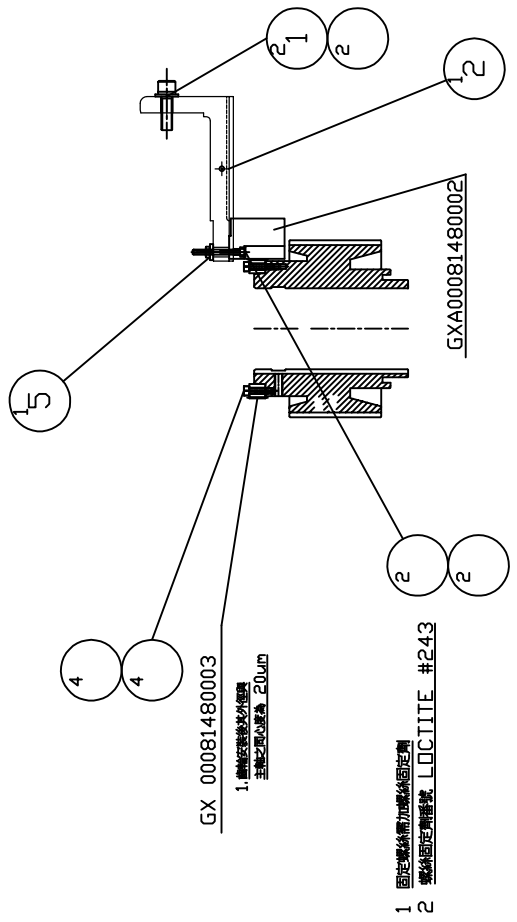
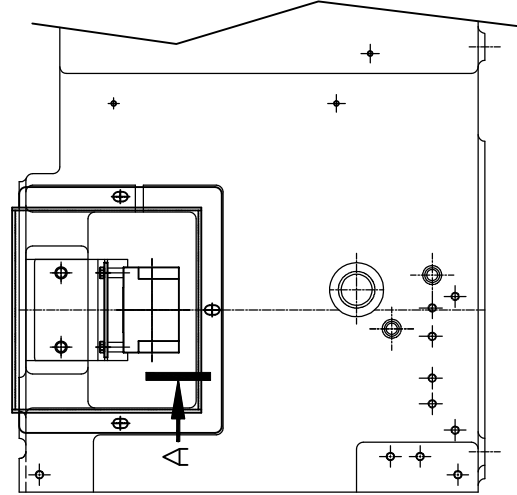
REV	DESCRIPTION	DATE	ECN
A	新打機	2006/10/22	212
B	井 3, 井 4 去磁	2008/12/05	2094



SENSOR 偵測面與齒輪外徑  
之間距:  $0.15 \pm 0.1 \text{mm}$



- 安裝注意事項
1. 安裝時齒輪外徑若有油污或雜物需先予清除
  2. SENSOR 偵測面與齒輪外徑之間距為  $0.15 \pm 0.1 \text{mm}$ .



A-VIEW

MODEL: GX 1300#40/GX 1600#40	PART NUMBER	GX 001178001D
PART NAME	SPINDLE ORIENTATION	
主軸方位定位	PAGE 1 OF 1	REV. B
DATE 2006/11/22	KURT GARY	SCALE 1:6

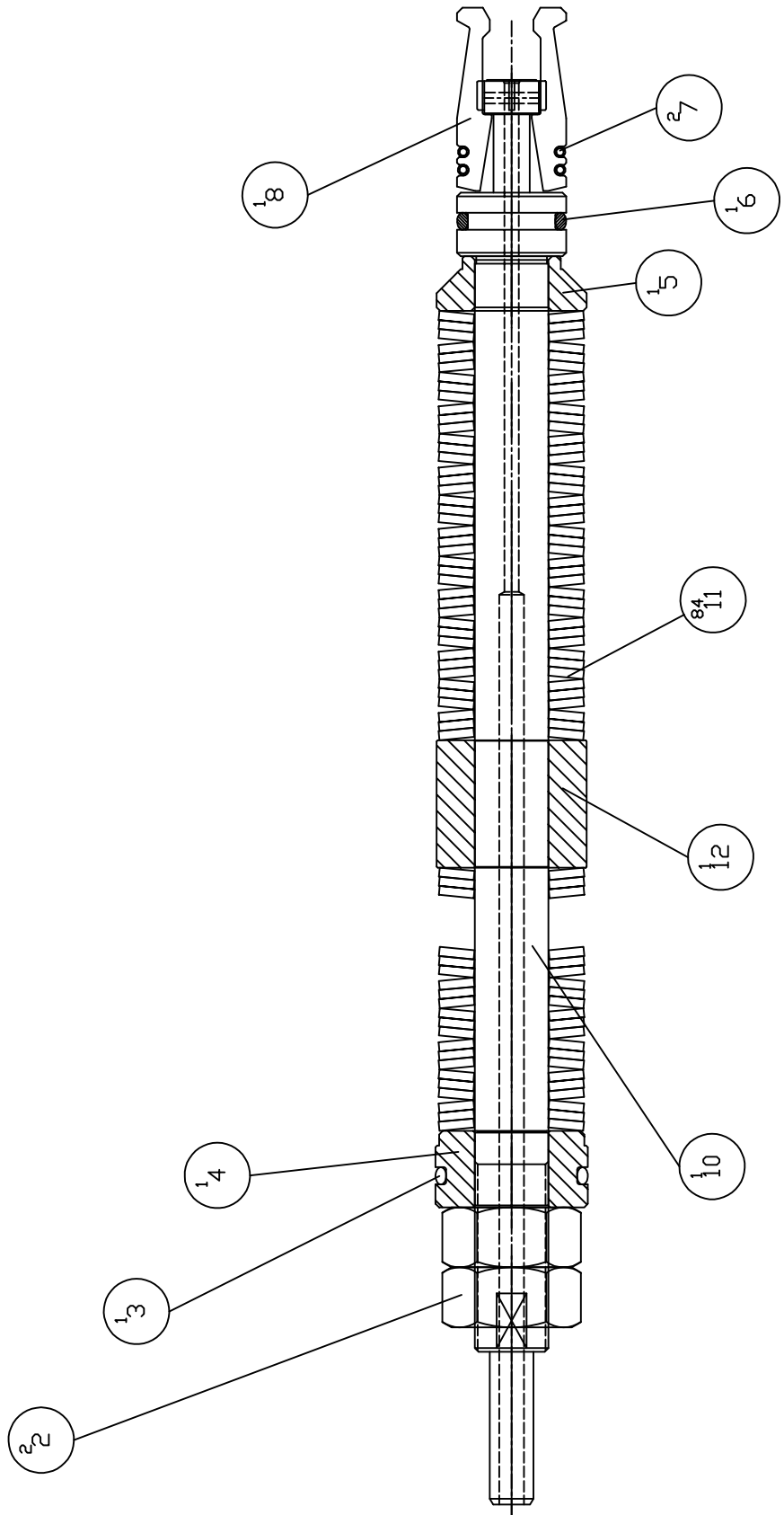
PRODUCT BOM MASTER AND SUB-ITEMS LIST  
\*\*\*\*\*

Master Item Part NO.: GX 001178001D

Description: SPINDLE ORIENTATION  
主軸定位

Item	Part NO.	Description	中文名稱	Specification	Qty	Unit
1.00	MS 0103820	SOCKET HEAD CAP SCREW	六角穴圓頭螺絲	M8XP1.25XL30	2.00	EA
2.02	GX 001066102D	BRACKET,ENCODER	計數器固定座	L122XW69XH74.9	1.00	ST
5.00	NV 000199005A	PLATE, ENCODER	計速器固定板	L70XW12XH2.3	1.00	EA

REV	DESCRIPTION	DATE	ECN
A	新規格、拉力中心給水高扭力機能	2008/11/12	L53
B	#10 NVA00048003A-NV/R00048003A	2002/07/11	1003185
B	#11 NV 007355006-NV/A007355006	2002/07/11	1003185



MODEL: GX 600/800/1000/1300/1600#40	PART NUMBER
PART NAME	NVC000048504AT
DRAWBAR ASSM(W/ CTS, HI-TORQUE)	PAGE 1 of 1
拉力棒(中心給水, 高扭力)	REV. B
DATE 2008/11/12	SCALE 1:2



\*\*\*\*\*  
PRODUCT BOM MASTER AND SUB-ITEMS LIST  
\*\*\*\*\*

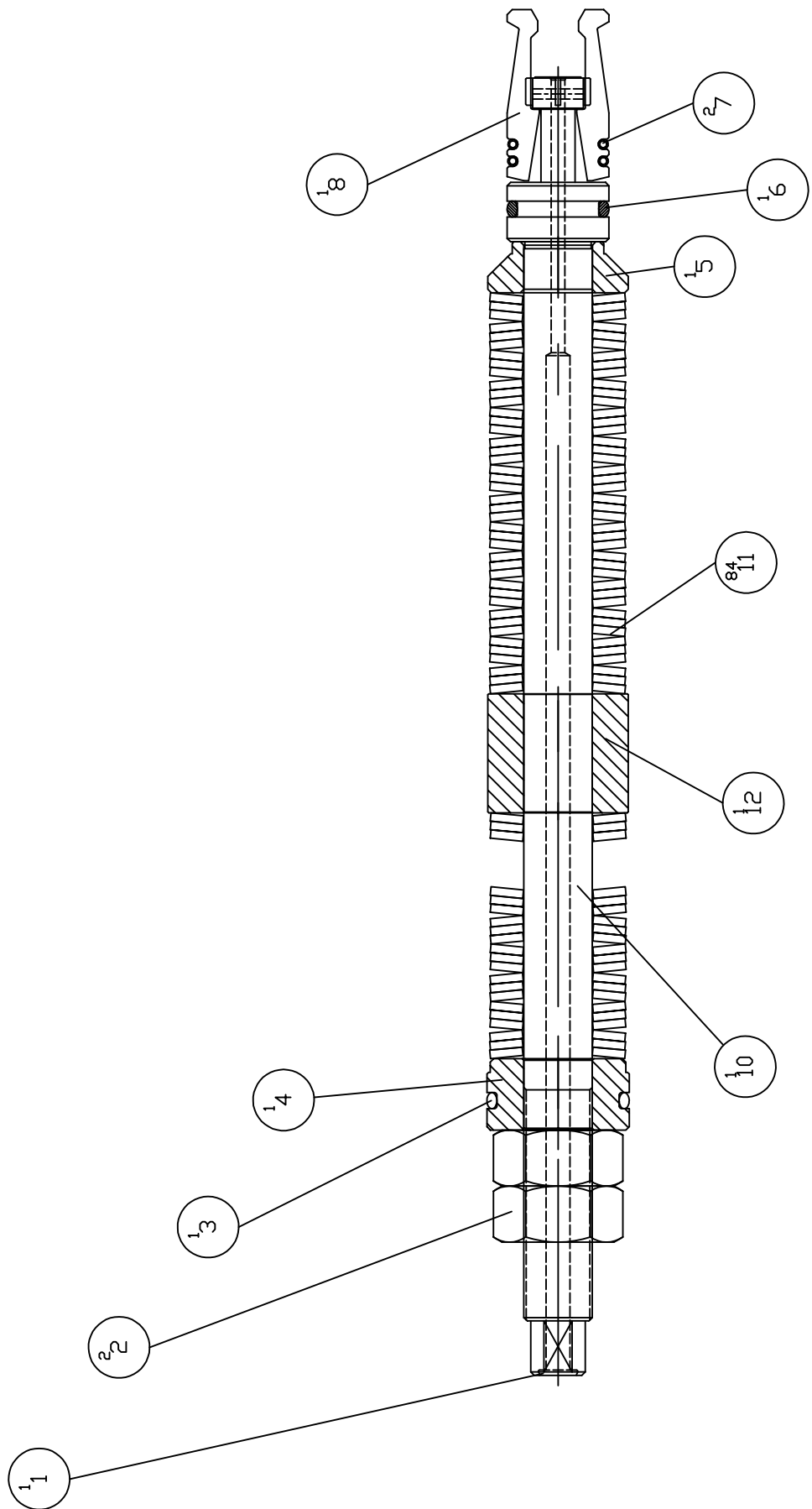
Master Item Part NO.: NVC000048504AT

Description: DRAWBAR (W/CTS, HI-TORQUE)

拉桿(中心給水, 高扭力)BT/CT/ANSI/ISO

Item	Part NO.	Description	中文名稱	Specification	Qty	Unit
2.00	MN 0114910	HEXAGON NUT	六角螺帽	M20XP1.5	2.00	EA
3.00	NV 00094310131	O-RING	O型油環	[NOK] 4DP36(VITON)	1.00	EA
4.01	NV 000048108A	BUSHING	襯套(主軸兩段變速)	D41.9XD20XL21	1.00	ST
5.01	NV 000417317A	WASHER, THRUST CTS	墊圈(主軸兩段變速,CTS)	D41XD20.2XL15.5	1.00	EA
6.00	NV 00094310130	O-RING	O型油環	[NOK] 4DP24(VITON)	1.00	EA
7.00	NVA000733502	SPRING, RETENTION KNOB	抓刀彈簧(#40)	D2.9XD1.95XL51	2.00	EA
8.00	NV 000806309A	HOLDER, RETENTION KNOB(BT40/CT	45度抓刀爪(BT40/CT40/ANSI40)	D30XD12XL50.3	1.00	EA
10.01	NVB000048003A	DRAWBAR, THR SPD COOLANT	拉桿(主軸兩段變速)BT/CT/ANSI/ISO · CTS	D30XD4XL391.5	1.00	ST
11.01	NVA00073350106	SHOT PEENED DISK SPRING	珠擊碟型彈簧片(高扭力)	40*20.5*2 (SHOT PEEN)	84.00	EA
12.01	NV 000179955A	SPACER OF DISK SPRING (HT)	碟型彈簧間隔環(HT)	D41X20X35T	1.00	EA

REV	DESCRIPTION	DATE	ECN
A	新規格、拉力無中心線水筒構造の完成図	2008/11/12	L531
B	#10 NV/00048002A-NV/00048002A	2002/07/11	1003185
B	#11 NV_00735006-NV/00735006	2002/07/11	1003185



MODEL: GX 600/800/1000/1300/1600#40	PART NUMBER
PART NAME	NVC000048501AT
DRAWBAR ASSM(W/D CTS, HI-TORQUE)	PAGE 1 of 1
拉棒、無中心線水筒、高扭力	REV. B
DATE 2008/11/13	SCALE 1:2

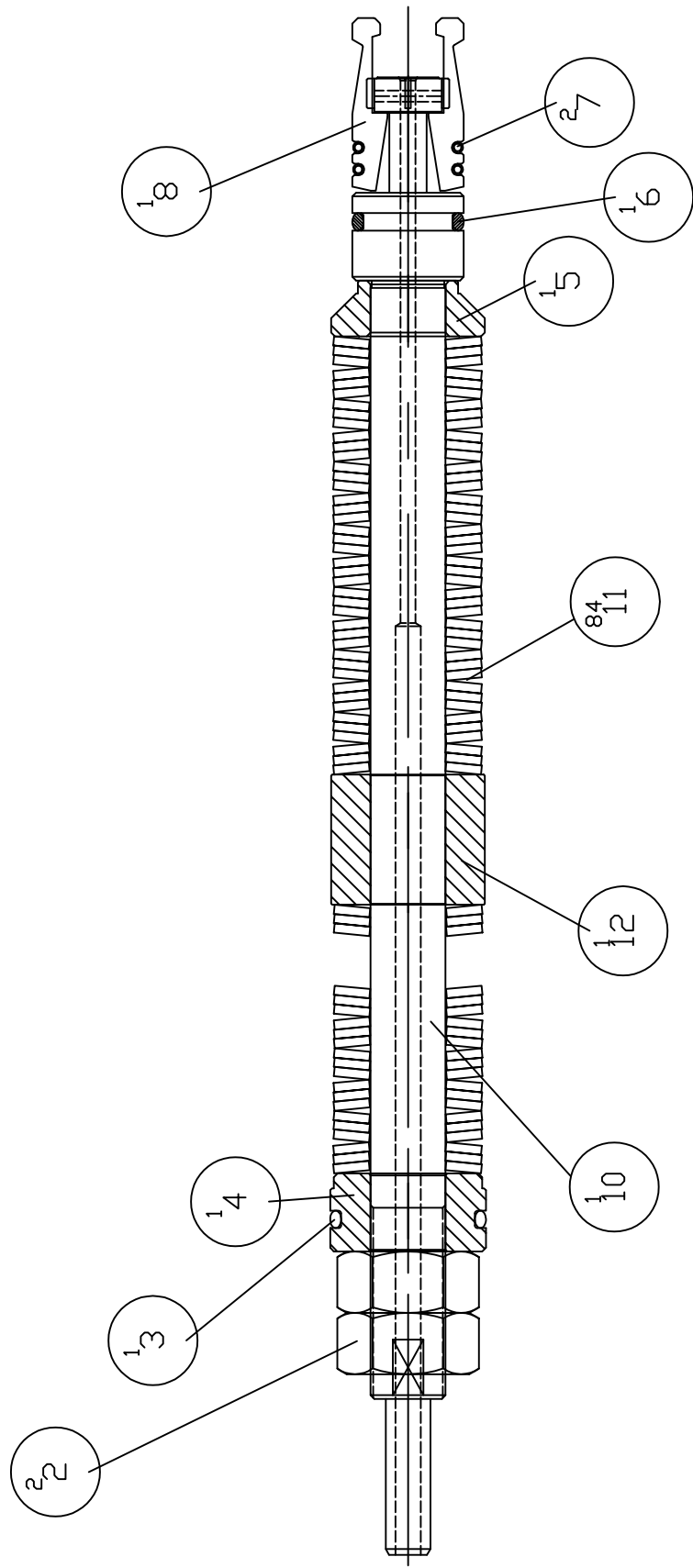
PRODUCT BOM MASTER AND SUB-ITEMS LIST  
\*\*\*\*\*

Master Item Part NO.: NVC000048501AT

Description: DRAWBAR (W/O CTS, HI-TORQUE)  
拉桿(無中心給水, 高扭力)BT/CT/ANSI/ISO

Item	Part NO.	Description	中文名稱	Specification	Qty	Unit
1.00	NV 00094310101	O-RING	O型油環	[JIS] P8, HS70 (NOK)	1.00	EA
2.00	MN 0114910	HEXAGON NUT	六角螺帽	M20XP1.5	2.00	EA
3.00	NV 00094310131	O-RING	O型油環	[NOK] 4DP36(VITON)	1.00	EA
4.01	NV 000048108A	BUSHING	襯套(主軸兩段變速)	D41.9XD20XL21	1.00	ST
5.01	NV 000417317A	WASHER, THRUST CTS	墊圈(主軸兩段變速, CTS)	D41XD20.2XL15.5	1.00	EA
6.00	NV 00094310130	O-RING	O型油環	[NOK] 4DP24(VITON)	1.00	EA
7.00	NVA000733502	SPRING, RETENTION KNOB	抓刀彈簧(#40)	D2.9XD1.95XL51	2.00	EA
8.00	NV 000806309A	HOLDER, RETENTION KNOB(BT40/CT	45度抓刀爪(BT40/CT40/ANSI40)	D30XD12XL50.3	1.00	EA
10.01	NVB000048002A	DRAWBAR, THR SPD COOLANT	拉桿(主軸兩段變速)BT/CT/ANSI/ISO	D30XD4XL382(W/O CTS)	1.00	ST
11.01	NVA00073350106	SHOT PEENED DISK SPRING	珠擊碟型彈簧片(高扭力)	40*20.5*2 (SHOT PEEN)	84.00	EA
12.01	NV 000179955A	SPACER OF DISK SPRING (HT)	碟型彈簧間隔環(HT)	D41X20X35T	1.00	EA

REV	DESCRIPTION	DATE	ECN
A	新規格, 拉力棒及び中心給水機の改良	2008/11/12	L53
B	#10 NV400048007A-NV400048007A	2002/07/1	1003185
B	#11 NV_000735011-NV400735011	2002/07/1	1003185



MODEL: GX 600/800/1000/1300/1600#40	PART NUMBER	NV400048520AT
PART NAME	DRAWBAR ASSMKS40, CTS, HI-TORQUE	PAGE 1 of 1
DATE 2008/11/12	SCALE 1:2	REV. B

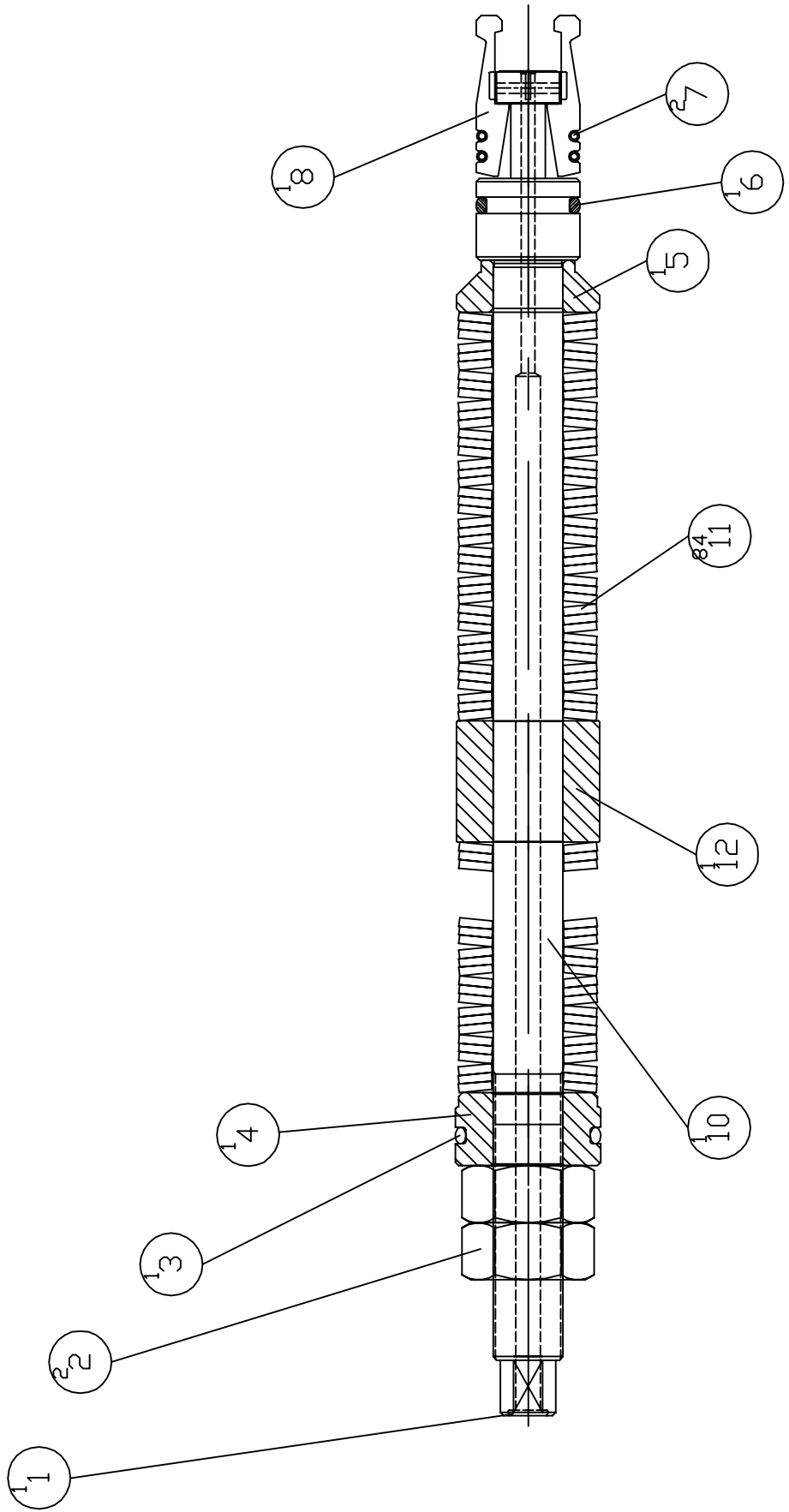
\*\*\*\*\*  
PRODUCT BOM MASTER AND SUB-ITEMS LIST  
\*\*\*\*\*

Master Item Part NO.: NVB000048520AT

Description: DRAWBAR(SK40,W/CTS,HI-TORQUE)  
拉桿(SK40, 中心給水, 高扭力)

Item	Part NO.	Description	中文名稱	Specification	Qty	Unit
2.00	MN 0114910	HEXAGON NUT	六角螺帽	M20XP1.5	2.00	EA
3.00	NV 00094310131	O-RING	O型油環	[NOK] 4DP36(VITON)	1.00	EA
4.01	NV 000048108A	BUSHING	襯套(主軸兩段變速)	D41.9XD20XL21	1.00	ST
5.01	NV 000417317A	WASHER, THRUST CTS	墊圈(主軸兩段變速,CTS)	D41XD20.2XL15.5	1.00	EA
6.00	NV 00094310130	O-RING	O型油環	[NOK] 4DP24(VITON)	1.00	EA
7.00	NVA000733502	SPRING, RETENTION KNOB	抓刀彈簧(#40)	D2.9XD1.95XL51	2.00	EA
8.00	NV 000806310A	HOLDER, RETENTION KNOB(SK40)	75度抓刀爪(SK40)	D30XD11XL46.5	1.00	EA
10.01	NVB000048007A	DRAWBAR, THR SPD COOLANT(SK40)	拉桿(中心給水)(主軸兩段變速)(SK40)	D30XD4XL391.5	1.00	ST
11.01	NVA00073350106	SHOT PEENED DISK SPRING	珠擊碟型彈簧片(高扭力)	40*20.5*2 (SHOT PEEN)	84.00	EA
12.01	NV 000179955A	SPACER OF DISK SPRING (HT)	碟型彈簧間隔環(HT)	D41X20X35T	1.00	EA

REV	DESCRIPTION	DATE	ECN
A	新規格、拉桿増力部の仕様変更	2008/02/11	01
B	#10 NVB0004806A-3N/0004806A	2002/07/10	03105
B	#11 NV 0007350011-NVAD07350011	2002/07/10	03105



MODEL: GX 600/800/1000/1300/1600#40
PART NAME DRAWBAR ASSM SK40, W/O CTS, HI-TORQUE 拉桿 SK40, 無中心給水, 高扭力
PART NUMBER NVB000048513AT
PAGE 1 of 1
DATE 2008/11/12
SCALE 1:2
REV. B

# PRODUCT BOM MASTER AND SUB-ITEMS LIST

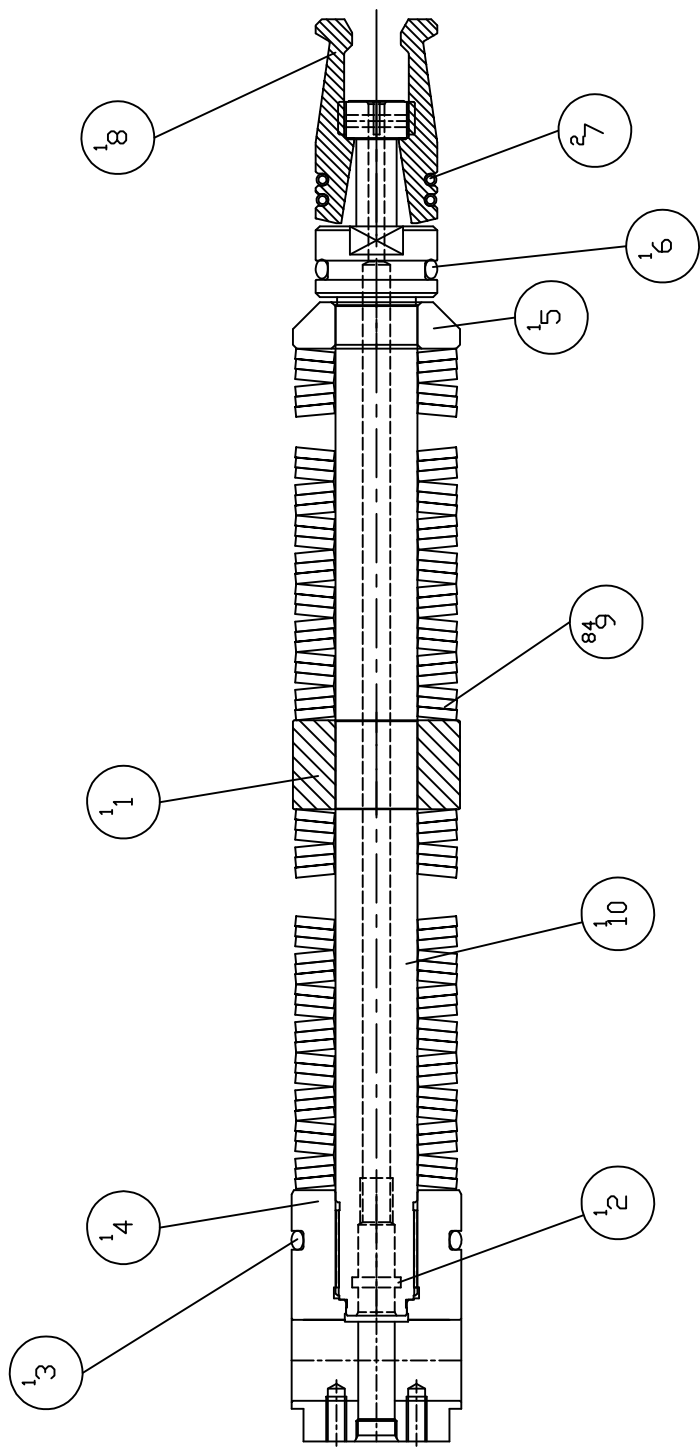
\*\*\*\*\*

Master Item Part NO.: NVB000048513AT

Description: DRAWBAR(SK40,W/O CTS,HI-TORQUE  
拉桿(SK40,無中心給水,高扭力)

Item	Part NO.	Description	中文名稱	Specification	Qty	Unit
1.00	NV 00094310101	O-RING	O型油環	[JIS] P8, HS70 (NOK)	1.00	EA
2.00	MN 0114910	HEXAGON NUT	六角螺帽	M20XP1.5	2.00	EA
3.00	NV 00094310131	O-RING	O型油環	[NOK] 4DP36(VITON)	1.00	EA
4.01	NV 000048108A	BUSHING	襯套(主軸兩段變速)	D41.9XD20XL21	1.00	ST
5.01	NV 000417317A	WASHER, THRUST CTS	墊圈(主軸兩段變速,CTS)	D41XD20.2XL15.5	1.00	EA
6.00	NV 00094310130	O-RING	O型油環	[NOK] 4DP24(VITON)	1.00	EA
7.00	NVA000733502	SPRING, RETENTION KNOB	抓刀彈簧(#40)	D2.9XD1.95XL51	2.00	EA
8.00	NV 000806310A	HOLDER, RETENTION KNOB(SK40)	75度抓刀爪(SK40)	D30XD11XL46.5	1.00	EA
10.01	NVB000048006A	DRAWBAR, THR SPD COOLANT(SK40)	拉桿(主軸兩段變速)(SK40)	D30XD4XL382	1.00	ST
11.01	NVA00073350106	SHOT PEENED DISK SPRING	珠擊碟型彈簧片(高扭力)	40*20.5*2 (SHOT PEEN)	84.00	EA
12.01	NV 000179955A	SPACER OF DISK SPRING (HT)	碟型彈簧間隔環(HT)	D41X20X35T	1.00	EA

REV	DESCRIPTION	DATE	ECN
A	新零件	2007/10/26	B53
B	修改#1, 改厚度为2.000	2008/10/21	1514
C	新零件 50-SAX	2009/10/16	1696
D	修改#1, 改厚度为2.200	2009/10/16	2013
E	#10 #4(NV-NVA)	2010/7/1	2305
F	#10 NV/NO04801A-NV/NO004801A	2012/10/1	1003185
F	#9 NV/NO07350106-NV/NO07350106	2012/10/1	1003185



MODEL: VMC-600/800/1000 GX-XR 1300/1600 GXE50-SAX	
PART NAME	PART NUMBER
DRAW BAR ASSM(DDS,BT/CT/ANSI)	NV 000048552A
拉伸直結式,BT/CT/ANSI	PAGE 1 of 1
DATE 2007/10/26	REV. F
SCALE 1:2	



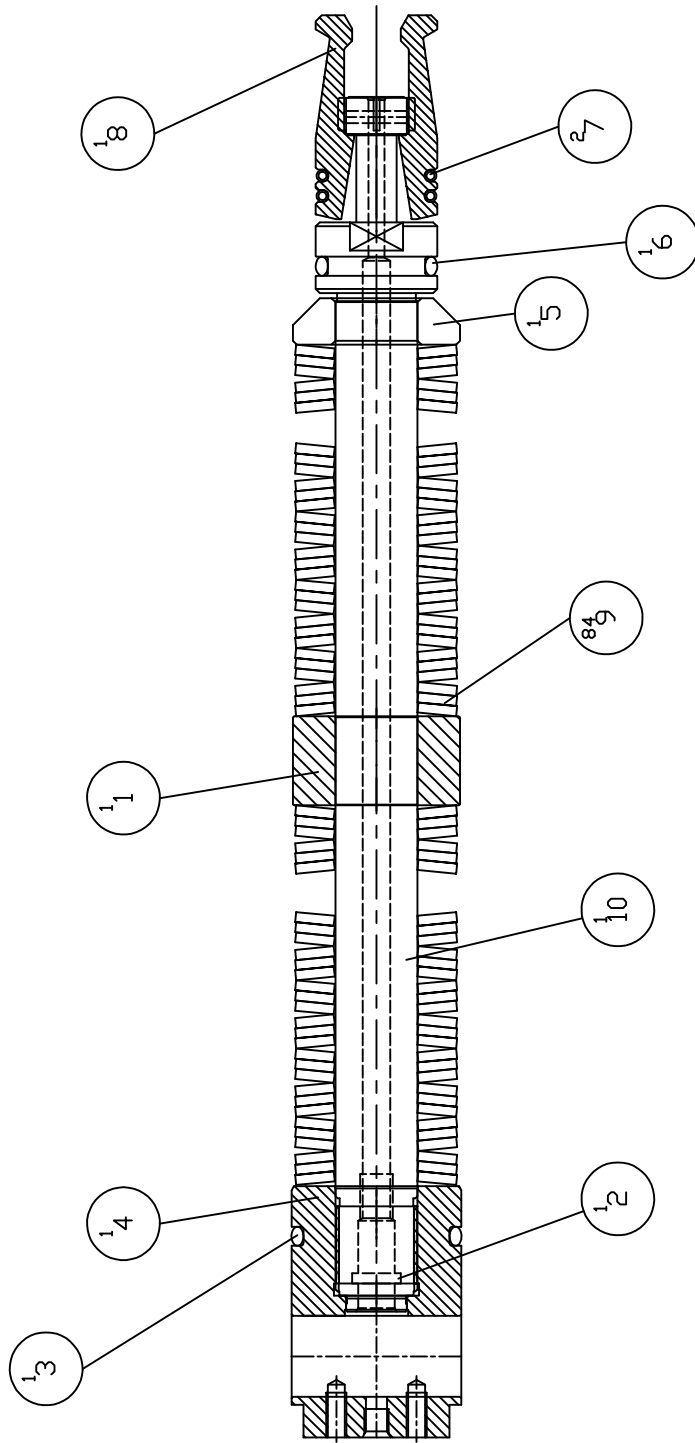
PRODUCT BOM MASTER AND SUB-ITEMS LIST  
\*\*\*\*\*

Master Item Part NO.: NV 000048552A

Description: DRAWBAR ASSM(DDS)BT40 CTS  
拉桿(直結式主軸)BT40 中心出水

Item	Part NO.	Description	中文名稱	Specification	Qty	Unit
1.03	NV 000417315A	SPACER, DISK SPRING	碟型彈簧墊圈	D41.3XD20.2XL20	1.00	EA
2.00	NV 00094310102	O-RING	O型油環	[JIS] P10	1.00	EA
3.00	NV 00094310131	O-RING	O型油環	[NOK] 4DP36(VITON)	1.00	EA
4.06	NVA001042118A	ADAPTER, DRAWBAR	連桿固定座	D41.9XD9XL62	1.00	EA
5.01	NV 000417321A	WASHER	墊圈	D41.3XD20.25XL11.5	1.00	EA
6.00	NV 00094310130	O-RING	O型油環	[NOK] 4DP24(VITON)	1.00	EA
7.00	NVA000733502	SPRING, RETENTION KNOB	抓刀彈簧(#40)	D2.9XD1.95XL51	2.00	EA
8.00	NV 000806309A	HOLDER, RETENTION KNOB(BT40/CT	45度抓刀爪(BT40/CT40/ANSI40)	D30XD12XL50.3	1.00	EA
9.01	NVA00073350106	SHOT PEENED DISK SPRING	珠擊碟型彈簧片(高扭力)	40*20.5*2 (SHOT PEEN)	84.00	EA
10.02	NVB0000048011A	DRAWBAR(BT40/CT40/ANSI40)	拉桿(BT40/CT40/ANSI40)	D30XD9XL300	1.00	ST

REV	DESCRIPTION	DATE	ECN
A	2010/8/9	2010/8/9	2034
B	#10 NV 00048555A-NV 00048555A	2012/07/11	1003185
B	#9 NV 000735006-NV 000735006	2012/07/11	1003185



MODEL: VMC-600/800/1000 GX-XR 1300/1600 GX250-SAX	
PART NAME	PART NUMBER
DRAW BAR ASSM(DDS,BT/CT/ANSI)	NV 000048555A
拉桿直結式,BT/CT/ANSI	PAGE 1 of 1
DATE 2010/8/9	SCALE 1:2
REV. B	

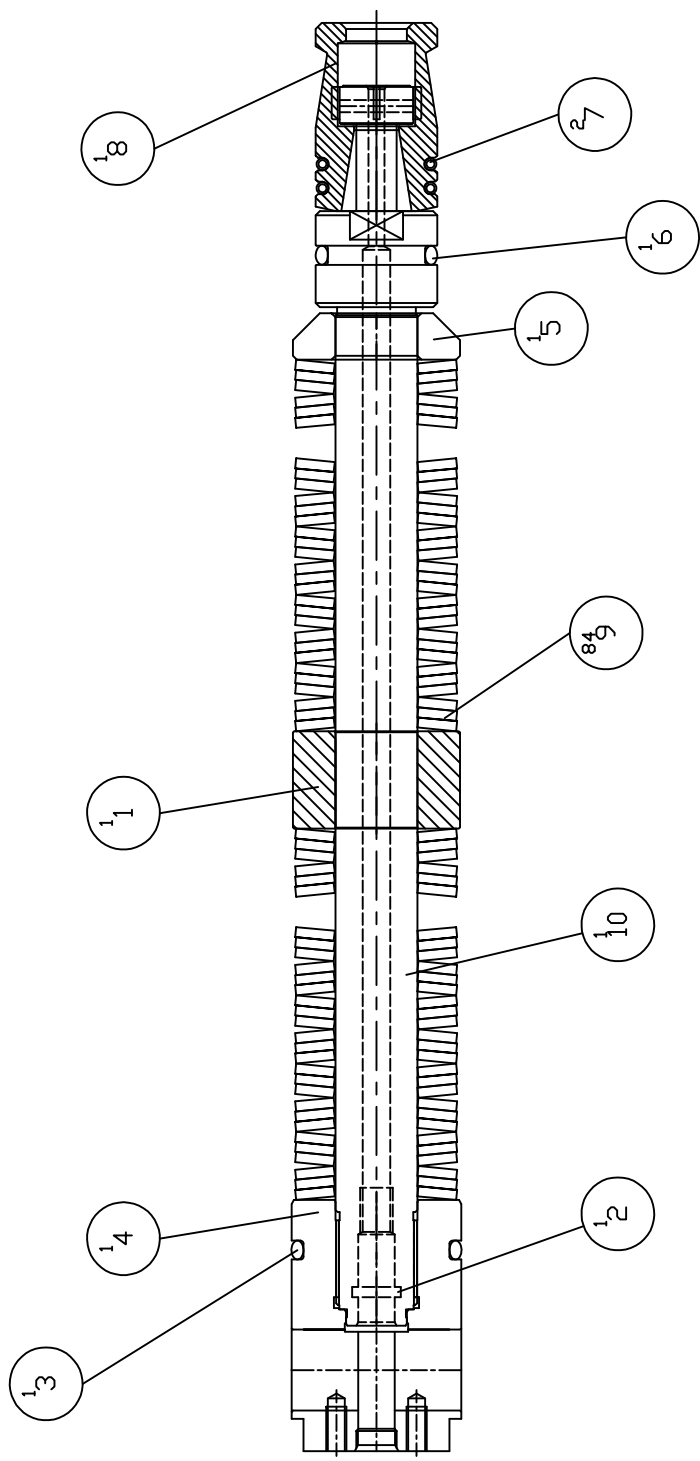
PRODUCT BOM MASTER AND SUB-ITEMS LIST  
\*\*\*\*\*

Master Item Part NO.: NV 000048555A

Description: DRAWBAR ASSM(DDS)BT40 W/O CTS  
拉桿(直結式主軸)BT40 無中心出水

Item	Part NO.	Description	中文名稱	Specification	Qty	Unit
1.01	NV 000417315A	SPACER, DISK SPRING	碟型彈簧墊圈	D41.3XD20.2XL20	1.00	EA
2.00	NV 00094310102	O-RING	O型油環	[JIS] P10	1.00	EA
3.00	NV 00094310131	O-RING	O型油環	[NOK] 4DP36(VITON)	1.00	EA
4.02	NV 001042145A	ADAPTER, DRAWBAR	連桿固定座(無中心給水)	D41.9XD5.2XL62	1.00	EA
5.01	NV 000417321A	WASHER	墊圈	D41.3XD20.25XL11.5	1.00	EA
6.00	NV 00094310130	O-RING	O型油環	[NOK] 4DP24(VITON)	1.00	EA
7.00	NVA000733502	SPRING, RETENTION KNOB	抓刀彈簧(#40)	D2.9XD1.95XL51	2.00	EA
8.00	NV 000806309A	HOLDER, RETENTION KNOB(BT40/CT	45度抓刀爪(BT40/CT40/ANSI40)	D30XD12XL50.3	1.00	EA
9.01	NVA00073350106	SHOT PEENED DISK SPRING	珠擊碟型彈簧片(高扭力)	40*20.5*2 (SHOT PEEN)	84.00	EA
10.01	NVB000048011A	DRAWBAR(BT40/CT40/ANSI40)	拉桿(BT40/CT40/ANSI40)	D30XD9XL300	1.00	ST

REV	DESCRIPTION	DATE	ECN
A	新零件	2007/10/26	B53
B	修改#1, 改圖樣表2之D/D1	2008/10/28	B54
C	修改#1, 改圖樣表2之E/E1	2009/10/26	B51
D	#10, #4 KNY-NYA	2007/11/23	B309
E	#10 NV/00048014A-NV/00048014A	2012/10/11	1003185
F	#9 NV/007352006-NV/007352006	2012/10/11	1003185



MODEL: VMC-600/800/1000 GX-XR 1300/1600	PART NUMBER
DRAWBAR ASSM(DDS,SK40)	NV 000048553A
拉桿直結式主軸,SK40	PAGE 1 of 1
DATE 2007/10/26	REV. E
SCALE 1:2	

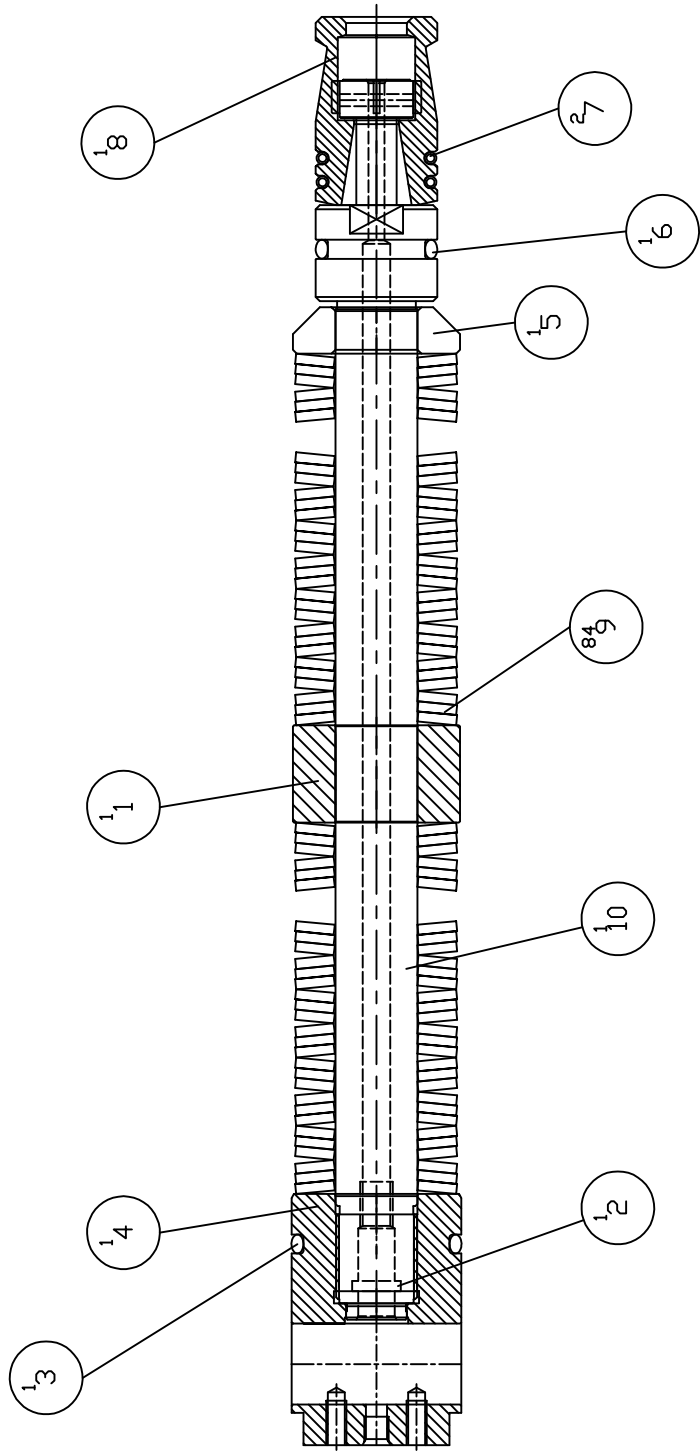
PRODUCT BOM MASTER AND SUB-ITEMS LIST  
\*\*\*\*\*

Master Item Part NO.: NV 000048553A

Description: DRAWBAR ASSM(DDS,SK40)CTS  
拉桿(直結式主軸,SK40) 中心出水

Item	Part NO.	Description	中文名稱	Specification	Qty	Unit
1.03	NV 000417315A	SPACER, DISK SPRING	碟型彈簧墊圈	D41.3XD20.2XL20	1.00	EA
2.00	NV 00094310102	O-RING	O型油環	[JIS] P10	1.00	EA
3.00	NV 00094310131	O-RING	O型油環	[NOK] 4DP36(VITON)	1.00	EA
4.06	NVA001042118A	ADAPTER, DRAWBAR	連桿固定座	D41.9XD9XL62	1.00	EA
5.01	NV 000417321A	WASHER	墊圈	D41.3XD20.25XL11.5	1.00	EA
6.00	NV 00094310130	O-RING	O型油環	[NOK] 4DP24(VITON)	1.00	EA
7.00	NVA000733502	SPRING, RETENTION KNOB	抓刀彈簧(#40)	D2.9XD1.95XL51	2.00	EA
8.00	NV 000806310A	HOLDER, RETENTION KNOB(SK40)	75度抓刀爪(SK40)	D30XD11XL46.5	1.00	EA
9.01	NVA00073350106	SHOT PEENED DISK SPRING	珠擊碟型彈簧片(高扭力)	40*20.5*2 (SHOT PEEN)	84.00	EA
10.02	NVB0000048014A	DRAWBAR(SK40)	拉桿(SK40)	D30XD9XL306.15	1.00	EA

REV	DESCRIPTION	DATE	ECN
A	2007/8/9	2007/8/9	2007/8/9
B	2007/8/9	2007/8/9	2007/8/9
B	2007/8/9	2007/8/9	2007/8/9



MODEL: VMC-600/800/1000 GX-XR 1300/1600	
PART NAME	PART NUMBER
DRAWBAR ASSM(DDS,SK40)	NV 000048556A
拉桿直結式主軸,SK40	PAGE 1 of 1
DATE 2010/8/9	REV. B
SCALE 1:2	

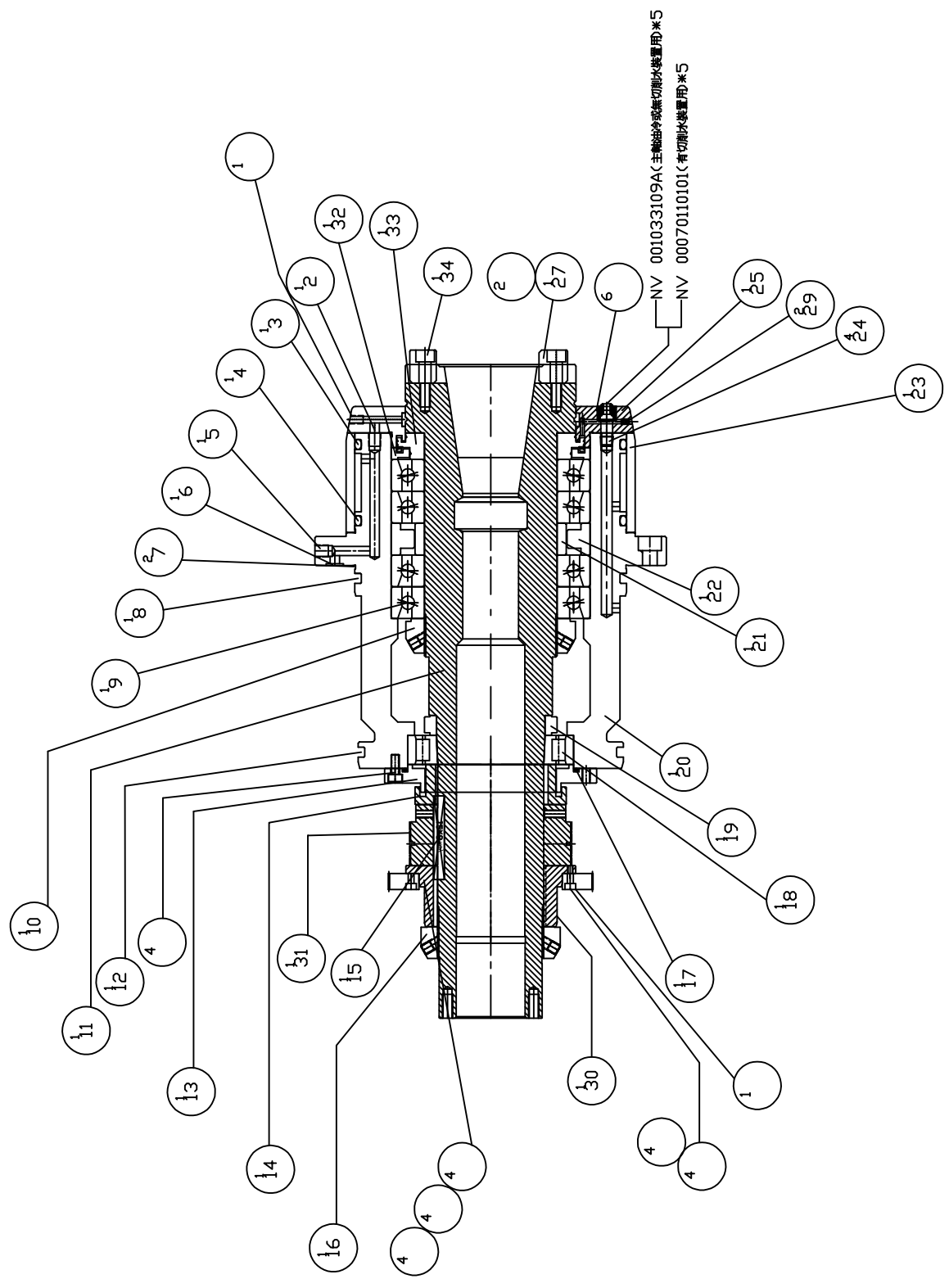
PRODUCT BOM MASTER AND SUB-ITEMS LIST  
\*\*\*\*\*

Master Item Part NO.: NV 000048556A

Description: DRAWBAR ASSM(DDS,SK40)W/O CTS  
拉桿(直結式主軸,SK40)無中心出水

Item	Part NO.	Description	中文名稱	Specification	Qty	Unit
1.01	NV 000417315A	SPACER, DISK SPRING	碟型彈簧墊圈	D41.3XD20.2XL20	1.00	EA
2.00	NV 00094310102	O-RING	O型油環	[JIS] P10	1.00	EA
3.00	NV 00094310131	O-RING	O型油環	[NOK] 4DP36(VITON)	1.00	EA
4.02	NV 001042145A	ADAPTER, DRAWBAR	連桿固定座(無中心給水)	D41.9XD5.2XL62	1.00	EA
5.01	NV 000417321A	WASHER	墊圈	D41.3XD20.25XL11.5	1.00	EA
6.00	NV 00094310130	O-RING	O型油環	[NOK] 4DP24(VITON)	1.00	EA
7.00	NVA000733502	SPRING, RETENTION KNOB	抓刀彈簧(#40)	D2.9XD1.95XL51	2.00	EA
8.00	NV 000806310A	HOLDER, RETENTION KNOB(SK40)	75度抓刀爪(SK40)	D30XD11XL46.5	1.00	EA
9.01	NVA00073350106	SHOT PEENED DISK SPRING	珠擊碟型彈簧片(高扭力)	40*20.5*2 (SHOT PEEN)	84.00	EA
10.01	NVB0000048014A	DRAWBAR(SK40)	拉桿(SK40)	D30XD9XL306.15	1.00	EA

REV	DESCRIPTION	DATE	ECN
A	新訂規格	2008/7/16	1393
B	滾動軸承規格2.7 變更說明, 圖號3.4	2008/9/18	1447
C	滾動軸承規格2.7 變更說明, 圖號3.4	2009/1/21	1780
D	切削油冷卻噴嘴之改善說明	2009/10/16	2013
E	規格 NV 00004800F-NVAD004800E 2012/2/09	2012/2/09	2911



MODEL: XR 1300#50/ XR 1600#50	PART NUMBER: GX 000015707F
PART NAME: BBT Cartridge assm(10K-RPM)	PAGE: 1 OF 1
BBT 主軸套筒(10K-RPM)	REV: E
DATE: 2008/7/16	SCALE: 1:5



# PRODUCT BOM MASTER AND SUB-ITEMS LIST

\*\*\*\*\*

Master Item Part NO.: GX 000015707F

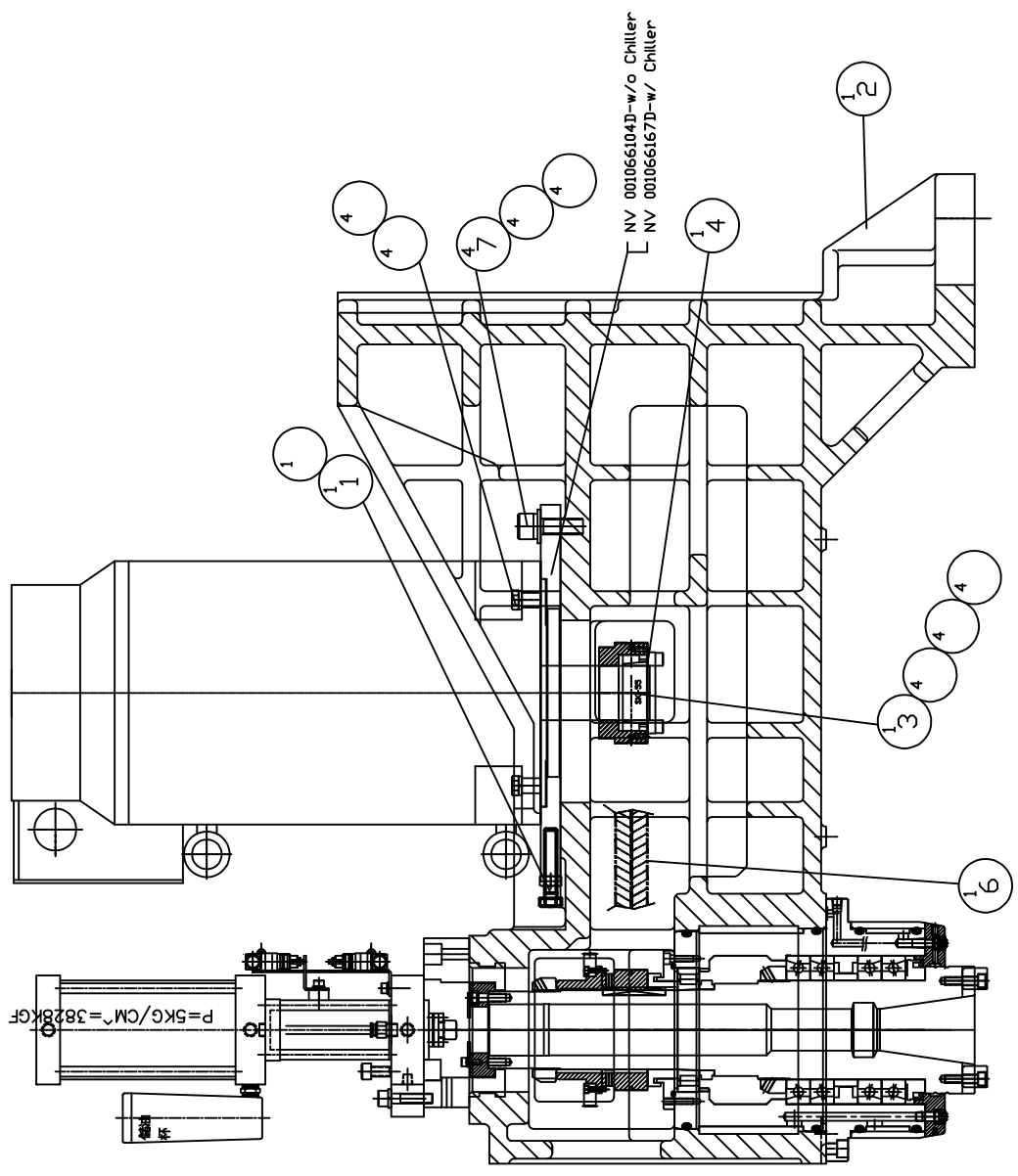
Description: BBT CARTRIDGE(10K-RPM)  
BBT 主軸套筒(10K-RPM)

Item	Part NO.	Description	中文名稱	Specification	Qty	Unit
2.00	NV 00094310102	O-RING	O型油環	[JIS] P10	1.00	EA
3.00	BL 00094310203	O-RING	O型油環	[JIS]G190	1.00	EA
4.00	BL 00094310203	O-RING	O型油環	[JIS]G190	1.00	EA
5.00	NV 00077031701	PLUG, SOCKET HEX.	塞頭	PT1/8	1.00	EA
6.00	NV 00094310102	O-RING	O型油環	[JIS] P10	1.00	EA
7.00	BL 00094310204	O-RING	O型油環	[JIS]G195	2.00	EA
8.00	BL 00094310203	O-RING	O型油環	[JIS]G190	1.00	EA
9.00	GX 00002660101	BEARING,SPINDLE(#50)	主軸斜角滾珠軸承(#50)	100BNR10HTYNDBBCA35P4	1.00	ST
10.00	BLA000049203B	LOCKNUT	鎖緊螺帽	[HSIANG KAJJM100X2(GRINDING)	1.00	EA
11.01	NV 000028305F	SPINDLE	主軸(BDV50)	D128.97X41.6XL492.78	1.00	EA
12.00	BL 00094310203	O-RING	O型油環	[JIS]G190	1.00	EA
13.00	NV 001011500F	COVER	軸蓋	D160XD99XL24	1.00	EA
14.01	NV 000317753F	BUSHING, SPINDLE EAGLE PULLEY(	主軸齒帶輪襯套(高扭力)	D114XD80XL30.3	1.00	EA
15.00	NV 00061150111	SUNK KEY	平行鍵(雙圓頭鍵)	W12XH8XL63	1.00	EA
16.00	BL 0000049202A	LOCKNUT	鎖緊螺帽(M80-雙面研磨)	[SHIANG KAJJM80X2(GRINDING)	1.00	EA
17.00	NV 00094310220	O-RING	O型油環	[JIS] G125	1.00	EA
18.00	GX 00002660201	BEARING,SPINDLE(#50)	主軸滾筒軸承(#50)	N1016RXTPKRCC0P4	1.00	ST
19.00	NV 000179901F	SPACER, SPINDLE	後間隔圈	D100XD81.8XL15	1.00	EA
20.02	NVA000405200F	HOUSING, SPINDLE	軸承套	D265XD118XL253	1.00	EA
21.00	NV 000179966F	INTERNAL SPACER, SPINDLE	內間隔圈	D114XD100XL24	1.00	EA

PRODUCT BOM MASTER AND SUB-ITEMS LIST  
\*\*\*\*\*

Item	Part NO.	Description	中文名稱	Specification	Qty	Unit
22.00	NV 000179967F	EXTERNAL SPACER, SPINDLE	外間隔圈	D150XD136XL24	1.00	EA
23.10	NVA000048101F	BUSHING	襯套	D218XD205XL75	1.00	ST
24.00	NV 00077031701	PLUG, SOCKET HEX.	塞頭	PT1/8	4.00	EA
25.00	NVB001011501F	COVER, SPINDLE	主軸前蓋	D211XDF128.7XL40	1.00	EA
27.00	NV 000753300F	L25.4XW25XH21.5	鍵	KEY, SPINDLE	1.00	EA
29.00	NV 000668423A	SET SCREW	固定螺絲	M4XP0.5XD1.5	2.00	EA
30.01	GX 000317707F	BUSHING, SPINDLE EAGLE PULLEY	主軸齒帶輪襯套	D83.3XD128XL59	1.00	EA
31.00	GX 000317708F	EAGLE PULLEY, SPINDLE(8.2K)	主軸人字皮帶輪(8.2K)	D80XD120.85XL33	1.00	EA
32.00	NV 000179995F	EXTERNAL SPACER, SPINDLE	外間隔圈	D110XD82.3XL9	1.00	EA
33.00	NV 000179994F	INTERNAL SPACER, SPINDLE	內間隔圈	D111.7XD70XL20	1.00	EA
34.00	NV 000753301F	L25.4XW25XH20	鍵	KEY, SPINDLE	1.00	EA

REV	DESCRIPTION	DATE	ECN
A		2006/8/10	185



MODEL: GX 1300#50/1600#50	PART NUMBER	REV. A
SPINDLE TRANSMISSION(A22/10K)	GX 000000204F	SCALE 1:8
主軸傳動XFonic A22P/10K	PAGE 1 OF 1	DATE 2006/9/12
		DESIGNER

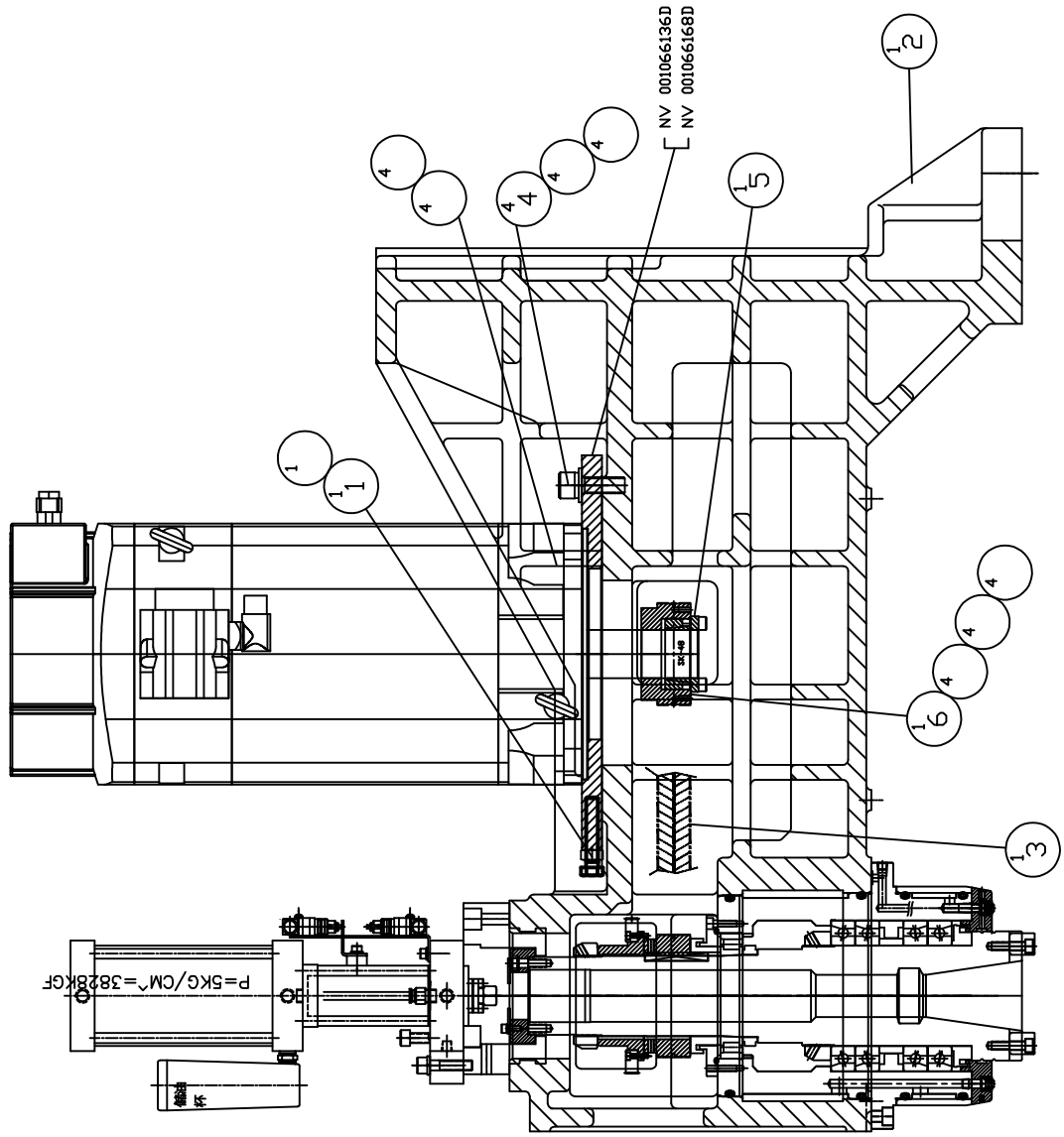
PRODUCT BOM MASTER AND SUB-ITEMS LIST  
\*\*\*\*\*

Master Item Part NO.: GX 000000204F

Description: SPINDLE TRANSMISSION(A22/10K)  
主軸傳動(FANUC A22P/10K)

Item	Part NO.	Description	中文名稱	Specification	Qty	Unit
1.00	MS 0154228	HEX HD. FULL THD	六角頭螺絲	M12XP1.75XL70, ST12.9	1.00	EA
2.03	GX 000026400F	HEADSTOCK	主軸箱	L1004XW654XH653	1.00	EA
3.02	GX 000317718F	EAGLE PULLEY, MOTOR(40T)	馬達人字皮帶輪(40T)	D100.48XD55XL49	1.00	EA
4.00	GX 00098132605	KEYLESS CONNECTION	錐形環鍵	SK-55	1.00	ST
6.00	NV 00033460103	EAGLE-BELT	人字形皮帶	W-1000	1.00	ST
7.00	NV 000399055A	PLATE	墊塊(M16 WASHER)(K7)	D Φ32XD Φ16.5XT6(M16 WASHER)(K7)	1.00	EA

REV	DESCRIPTION	DATE	ECN
A	黃子龍-HUANG	2013/1/24	1003293



MODEL: GX 1300#50/1600#50	PART NUMBER
PART NAME	GX 000000206F
SPINDLE TRANSMISSION(SIEMENS 1PH8137-10K)	PAGE 1 OF 1
主軸傳動(SIEMENS 1PH8137-10K)	REV. A
DATE 2013/1/24	SCALE 1:8
DATE 2013/1/24	SCALE 1:8

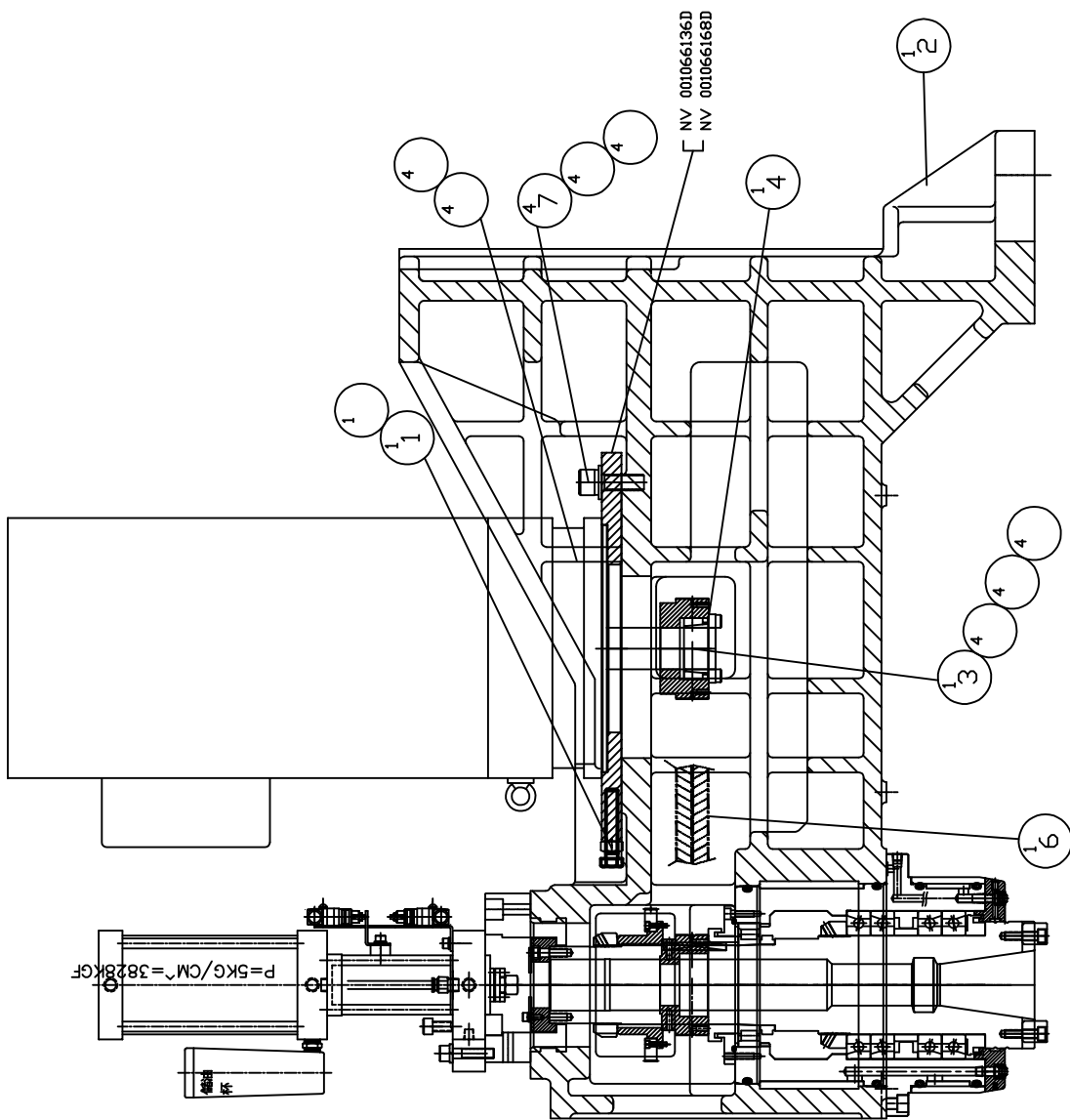
PRODUCT BOM MASTER AND SUB-ITEMS LIST  
\*\*\*\*\*

Master Item Part NO.: GX 000000206F

Description: SPINDLE TRANSMISSION(1PH8/10K)  
主軸傳動(SIEMENS 1PH8137馬達/主軸10K)

Item	Part NO.	Description	中文名稱	Specification	Qty	Unit
1.00	MS 0154228	HEX HD. FULL THD	六角頭螺絲	M12XP1.75XL70, ST12.9	1.00	EA
2.01	GX 000026400F	HEADSTOCK	主軸箱	L1004XW654XH653	1.00	EA
3.00	NV 00033460103	EAGLE-BELT	人字形皮帶	W-1000	1.00	ST
4.00	NV 000399055A	PLATE	墊塊(M16 WASHER)(K7)	D Φ 32XD Φ 16.5XT6(M16 WASHER)(K7)	4.00	EA
5.00	GX 00098132609	KEYLESS CONNECTION	免鍵式軸環	SK-D48XD70	1.00	ST
6.00	GX 000317724F	EAGLE PULLEY, MOTOR(40T)	馬達人字皮帶輪(40T)	D100.48XD48XL49	1.00	EA

REV	DESCRIPTION	DATE	ECN
A	新設計	2008/5/2	1197



MODEL: GX 1300#50/1600#50	
PART NAME	PART NUMBER
SPINDLE TRANSMISSIONSIEMENS & HEIDENHAIN-10K	GX 000000205F
主轴传动SIEMENS & HEIDENHAIN-10K	PAGE 1 OF 1
DATE 2008/5/2	REV. A
SCALE 1:8	

PRODUCT BOM MASTER AND SUB-ITEMS LIST  
\*\*\*\*\*

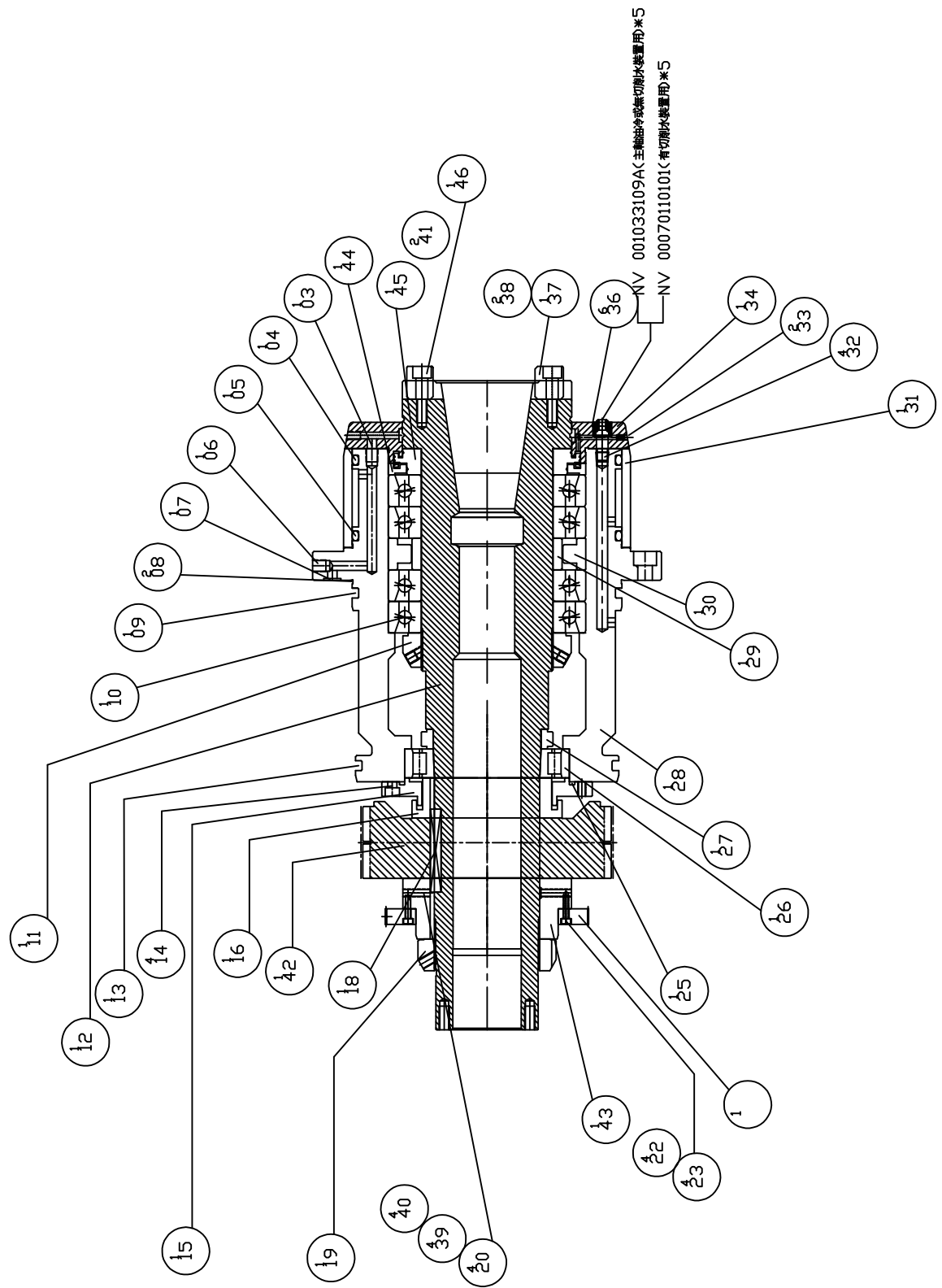
Master Item Part NO.: GX 000000205F

Description: SPINDLE TRANSMISSION(260L/10K)  
主軸傳動(HEIDENHAIN 260L/10K)

Item	Part NO.	Description	中文名稱	Specification	Qty	Unit
1.00	MS 0154228	HEX HD. FULL THD	六角頭螺絲	M12XP1.75XL70, ST12.9	1.00	EA
2.01	GX 000026400F	HEADSTOCK	主軸箱	L1004XW654XH653	1.00	EA
3.03	GX 000317723F	EAGLE PULLEY, MOTOR(40T)	馬達人字皮帶輪(40T)	D100.48XD42XL49	1.00	EA
4.00	GX 00098132606	KEYLESS CONNECTION	錐形環鍵	SK-42同SMA(D64XD42XL37)	1.00	ST
6.00	NV 00033460103	EAGLE-BELT	人字形皮帶	W-1000	1.00	ST
7.00	NV 000399055A	PLATE	墊塊(M16 WASHER)(K7)	D Φ32XD Φ16.5XT6(M16 WASHER)(K7)	1.00	EA



REV	DESCRIPTION	DATE	ECN
A	新設計	2008/7/16	1393
B	設計變更(3.7 軸蓋改良, 圖號 46)	2008/9/18	1447
C	設計變更(001033109A 主軸油封改良)	2009/1/21	1780
D	切斷冷油封(3.7 改)	2009/10/16	2013
E	設計變更(00048101F 主軸油封改良)	2012/2/20	2911



MODEL: XR 1300#50/ XR 1600#50	
PART NAME	PART NUMBER
BBT Cartridge assm(6000rpm HT)	GX 000015705FT
BBT 主軸套筒(6000rpm 高扭力)	PAGE 1 OF 1
DATE 2008/7/16	SCALE 1:5
AUSTIN	REV. E

# PRODUCT BOM MASTER AND SUB-ITEMS LIST

\*\*\*\*\*

Master Item Part NO.: GX 000015705FT

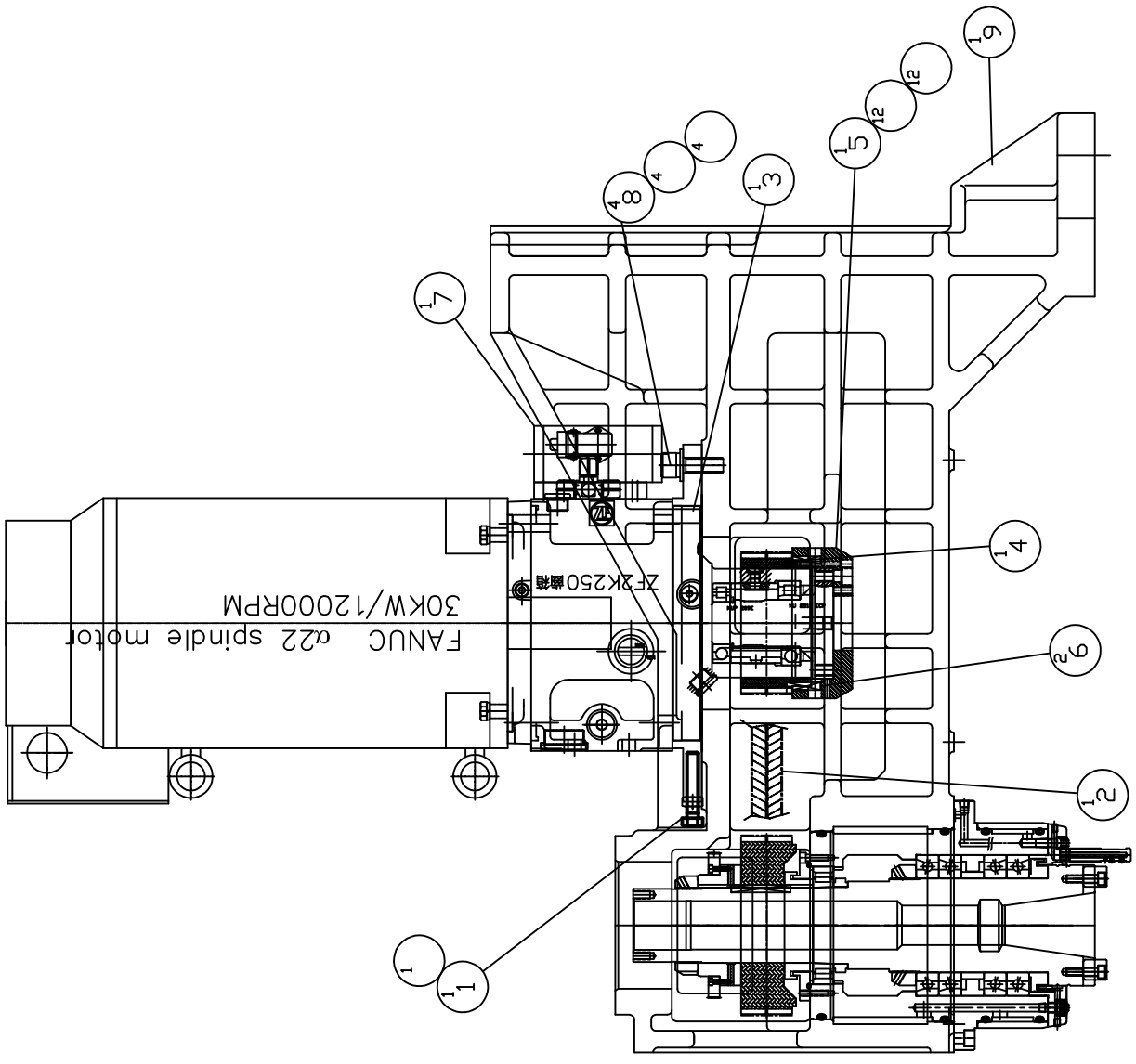
Description:           BBT CARTRIDGE(6000RPM HT)  
                          BBT 主軸套筒(6000RPM 高扭力)

Item	Part NO.	Description	中文名稱	Specification	Qty	Unit
3.00	NV 00094310102	O-RING	O型油環	[JIS] P10	1.00	EA
4.00	BL 00094310203	O-RING	O型油環	[JIS]G190	1.00	EA
5.00	BL 00094310203	O-RING	O型油環	[JIS]G190	1.00	EA
6.00	NV 00077031701	PLUG, SOCKET HEX.	塞頭	PT1/8	1.00	EA
7.00	NV 00094310102	O-RING	O型油環	[JIS] P10	1.00	EA
8.00	BL 00094310204	O-RING	O型油環	[JIS]G195	2.00	EA
9.00	BL 00094310203	O-RING	O型油環	[JIS]G190	1.00	EA
10.00	NV 00002660124	FRONT BEARING, #50 SPINDLE	主軸斜角滾珠軸承(#50)	[NSK]100BNR10STYDBBCA1-01P4(4P)	1.00	ST
11.00	BLA000049203B	LOCKNUT	鎖緊螺帽	[HSIANG KAJIM]100X2(GRINDING)	1.00	EA
12.01	NV 000028305F	SPINDLE	主軸(BDV50)	D128.97X41.6XL492.78	1.00	EA
13.00	BL 00094310203	O-RING	O型油環	[JIS]G190	1.00	EA
14.00	MS 0103617	SOCKET HEAD CAP SCREW	六角穴圓頭螺絲	M6XP1.0XL16	4.00	EA
15.00	NV 001011500F	COVER	軸蓋	D160XD99XL24	1.00	EA
16.01	NV 000317753F	BUSHING, SPINDLE EAGLE PULLEY(	主軸齒帶輪襯套(高扭力)	D114XD80XL30.3	1.00	EA
18.00	NV 00061150111	SUNK KEY	平行鍵(雙圓頭鍵)	W12XH8XL63	1.00	EA
19.00	BL 000049202A	LOCKNUT	鎖緊螺帽(M80-雙面研磨)	[SHIANG KAJIM]M80X2(GRINDING)	1.00	EA
20.00	MS 0553617	SOC SET, CUP SCREW	杯型端固定螺絲	M6XP1.0XL16	4.00	EA
22.00	MS 0103417	SOCKET HEAD CAP SCREW	六角穴圓頭螺絲	M4XP0.7XL16	4.00	EA
23.00	MW 0183410	SPRING WASHER	彈簧墊圈	M4(HEAT TREATMENT)	4.00	EA
25.00	NV 00094310220	O-RING	O型油環	[JIS] G125	1.00	EA

\*\*\*\*\*  
**PRODUCT BOM MASTER AND SUB-ITEMS LIST**  
 \*\*\*\*\*

Item	Part NO.	Description	中文名稱	Specification	Qty	Unit
26.00	NV 00002660228	BEARING, #50 SPINDLE	主軸滾筒軸承(#50)	[NSK] N1016MRKRCC1P4	1.00	EA
27.00	NV 000179901F	SPACER, SPINDLE	後間隔圈	D100XD81.8XL15	1.00	EA
28.03	NVA000405200F	HOUSING, SPINDLE	軸承套	D265XD118XL253	1.00	EA
29.00	NV 000179966F	INTERNAL SPACER, SPINDLE	內間隔圈	D114XD100XL24	1.00	EA
30.00	NV 000179967F	EXTERNAL SPACER, SPINDLE	外間隔圈	D150XD136XL24	1.00	EA
31.01	NVA000048101F	BUSHING	襯套	D218XD205XL75	1.00	ST
32.00	NV 00077031701	PLUG, SOCKET HEX.	塞頭	PT1/8	4.00	EA
33.00	MS 0553614	SOC SET, CUP POINT	杯型端固定螺絲	M6XP1.0XL8	2.00	EA
34.02	NVB001011501F	COVER, SPINDLE	主軸前蓋	D211XDF128.7XL40	1.00	EA
36.00	MS 0104020	SOCKET HEAD CAP SCREW	六角穴圓頭螺絲	M10XP1.5XL30	6.00	EA
37.00	NV 000753300F	L25.4XW25XH21.5	鍵	KEY, SPINDLE	1.00	EA
38.00	MS 0103820	SOCKET HEAD CAP SCREW	六角穴圓頭螺絲	M8XP1.25XL30	2.00	EA
39.00	MS 0553616	SOC SET, CUP SCREW	杯型端固定螺絲	M6XP1.0XL12	4.00	EA
40.00	MS 0553614	SOC SET, CUP POINT	杯型端固定螺絲	M6XP1.0XL8	4.00	EA
41.00	MS 0303413	BUTTON HD. SOCKET	六角穴半圓頭螺絲	M4XP0.7XL6	2.00	EA
42.01	GX 000317720F	EAGLE PULLEY, SPINDLE(43T)	主軸人字皮帶輪(43T)	D188.8XD80XH54.5	1.00	ST
43.04	GX 000317722F	BUSHING, SPINDLE EAGLE PULLEY(	主軸齒帶輪襯套(高扭力)	D128XD80XL46	1.00	ST
44.00	NV 000179995F	EXTERNAL SPACER, SPINDLE	外間隔圈	D110XD82.3XL9	1.00	EA
45.00	NV 000179994F	INTERNAL SPACER, SPINDLE	內間隔圈	D111.7XD70XL20	1.00	EA
46.00	NV 000753301F	L25.4XW25XH20	鍵	KEY, SPINDLE	1.00	EA

REV	DESCRIPTION	DATE	ECN
A	REVISED	2006/8/10	600



MODEL: GX 1300#50/1600#50	
PART NAME	PART NUMBER
SPINDLE TRANSMISSION(KHT-FANUC_A22)	GX 000000203FT
主軸傳動箱(KHT-FANUC_A22)	PAGE 1 OF 1
DATE 2007/5/30	REV. A
SCALE 1:8	

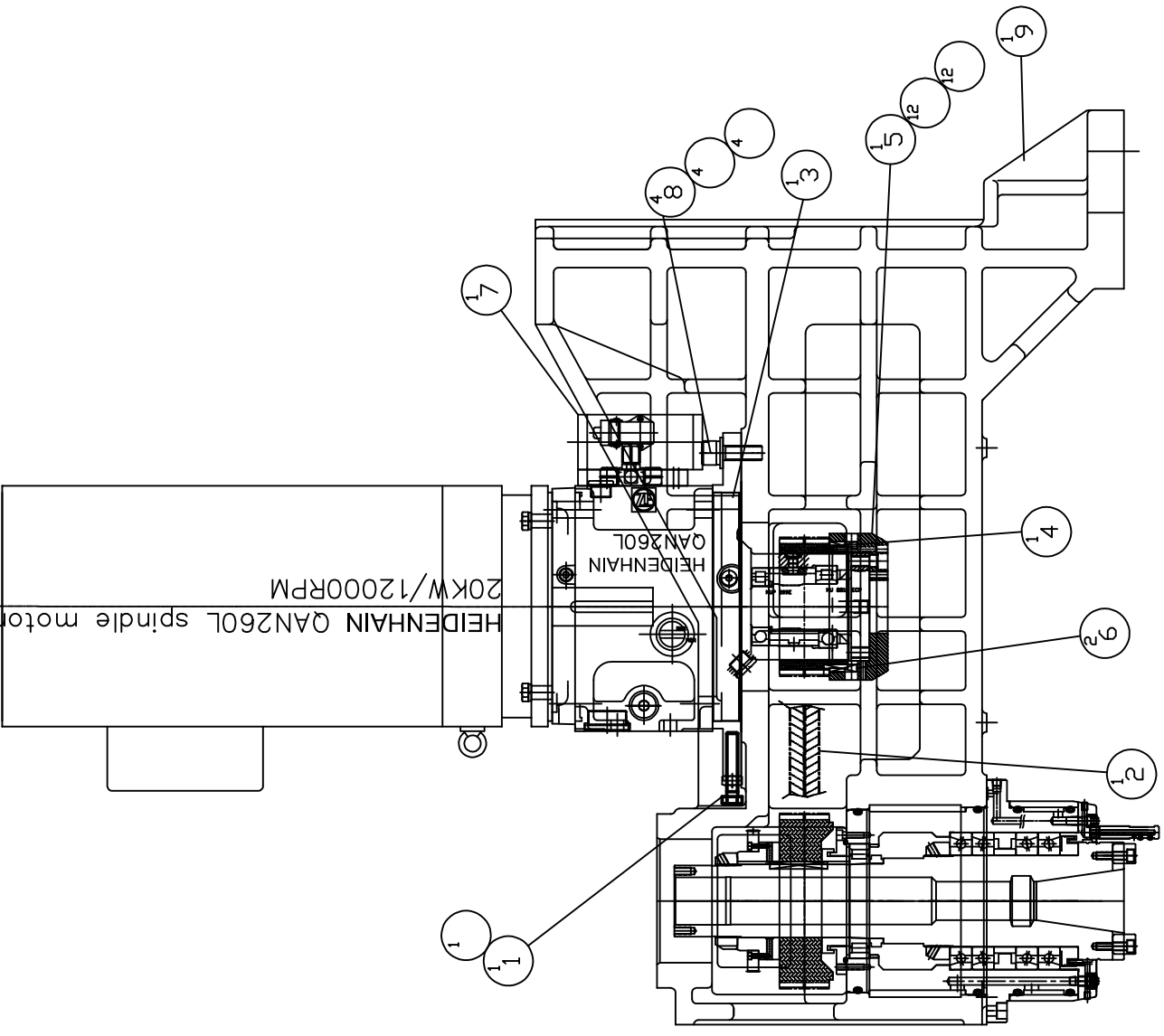
PRODUCT BOM MASTER AND SUB-ITEMS LIST  
\*\*\*\*\*

Master Item Part NO.: GX 000000203FT

Description: SPINDLE TRANSMISSION(A22/HT)  
主軸傳動(FANUC A22/HT)

Item	Part NO.	Description	中文名稱	Specification	Qty	Unit
1.00	MS 0154228	HEX HD. FULL THD	六角頭螺絲	M12XP1.75XL70, ST12.9	1.00	EA
2.00	GX 00033460105	EAGLE-BELT	人字形皮帶	G-1190	1.00	ST
3.00	GX 001066112F	SPINDLE MOTOR PLATE,FIT ZF 2K2	主軸馬達座(配ZF 2K250)	L380XW274XH31.5	1.00	ST
4.00	GX 000317719F	EAGLE PULLEY, MOTOR(34T)	馬達人字皮帶輪(34T)	D148.7XD118.1XH74.4	1.00	ST
5.00	GX 000317721F	BUSHING, MOTOR EAGLE PULLEY(HI	馬達齒帶輪襯套(高扭力)	D160XD58XH63.8	1.00	ST
6.00	GX 00061150101	SUNK KEY	(雙圓頭鍵)平行鍵	W12XL36XH8	2.00	ST
7.00	GX 000619900D	GEAR BOX ASSEMBLY, W/FANUC A22	變速箱(齊富),配FANUC A22	[ZF]4161-071-441 TYPE 2K250	1.00	ST
8.00	NV 000399055A	PLATE	墊塊(M16 WASHER)(K7)	D Φ 32XD Φ 16.5XT6(M16 WASHER)(K7)	4.00	EA
9.00	GX 000026400F	HEADSTOCK	主軸箱	L1004XW654XH653	1.00	EA
10.00	NV 00061150119	SUNK KEY	[單圓頭鍵]平行鍵	L90XW16XH10	1.00	EA

REV	DESCRIPTION	DATE	ECN
A	REVISED	2013/10/29	1003497



MODEL: GX 1300#50/1600#50	
PART NAME	PART NUMBER
SPINDLE TRANSMISSION(HEIDENHAIN-QAN260L)	GX 000000283FT
主軸傳動(海德漢QAN260L)	PAGE 1 OF 1
DATE 2013/10/29	REV. A
SCALE 1:8	

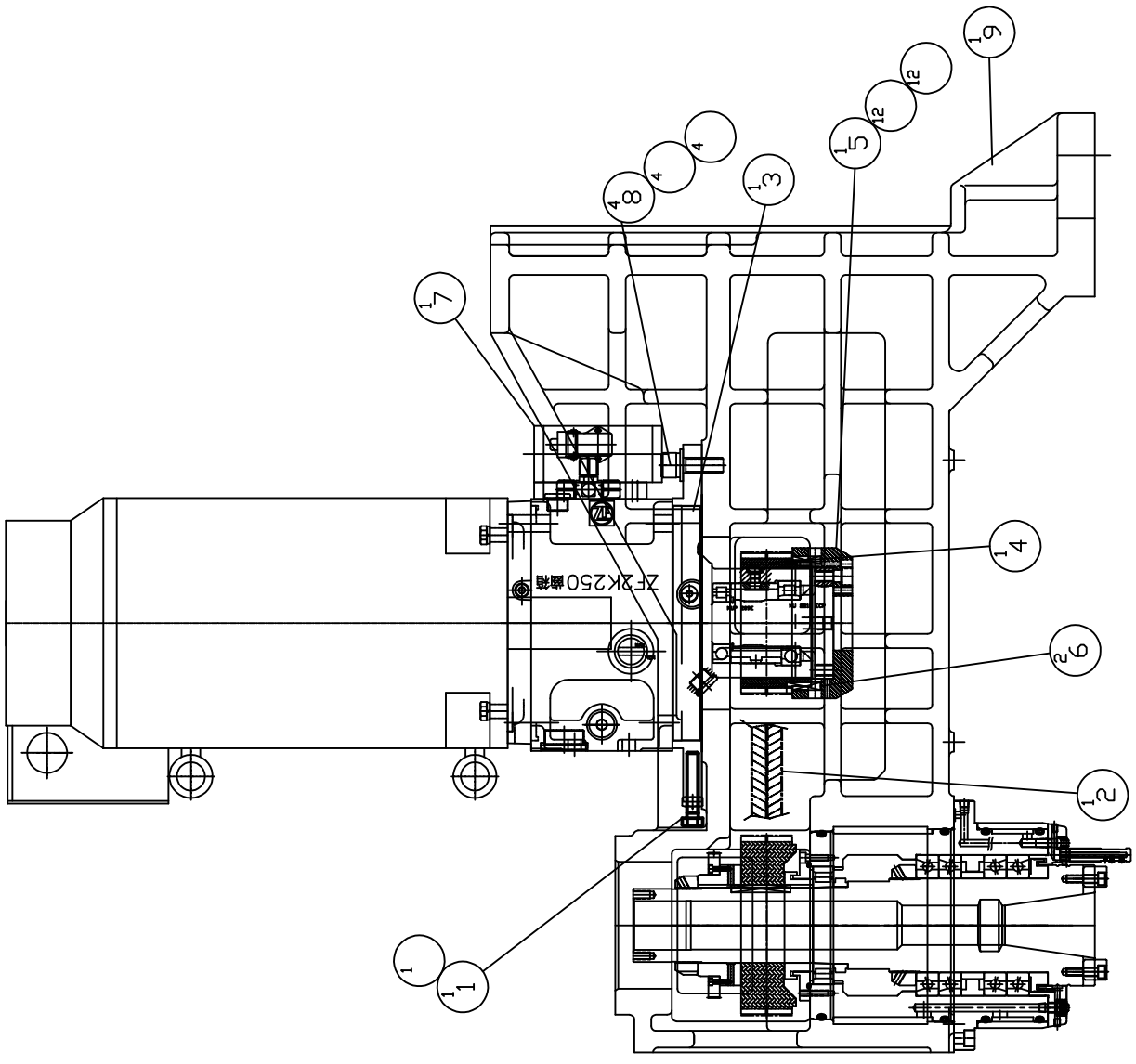
# PRODUCT BOM MASTER AND SUB-ITEMS LIST

Master Item Part NO.: GX 000000283FT

Description: SPINDLE TRANSMISSION(HEIDENHAI  
主軸傳動(海德漢QAN260L)

Item Part NO.	Description	中文名稱	Specification	Qty	Unit
1.00 MS 0154228	HEX HD. FULL THD	六角頭螺絲	M12XP1.75XL70, ST12.9	1.00	EA
2.00 GX 00033460105	EAGLE-BELT	人字形皮帶	G-1190	1.00	EA
3.00 GX 001066112F	SPINDLE MOTOR PLATE,FIT ZF 2K2	主軸馬達座(配ZF 2K250)	L380XW274XH31.5	1.00	EA
4.00 GX 000317719F	EAGLE PULLEY, MOTOR(34T)	馬達人字皮帶輪(34T)	D148.7XD118.1XH74.4	1.00	EA
5.00 GX 000317721F	BUSHING, MOTOR EAGLE PULLEY(HI	馬達齒帶輪襯套(高扭力)	D160XD58XH63.8	1.00	EA
6.00 GX 00061150101	SUNK KEY	(雙圓頭鍵)平行鍵	W12XL36XH8	1.00	EA
7.00 NV 000619971A	GEAR BOX ASSEMBLY, W/HEIDENH 1	變速箱(齊富),配海德漢 QAN260L 速比=1 : 4	[ZF]4161-071-302 TYPE 2K250	1.00	ST
8.00 NV 000399055A	PLATE	墊塊(M16 WASHER)(K7)	D Φ 32XD Φ 16.5XT6(M16 WASHER)(K7)	1.00	EA
9.01 GX 000026400F	HEADSTOCK	主軸箱	L1004XW654XH653	1.00	EA

REV	DESCRIPTION	DATE	ECN
A	新規格	2015/1/23	1003809



西門子+GEAR BOX

MODEL: GX 1300#50/1600#50	PART NUMBER	GX 000000219FT
PART NAME	SPINDLE TRANSMISSIONKIT-SIEMENSE IPH8137)	
主軸傳動箱HT - 西門子IPH8137)	PAGE	1 OF 1
DATE 2015/1/23	TIGER	SCALE 1:8
	REV.	A



PRODUCT BOM MASTER AND SUB-ITEMS LIST  
\*\*\*\*\*

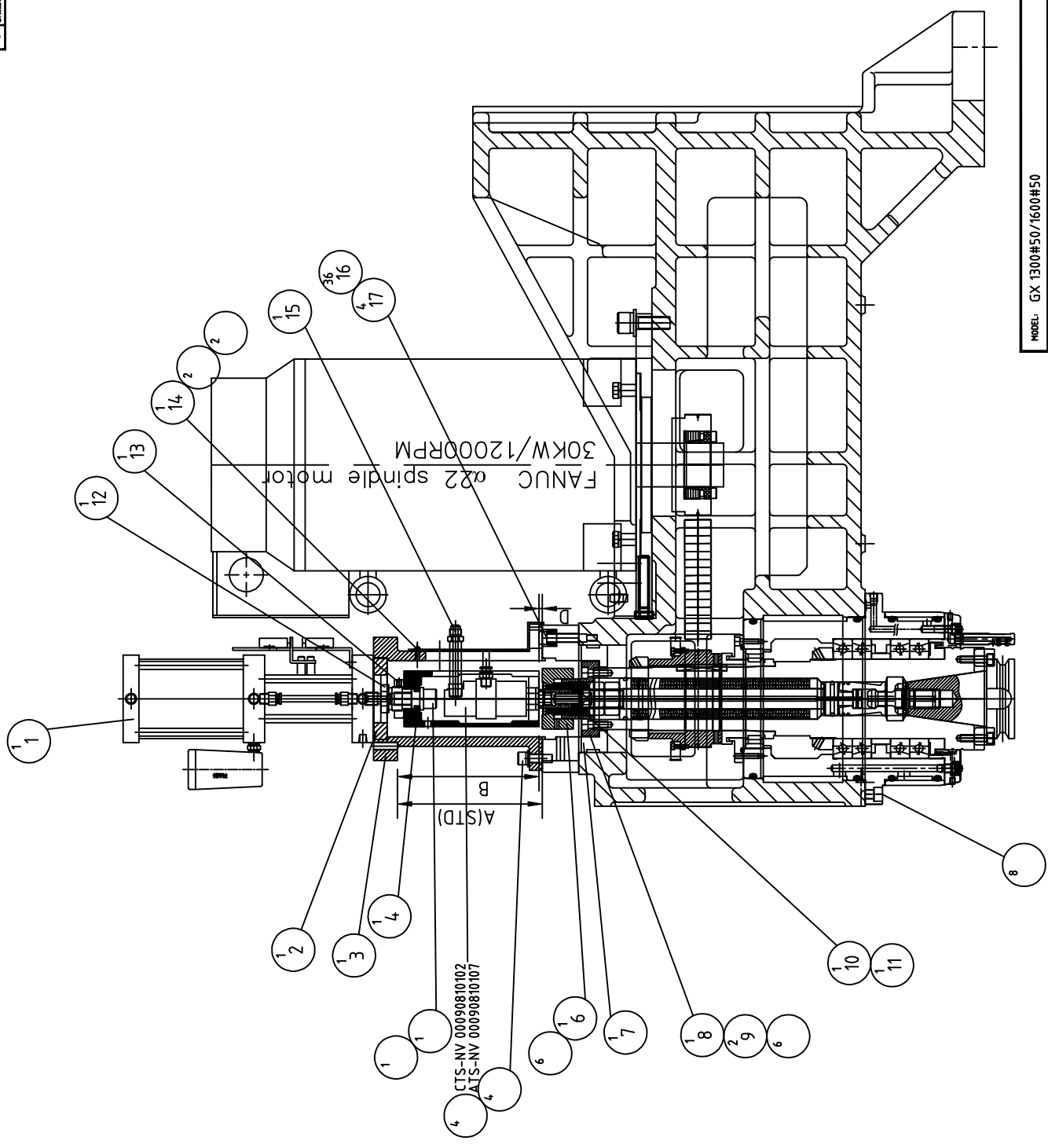
Master Item Part NO.: GX 000000219FT

Description: SPINDLE TRANSMISSION(A22/HT)

主軸傳動(西門子1PH8137#50GEAR BOX)

Item	Part NO.	Description	中文名稱	Specification	Qty	Unit
1.00	MS 0154228	HEX HD. FULL THD	六角頭螺絲	M12XP1.75XL70, ST12.9	1.00	EA
2.00	GX 00033460105	EAGLE-BELT	人字形皮帶	G-1190	1.00	ST
3.01	GX 001066112F	SPINDLE MOTOR PLATE,FIT ZF 2K2	主軸馬達座(配ZF 2K250)	L380XW274XH31.5	1.00	ST
4.00	GX 000317719F	EAGLE PULLEY, MOTOR(34T)	馬達人字皮帶輪(34T)	D148.7XD118.1XH74.4	1.00	ST
5.01	GX 000317721F	BUSHING, MOTOR EAGLE PULLEY(HI	馬達齒帶輪襯套(高扭力)	D160XD58XH63.8	1.00	ST
6.00	GX 00061150101	SUNK KEY	(雙圓頭鍵)平行鍵	W12XL36XH8	2.00	ST
7.01	GX 000619901D	GEAR BOX ASSEMBLY, W/SIEMENS	變速箱(齊富),配西門子(2LG4315-3FC23)	[ZF]4161-071-524 TYPE 2K250	1.00	ST
8.00	NV 000399055A	PLATE	墊塊(M16 WASHER)(K7)	D Φ 32XD Φ 16.5XT6(M16 WASHER)(K7)	4.00	EA
9.03	GX 000026400F	HEADSTOCK	主軸箱	L1004XW654XH653	1.00	EA
10.00	NV 00061150119	SUNK KEY	[單圓頭鍵]平行鍵	L90XW16XH10	1.00	EA

REV	DESCRIPTION	DATE	ENR
A	初版	2006/9/3	
B	機軸位置變更(機軸位置變更) (機軸位置變更)	2006/9/28	1112
B	CT S規格用NY 00090810102	2006/9/28	1112
C	CT S規格用-機軸位置變更(機軸位置變更)	2006/9/15	1003724



MODEL: GX 1300#50/1600#50	PART NUMBER GX 000000302F
SPINDLE TRANSMISSION(Fanuc w/CTS) 主軸傳動(Fanuc w/CTS)	PAGE 10F.1
DATE 2006/10/13	REV. C
SCALE 1:8	

# PRODUCT BOM MASTER AND SUB-ITEMS LIST

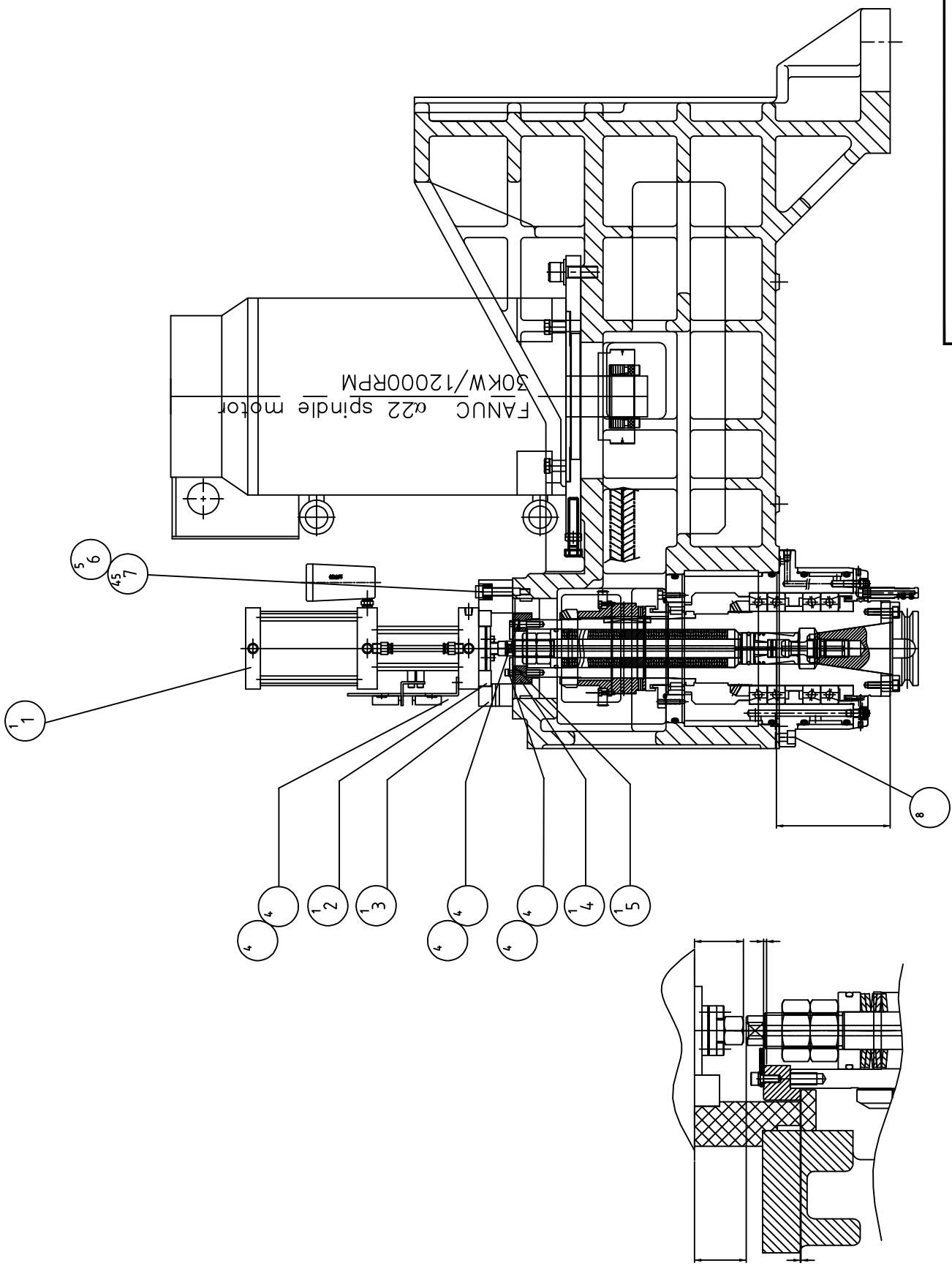
\*\*\*\*\*

Master Item Part NO.: GX 000000302F

Description: CLAMPING SYSTEM(W/ CTS)  
打刀機構(W/ CTS)

Item Part NO.	Description	中文名稱	Specification	Qty	Unit
1.02	NVA000291704A	BOOSTER CYLINDER	4TONSX13MM(G4000)	1.00	ST
2.00	NV 000048102A	BUSHING	D102XD60XL17	1.00	ST
3.00	NV 000981306A	RING, THR SPD COOLANT	D180XD96XL216	1.00	EA
4.00	NV 001042102A	CONTACT BLOCK	D76XD18XL170	1.00	EA
6.00	NV 001066110F	SEAT, THR SPD COOLANT	D76XD25XL39	1.00	EA
7.01	NV 000981300F	RING	D185XD80XL82	1.00	EA
8.01	NV 001042101F	ADAPTER, ROTATING UNIONS	D94XD12.2XL76.1	1.00	EA
9.00	NV 00094310106	O-RING	[JIS] P12 (MADE IN JAPAN)	2.00	EA
10.00	NV 001042100F	ADAPTER, THR SPD COOLANT	D42XD12.2XD42	1.00	EA
11.00	NV 00094310117	O-RING	[JIS] P36 (NOK)	1.00	EA
12.01	GX 001042102D	ADAPTER, THR SPD COOLANT	D34.5XD14XL59	1.00	EA
13.00	NV 000049206A	LOCKNUT	[HSIANG KAJI]M30X1.5	1.00	EA
14.00	NV 000199065L	BRACKET, COOLANT PIPE	L170XW29XH55	1.00	EA
15.00	NV 001010900A	PIPE, THR SPD COOLANT	D17XD6.5XL90	1.00	EA
16.00	NV 000733501	DISK SPRING	D20XD10.2XL1.35(H0.8)	36.00	EA
17.00	NV 000668400A	BOLT, SPINDLE	M10X50	4.00	EA

REV	DESCRIPTION	DATE	ENR
A	新設計	2006/07/12	
B	GX 00029700D-->NVA0029704A	2006/09/15	1003724



MODEL: GX 1300#50/1600#50	PART NUMBER: GX 000000301F
PART NAME: SPINDLE TRANSMISSION(Fanuc w/o CTS) 主轴传动( Fanuc w/o CTS)	PAGE: 1 OF 1
DATE: 2006/10/13	SCALE: 1:8
	REV: B

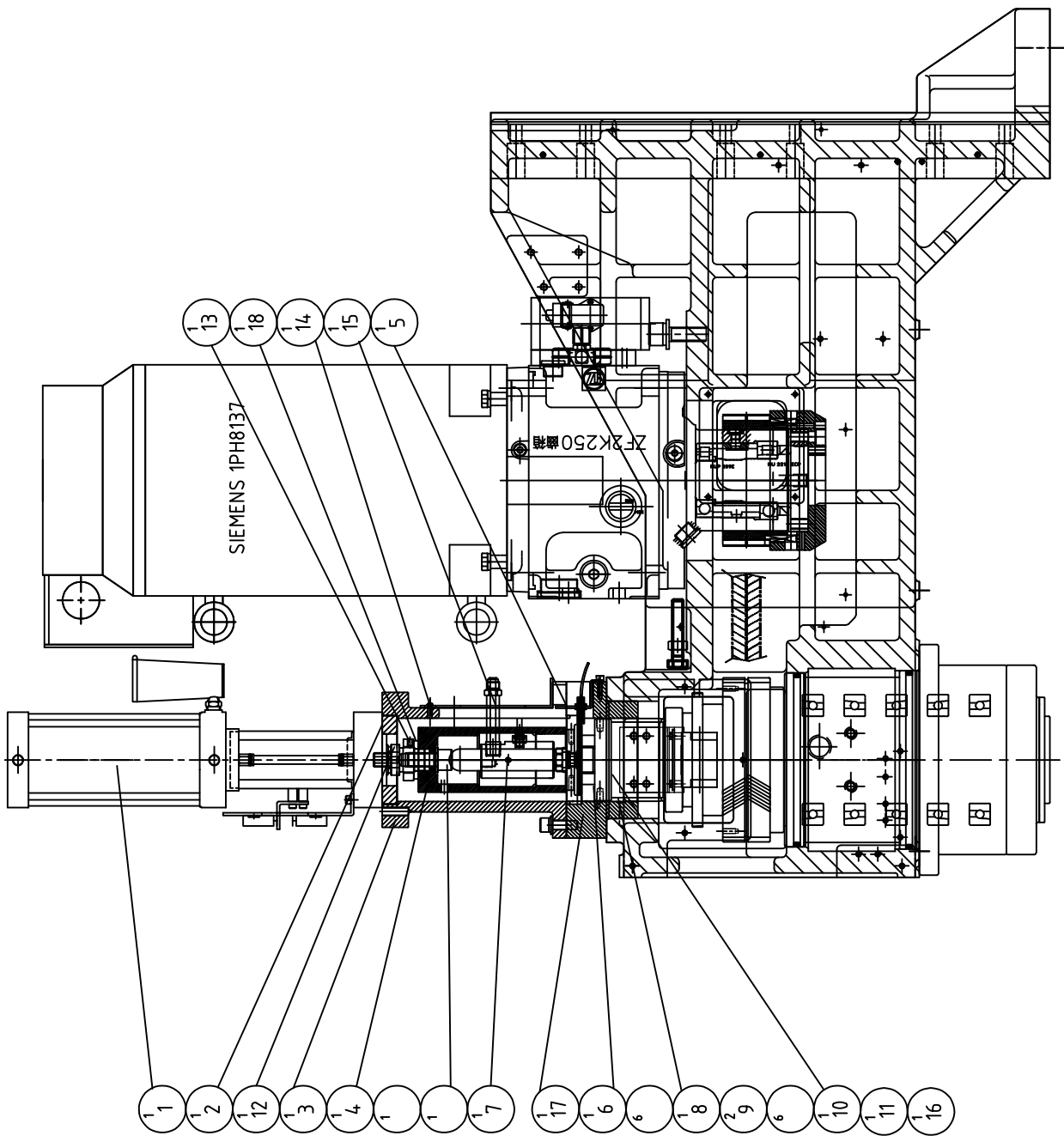
# PRODUCT BOM MASTER AND SUB-ITEMS LIST

Master Item Part NO.: GX 000000301F

Description: CLAMPING SYSTEM(W/O CTS)  
打刀機構(W/O CTS)

Item	Part NO.	Description	中文名稱	Specification	Qty	Unit
1.02	NVA000291704A	BOOSTER CYLINDER	增壓缸(高扭力使用)	4TONSX13MM(G4000)	1.00	ST
2.00	NV 000048102A	BUSHING	襯套	D102XD60XL17	1.00	ST
3.01	NV 000981300F	RING	拉環	D185XD80XL82	1.00	EA
4.01	NV 000981302F	RING	拉環	D94XD47XL24.8	1.00	EA
5.01	NVA000199000F	PLATE, SPINDLE	固定板	D75XL5	1.00	EA
6.00	NV 000668400A	BOLT, SPINDLE	螺栓[凸肩螺絲]	M10X50	5.00	EA
7.00	NV 000733501	DISK SPRING	碟型彈簧	D20XD10.2XL1.35(H0.8)	45.00	EA

REV	DESCRIPTION	DATE	ENR
A		2015/7/21	100390



MODEL: GX 1300#50/1600#50	PART NUMBER
SPINDLE TRANSMISSION(Fanuc w/CTS)	GX 000000303F
打刀機HSK A100( W/ CTS OR ATS)	PAGE 1 OF 1
DATE 2015/7/21	REV. A
DARRIN K. INGRAM	SCALE 1:8

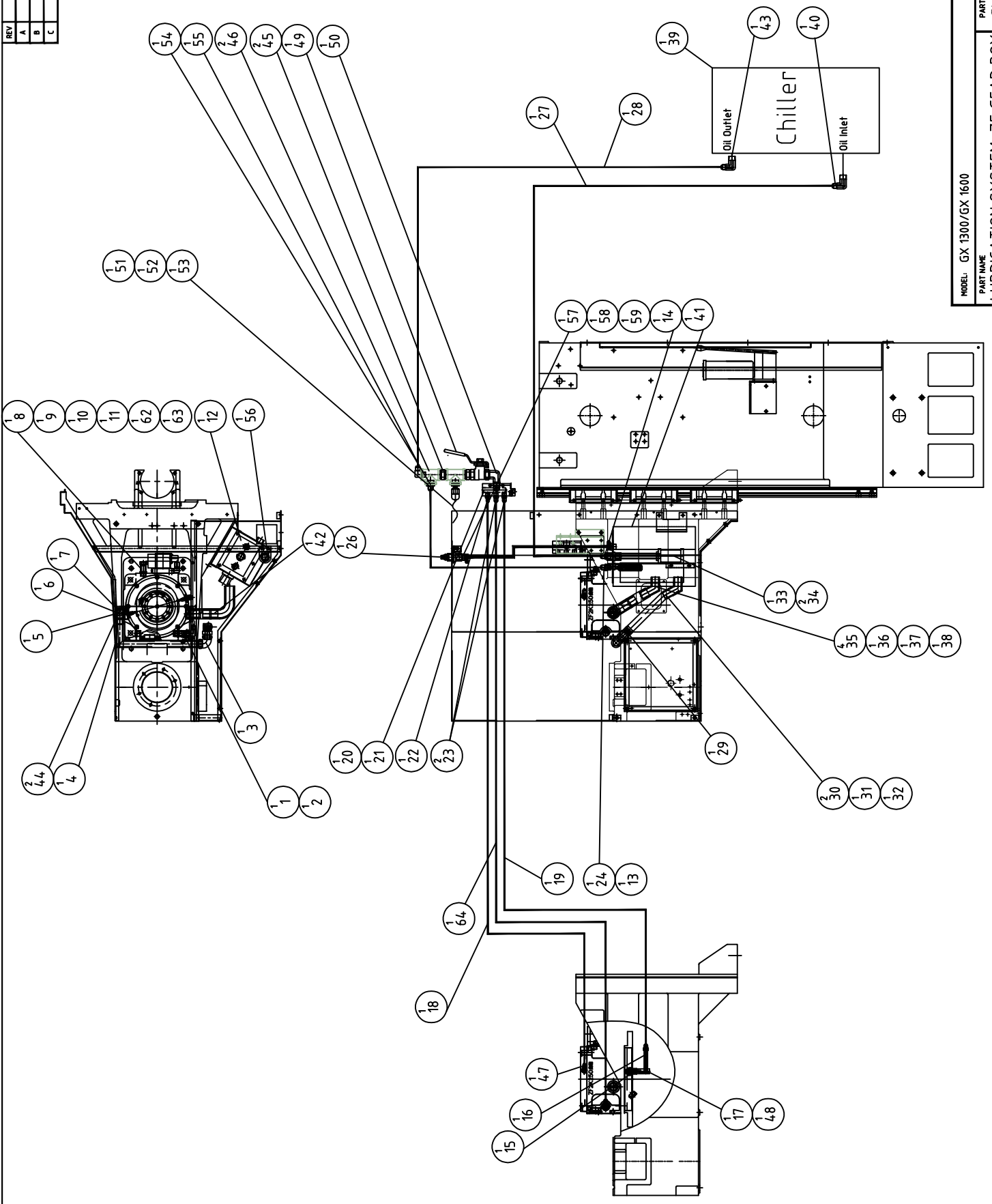
\*\*\*\*\*  
PRODUCT BOM MASTER AND SUB-ITEMS LIST  
\*\*\*\*\*

Master Item Part NO.: GX 000000303F

Description: CLAMPING SYSTEM(W/ CTS)  
打刀機構HSK A100( W/ CTS)

Item Part NO.	Description	中文名稱	Specification	Qty	Unit
1.00 GX 000291701F	BOOSTER CYLINDER	增壓缸(高扭力使用)HSK A100	4TONSX15MM(G4000)	1.00	ST
2.00 NV 000048102A	BUSHING	襯套	D102XD60XL17	1.00	EA
3.00 NV 000981306A	RING, THR SPD COOLANT	拉環(中心給水)	D180XD96XL216	1.00	EA
4.00 NV 001042102A	CONTACT BLOCK	接觸塊	D76XD18XL170	1.00	EA
5.00 GX 000199082F	SENSOR BRACKET	感應固定板	L58XW32XH20	1.00	EA
6.00 NV 001066110F	SEAT, THR SPD COOLANT	支撐座	D76XD25XL39	1.00	EA
7.00 H16BB000410	ADAPTER, SWVIAL STYLE	旋轉接頭	11080V5R/側入口(GAT)(XR 1000)	1.00	EA
8.00 NV 001042101F	ADAPTER, ROTATING UNIONS	旋轉接頭座(#50)	D94XD12.2XL76.1	1.00	EA
9.00 NV 00094310106	O-RING	O型油環	[JIS] P12 (MADE IN JAPAN)	1.00	EA
10.00 NV 001042100F	ADAPTER, THR SPD COOLANT	連結座(#50)	D42XD12.2XD42	1.00	EA
11.00 NV 00094310117	O-RING	O型油環	[JIS] P36 (NOK)	1.00	EA
12.00 GX 001042102D	ADAPTER, THR SPD COOLANT	接頭	D34.5XD14XL59	1.00	EA
13.00 GX 001042102D	ADAPTER, THR SPD COOLANT	接頭	D34.5XD14XL59	1.00	EA
14.00 GX 000199081F	BRACKET, COOLANT PIPE	接頭固定板	L170XW39XH69	1.00	EA
15.00 NV 001010900A	PIPE, THR SPD COOLANT	水管接頭	D17XD6.5XL90	1.00	EA
17.00 GX 000981301F	RING	拉環(HSK A100專用)	D185XD80XL82	1.00	EA
18.00 MW 0105310	FLAT WASHER	平墊圈	M24(D44XT5)	1.00	EA

REV	DESCRIPTION	DATE	ENR
A		2009/1/12	1744
B		2010/09/28	2650
C		2015/05/22	100384



MODEL: GX 1300/GX 1600	PART NUMBER: GXB000331004DT
LUBRICATION SYSTEM, ZF GEAR BOX	
齒輪箱潤滑油系統	
DATE: 2008/2/28	SCALE: 1:22
REV: B	PAGE: 1 OF 1



# PRODUCT BOM MASTER AND SUB-ITEMS LIST

\*\*\*\*\*

Master Item Part NO.: GXB000331004DT

Description: LUBRICATION SYSTEM, ZF GEARBOX  
齒輪箱潤滑油系統

Item	Part NO.	Description	中文名稱	Specification	Qty	Unit
1.00	NV 001010902A	FITTING, LUBRICATION INLET	潤滑油入油管接頭	D20XD14.5XL57	1.00	EA
2.00	NV 00077031504	ELBOW, 90 DEG MALE	90度肘管接頭	PT3/8"(MALE)X9/16"-18UNF(MALE)	1.00	EA
3.00	NV 00077030305	ELBOW, BRASS 90 DEG FEMALE	90度內雙螺紋肘管	PT3/4XPT3/4	1.00	EA
4.00	GX 001010902D	PIPE, GEARBOX	齒輪箱回油管	L343.2XW110.7XD27.2	1.00	EA
5.00	GX 001011545D	COVER, GEARBOX	齒輪箱油蓋	D45XD5.5XL7.5	1.00	EA
6.00	GX 001010904D	ADAPTER, GEARBOX	齒輪箱回油接頭	D48XL49	1.00	EA
8.00	NV 00113350108	MUFFLER, BREATHER	消音器	PT3/8(MSR-03-B)	1.00	EA
9.00	NV 00077031603	TEE ADAPTER, FEMALE&MALE	內外牙三通	PT3/8MXPT3/8FXPT3/8F(P104)	1.00	EA
10.00	NV 00077030219	NIPPLE, STRAIGHT	直接頭	PT3/8"TXPT3/8" T(P013)	1.00	EA
11.00	NV 001010902A	FITTING, LUBRICATION INLET	潤滑油入油管接頭	D20XD14.5XL57	1.00	EA
12.02	GX 000499100D	TOP COVER, LUBRICATE TANK	潤滑油箱上蓋	L166XW131XH2.3	1.00	EA
13.00	NV 00077030232	NIPPLE, STRAIGHT	直接頭	PT1/2X3/4-16UNF	1.00	EA
14.00	NV 00077030904	NIPPLE, STRAIGHT	直接頭	PT1/2"X1 1/16"-12UNF(3/4"H)	1.00	EA
15.00	GX 001010907D	CONNECTOR	油路轉接頭	D18XD5XL47	1.00	EA
16.00	GX 001010906D	ADAPTER	水管接頭	D14XD7XL111	1.00	EA
17.00	GXA001066159D	CONNECTOR	油路轉接頭	D20XL73.1	1.00	EA
18.00	NV 00069650271	HOSE, FLEXIBLE HYDRAULIC	耐油橡膠管(一直一90度)(耐壓15KG包綿紗)	Φ 1/4"XW7/16"-20UNFX0.4M	1.00	EA
20.00	NVA001023420A	MANIFOLD, LUBRICATION	分油塊	L130XW48XH40	1.00	EA
21.00	NV 00077031704	PLUG, SOCKET HEX.	塞頭	PT1/2	1.00	EA
22.00	NV 00077030218	NIPPLE, STRAIGHT	直接頭	PT3/8"X1/4"H (W7/16"-20UNF)(F)	1.00	EA

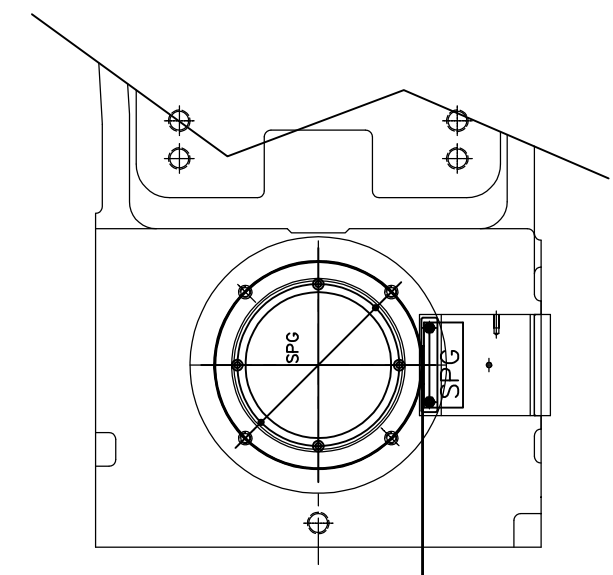
\*\*\*\*\*  
**PRODUCT BOM MASTER AND SUB-ITEMS LIST**  
 \*\*\*\*\*

Item	Part NO.	Description	中文名稱	Specification	Qty	Unit
23.00	NV 00077030208	NIPPLE, STRAIGHT	直接頭	PT3/8X9/16-18UNF	2.00	EA
24.00	BL 00069650168	HOSE, FLEXIBLE HYDRAULIC	耐油橡膠管	R1-Φ 1/2"XW3/4"-16UNFX0.6M	1.00	EA
26.00	NV 00113350106	MUFFLER, BREATHER	消音器	PT1/2" (SL-04)	1.00	EA
27.00	NV 00069650305	HOSE, FLEXIBLE HYDRAULIC	耐油橡膠管	R1-1 1/16-12UNFX5.5M	1.00	EA
28.00	NV 00069650168	HOSE, FLEXIBLE HYDRAULIC	耐油橡膠管	R1-Φ 1/2"XW3/4"-16UNFX5M	1.00	EA
29.00	GX 001010910D	ADAPTER, GEARBOX	齒輪箱回油轉接頭	PT3/4"XΦ 1 1/4"(內孔L20)	1.00	EA
30.00	NV 00069660301	CLAMP, HOSE	不銹鋼管夾	1 1/4"(20-32MM)	2.00	EA
31.00	NV 00077030517	CONNECTOR	62度插心直接頭	PT1"XΦ 1 1/4" (62 DEGREE)	1.00	EA
32.00	NV 00069650256	HOSE, ZF GEARBOX	明網管	Φ 1 1/4"X40MM	1.00	EA
33.00	NV 00116140119	FILTER	濾網	[諭興]L01000MF04	1.00	EA
34.00	GX 001010908D	PIPE, LUBRICATE TANK	潤滑油箱油管	D27.1XD16.5XL180	2.00	EA
35.00	NV 00069660301	CLAMP, HOSE	不銹鋼管夾	1 1/4"(20-32MM)	4.00	EA
36.00	NV 00077030517	CONNECTOR	62度插心直接頭	PT1"XΦ 1 1/4" (62 DEGREE)	1.00	EA
37.00	NV 00069650256	HOSE, ZF GEARBOX	明網管	Φ 1 1/4"X40MM	1.00	EA
38.00	NV 00069650128	90 DEGREE HOSE, ZF GEARBOX	90度耐油橡膠管	HOSE Φ 1-1/4", L=260	1.00	EA
39.01	GX 00034120105	CHILLER	油冷卻機	[HABOR] HBO-1000PSB-R407C	1.00	ST
40.00	NV 00077031531	ELBOW, 90 DEG MALE	90度肘管接頭	PT1"X1 1/16"-12UNF	1.00	EA
41.00	GX 000399097D	LUBRICATE TANK, W/ZF GEARBOX	潤滑油箱(配ZF齒輪箱)(加大油箱)	L170XW135XH328	1.00	EA
42.00	GX 001010909D	ADAPTER, GEARBOX	齒輪箱回油轉接頭	D35XD28XL60	1.00	EA
43.00	NV 00077031532	ELBOW, 90 DEG MALE	90度肘管接頭	PT1"(MALE)X3/4"-16UNF(MALE)	1.00	EA
44.00	NV 00094310104	O-RING	O型油環	[JIS] P35	2.00	EA
45.00	NV 00077030207	CONNECTOR, STRAIGHT	直接頭	PT3/4"XPT3/4"	2.00	EA
46.00	NV 00077030405	TEE UNION	內螺紋三通	PT3/4"	2.00	EA

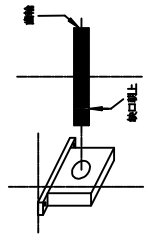
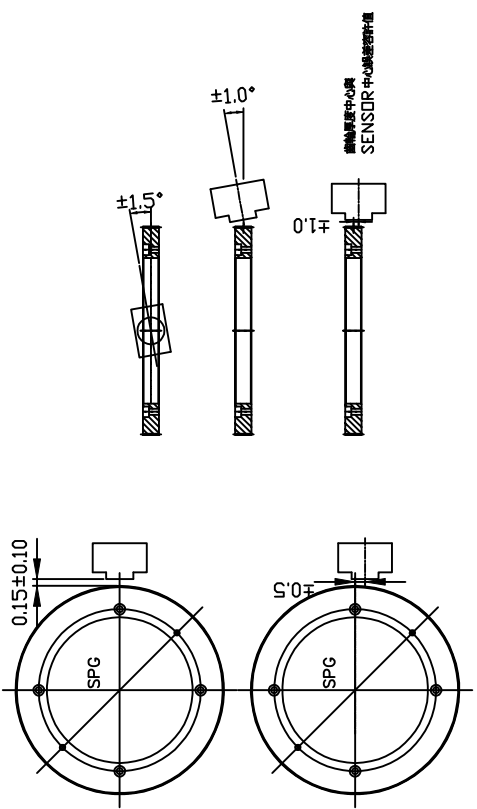
## PRODUCT BOM MASTER AND SUB-ITEMS LIST

Item	Part NO.	Description	中文名稱	Specification	Qty	Unit
47.00	NV 00077031510	ELBOW,90 DEG MALE	90度肘管接頭	PT1/4"MALEXW7/16"-20UNF MALE	1.00	EA
48.00	NV 00094310102	O-RING	O型油環	[JIS] P10	1.00	EA
49.00	NV 00100590211	BALL VALVE	球式閥	PT3/4"	1.00	EA
50.00	NV 00077031816	ELBOW,BRASS 90 DEG MALE&FEMALE	90度外雙螺紋肘管	PT3/4"XPT3/4"	1.00	EA
51.00	NV 00077031206	BUSHING	卜申接頭	PT3/4(MALE)"PTX1/4"(FEMALE)	1.00	EA
52.00	NV 00077031215	BUSHING	卜申接頭(銅)	PT1/4"MXPT1/8"F	1.00	EA
53.00	NV 00117360104	PRESSURE SWITCH	壓力開關(高扭力使用)	0.1~1KG/CM2 [TSWU KWANJ](PMN1A	1.00	EA
54.00	NV 00077030237	NIPPLE, STRAIGHT	直接頭	PT3/4X3/4-16UNF	1.00	EA
55.01	NV 00077031524	ELBOW, 90 DEG MALE	90度肘管接頭	PT3/4"(MALE)X3/4"-16UNF (MALE)	1.00	EA
57.00	NV 00077030512	CONNECTOR	插心直接頭	PT1/2"XΦ 1/2"	1.00	EA
58.00	NV 00069660308	CLAMP, HOSE	不銹鋼管夾	3/4"(10-20MM)	2.00	EA
59.00	NV 00069650326	HOSE, FLEXIBLE HYDRAULIC	耐油橡膠管	1/2"-1BX8KG/CM2X0.65M	1.00	EA
60.00	GX 001066111F	GEAR BOX FILLER	齒輪箱加油口	L67XW46,PT1/2雙內牙	1.00	EA
61.00	NV 00069650264	HOSE, FLEXIBLE HYDRAULIC	耐油橡膠管(耐壓15KG/C㎡包綿紗)	Φ 1/4"XW7/16"-20UNFX0.4M	2.00	EA
62.00	NV 00077030602	UNION	直雙內牙接頭	PT3/8XPT3/8	1.00	EA
63.00	H3400003S80	PLUG	內六角孔塞頭	3/8"PT(XR 1000)	1.00	EA
64.00	BL 00069650185	HOSE, FLEXIBLE HYDRAULIC	耐油橡膠管	Φ 3/8"XW9/16"-18UNFX0.4M	1.00	EA

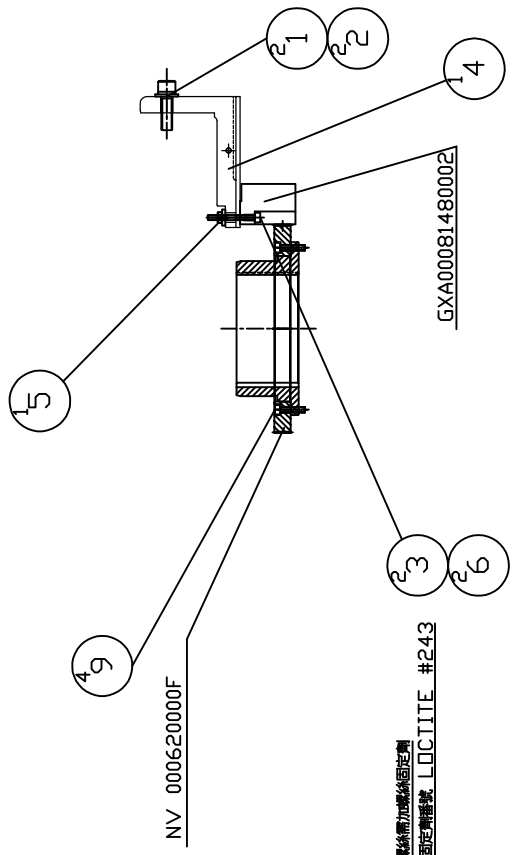
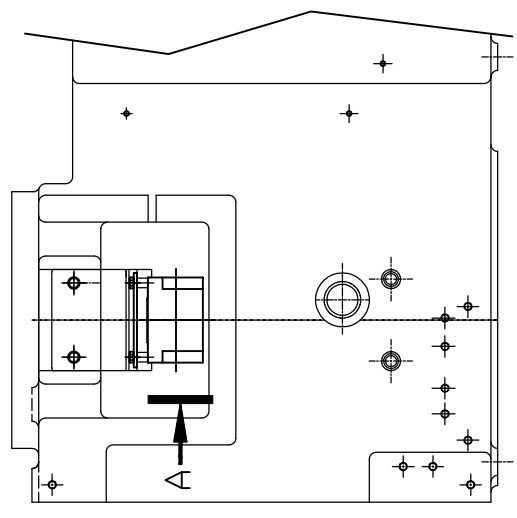
REV	DESCRIPTION	DATE	ECN
A	新增, 去除#7 #8	2006/10/22	212



SENSOR 偵測面與齒輪外徑之間距 $0.15 \pm 0.1mm$



- 安裝注意事項  
 1. 安裝時齒輪外徑若有油污雜物應先予清除  
 2. SENSOR 偵測面與齒輪外徑之間距 $0.15 \pm 0.1mm$ .



- 1 固定螺絲需加螺絲固定劑  
 2 螺絲固定劑編號 LOC11E #243

A-VIEW

(#7)+(#8)=NV 000814801

MODEL: GX 1300#50/GX 1600#50	PART NUMBER: GX 001178001F
PART NAME: SPINDLE ORIENTATION	PAGE 1 OF 1
主車由定, 位立	REV. A
DATE 2006/11/22	SCALE 1:6

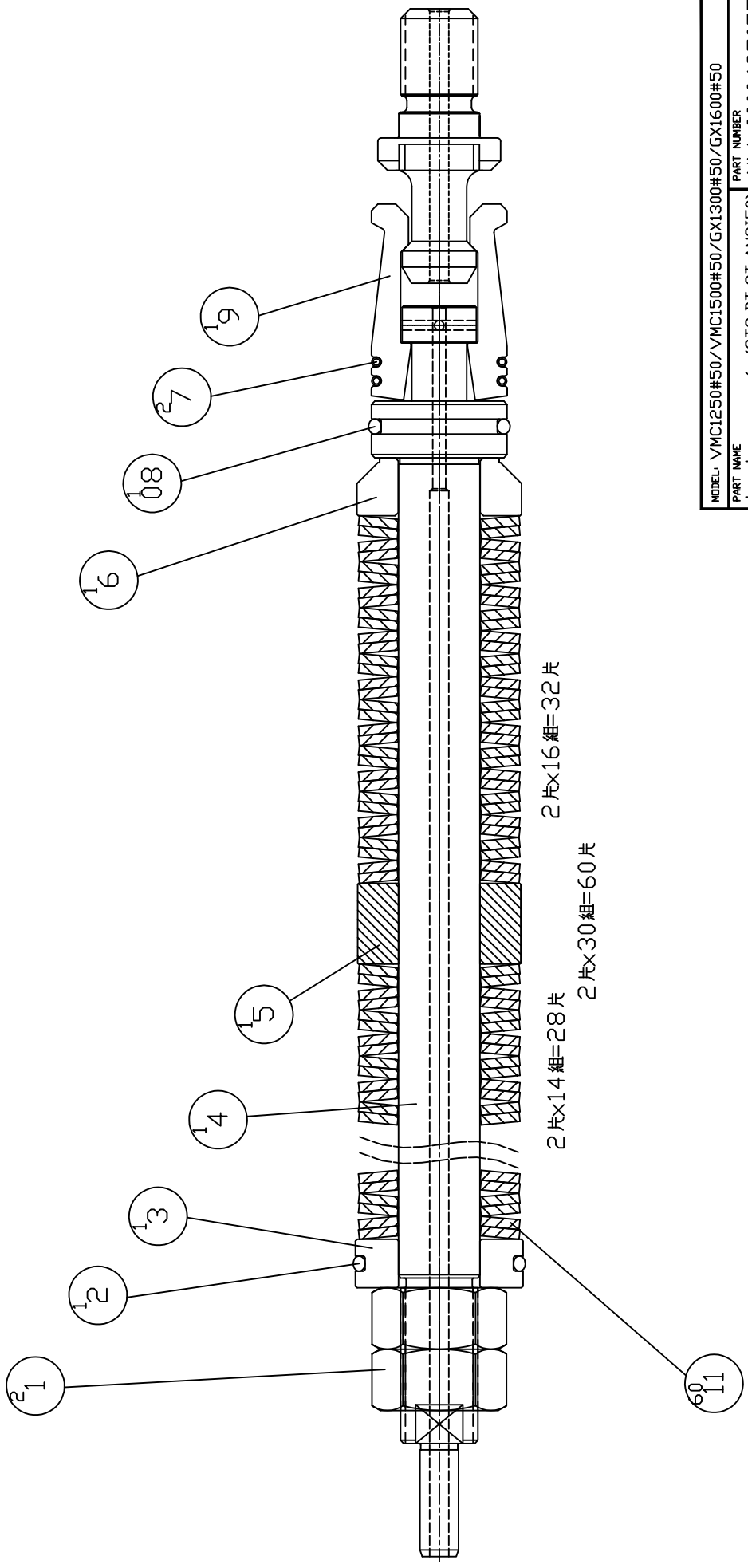
# PRODUCT BOM MASTER AND SUB-ITEMS LIST

Master Item Part NO.: GX 001178001F

Description: SPINDLE ORIENTATION  
主軸定位

Item	Part NO.	Description	中文名稱	Specification	Qty	Unit
1.00	MS 0103820	SOCKET HEAD CAP SCREW	六角穴圓頭螺絲	M8XP1.25XL30	2.00	EA
2.00	MW 0183810	SPRING WASHER	彈簧墊圈	M8(HEAT TREATMENT)	2.00	EA
3.00	MS 0103420	SOCKET HEAD CAP SCREW	六角穴圓頭螺絲	M4XP0.7XL30	2.00	EA
4.01	GX 001066102F	BRACKET,ENCODER	計速器固定座	L97XW74.9XH74	1.00	ST
5.00	NV 000199005A	PLATE, ENCODER	計速器固定板	L70XW12XH2.3	1.00	EA
6.00	MW 0183410	SPRING WASHER	彈簧墊圈	M4(HEAT TREATMENT)	2.00	EA
9.00	MS 0103418	SOCKET HEAD CAP SCREW	六角穴圓頭螺絲	M4XP0.7XL20	4.00	EA

REV	DESCRIPTION	DATE	ECN
A	新規設計	2005/12	TNN/031
B	0.1 変更(中心給水, BT, CT, ANSI50)	2005/04	TNN/0596
C	0.2 変更(中心給水, BT, CT, ANSI50)	2007/02	2-3-6
D	0.3 変更(中心給水, BT, CT, ANSI50)	2007/02	1003E3



MODEL: VMC1250#50/VMC1500#50/GX1300#50/GX1600#50
PART NAME: 0.55m(w/CTS,BT,CT,ANSI50)
PART NUMBER: NV 000048505F
主軸拉桿(中心給水, BT, CT, ANSI50)
PAGE: 1 OF 1
DATE: 2003/11/16
SCALE: 1:2
REV: D

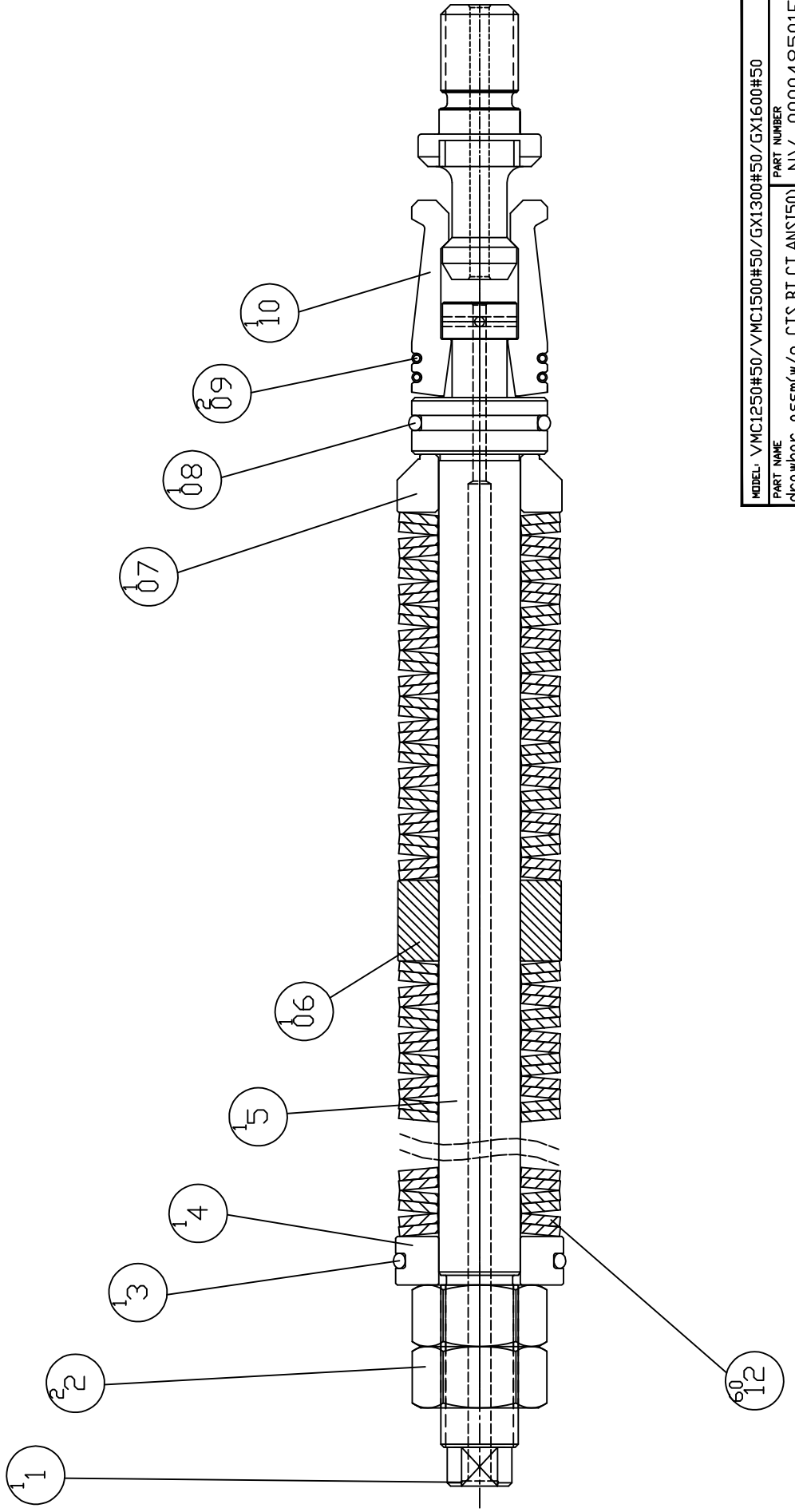
\*\*\*\*\*  
**PRODUCT BOM MASTER AND SUB-ITEMS LIST**  
 \*\*\*\*\*

Master Item Part NO.: NV 000048505F

 Description: DRAWBAR (WITH CTS BT50)  
 主軸拉桿(中心給水,BT50)

Item	Part NO.	Description	中文名稱	Specification	Qty	Unit
1.00	MN 0115310	HEXAGON NUT	六角螺帽	M24XP3.0	2.00	EA
2.00	NV 00094310132	O-RING	O型油環	[NOK] 4DP46(VITON)	1.00	EA
3.01	NV 000048100F	BUSHING	襯套	D51.9XD25.2XL15	1.00	ST
4.01	NVA000048001F	DRAWBAR(W/ CTS)	拉桿(中心給水)	D42XD4XL387.2	1.00	ST
5.01	NV 000179955F	SPACER OF DISK SPRING	碟型彈簧間隔環	D50.5XD25.2XH25	1.00	EA
6.00	NV 000417304F	WASHER, THRUST	墊圈	D50.4XD25.4XL18	1.00	EA
7.00	NVA000733516	SPRING, RETENTION KNOB	抓刀彈簧(#50)	D2.9XD1.95XL87	2.00	EA
8.00	NV 00094310131	O-RING	O型油環	[NOK] 4DP36(VITON)	1.00	EA
9.01	NVA000806300F	HOLDER, RETENTION KNOB	BT50抓刀爪	D42XD17.5XL60.5	1.00	EA
11.01	NVA00073350108	DISK SPRING	碟型彈簧(珠擊)	[SCHNORR]D50XD25.4XL4.1(T=3)(S	60.00	EA

REV	DESCRIPTION	DATE	ECN
A	新規設計	2003/12	TNN/031
B	01 仕様変更	2005/04	TNN/0506
C	02 仕様変更	2007/22	000223



MODEL: VMC1250#50/VMC1500#50/GX1300#50/GX1600#50	
PART NAME	PART NUMBER
055m(w/o CTS,BT,CT,ANSI50)	NV 000048501F
主軸拉棒<無中心給水,BT,CT,ANSI50>	PAGE 1 DF 1
DATE 2003/11/16	SCALE 1:2
	REV. C



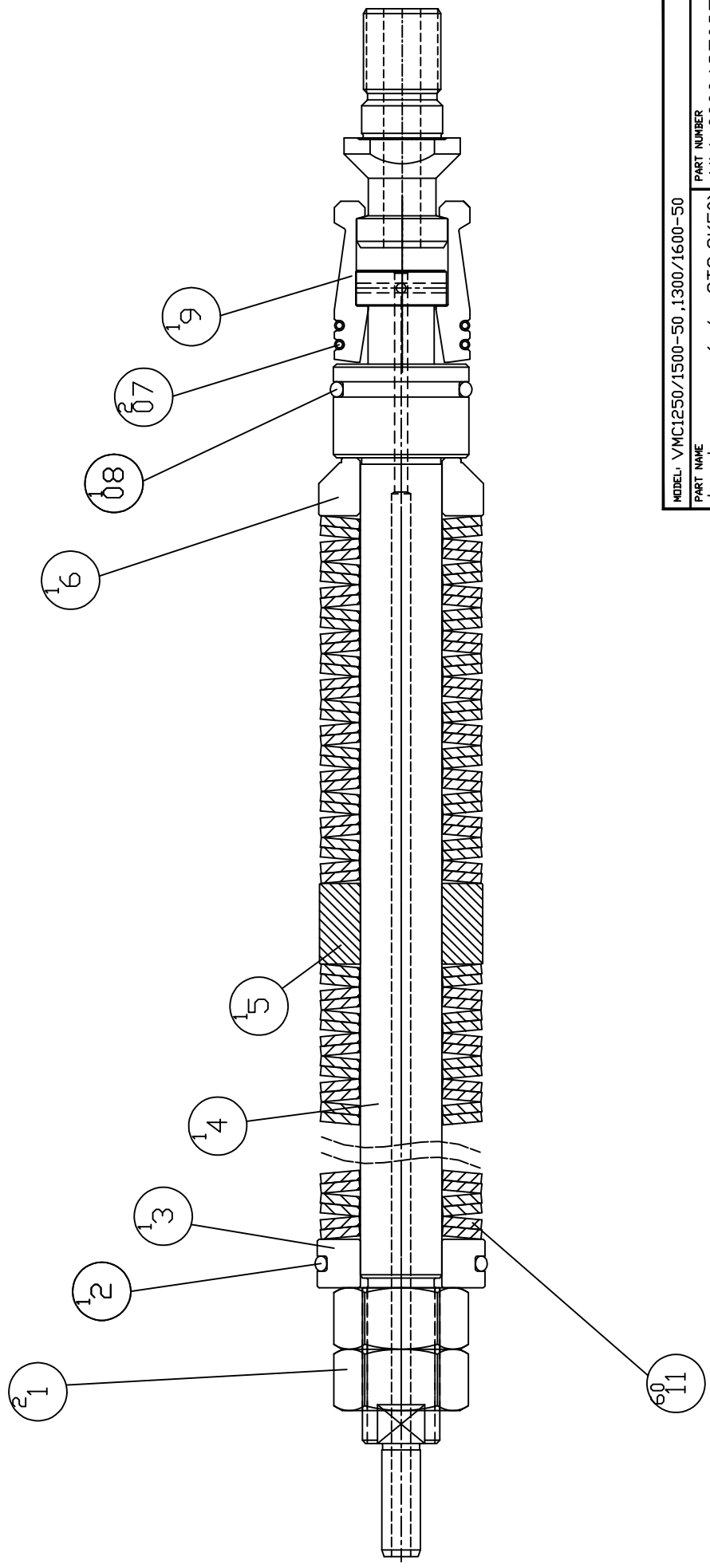
PRODUCT BOM MASTER AND SUB-ITEMS LIST  
\*\*\*\*\*

Master Item Part NO.: NV 000048501F

Description: DRAWBAR ASSM(W/O CTS BT50)  
主軸拉桿(無中心給水,BT50)

Item	Part NO.	Description	中文名稱	Specification	Qty	Unit
1.00	NV 00094310101	O-RING	O型油環	[JIS] P8, HS70 (NOK)	1.00	EA
2.00	MN 0115310	HEXAGON NUT	六角螺帽	M24XP3.0	2.00	EA
3.00	NV 00094310132	O-RING	O型油環	[NOK] 4DP46(VITON)	1.00	EA
4.01	NV 000048100F	BUSHING	襯套	D51.9XD25.2XL15	1.00	ST
5.02	NVA000048000F	DRAWBAR(W/O CTS)	拉桿(無中心給水)	D42XD4XL366.2	1.00	ST
6.01	NV 000179955F	SPACER OF DISK SPRING	碟型彈簧間隔環	D50.5XD25.2XH25	1.00	EA
7.00	NV 000417304F	WASHER, THRUST	墊圈	D50.4XD25.4XL18	1.00	EA
8.00	NV 00094310131	O-RING	O型油環	[NOK] 4DP36(VITON)	1.00	EA
9.00	NVA000733516	SPRING, RETENTION KNOB	抓刀彈簧(#50)	D2.9XD1.95XL87	2.00	EA
10.01	NVA000806300F	HOLDER, RETENTION KNOB	BT50抓刀爪	D42XD17.5XL60.5	1.00	EA
12.01	NVA00073350108	DISK SPRING	碟型彈簧(珠擊)	[SCHNORR]D50XD25.4XL4.1(T=3)(S	60.00	EA

REV	DESCRIPTION	DATE	ECN
A	新規設計	2005/12	TNV/031
B	1.1 部品-11 追加, 11 追加-11 追加	2005/14	TNV/036
C	部品追加(1300/1600)追加	2006/6/5	1308
D	部品追加(1300/1600)追加	2007/12	1003E33



MODEL: VMC1250/1500-50, 1300/1600-50	PART NUMBER
drawbar assm(w/o CTS,SK50)	NV 000048508F
主軸掛拉棒<有中心給水,SK50>	PAGE 1 OF 1
DATE 2003/11/16	REV. D
SCALE 1:2	

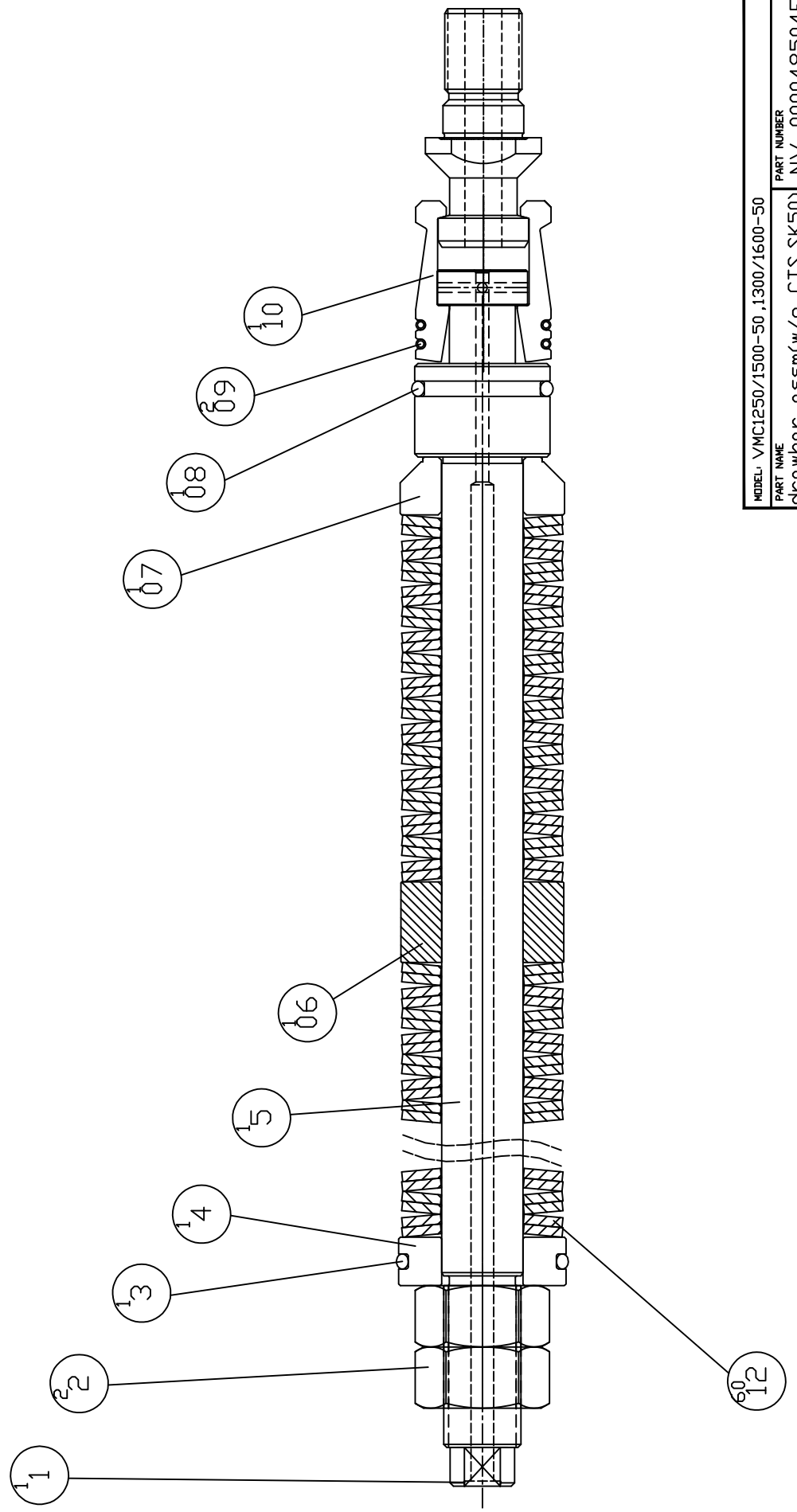
PRODUCT BOM MASTER AND SUB-ITEMS LIST  
\*\*\*\*\*

Master Item Part NO.: NV 000048508F

Description: DRAWBAR ASSM (CTS SK50)  
主軸拉桿(中心給水,SK50)

Item	Part NO.	Description	中文名稱	Specification	Qty	Unit
1.00	MN 0115310	HEXAGON NUT	六角螺帽	M24XP3.0	2.00	EA
2.00	NV 00094310132	O-RING	O型油環	[NOK] 4DP46(VITON)	1.00	EA
3.01	NV 000048100F	BUSHING	襯套	D51.9XD25.2XL15	1.00	ST
4.02	NVA000048005F	DRAWBAR, SK50 W/CTS	拉桿(SK50, W/CTS)	D30XD4XL398.2	1.00	ST
5.01	NV 000179955F	SPACER OF DISK SPRING	碟型彈簧間隔環	D50.5XD25.2XH25	1.00	EA
6.00	NV 000417304F	WASHER, THRUST	墊圈	D50.4XD25.4XL18	1.00	EA
7.00	NVA000733516	SPRING, RETENTION KNOB	抓刀彈簧(#50)	D2.9XD1.95XL87	2.00	EA
8.00	NV 00094310131	O-RING	O型油環	[NOK] 4DP36(VITON)	1.00	EA
9.02	NVA000806307F	HOLDER, RETENTION KNOB	SK50抓刀爪	D42XD11XL49.9	1.00	EA
11.01	NVA00073350108	DISK SPRING	碟型彈簧(珠擊)	[SCHNORR]D50XD25.4XL4.1(T=3)(S	60.00	EA

REV	DESCRIPTION	DATE	ECN
A	新規方式	2005/1/12	TNN/031
B	01 無中心給水、無中心給水、無中心給水	2005/5/14	TNN/058
C	02 無中心給水、無中心給水、無中心給水	2006/6/5	1308
D	03 無中心給水、無中心給水、無中心給水	2007/1/22	1003E33



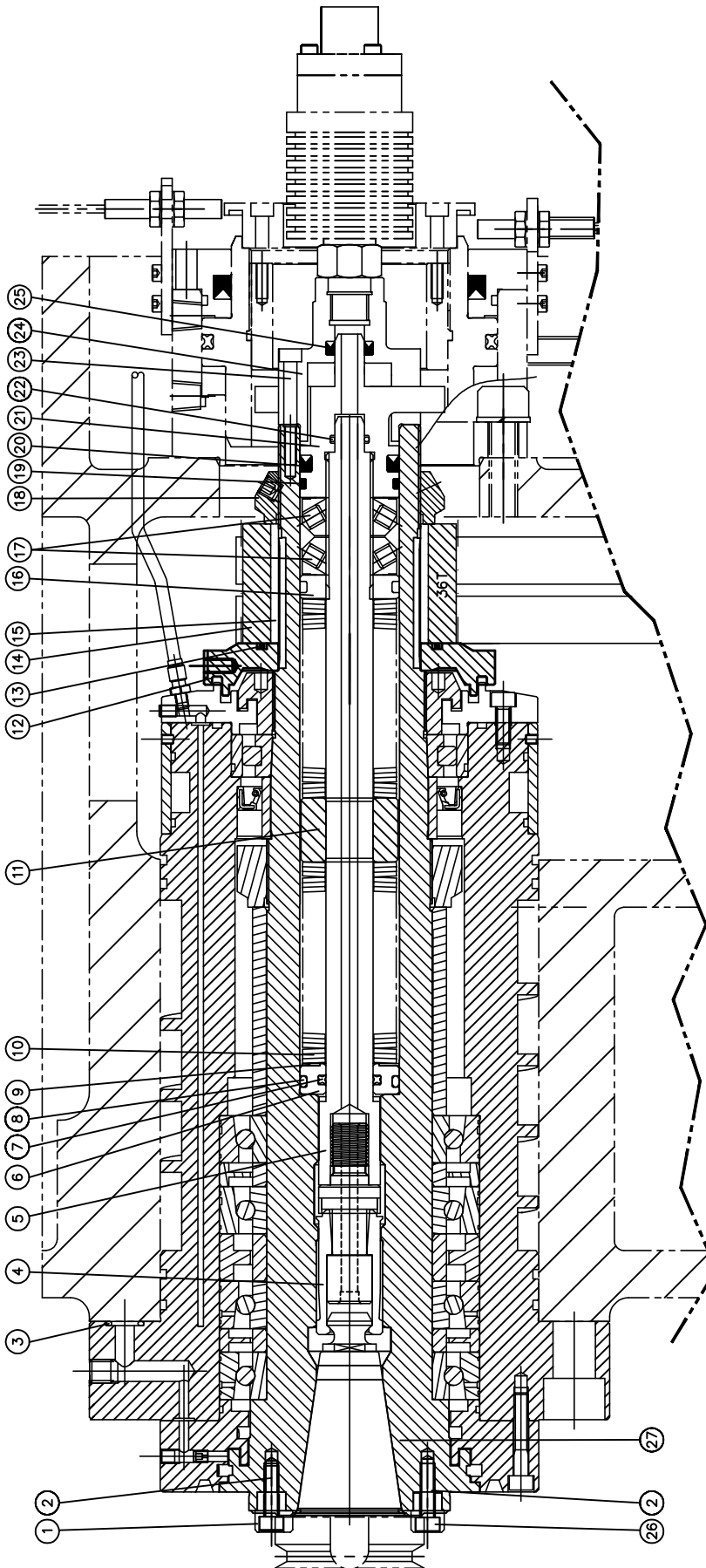
MODEL: VMC1250/1500-50, 1300/1600-50	PART NUMBER
drawbar assm(w/o CTS,SK50)	NV 000048504F
主軸拉桿組 無中心給水, SK50	PAGE 1 OF 1
DATE 2003/11/16	REV. D
DATE 2003/11/16	SCALE 1:2

\*\*\*\*\*  
**PRODUCT BOM MASTER AND SUB-ITEMS LIST**  
 \*\*\*\*\*

Master Item Part NO.: NV 000048504F

 Description: DRAWBAR ASSM(W/O CTS SK50)  
 主軸拉桿(無中心給水,SK50)

Item	Part NO.	Description	中文名稱	Specification	Qty	Unit
1.00	NV 00094310101	O-RING	O型油環	[JIS] P8, HS70 (NOK)	1.00	EA
2.00	MN 0115310	HEXAGON NUT	六角螺帽	M24XP3.0	2.00	EA
3.00	NV 00094310132	O-RING	O型油環	[NOK] 4DP46(VITON)	1.00	EA
4.01	NV 000048100F	BUSHING	襯套	D51.9XD25.2XL15	1.00	ST
5.03	NVA000048004F	DRAWBAR, SK50 W/O CTS	拉桿(SK50, W/O CTS)	D42XD4XL377.2	1.00	ST
6.01	NV 000179955F	SPACER OF DISK SPRING	碟型彈簧間隔環	D50.5XD25.2XH25	1.00	EA
7.00	NV 000417304F	WASHER, THRUST	墊圈	D50.4XD25.4XL18	1.00	EA
8.00	NV 00094310131	O-RING	O型油環	[NOK] 4DP36(VITON)	1.00	EA
9.00	NVA000733516	SPRING, RETENTION KNOB	抓刀彈簧(#50)	D2.9XD1.95XL87	2.00	EA
10.02	NVA000806307F	HOLDER, RETENTION KNOB	SK50抓刀爪	D42XD11XL49.9	1.00	EA
12.01	NVA00073350108	DISK SPRING	碟型彈簧(珠擊)	[SCHNORR]D50XD25.4XL4.1(T=3)(S	60.00	EA



Q'TY	SPECIFICATION	C-PARTS NAME	E-PARTS NAME	DRAWN NUMBER	ITEM
2	SCM4	主軸(軸)	SPINDLE PULLEY	3600103171	15
1	S45C(conti tech)	O形環	O-RING	3600103950	14
1	G70	平衡輪	BALANCE WHEEL	J2600G07000	13
1	S45C	盤形彈簧	DISK SPRING	3600103862	12
1	SCM4	盤形彈簧	SPACER	3600108122	11
7	PCE 40X20.4X21	O形環	O-RING	A22DS040022	10
1	AS2542	O形環	O-RING	E0006AS2542	9
1	P36	O形環	O-RING	J2600P03600	8
1	QR4211-366Y	墊片	SPACER	J2700Q02000	7
1	S45C	墊片	SPACER	3600105111	6
1	SNCMB	墊片	DRAW BAR	3600107010	5
1	BERG-40-ANSI	夾環	COLLECT	C130BANSI40	4
5	PT2	O形環	O-RING	J2600P01200	3
2	MX220L	六角螺絲母	SKT.HD.CAP. SCREW	A06CB060200	(2)
1	SCM4	主軸(軸)	SPINDLE NOSE KEY-R	3600105413	1
Q'TY	SPECIFICATION	C-PARTS NAME	E-PARTS NAME	DRAWN NUMBER	ITEM



TITLE  
SPINDLE ASS'Y  
WB40R II(BT&ISO)+36T

DRG No. SB4R0123613

SHEET No.1-1

ISSUE No. 4

Q'TY	SPECIFICATION	C-PARTS NAME	E-PARTS NAME	DRAWN NUMBER	ITEM
1	WB40R II (Weiss:176902A)	主軸	SPINDLE NOSE KEY-L	XR_000015704A	27
1	SCM4	主軸(軸)	SKY-PACKING	3600105403	26
1	SKY-12.5	墊片	RING	J04SHSKY12	25
1	SCM4	打刀環	SKT.HD.CAP. SCREW	3600147324	24
6	MSX40L	六角螺絲母	O-RING	A06CB050400	(23)
1	PT2.5	O形環	RING	J2600P01250	22
1	SCM4	打刀環	SKY-PACKING	3600147315	21
1	SKY-32	墊片	TURCITE	J04SHSKY032	20
1	12.5t X 4.0 W	墊片	LOCKING NUT	J04SHSWA000	19
1	MF60 OR YSF-60	墊片	LOCKING NUT	A3300YSF600	18
2	MF18 OR YSF-18	墊片	SPACER	A3300YSF180	17
1	SCM21	螺絲		3600107140	16
Q'TY	SPECIFICATION	C-PARTS NAME	E-PARTS NAME	DRAWN NUMBER	ITEM

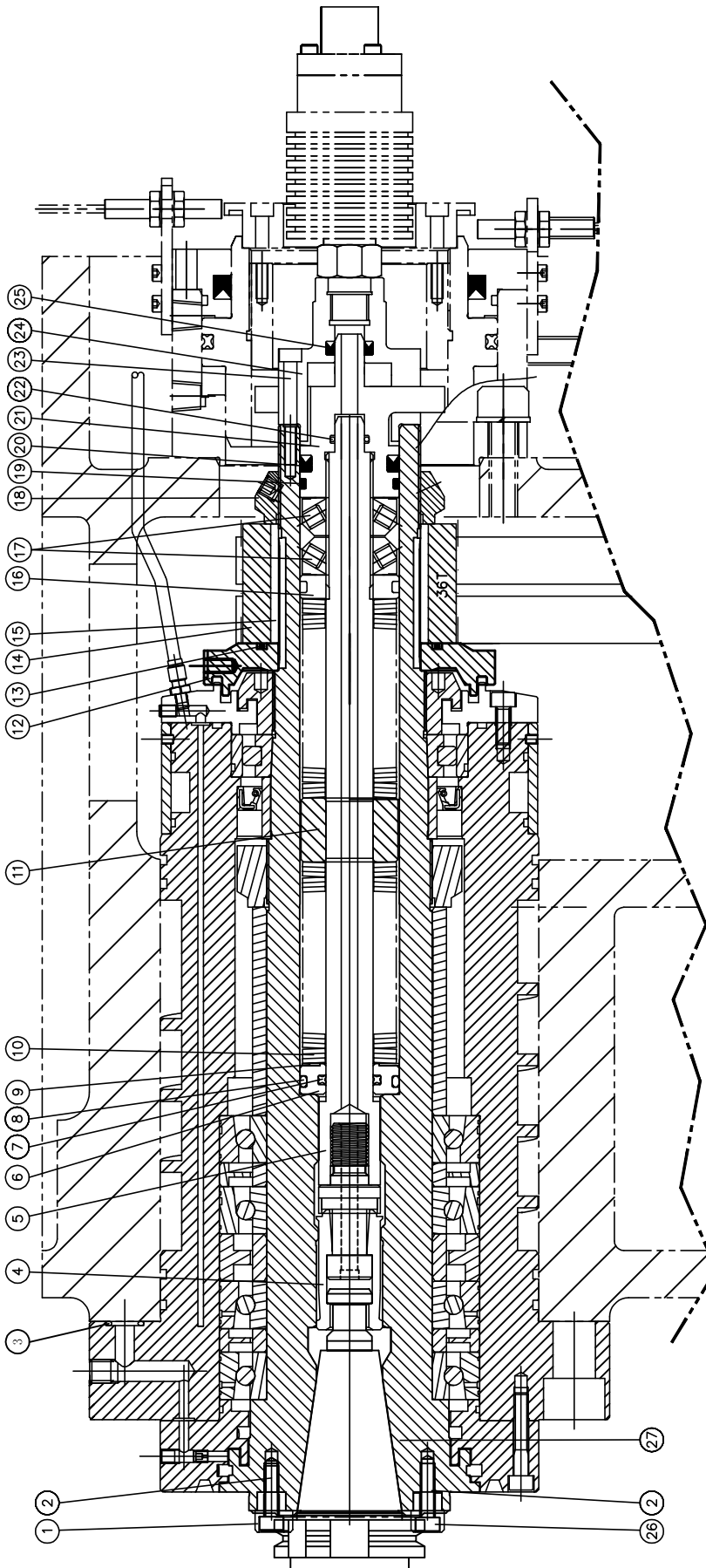
\*\*\*\*\*  
PRODUCT BOM MASTER AND SUB-ITEMS LIST  
\*\*\*\*\*Master Item Part NO.: SB4R0123613  
Description: SPINDLE ASS`Y  
主軸(XR610/760/1000)12KRPM

Item	Part NO.	Description	中文名稱	Specification	Qty	Unit
1.00	3600105413	SPINDLE NOSE KEY-L	主軸左端鍵	SCM4(XR 1000)	1.00	EA
3.00	J2600P01200	O-RING	O型油環	P12	1.00	EA
4.00	C130BANSI40	COLLECT	四瓣爪	BERG-40-ANSI(固定式)(XR 1000)	1.00	EA
5.01	3600107010	DRAW BAR	拉桿	SNCM8(XR 1000)	1.00	EA
6.00	3600105111	SPACER	墊片	S45C(XR 1000)	1.00	EA
7.00	J2700Q02000	STAR-RING	星型環	QRAR4211-N7004(XR 1000)	1.00	EA
8.00	J2600P03600	O-RING	O型油環	P36	1.00	EA
9.00	E0006AS2542	WASHER, BEARING	軸承用墊圈	AS 2542(XR 1000)	1.00	EA
10.00	A22DS040022	DISK SPRING	盤型彈簧	40*20.4*2*3.1L(珠擊)	78.00	EA
11.00	3600108122	SPACER	盤型彈簧間隔片	SCM4(XR 1000)	1.00	EA
12.00	3600103862	BALANCE WHEEL	平衡輪	S45C(XR 1000)	1.00	EA
13.00	J2600G07000	O-RING	O型環	G70(XR 1000)	1.00	EA
14.00	3600103950	SPINDLE PULLEY	主軸皮帶輪	S45C/染黑(XR 1000)	1.00	EA
15.00	3600103171	KEY	鍵	SCM4(XR 1000)	2.00	EA
16.00	3600107140	SPACER	隔環	SCM21/染黑(XR 1000)	1.00	EA
17.00	A3300YSF180	LOCKING NUT	精密鎖定螺帽	M18X1.0P(XR 1000)	2.00	EA
18.00	A3300YSF600	LOCKNUT	LOCKNUT	YSF 60*2P	1.00	EA
19.00	J04SHSWA000	TURCITE	耐磨環	2.5X4.3/GMP64(XR 1000)	1.00	EA
20.00	J04SHSKY032	SKY-PACKING	油封	SKY-32(XR 1000)	1.00	EA
21.00	3600147315	RING	打刀母環	SCM440(XR 1000)	1.00	EA

PRODUCT BOM MASTER AND SUB-ITEMS LIST  
\*\*\*\*\*

Item	Part NO.	Description	中文名稱	Specification	Qty	Unit
22.00	J2600P01250	O-RING	O型油環	P12.5	1.00	EA
24.01	3600147324	RING	打刀公環	SCM440(XR 1000)	1.00	EA
25.00	J04SHSKY12S	SKY-PACKING	油封	SKY-12.5(XR 1000)	1.00	EA
26.00	3600105403	SPINDLE NOSE KEY-R	主軸右端鍵	SCM4(XR 1000)	1.00	EA
27.02	XR 000015704A	SPINDLE	主軸(WEISS-BELT)	ASSM(WEISS:176902B)	1.00	ST





Q'TY	SPECIFICATION	C-PARTS NAME	E-PARTS NAME	DRAWN NUMBER	ITEM
2	SCM4	主軸	SKY-12.5	3600103171	15
1	S45C(conti tech)	主軸殼(左)	SKY-12.5	3600103950	14
1	G70	油封	打刀環	J2600G07000	13
1	S45C	打刀環	大螺絲螺帽	3600103862	12
1	SCM4	大螺絲螺帽	打刀環	3600108122	11
78	PCB 40X20.4X21	銅形彈簧	打刀環	A22DS040022	10
1	AS2542	螺絲墊片	打刀環	E0006AS2542	9
1	P36	O形環	打刀環	J2600P03600	8
1	QR4211-366Y	螺絲環	打刀環	J2700Q02000	7
1	S45C	螺絲	打刀環	3600105111	6
1	SNCMB	墊片	打刀環	3600107010	5
1	9T06H-07	夾環	打刀環	CI30BDINO40	4
5	PT2	O形環	打刀環	J2600P01200	3
2	MSX20L	大螺絲螺帽	打刀環	A06CB060200	(2)
1	SCM4	主軸殼(右)	打刀環	3600105413	1
Q'TY	SPECIFICATION	C-PARTS NAME	E-PARTS NAME	DRAWN NUMBER	ITEM



TITLE SPINDLE ASS'Y  
WB40R II(DIN)+36T

DRG No. SB4R0123623

SHEET No.1-1

ISSUE No.3

Q'TY	SPECIFICATION	C-PARTS NAME	E-PARTS NAME	DRAWN NUMBER	ITEM
1	WB40R (Weiss: 176902A)	主軸	SKY-12.5	XR_000015704A	27
1	SCM4	主軸殼(左)	SKY-12.5	3600105403	26
1	SKY-12.5	油封	打刀環	J04SHSKY12S	25
1	SCM4	打刀環	大螺絲螺帽	3600147324	24
6	MSX40L	大螺絲螺帽	打刀環	A06CB050400	(23)
1	PT2.5	O形環	打刀環	J2600P01250	22
1	SCM4	打刀環	打刀環	3600147315	21
1	SKY-32	油封	打刀環	J04SHSKY032	20
1	12.5t X 4.0 W	螺絲環	打刀環	J04SHSWA000	19
1	MF60 OR YSF-60	螺絲螺帽	打刀環	A3300YSF600	18
2	MF18 OR YSF-18	螺絲螺帽	打刀環	A3300YSF180	17
1	SCM21	螺絲	打刀環	3600107140	16
Q'TY	SPECIFICATION	C-PARTS NAME	E-PARTS NAME	DRAWN NUMBER	ITEM

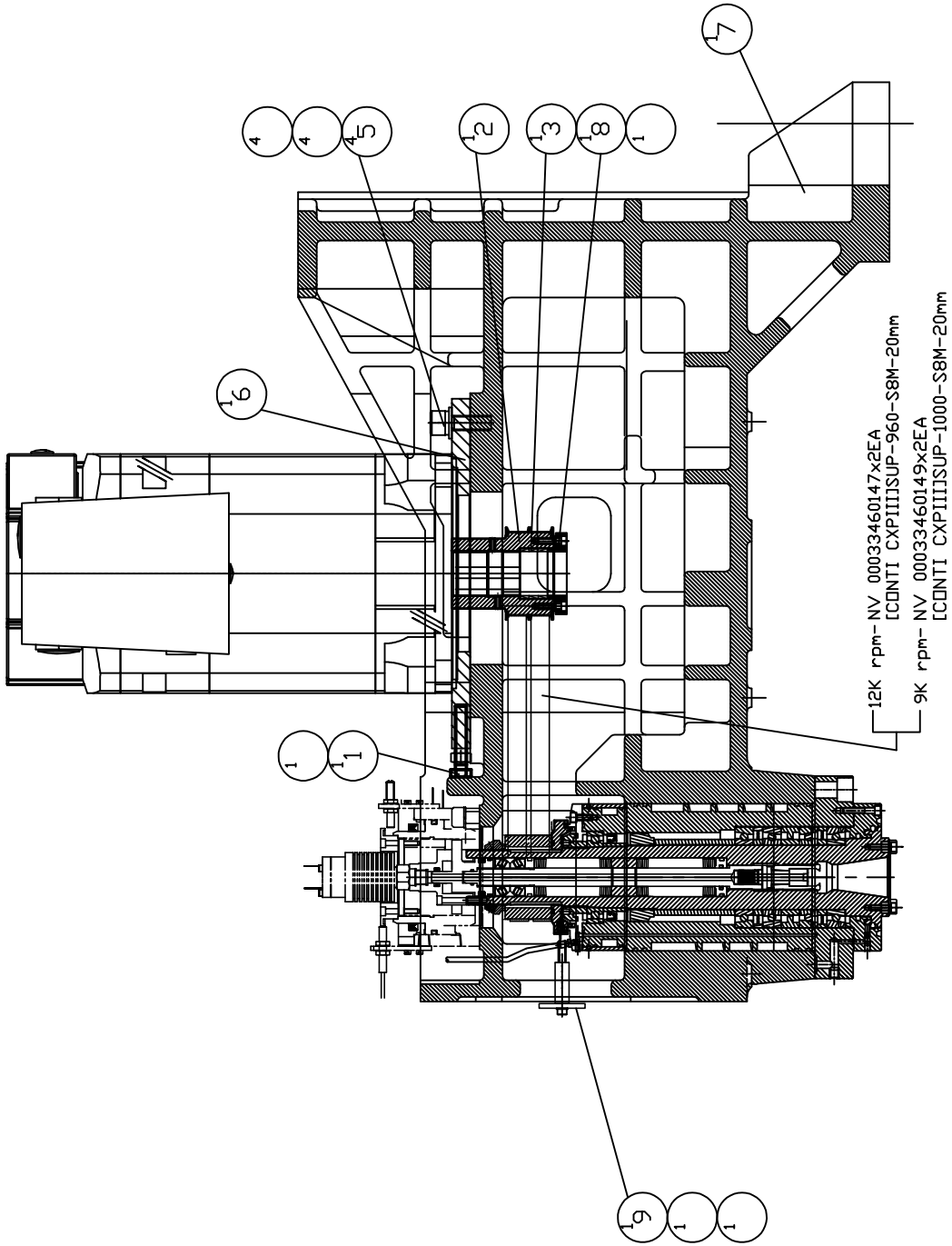
\*\*\*\*\*  
PRODUCT BOM MASTER AND SUB-ITEMS LIST  
\*\*\*\*\*Master Item Part NO.: SB4R0123623  
Description: SPINDLE ASS`Y  
主軸(XR610/760/1000)12K-RPM

Item	Part NO.	Description	中文名稱	Specification	Qty	Unit
1.00	3600105413	SPINDLE NOSE KEY-L	主軸左端鍵	SCM4(XR 1000)	1.00	EA
3.00	J2600P01200	O-RING	O型油環	P12	1.00	EA
4.00	C130BDIN040	COLLECT	夾頭/拉爪	DIN40(XR 1000)	1.00	EA
5.01	3600107010	DRAW BAR	拉桿	SNCM8(XR 1000)	1.00	EA
6.00	3600105111	SPACER	墊片	S45C(XR 1000)	1.00	EA
7.00	J2700Q02000	STAR-RING	星型環	QRAR4211-N7004(XR 1000)	1.00	EA
8.00	J2600P03600	O-RING	O型油環	P36	1.00	EA
9.00	E0006AS2542	WASHER, BEARING	軸承用墊圈	AS 2542(XR 1000)	1.00	EA
10.00	A22DS040022	DISK SPRING	盤型彈簧	40*20.4*2*3.1L(珠擊)	78.00	EA
11.00	3600108122	SPACER	盤型彈簧間隔片	SCM4(XR 1000)	1.00	EA
12.00	3600103862	BALANCE WHEEL	平衡輪	S45C(XR 1000)	1.00	EA
13.00	J2600G07000	O-RING	O型環	G70(XR 1000)	1.00	EA
14.00	3600103950	SPIN DLE PULLEY	主軸皮帶輪	S45C/染黑(XR 1000)	1.00	EA
15.00	3600103171	KEY	鍵	SCM4(XR 1000)	2.00	EA
16.00	3600107140	SPACER	隔環	SCM21/染黑(XR 1000)	1.00	EA
17.00	A3300YSF180	LOCKING NUT	精密鎖定螺帽	M18X1.0P(XR 1000)	2.00	EA
18.00	A3300YSF600	LOCKNUT	LOCKNUT	YSF 60*2P	1.00	EA
19.00	J04SHSWA000	TURCITE	耐磨環	2.5X4.3/GMP64(XR 1000)	1.00	EA
20.00	J04SHSKY032	SKY-PACKING	油封	SKY-32(XR 1000)	1.00	EA
21.00	3600147315	RING	打刀母環	SCM440(XR 1000)	1.00	EA

PRODUCT BOM MASTER AND SUB-ITEMS LIST  
\*\*\*\*\*

Item	Part NO.	Description	中文名稱	Specification	Qty	Unit
22.00	J2600P01250	O-RING	O型油環	P12.5	1.00	EA
24.01	3600147324	RING	打刀公環	SCM440(XR 1000)	1.00	EA
25.01	J04SHSKY12S	SKY-PACKING	油封	SKY-12.5(XR 1000)	1.00	EA
26.00	3600105403	SPINDLE NOSE KEY-R	主軸右端鍵	SCM4(XR 1000)	1.00	EA
27.02	XR 000015704A	SPINDLE	主軸(WEISS-BELT)	ASSM(WEISS:176902B)	1.00	ST

REV	DESCRIPTION	DATE	ECN
A	新付機	2013/8/1	
B	24360013871->XR 00031701A	2013/5/5	1003794
C	## 4 - 改C T □ 機手調	2013/9/17	1003966



SIEMENS 1PH8133  
 (Weiss 12K-Belt)or(GTW 9K/12K-Belt)  
 MODEL: GX 1300#40/1600#40

PART NUMBER	SHERRY	SCALE	REV.
GX 000000213D	1/8	1:1	C
SPINDLE TRANSMISSION<12K>		PAGE 1 OF 1	
主軸傳動<9K/12K+SIEMENS>		REV. C	

PRODUCT BOM MASTER AND SUB-ITEMS LIST  
\*\*\*\*\*

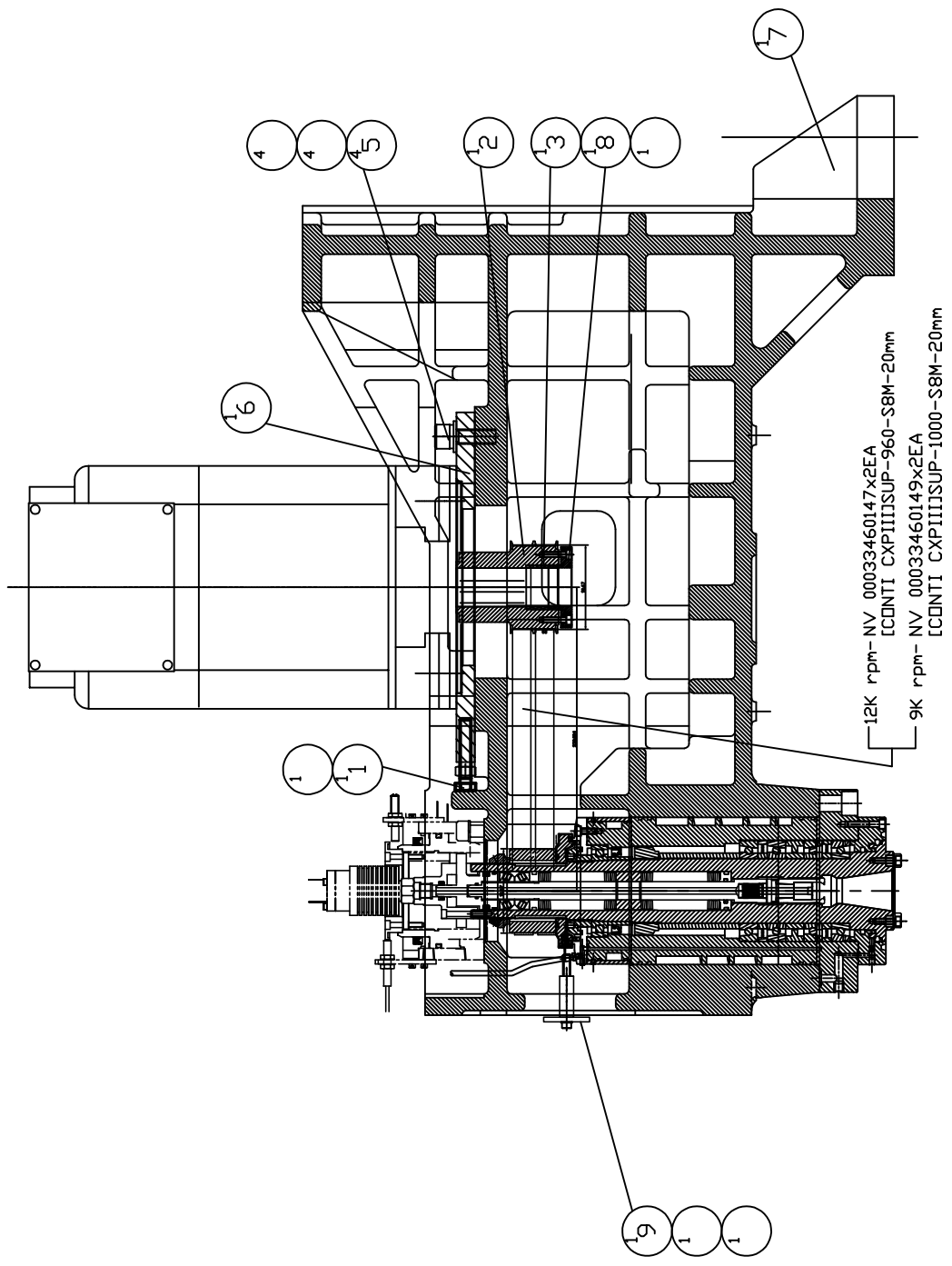
Master Item Part NO.: GX 000000213D

Description: SPINDLE TRANSMISSION(12K)

主軸傳動(BRIDGEPORT主軸+9K/12K+西門子)

Item	Part NO.	Description	中文名稱	Specification	Qty	Unit
1.00	MS 0154228	HEX HD. FULL THD	六角頭螺絲	M12XP1.75XL70, ST12.9	1.00	EA
2.01	XR 000317701A	MOTOR PULLEY,(9/12KSIEMENS )	馬達皮帶輪(9/12K,SIEMENS 1PH8133)	D90XD48XL111(36T)	1.00	EA
3.00	L10SCE48X55	EXPANSION RING	迫緊環	ψ48×ψ55(XR 1000)	1.00	EA
5.00	NV 000399055A	PLATE	墊塊(M16 WASHER)(K7)	DΦ32XDΦ16.5XT6(M16 WASHER)(K7)	4.00	EA
7.03	GX 000026402D	HEADSTOCK(WEISS)	主軸箱(WEISS)	L1004XW654XH653	1.00	EA
8.00	1500101150	MOTOR PULLEY RETAINER	主軸馬達皮帶輪迫緊環	S45C(XR 1000)	1.00	EA
9.00	1500101060	BRACKET	主軸定位開關固定座	S45C/染黑(XR 1000)	1.00	EA

REV	DESCRIPTION	DATE	ECN
A	新仕様	2010/12/1	12345
B	2# 360003321-XR 000317702A	2005/1/19	1009794
C	1# 4-1改C T O 海徳	2005/9/27	1009966



HEIDENHAIN GAN260L  
 (Weiss 12K-Belt)or(GTW 9K/12K-Belt)  
 MODEL: GX 1300#40/1600#40

REV	DATE	SCALE	REV
1	2010/12/1	1:1	C

PART NUMBER	PAGE
GX 000000212D	1 OF 1

SPINDLE TRANSMISSION(12K)  
 主轴传动 9K/12K + 海德汉

PRODUCT BOM MASTER AND SUB-ITEMS LIST  
\*\*\*\*\*

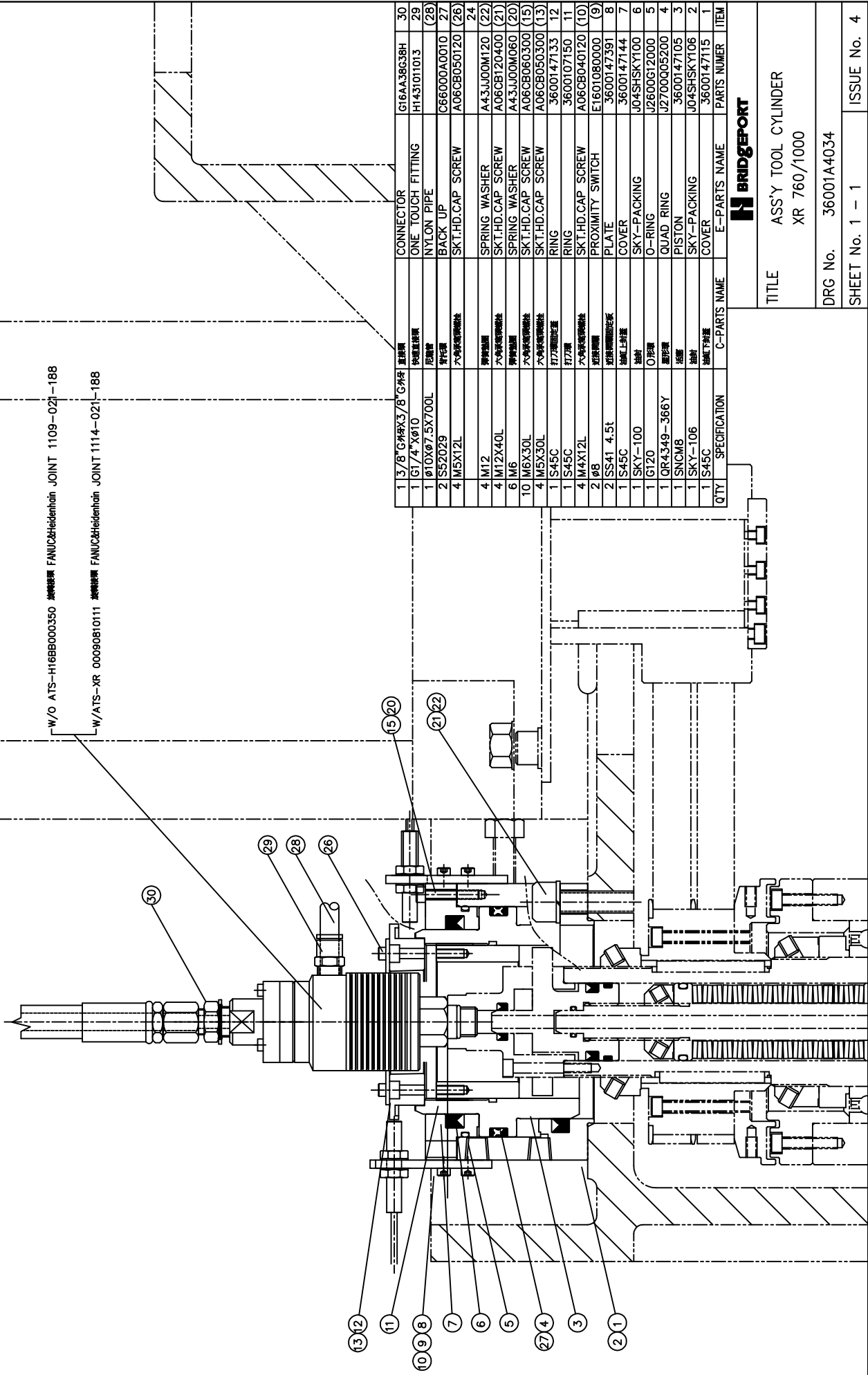
Master Item Part NO.: GX 000000212D

Description: SPINDLE TRANSMISSION(9K/12K)  
主軸傳動(9K/12K+海德漢)

Item	Part NO.	Description	中文名稱	Specification	Qty	Unit
1.00	MS 0154228	HEX HD. FULL THD	六角頭螺絲	M12XP1.75XL70, ST12.9	1.00	EA
2.01	XR 000317702A	MOTOR PULLEY,(9/12KSIEMENS )	馬達皮帶輪(9/12K,HEIDENHAIN QAN 260	D90XD42XL111(36T)	1.00	EA
3.00	L10SCE42X48	EXPANSION RING	迫緊環	42X48(XR 1000)	1.00	EA
5.00	NV 000399055A	PLATE	墊塊(M16 WASHER)(K7)	DΦ32XDΦ16.5XT6(M16 WASHER)(K7)	4.00	EA
6.00	NV 001066168D	MOTOR SEAT WITH COOLANT (SIEME	冷凍機用馬達座(SIEMENS)	L393XW274XH20	1.00	EA
7.03	GX 000026402D	HEADSTOCK(WEISS)	主軸箱(WEISS)	L1004XW654XH653	1.00	EA
8.00	1570108043	MOTOR PULLEY RETAINER	迫緊環擋片	S45C/染黑(XR 1000)	1.00	EA
9.00	1500101060	BRACKET	主軸定位開關固定座	S45C/染黑(XR 1000)	1.00	EA

W/O ATS-H16B000350 無油潤滑 FANUC&Heidenhain JOINT 1109-021-188

W/ATS-XR 00090810111 有油潤滑 FANUC&Heidenhain JOINT 1114-021-188



QTY	SPECIFICATION	C-PARTS NAME	E-PARTS NAME	PARTS NUMBER	ITEM
1	3/8" G外ネジ	直線螺絲	CONNECTOR	G16AA38G39H	30
1	G1/4" X Ø10	外線螺絲	ONE TOUCH FITTING	H143101013	29
1	Ø10 X Ø7.5 X 700L	尼龍管	NYLON PIPE	C66000A0010	(28)
2	SS2029	背付環	BACK UP	A06CB050120	27
4	M5 X 12L	六角車用螺絲	SKT.HD.CAP SCREW	3600147133	26
4	M12	彈簧墊圈	SPRING WASHER	A43JU00M120	24
4	M12 X 40L	六角車用螺絲	SKT.HD.CAP SCREW	A06CB120400	(21)
6	M6	彈簧墊圈	SPRING WASHER	A43JU00M060	(20)
10	M6 X 30L	六角車用螺絲	SKT.HD.CAP SCREW	A06CB060300	(15)
4	M5 X 30L	六角車用螺絲	SKT.HD.CAP SCREW	A06CB050300	(13)
1	S45C	打刀環形固定蓋	RING	3600147133	12
1	S45C	打刀環	RING	3600107150	11
4	M4 X 12L	六角車用螺絲	SKT.HD.CAP SCREW	A06CB040120	(10)
2	Ø8	近接開關	PROXIMITY SWITCH	E160T080000	(9)
2	SS41 4.5t	近接開關固定板	PLATE	3600147391	8
1	S45C	油環上封蓋	COVER	3600147144	7
1	SKY-100	O形環	SKY-PACKING	J04SHSKY100	6
1	G1/2"	O形環	O-RING	J2600G12000	5
1	QR4349-366Y	圓形環	QUAD RING	J2700Q05200	4
1	SNCM8	活塞	PISTON	3600147105	3
1	SKY-106	油封	SKY-PACKING	J04SHSKY106	2
1	S45C	油封下封蓋	COVER	3600147115	1

**BRIDGEPORT**

TITLE ASS'Y TOOL CYLINDER  
XR 760/1000

DRG No. 36001A4034

SHEET No. 1 - 1 ISSUE No. 4



\*\*\*\*\*  
PRODUCT BOM MASTER AND SUB-ITEMS LIST  
\*\*\*\*\*

Master Item Part NO.: 36001A4034

Description: CYLINDER TOOL ASS'Y  
打刀缸組合圖(皮帶式9K/12K)

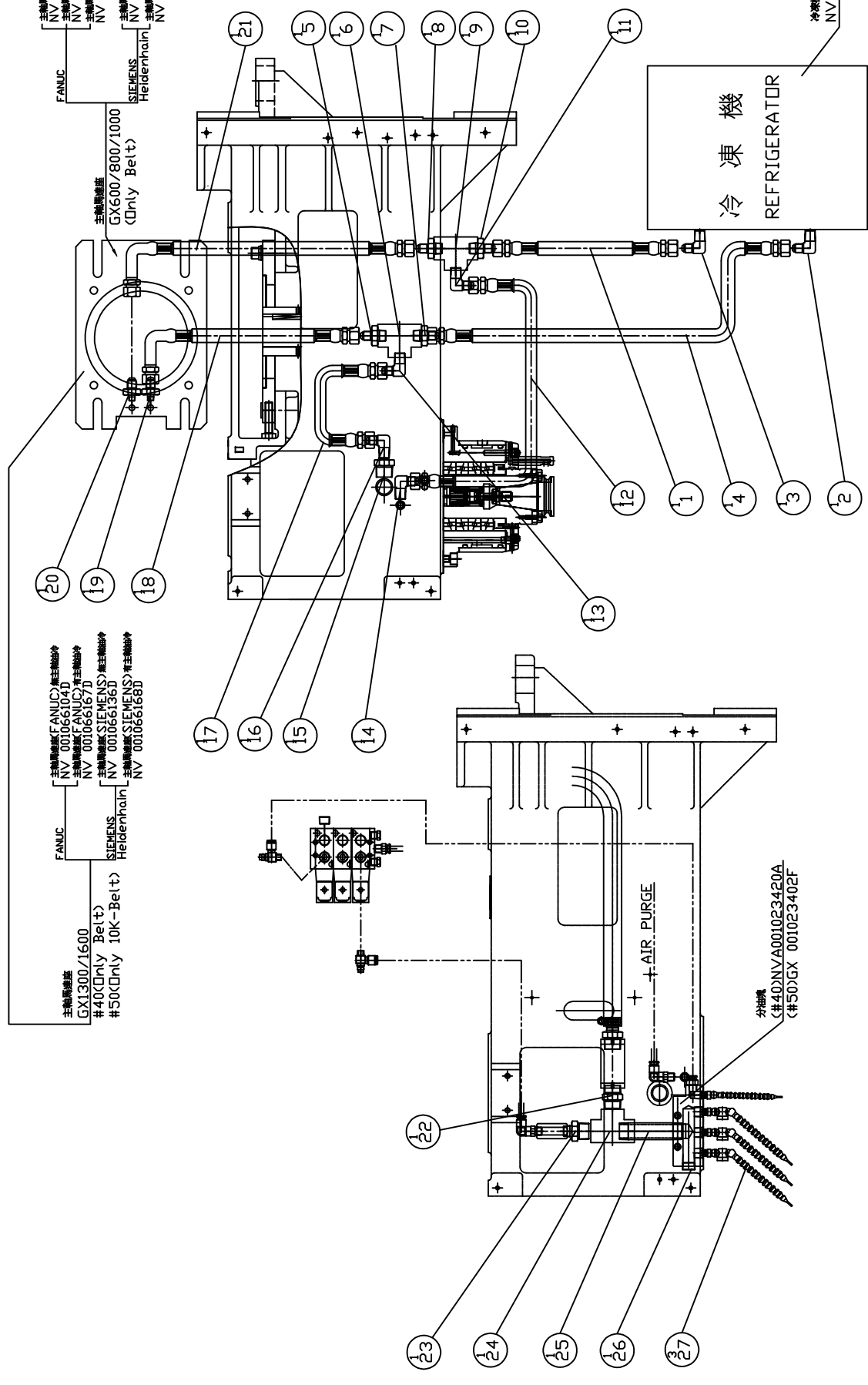
Item	Part NO.	Description	中文名稱	Specification	Qty	Unit
1.00	3600147115	COVER	油缸下封蓋	S45C/染黑(XR 1000)	1.00	EA
2.00	J04SHSKY106	SKY-PACKING	油封	SKY-106(XR 1000)	1.00	EA
3.00	3600147105	PISTON	活塞	SCM4(XR 1000)	1.00	EA
4.00	J2700Q05200	STAR-RING	星型環	QRAR04349-N7004(XR 1000)	1.00	EA
5.00	J2600G12000	O-RING	O型油環	G120(XR 1000)	1.00	EA
6.00	J04SHSKY100	SKY-PACKING	油封	SKY-100(XR 1000)	1.00	EA
7.00	3600147144	COVER	油缸上封蓋	S45C/染黑(XR 1000)	1.00	EA
8.00	3600147391	PLATE	近接開關固定板	SS41 4.5T/染黑(XR 1000)	2.00	EA
11.01	3600107150	RING	打刀環	S45C/染黑(XR 1000)	1.00	EA
12.00	3600147133	RING	打刀環固定蓋	S45C(XR 1000)	1.00	EA
27.00	C66000A0010	RING,BACK UP	背托環	S52029-349(XR 1000)	2.00	EA
29.00	H1431011013	ONE TOUCH FITTING	快速直接頭	G1/4" x $\Phi$ 10(XR 1000)	1.00	EA
30.00	G16AA38G38H	CONNECTOR	外牙直接頭(附銅止漏墊圈)	3/8"GX3/8"PS(3/8PFX9/16-18UNF)	1.00	EA

REV	DESCRIPTION	DATE	ECN
A	新機, 成裝管路標準圖B □M	2012/08/20	1003106
B	增加GX1300/1600#40, #50標準機	2013/2/5	1003227

- FANUC
- 主軸油壓機 (FANUC) 無主軸油冷  
NV 001066104A
  - 主軸油壓機 (FANUC, a8) 有主軸油冷  
NV 001066167A
  - 主軸油壓機 (FANUC, a12) 有主軸油冷  
NV 001066221A
- SIEMENS  
Heidenhain
- 主軸油壓機 (SIEMENS) 無主軸油冷  
NV 001066136A
  - 主軸油壓機 (SIEMENS) 有主軸油冷  
NV 001066168A

主軸油壓機  
GX600/800/1000  
(Only Belt)

- FANUC
- 主軸油壓機 (FANUC) 無主軸油冷  
NV 001066104D
  - 主軸油壓機 (FANUC) 有主軸油冷  
NV 001066167J
- SIEMENS  
Heidenhain
- 主軸油壓機 (SIEMENS) 無主軸油冷  
NV 001066136D
  - 主軸油壓機 (SIEMENS) 有主軸油冷  
NV 001066168D
- 主軸油壓機  
GX1300/1600  
#40(Only Belt)  
#50(Only 10K-Bett)



冷凍機  
REFRIGERATOR  
冷凍機CHILLER  
NVA00034120105

分油機  
#40 NV A001023420A  
#50 GX 001023402F

母機料號 NV 000331074AX, GX 000331063DX, GX 000331068FX

MODEL: GX 600/800/1000, GX1300/1600#40, #50
PART NUMBER CHILLER FOR SPINDLE NVB000331015A
PAGE 1 OF 1
DATE 2012/8/30
SCALE 1:10
REV. B

# PRODUCT BOM MASTER AND SUB-ITEMS LIST

\*\*\*\*\*

Master Item Part NO.: NVB000331015A

Description: CHILLER FOR SPINDLE

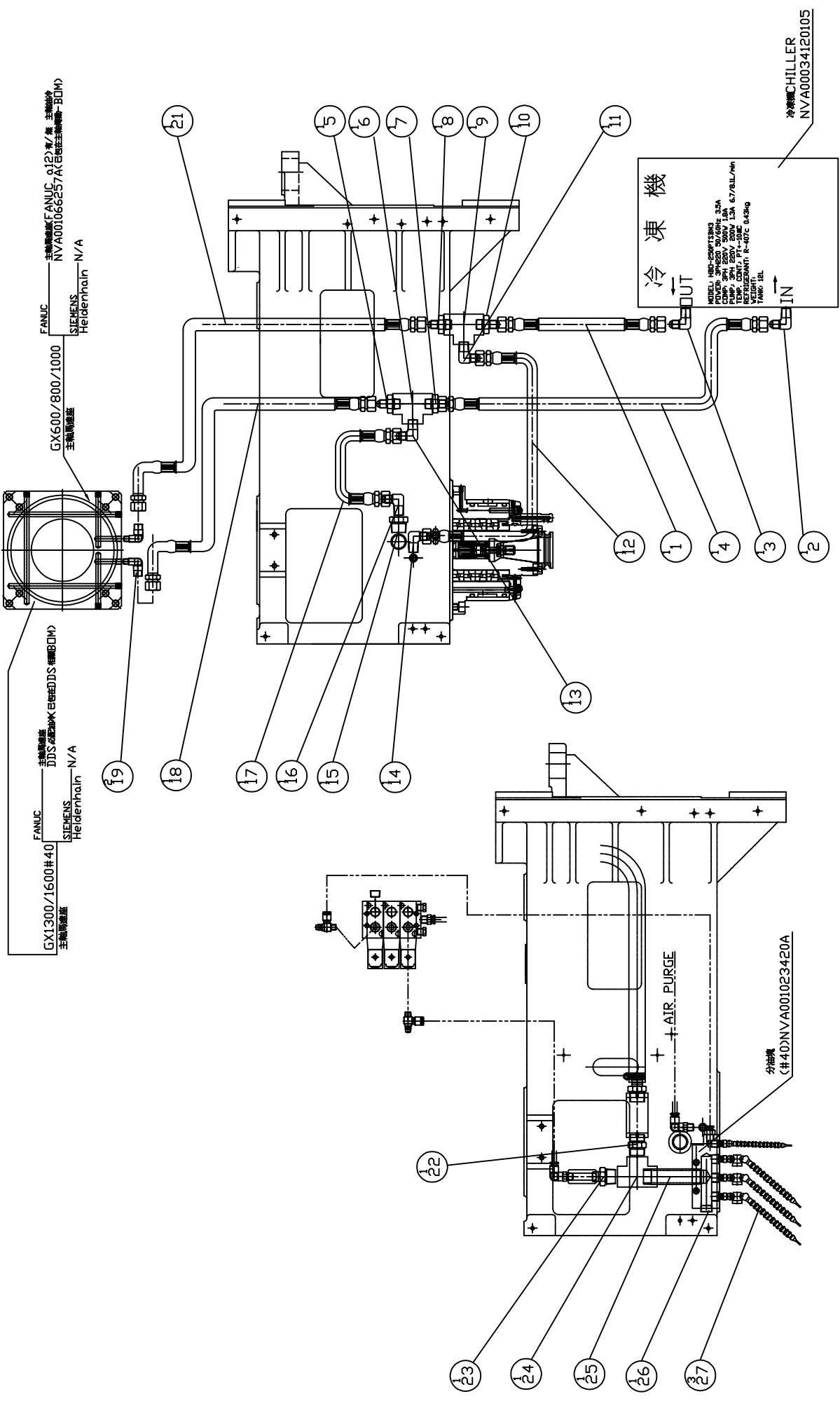
主軸油冷裝置BELT-成套管路接頭

Item Part NO.	Description	中文名稱	Specification	Qty	Unit
1.00 NV 00069650263	HOSE, FLEXIBLE HYDRAULIC	耐油橡膠管(耐壓15KG/C㎡包綿紗)	Φ 1/2"XW3/4"-16UNFX6M	1.00	EA
2.00 NV 00077031528	ELBOW, 90 DEG MALE	90度肘管接頭	PT1/2"(MALE)X3/4"-16UNF(MALE)	1.00	EA
3.00 NV 00077031528	ELBOW, 90 DEG MALE	90度肘管接頭	PT1/2"(MALE)X3/4"-16UNF(MALE)	1.00	EA
4.00 NV 00069650263	HOSE, FLEXIBLE HYDRAULIC	耐油橡膠管(耐壓15KG/C㎡包綿紗)	Φ 1/2"XW3/4"-16UNFX6M	1.00	EA
5.00 NV 00077030231	NIPPLE, STRAIGHT	直接頭	PT1/2XW7/16-20UNF	1.00	EA
6.00 NV 00077030406	TEE UNION	內螺紋三通	PT1/2"	1.00	EA
7.00 NV 00077030232	NIPPLE, STRAIGHT	直接頭	PT1/2X3/4-16UNF	1.00	EA
8.00 NV 00077030231	NIPPLE, STRAIGHT	直接頭	PT1/2XW7/16-20UNF	1.00	EA
9.00 NV 00077030406	TEE UNION	內螺紋三通	PT1/2"	1.00	EA
10.00 NV 00077030232	NIPPLE, STRAIGHT	直接頭	PT1/2X3/4-16UNF	1.00	EA
11.00 NV 00077031529	ELBOW, 90 DEG MALE	90度肘管接頭	PT1/2"(MALE)XW7/16"-20UNF(MALE)	1.00	EA
12.00 NV 00069650264	HOSE, FLEXIBLE HYDRAULIC	耐油橡膠管(耐壓15KG/C㎡包綿紗)	Φ 1/4"XW7/16"-20UNFX0.4M	1.00	EA
13.00 NV 00077031529	ELBOW, 90 DEG MALE	90度肘管接頭	PT1/2"(MALE)XW7/16"-20UNF(MALE)	1.00	EA
14.00 NV 00077031510	ELBOW, 90 DEG MALE	90度肘管接頭	PT1/4"MALEXW7/16"-20UNF MALE	1.00	EA
15.00 NV 00077031218	BUSHING	卜申接頭	PT3/4"XPT1/2"	1.00	EA
16.00 NV 00077031529	ELBOW, 90 DEG MALE	90度肘管接頭	PT1/2"(MALE)XW7/16"-20UNF(MALE)	1.00	EA
17.00 NV 00069650264	HOSE, FLEXIBLE HYDRAULIC	耐油橡膠管(耐壓15KG/C㎡包綿紗)	Φ 1/4"XW7/16"-20UNFX0.4M	1.00	EA
18.00 NV 00069650265	HOSE, FLEXIBLE HYDRAULIC	耐油橡膠管(耐壓15KG/C㎡包綿紗)(一直一90度)	Φ 1/4"XW7/16"-20UNFX0.7M	1.00	EA
19.00 NV 00077030233	NIPPLE, STRAIGHT	直接頭	PT1/8XW7/16-20UNF	1.00	EA
20.00 NV 00077030233	NIPPLE, STRAIGHT	直接頭	PT1/8XW7/16-20UNF	1.00	EA

\*\*\*\*\*  
PRODUCT BOM MASTER AND SUB-ITEMS LIST  
\*\*\*\*\*

Item	Part NO.	Description	中文名稱	Specification	Qty	Unit
21.00	NV 00069650265	HOSE, FLEXIBLE HYDRAULIC	耐油橡膠管(耐壓15KG/C㎡包綿紗)(一直一90度)φ1/4"XW7/16"-20UNFX0.7M		1.00	EA
22.00	NV 00077030207	CONNECTOR, STRAIGHT	直接頭	PT3/4"XPT3/4"	1.00	EA
23.00	NV 00077030224	CONNECTOR, STRAIGHT	直接頭	PT3/4"XPT3/8"	1.00	EA
24.00	NV 00077030405	TEE UNION	內螺紋三通	PT3/4"	1.00	EA
25.00	NV 001042137A	CONNECTOR, STRAIGHT	直接頭	PT3/4"XPT3/4"X100L	1.00	EA
26.00	NV 00077031704	PLUG, SOCKET HEX.	塞頭	PT1/2	1.00	EA
27.00	NV 00070110109	NOZZLE, COOLANT	冷卻水噴嘴(圓嘴附開關)	PT3/8"X13PXφ9.5	3.00	ST

REV	DESCRIPTION	DATE	ECN
A	新增, 成裝管路接頭BOM	2012/08/20	1003106
B	增加GX1300/1600#40	2012/05/10	1003827



母機料號 NV 000331073AX.GX 000331065DX

MODEL: DDS GX 600/800/1000,GX1300/1600#40
PART NUMBER NVA000331048A
CHILLER FOR SPINDLE
主軸由冷裝置DDS-成裝管路接頭
PAGE 1 OF 1
DATE 2012/8/30
SCALE 1:10
REV. B

# PRODUCT BOM MASTER AND SUB-ITEMS LIST

\*\*\*\*\*

Master Item Part NO.: NVA000331048A

Description: CHILLER FOR SPINDLE

主軸油冷裝置DDS-成套管路接頭

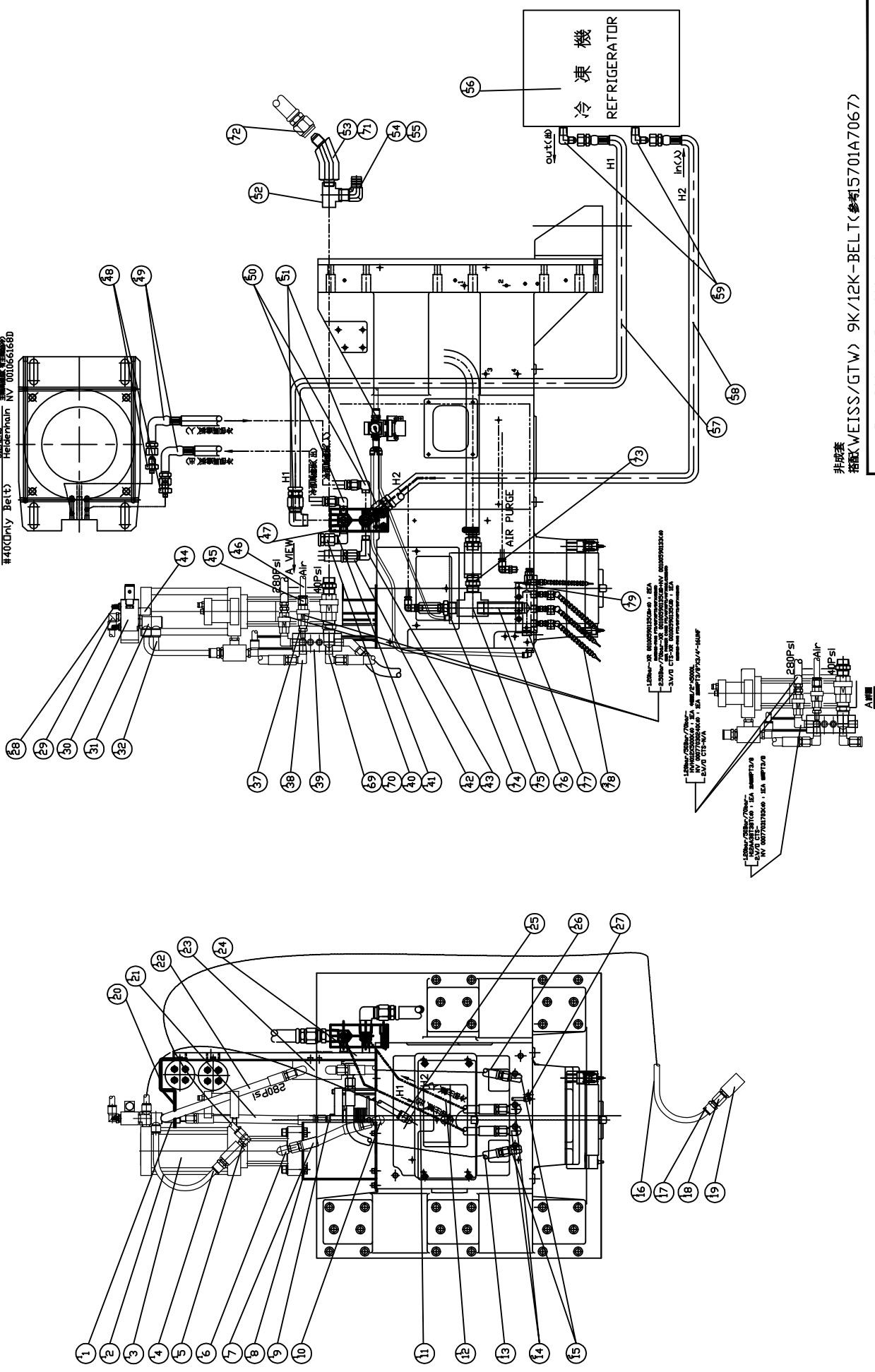
Item Part NO.	Description	中文名稱	Specification	Qty	Unit
1.00	NV 00069650263	HOSE, FLEXIBLE HYDRAULIC	耐油橡膠管(耐壓15KG/C㎡包綿紗)	1.00	EA
2.00	NV 00077031528	ELBOW, 90 DEG MALE	90度肘管接頭	1.00	EA
3.00	NV 00077031528	ELBOW, 90 DEG MALE	90度肘管接頭	1.00	EA
4.00	NV 00069650263	HOSE, FLEXIBLE HYDRAULIC	耐油橡膠管(耐壓15KG/C㎡包綿紗)	1.00	EA
5.00	NV 00077030231	NIPPLE, STRAIGHT	直接頭	1.00	EA
6.00	NV 00077030406	TEE UNION	內螺紋三通	1.00	EA
7.00	NV 00077030232	NIPPLE, STRAIGHT	直接頭	1.00	EA
8.00	NV 00077030231	NIPPLE, STRAIGHT	直接頭	1.00	EA
9.00	NV 00077030406	TEE UNION	內螺紋三通	1.00	EA
10.00	NV 00077030232	NIPPLE, STRAIGHT	直接頭	1.00	EA
11.00	NV 00077031529	ELBOW, 90 DEG MALE	90度肘管接頭	1.00	EA
12.00	NV 00069650264	HOSE, FLEXIBLE HYDRAULIC	耐油橡膠管(耐壓15KG/C㎡包綿紗)	1.00	EA
13.00	NV 00077031529	ELBOW, 90 DEG MALE	90度肘管接頭	1.00	EA
14.00	NV 00077031510	ELBOW, 90 DEG MALE	90度肘管接頭	1.00	EA
15.00	NV 00077031218	BUSHING	卜申接頭	1.00	EA
16.00	NV 00077031529	ELBOW, 90 DEG MALE	90度肘管接頭	1.00	EA
17.00	NV 00069650264	HOSE, FLEXIBLE HYDRAULIC	耐油橡膠管(耐壓15KG/C㎡包綿紗)	1.00	EA
18.00	NV 00069650265	HOSE, FLEXIBLE HYDRAULIC	耐油橡膠管(耐壓15KG/C㎡包綿紗)(一直一90度)	1.00	EA
19.00	NV 00077030538	90DEG NIPPLE	90度肘管接頭	2.00	EA
21.00	NV 00069650265	HOSE, FLEXIBLE HYDRAULIC	耐油橡膠管(耐壓15KG/C㎡包綿紗)(一直一90度)	1.00	EA

PRODUCT BOM MASTER AND SUB-ITEMS LIST  
\*\*\*\*\*

Item	Part NO.	Description	中文名稱	Specification	Qty	Unit
22.00	NV 00077030207	CONNECTOR, STRAIGHT	直接頭	PT3/4"XPT3/4"	1.00	EA
23.00	NV 00077030224	CONNECTOR, STRAIGHT	直接頭	PT3/4"XPT3/8"	1.00	EA
24.00	NV 00077030405	TEE UNION	內螺紋三通	PT3/4"	1.00	EA
25.00	NV 001042137A	CONNECTOR, STRAIGHT	直接頭	PT3/4"XPT3/4"X100L	1.00	EA
26.00	NV 00077031704	PLUG, SOCKET HEX.	塞頭	PT1/2	1.00	EA
27.00	NV 00070110109	NOZZLE, COOLANT	冷卻水噴嘴(圓嘴附開關)	PT3/8"X13PXΦ9.5	3.00	ST

REV	DESCRIPTION	DATE	ECN
A	新機種・新仕様主軸冷却装置水	2016/5/24	1004103

主軸冷却装置  
GX1300/1600  
#40(Only Belt)  
SIEMENS Heidenhain RV 001066168D



非成案  
搭載「WEISS/GTW」9K/12K-BELT(参考「5701A7067」)

MODEL: GX 1300#40/GX 1600#40
PART NAME COOLANT SPINDLE(WEISS/GTW) 9K/12K-BELT 主軸冷却装置(WEISS/GTW) 9K/12K-BELT
PART NUMBER GXA000331049D
PAGE 1 OF 1
DATE 2016/5/24
SCALE 1:14
REV. A



\*\*\*\*\*  
**PRODUCT BOM MASTER AND SUB-ITEMS LIST**  
 \*\*\*\*\*

Master Item Part NO.: GXA000331049D

 Description: COOLANT SPINDLE(WEISS/GTW)  
 主軸油冷裝置(WEISS/GTW)

Item	Part NO.	Description	中文名稱	Specification	Qty	Unit
1.00	H36UP38F38F	CONNECTOR	夾壁式接頭	3/8"PS(XR 1000)	1.00	EA
3.00	WA100X12792	BOOSTER CYLINDER	增壓缸	W-1000-12.7B-80CC(XR 1000)	1.00	EA
4.00	506-3001-050	ONE TOUCH FITTING	快速接頭	KQ2H12-03S(3/8"PT × Φ12)(XR 1000)	1.00	EA
5.00	506-3009-050	ONE TOUCH FITTING	快速直角接頭	KQ2L12-03S(3/8"PT × Φ12)(XR 1000)	1.00	EA
6.00	H12AL38T38S	HOSE ELBOW A.	直角接頭	3/8"PT × 3/8"PS加長(XR 1000)	1.00	EA
7.00	HWH038X0305	PIPE	中壓管R1	3/8"X305L	1.00	EA
8.00	1500101272	BRACKET	增壓缸固定架	SS41 3T/染黑(XR 1000)	1.00	EA
9.00	G16AA38G38H	CONNECTOR	外牙直接頭(附銅止漏墊圈)	3/8"GX3/8"PS(3/8PFX9/16-18UNF)	1.00	EA
10.00	H12AL38T38S	HOSE ELBOW A.	直角接頭	3/8"PT × 3/8"PS加長(XR 1000)	1.00	EA
11.00	HWH012X0880	PIPE	中壓管R1	1/2" × 880L(XR 1000)	1.00	EA
12.00	HWH012X0850	LOW PRESURE PIPE	低壓管(TA1)	1/2" × 850L(XR 1000)	1.00	EA
13.00	HLW038X0550	LOW PRESURE PIPE	低壓管	3/8"PS × 550L(XR 1000)	1.00	EA
14.00	H12LA38T12S	ELBOW ADAPTER	直角接頭	3/8"PT × 1/2"PS(XR 1000)	2.00	EA
15.00	H12AA38T38T	ELBOW ADAPTER	直接頭	3/8"PT(XR 1000)	2.00	EA
17.00	506-3001-050	ONE TOUCH FITTING	快速接頭	KQ2H12-03S(3/8"PT × Φ12)(XR 1000)	1.00	EA
18.00	NV 00077030602	UNION	直雙內牙接頭	PT3/8XPT3/8	1.00	EA
19.00	G51SV000700	SILENCER	消音器(2121050003)	3/8"PT(AN302-03)	1.00	EA
20.00	1570108131	BRACKET	旋轉接頭支架	SS41 3T/染黑(XR 1000)	1.00	EA
21.00	HWH038X0290	PIPE	中壓管R1	3/8" × 290L(XR 1000)	1.00	EA

\*\*\*\*\*  
**PRODUCT BOM MASTER AND SUB-ITEMS LIST**  
 \*\*\*\*\*

Item	Part NO.	Description	中文名稱	Specification	Qty	Unit
22.00	HWH038X0400	PIPE	中壓管R1	3/8"X400L XR(1000)	1.00	EA
23.00	1500101072	BLOCK,AIR/WATER	水氣塊	S45C/染黑(XR 1000)	1.00	EA
24.00	1500101471	BRACKET	潤滑油罐固定架	SS41 3T/染黑(XR 1000)	1.00	EA
25.00	506-3009-050	ONE TOUCH FITTING	快速直角接頭	KQ2L12-03S(3/8"PT × Φ12)XR 1000	1.00	EA
26.00	HLW038X0450	LOW PRESURE PIPE	低壓管TA1	3/8" × 450L(XR 1000)	1.00	EA
27.00	H12LA000320	ONE TOUCH FITTING	直角快速接頭	KQ2L06-02S	1.00	EA
28.00	G51SV000500	SILENCER	消音器	GTS-03 3/8"PT(XR 1000)	2.00	EA
29.00	506-3009-050	ONE TOUCH FITTING	快速直角接頭	KQ2L12-03S(3/8"PT × Φ12)XR 1000	1.00	EA
30.00	G16FA000360	AIR SOLENOIL V.	電磁閥	VF5120-5D-03-DC24V(XR 1000)	1.00	EA
31.00	Q89KQVDX30	ONE TOUCH FITTING	快速接頭	KQ2VD12-03S(XR 1000)	1.00	EA
37.00	XR 00077030744	NIPPLE, STRAIGHT	直接頭	PT1/8XPT3/8	1.00	EA
38.00	H12LA38T38S	HOSE ELBOW ADAPTER	直角接頭	3/8"PTX3/8"PS(XR 1000)	1.00	EA
39.00	XR 001023404A	BLOCK	主軸水氣塊	L110XW40XH40	1.00	EA
40.00	HWH012X0880	PIPE	中壓管R1	1/2" × 880L(XR 1000)	1.00	EA
41.00	H12LA38T12S	ELBOW ADAPTER	直角接頭	3/8"PT × 1/2"PS(XR 1000)	1.00	EA
42.00	HWH012X0850	LOW PRESURE PIPE	低壓管(TA1)	1/2" × 850L(XR 1000)	1.00	EA
43.00	H12LL38T12S	CONNECTOR	加長型直角接頭	3/8"PT × 1/2"PS(XR 1000)	1.00	EA
44.00	H12AA38T38T	ELBOW ADAPTER	直接頭	3/8"PT(XR 1000)	1.00	EA
45.00	H12KQH00140	ONE TOUCH FITTING	快速接頭	KQ2H10-03S(3/8"PT × Φ10)XR 1000	1.00	EA
46.00	H12NP104000	NYLON PIPE	尼龍管(黑)	Φ10X4000L(XR 1000)	1.00	EA
47.00	1500101194	BLOCK	冷卻機分油塊	S45C/染黑(XR 1000)	1.00	EA
48.00	NV 00077030537	NIPPLE, STRAIGHT	直接頭	PT1/8"X9/16"-18UNF(MALE)	2.00	EA

\*\*\*\*\*  
**PRODUCT BOM MASTER AND SUB-ITEMS LIST**  
 \*\*\*\*\*

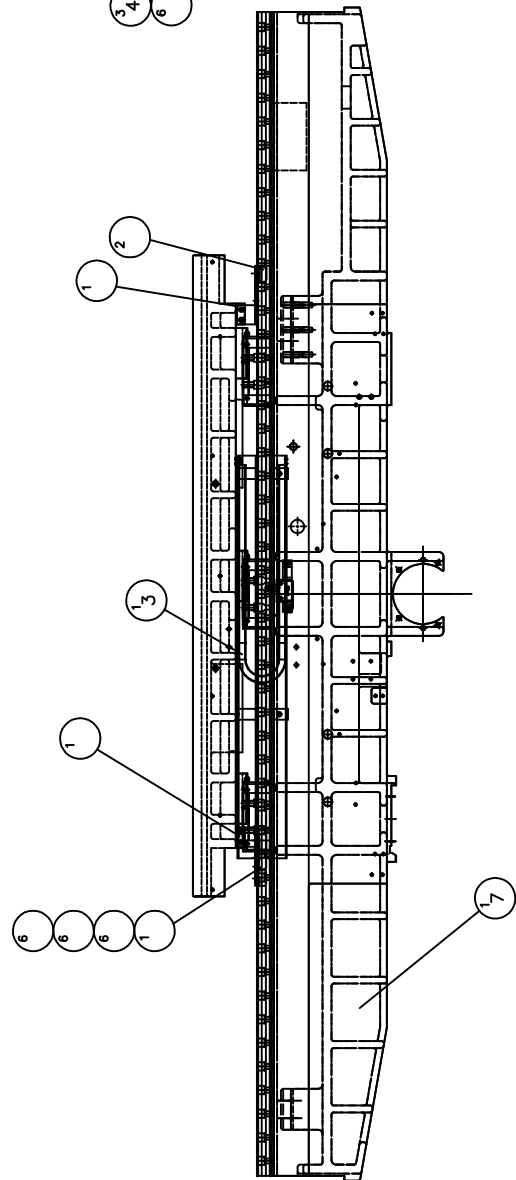
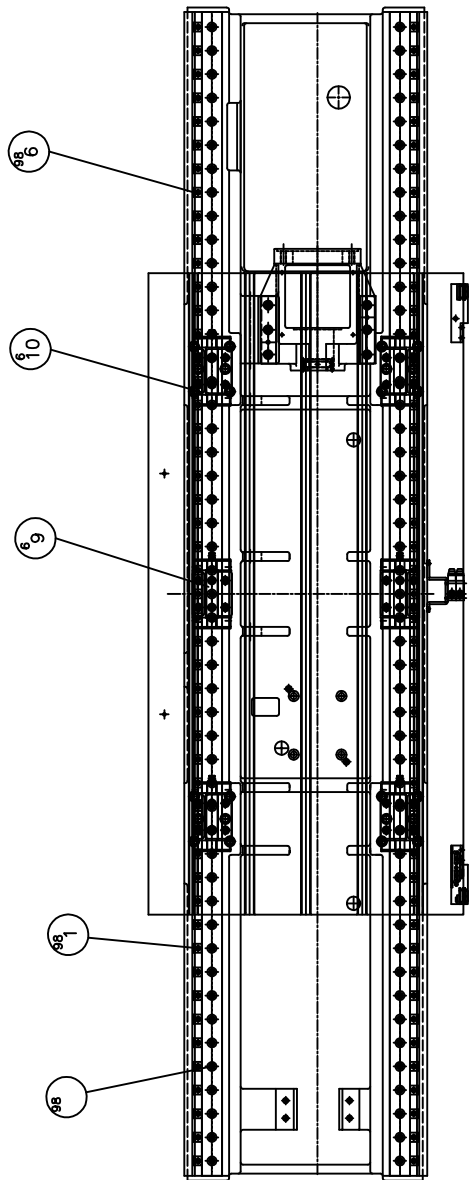
Item	Part NO.	Description	中文名稱	Specification	Qty	Unit
49.00	NV 00069650292	HOSE, FLEXIBLE HYDRAULIC	耐油橡膠管(耐壓15KG包綿紗)	Φ 3/8"XW9/16"-18UNFX0.55M	2.00	EA
50.00	H12LA38T38S	HOSE ELBOW ADAPTER	直角接頭	3/8"PTX3/8"PS(XR 1000)	1.00	EA
51.00	H24AA34T34F	HOSE ELBOW A.	直角接頭	3/4"PT × 11/16"-12UNF(XR 1000)	1.00	EA
52.00	NV 00077030405	TEE UNION	內螺紋三通	PT3/4"	1.00	EA
53.00	XR 00100590136	CHECK VALVE	逆止閥(E00001 3/4)	PT3/4"(PN40-VITON)	1.00	ST
54.00	NV 00077030504	CONNECTOR	插心直接頭	PT3/4"XΦ 3/4"	1.00	EA
55.00	NV 00069660304	CLAMP, HOSE (20KG/CM^2)	不銹鋼管夾(20KG/CM^2)	11/4"(20-32MM)	1.00	EA
56.00	NVA00034120105	CHILLER	冷凍機	HBO-250PTSBM3-R407C	1.00	ST
57.00	NV 00069650312	HOSE, FLEXIBLE HYDRAULIC	耐油橡膠管	R1-1 1/16"-12UNFX7M	1.00	EA
58.00	NV 00069650312	HOSE, FLEXIBLE HYDRAULIC	耐油橡膠管	R1-1 1/16"-12UNFX7M	1.00	EA
59.00	NV 00077031557	ELBOW, 90 DEG MALE	90度肘管接頭	PT1/2"MALEX1-1/16"-12UNF	2.00	EA
69.00	H12AA38T38T	ELBOW ADAPTER	直接頭	3/8"PT(XR 1000)	1.00	EA
70.00	NV 00077031519	ELBOW,45 DEG MALE	45度肘管接頭	PT3/8"MALEX9/16"-18UNF MALE	1.00	EA
71.00	NV 00077031021	NIPPLE, 45DEGREE	45度接頭	PT3/4X1-1/16-12UNF(45DEGREE)	1.00	EA
72.00	HLW034X5700	PIPE	低壓管(TA1)	3/4"XW1-1/16"-12UNFX5700L	1.00	EA
73.00	NV 00077030207	CONNECTOR, STRAIGHT	直接頭	PT3/4"XPT3/4"	1.00	EA
74.00	NV 00077030224	CONNECTOR, STRAIGHT	直接頭	PT3/4"XPT3/8"	1.00	EA
75.00	NV 00077030405	TEE UNION	內螺紋三通	PT3/4"	1.00	EA
76.00	NV 001042137A	CONNECTOR, STRAIGHT	直接頭	PT3/4"XPT3/4"X100L	1.00	EA
77.00	NV 00077031704	PLUG, SOCKET HEX.	塞頭	PT1/2	1.00	EA
78.00	NV 00070110109	NOZZLE, COOLANT	冷卻水噴嘴(圓嘴附開關)	PT3/8"X13PXΦ9.5	3.00	ST
79.00	NVA001023420A	MANIFOLD, LUBRICATION	分油塊	L130XW48XH40	1.00	EA

# Chapter 2

XYZ 結構

XYZ Structure

REV	DESCRIPTION	DATE	ECN
A	機軸 X 軸 RA.35 機軸 RA.45	2008/5/1	982
B	安裝說明修正	2008/08/21	148



MODEL: GX 1300	
PART NAME	PART NUMBER
X-AXIS POSITIONING	GXA000004601D
X 軸定位	PAGE 1 OF 1
DATE 2008/5/1	REV. B
SCALE 1:22	

\*\*\*\*\*  
PRODUCT BOM MASTER AND SUB-ITEMS LIST  
\*\*\*\*\*

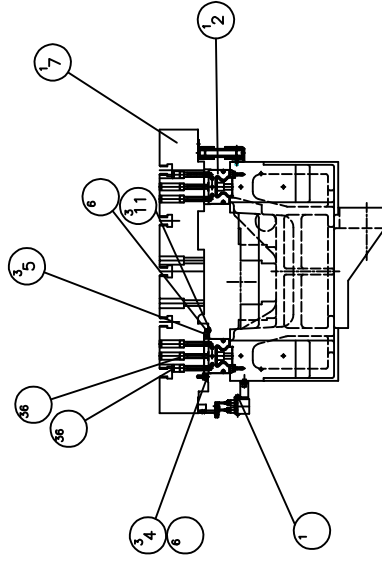
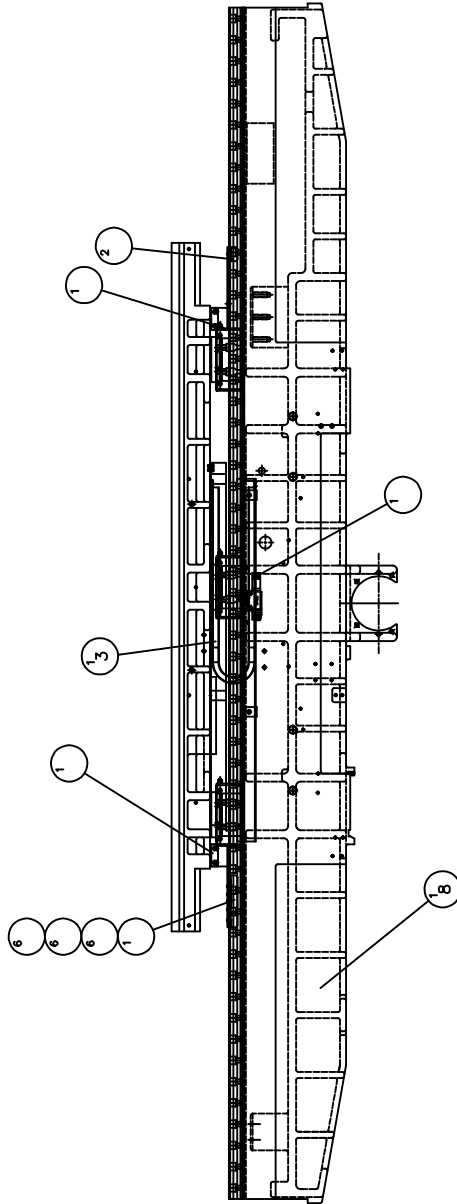
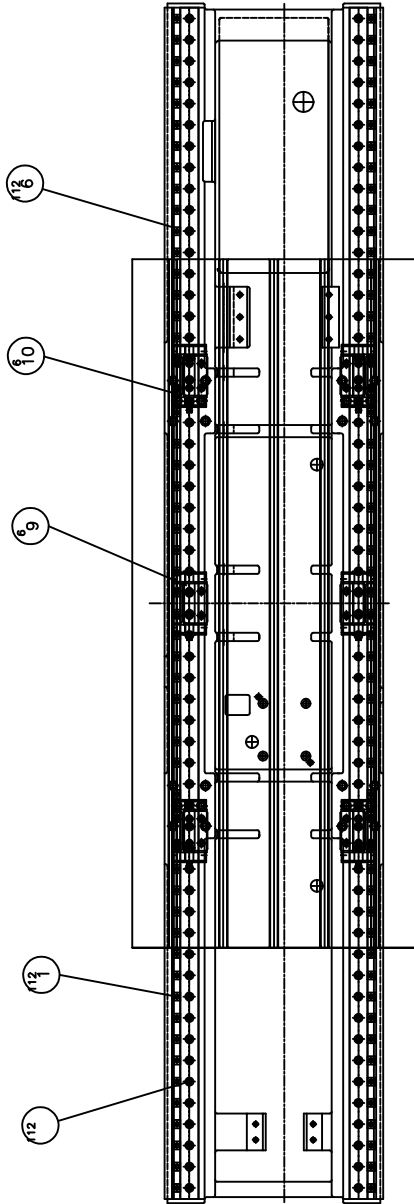
Master Item Part NO.: GXA000004601D

Description: X-AXIS POSITIONING

X軸定位

Item	Part NO.	Description	中文名稱	Specification	Qty	Unit
1.00	MS 0103617	SOCKET HEAD CAP SCREW	六角穴圓頭螺絲	M6XP1.0XL16	98.00	EA
2.00	GX 000831603D	LINEAR GUIDE, X AXIS	X軸線性滑軌	[NSK]RA452587ANC3B01P63	1.00	ST
3.00	GX 001162300D	UTILITY CARRIER, X-AXIS	X軸連動護管	坤溢CBC-00C-13X13-105-STROKE1300	1.00	EA
4.00	NV 001059001D	RETAINER, WEDGE	楔塊	L80XW18.5XH9.5	3.00	EA
5.00	NV 000648101D	GIB, GUIDE TRUCK	調整塊	L80XW10XH15	3.00	EA
6.00	NV 001059000D	RETAINER, WEDGE	楔塊	L20XW18.5XH9.5	98.00	EA
7.03	GX 000195401D	SADDLE	鞍座	L2607XW381.5XH540	1.00	EA
8.00	GX 000196401D	TABLE	工作台	L1425XW700XH118.7	1.00	EA
9.00	GX 001108357D	SHIM,X-AXIS TRUCK	X軸墊片	L98XW57.5XT0.20	6.00	EA
10.00	GX 001108371D	SHIM,X-AXIS TRUCK	X軸墊片	L98XW25.5XT0.20	6.00	EA
11.00	NV 000199038D	RETAINER, GIB SHIM	壓板	L80XW27XH2	3.00	EA

REV	DESCRIPTION	DATE	ECN
A	機軸 X軸RA35機軸RA45	2008/5/1	002



MODEL: GX 1600	PART NUMBER: GXA000004601E
PART NAME: X-AXIS POSITIONING	PAGE: 1 OF 1
X軸定位	REV: A
DATE: 2008/5/1	SCALE: 1:20

PRODUCT BOM MASTER AND SUB-ITEMS LIST  
\*\*\*\*\*

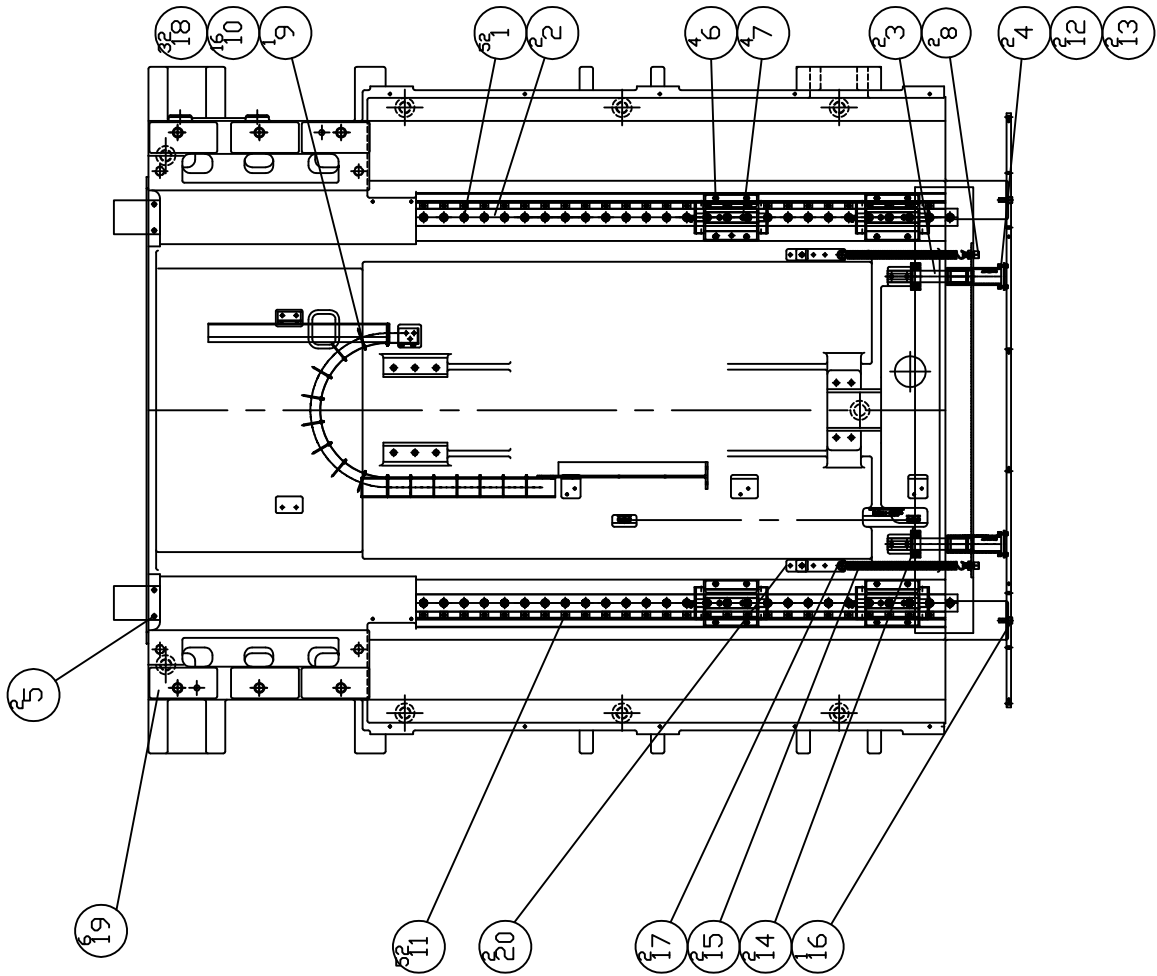
Master Item Part NO.: GXA000004601E

Description: X-AXIS POSITIONING  
X軸定位

Item	Part NO.	Description	中文名稱	Specification	Qty	Unit
1.00	MS 0103617	SOCKET HEAD CAP SCREW	六角穴圓頭螺絲	M6XP1.0XL16	112.00	EA
2.00	GX 000831603E	LINEAR GUIDE, X AXIS	X軸線性滑軌	[NSK]RA452942ANC3B01P63	1.00	ST
3.00	GX 001162300E	UTILITY CARRIER,X AXIS	X軸連動護管	坤溢CBC-00C-13X13-105-STROKE1600	1.00	ST
4.00	NV 001059001D	RETAINER, WEDGE	楔塊	L80XW18.5XH9.5	3.00	EA
5.00	NV 000648101D	GIB, GUIDE TRUCK	調整塊	L80XW10XH15	3.00	EA
6.00	NV 001059000D	RETAINER, WEDGE	楔塊	L20XW18.5XH9.5	146.00	EA
7.00	GX 000196401E	TABLE	工作台	L1700XW700XH119	1.00	EA
8.04	GX 000195401E	SADDLE	鞍座	L2962XW381.5XH540	1.00	EA
9.00	GX 001108357D	SHIM,X-AXIS TRUCK	X軸墊片	L98XW57.5XT0.20	6.00	EA
10.00	GX 001108371D	SHIM,X-AXIS TRUCK	X軸墊片	L98XW25.5XT0.20	6.00	EA
11.00	NV 000199038D	RETAINER, GIB SHIM	壓板	L80XW27XH2	3.00	EA



REV	DESCRIPTION	DATE	ECN
A	新仕様 GX 1300/1600 (GX1300/1600) 762	2006/7/31	
B	1300/1600 (GX1300/1600) 762	2007/8/29	762
C	1300/1600 (GX1300/1600) 1.0E	2008/4/29	1.0E
D	1300/1600 (GX1300/1600) 1.0E	2006/4/22	1.0E



MODEL: GX 1300/1600	PART NUMBER: GX 000004603D
PART NAME: Y-AXIS POSITIONING	PAGE: 1 OF 1
Y 軸定位	REV: D
DATE: 2006/7/31	SCALE: 1:21

# PRODUCT BOM MASTER AND SUB-ITEMS LIST

\*\*\*\*\*

Master Item Part NO.: GX 000004603D

Description: Y-AXIS POSITIONING

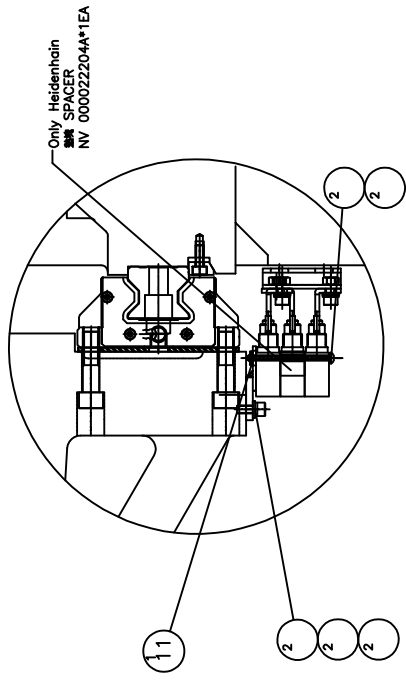
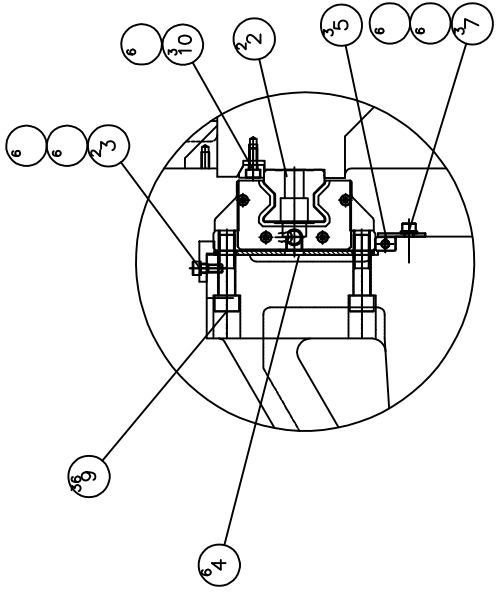
Y軸定位

Item	Part NO.	Description	中文名稱	Specification	Qty	Unit
1.00	MS 0104222	SOCKET HEAD CAP SCREW	六角穴圓頭螺絲	M12XP1.75XL40	52.00	EA
2.00	GX 000831601D	LINEAR GUIDE, Y AXIS	Y軸線性滑軌	[NSK]RA451405GMC2B01P63	1.00	ST
3.00	GX 000048000D	BALLSCREW	Y軸護蓋導桿	D30XL223.5	2.00	EA
4.03	GX 000048100D	BUSHING	Y護蓋襯套	D63XD32XL140	2.00	EA
5.02	GXA000199015D	BLOCK, WAYCOVER	軌道塊	L120XW88XH10	2.00	EA
6.00	GX 001108312D	SHIM, Y-AXIS TRUCK	Y軸墊片	L134XW84XT0.23	4.00	EA
7.00	GX 001108322D	SHIM, Y-AXIS TRUCK	Y軸墊片	L134XW33XT0.23	4.00	EA
8.03	GX 000668400D	SCREW	固定螺絲	M12XL30XD3	2.00	EA
9.01	GX 001162301D	UTILITY CARRIER, Y-AXIS	Y軸連動護板	L1052XW73XT0.5	1.00	EA
10.01	GX 001162302D	FIX BAR, UTILITY CARRIER	U型固定桿	L65XH59XD4	16.00	EA
11.00	NV 001059000D	RETAINER, WEDGE	楔塊	L20XW18.5XH9.5	52.00	EA
12.00	NV 00120690107	SELF-LUBRICATING BEARING	自潤軸承	3040	2.00	EA
13.00	NV 00101160130	OIL SEALER	防塵油封	NOK[PSIJ 30(30X38XH6)	2.00	EA
14.01	BL 000691600A	BUMPER	止動環	D30XD50XL20	2.00	EA
15.00	GX 000733500D	TENSIONAL SPRING	拉力彈簧	D21.2XD2.5XL250	2.00	EA
16.02	GXA000199022D	PLATE, Y-AXIS	Y前固定板	L1540XW90XH11	1.00	EA
17.00	NV 000599059J	WASHER, TOOL CLAMPING	墊片	D25XD6.6XH3	2.00	EA
18.00	MN 0113410	HEXAGON NUT	六角螺帽	M4XP0.7	32.00	EA
19.00	GX 000299014D	SHIM, COLUMN	墊片	L176XW80XT0.20	6.00	EA

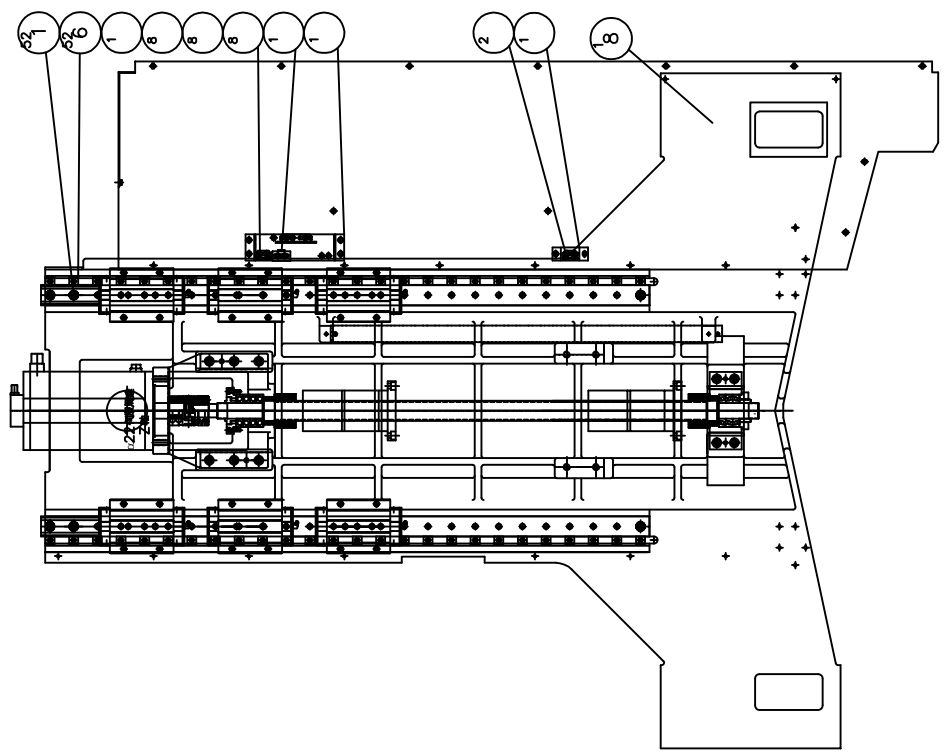
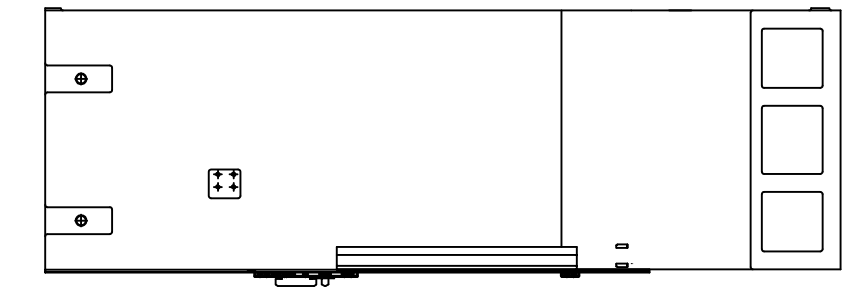
PRODUCT BOM MASTER AND SUB-ITEMS LIST  
\*\*\*\*\*

Item	Part NO.	Description	中文名稱	Specification	Qty	Unit
20.00	GX 000399057D	PLATE,SPRING	彈簧固定板	L113XW30XT2.3	2.00	EA

REV	DESCRIPTION	DATE	ECN
A	新機種 DRAWING	2006/9/4	171



Only Heidenhain  
 鋼製 SPACER  
 NV 00002220-4A\*1EA



MODEL: GX 1300#40/#50 GX 1600#40/#50	
PART NAME	PART NUMBER
Z-axis positioning Z軸定位	GX 000004701D
DATE 2006/9/4	PAGE 1 OF 1
KURT TOMPHIL	REV. A
SCALE 1:18	

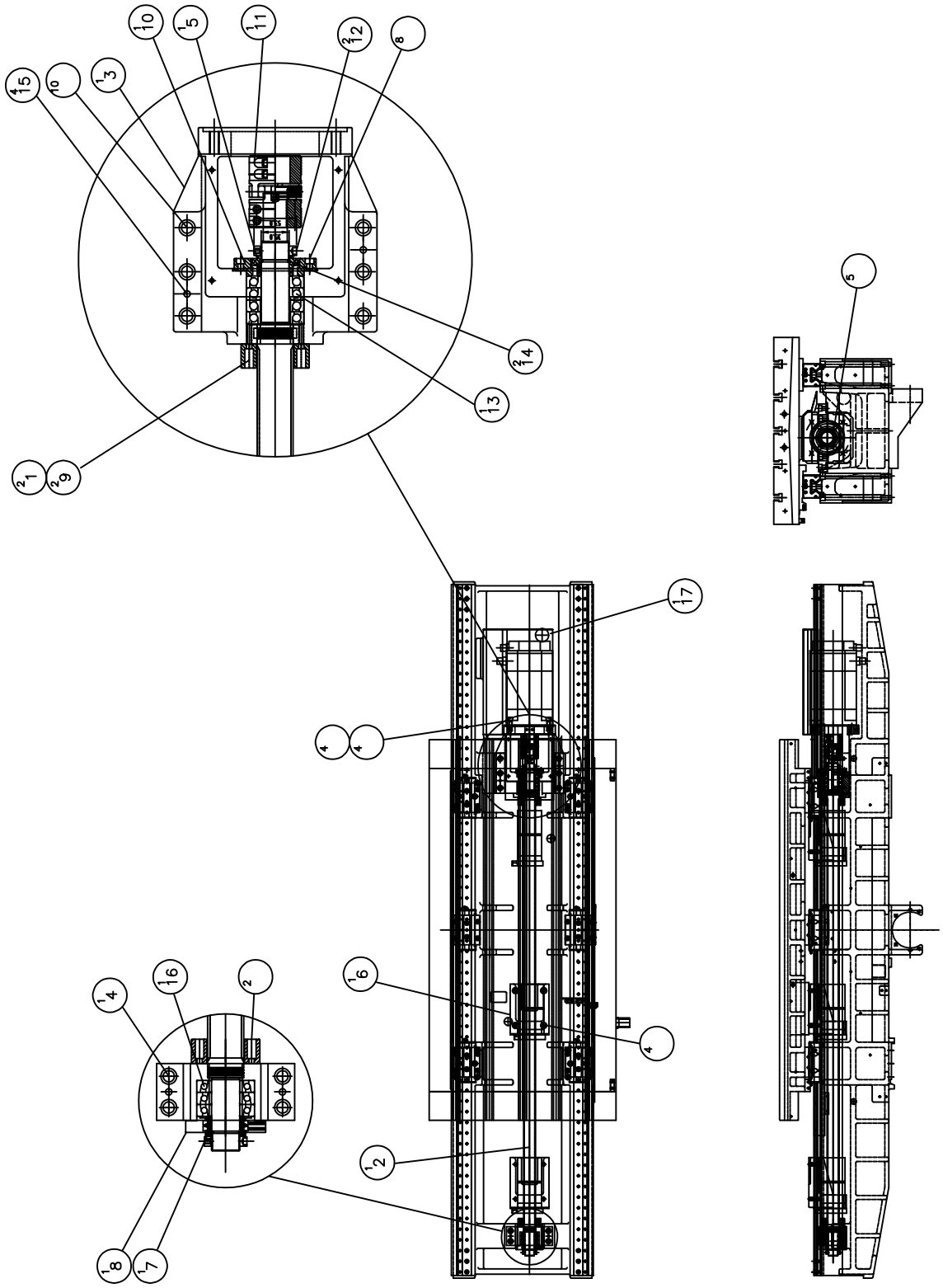
PRODUCT BOM MASTER AND SUB-ITEMS LIST  
\*\*\*\*\*

Master Item Part NO.: GX 000004701D

Description: Z-AXIS POSITIONING  
Z軸定位

Item	Part NO.	Description	中文名稱	Specification	Qty	Unit
1.00	MS 0103820	SOCKET HEAD CAP SCREW	六角穴圓頭螺絲	M8XP1.25XL30	52.00	EA
2.00	GX 000831602D	LINEAR GUIDE,Z AXIS	Z軸線性滑軌	[NSK]RA451353GMC3B01P63	1.00	ST
3.00	GX 000199021D	RETAINER, TRUCK	Z軸滑塊壓板	L127XW30XH10	2.00	ST
4.01	GX 001108300D	SHIM,Z-AXIS TRUCK	Z軸墊片	L134XW119XT2.76	6.00	ST
5.00	NV 000648101D	GIB, GUIDE TRUCK	調整塊	L80XW10XH15	3.00	ST
6.00	NV 001059000D	RETAINER, WEDGE	楔塊	L20XW18.5XH9.5	52.00	ST
7.00	NV 000199038D	RETAINER, GIB SHIM	壓板	L80XW27XH2	3.00	ST
8.11	GX 000184300D	COLUMN	立柱	L1768XW1510XH587	1.00	EA
9.00	MS 0104223	SOCKET HEAD CAP SCREW	六角穴圓頭螺絲	M12XP1.75XL45	36.00	EA
10.00	NV 001059001D	RETAINER, WEDGE	楔塊	L80XW18.5XH9.5	3.00	EA
11.00	NVA000199034A	PLATE	固定板	L45XW10XH5	1.00	EA

REV	DESCRIPTION	DATE	ECN
A	新仕様 機種# 17(GX 001011542D)	2006/10/24	236
B	機種# 17(GX 001011542D)	2007/5/10	563
C	機種# 17(GXA-GXB)	2007/9/18	982
D	汎用 001178204-INV001178204	2008/6/25	1975



MODEL: GX 1300#40/#50	PART NUMBER: GX 000004602D
PART NAME: X-AXIS TRANSMISSION(FANUC)	PAGE: 1 OF 1
× 車軸伝動機構 (FANUC)	REV: D
DATE: 2006/10/24	SCALE: 1:25

# PRODUCT BOM MASTER AND SUB-ITEMS LIST

\*\*\*\*\*

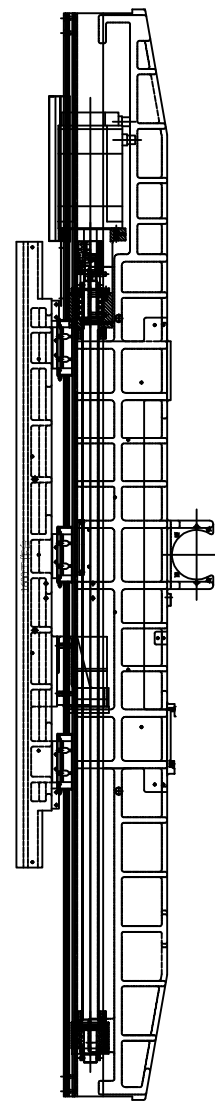
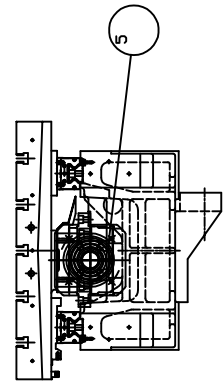
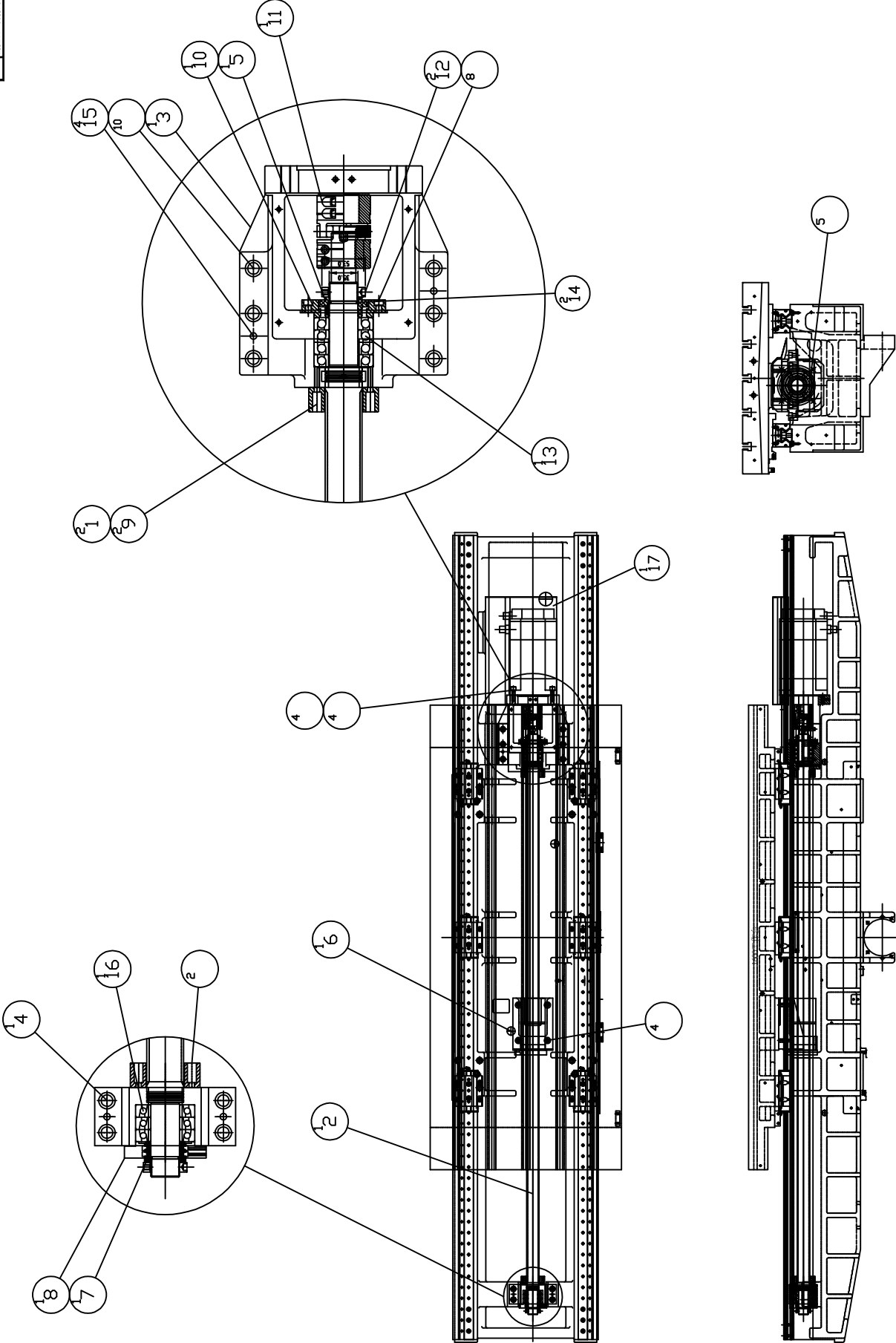
Master Item Part NO.: GX 000004602D

Description: X-AXIS TRANSMISSION(FANUC)

X軸傳動(FANUC)

Item	Part NO.	Description	中文名稱	Specification	Qty	Unit
1.00	MS 0103617	SOCKET HEAD CAP SCREW	六角穴圓頭螺絲	M6XP1.0XL16	2.00	EA
2.01	GX 000190200D	BALL SCREW, X-AXIS	X軸滾珠導螺桿	[PMIJR45-12D1-FDWE-1593-1905-C	1.00	ST
3.02	NVA001066100D	SEAT, XYZ AXIS MOTOR(FANUC)D45	XYZ軸馬達座(FANUC)D45	L254XW182XH270	1.00	ST
4.01	NVA001117600D	HOUSING, BEARING(D45)	XYZ軸承座(D45)	L172XW101XH71	1.00	ST
5.00	NV 000179920D	SPACER, SUPPORT BRG(HI-TORQUE)	間隔圈(高扭力)	D60XD35XL25	1.00	ST
6.01	NV 001066103D	BRACKET, BALLSCREW	導桿托架	L190XW146XH135.8	1.00	ST
7.00	NVA000179902D	SPACER	間隔圈	D50XD35XL25	1.00	ST
8.00	NVA001011554D	COVER,BALLSCREW	軸承座蓋	D100XD50.5XL20	1.00	ST
9.00	NVA000691601D	BUMPER	止動環	D85XD47XL30	2.00	ST
10.00	NV 001011508D	COVER,BALLSCREW	馬達座蓋	D102XD56XL21.5	1.00	ST
11.01	NVA001179204D	COUPLING(XYZ-AXIS)	聯軸器(XYZ-AXIS)	[D.K] GS3820 D30X35(D31)	1.00	EA
12.00	NV 000049220D	LOCKNUT	鎖緊螺帽	[MRJM35X1.5	2.00	ST
13.00	NV 00002660114	BEARING, BALL SCREW SUPPORT	滾珠導桿斜角滾珠軸承	[NSKJ35TAC72BDFFC10PN7B (4PCS/	1.00	ST
14.00	NV 00094310314	O-RING	O型油環	S32	2.00	ST
15.00	NV 00032530104	TAPER PIN	斜銷	D8X60L	4.00	ST
16.00	NV 00002660115	BEARING, BALL SCREW SUPPORT	滾珠導桿斜角滾珠軸承	[NSKJ35TAC72BDFDC10PN7B (3PCS/	1.00	ST
17.03	GXB001011542D	MOTOR COVER,X-AXIS(FANUC)	X軸馬達護蓋(FANUC)	L570XW260XH50.8	1.00	EA

REV	DESCRIPTION	DATE	ECN
A	新仕様 機種#17(GXA-GXB)	2006/10/24	236
B		2008/2/18	982
C	#110V 001792044-NVAM01792044	2009/2/25	1973



MODEL: GX 1600	PART NUMBER: GX 000004602E
PART NAME: X-AXIS TRANSMISSION(FANUC)	PAGE: 1 OF 1
DATE: 2006/10/24	SCALE: 1:22
REV: C	



# PRODUCT BOM MASTER AND SUB-ITEMS LIST

\*\*\*\*\*

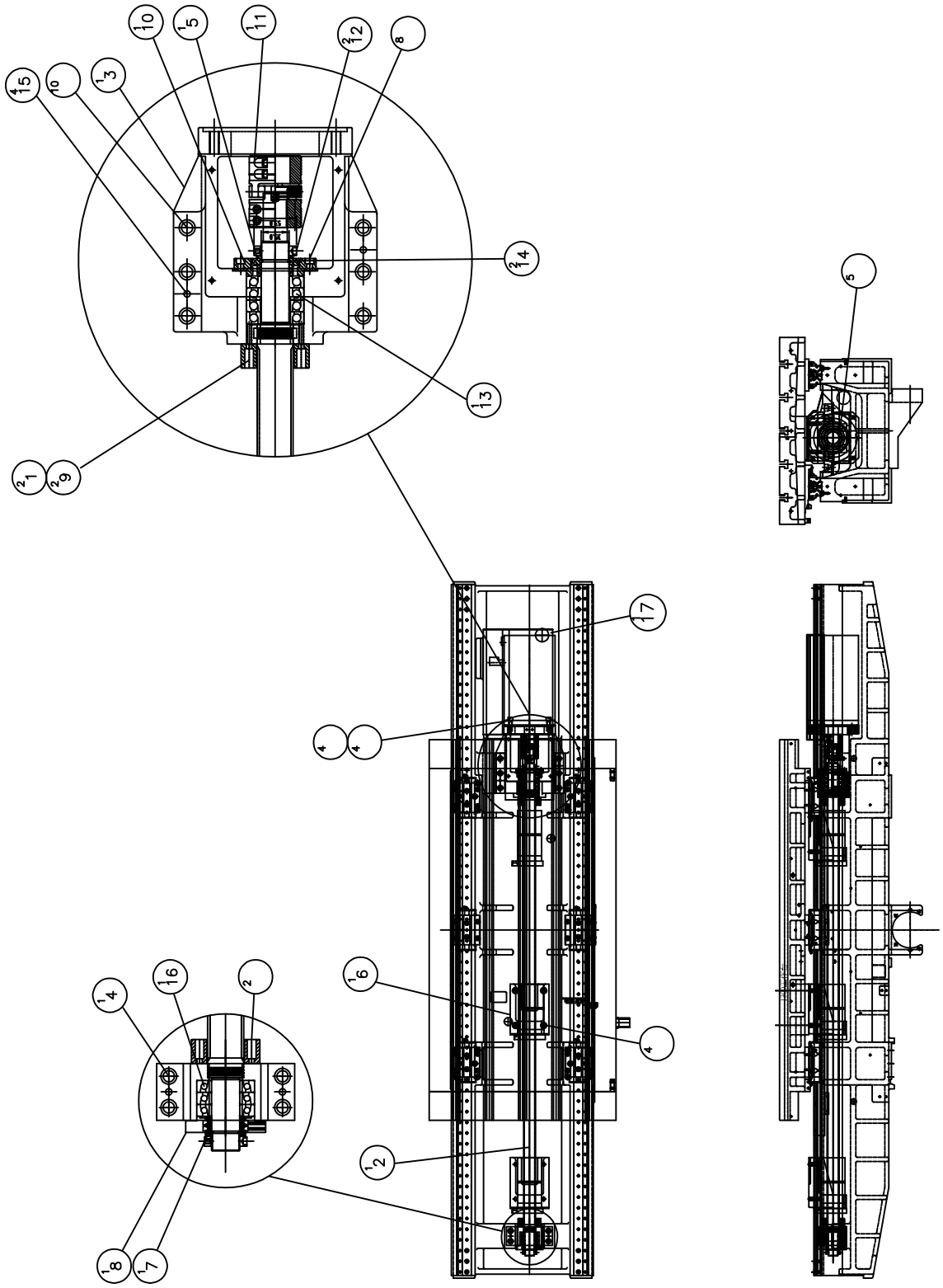
Master Item Part NO.: GX 000004602E

Description: X-AXIS TRANSMISSION(FANUC)

X軸傳動(FANUC)

Item	Part NO.	Description	中文名稱	Specification	Qty	Unit
1.00	MS 0103617	SOCKET HEAD CAP SCREW	六角穴圓頭螺絲	M6XP1.0XL16	2.00	EA
2.01	GX 000190200E	BALL SCREW, X-AXIS	X軸滾珠導螺桿	[PMIJR45-12D1-FDWE-1873-2185-C	1.00	ST
3.02	NVA001066100D	SEAT, XYZ AXIS MOTOR(FANUC)D45	XYZ軸馬達座(FANUC)D45	L254XW182XH270	1.00	ST
4.01	NVA001117600D	HOUSING, BEARING(D45)	XYZ軸承座(D45)	L172XW101XH71	1.00	ST
5.00	NV 000179920D	SPACER, SUPPORT BRG(HI-TORQUE)	間隔圈(高扭力)	D60XD35XL25	1.00	ST
6.01	NV 001066103D	BRACKET, BALLSCREW	導桿托架	L190XW146XH135.8	1.00	ST
7.00	NVA000179902D	SPACER	間隔圈	D50XD35XL25	1.00	ST
8.00	NVA001011554D	COVER,BALLSCREW	軸承座蓋	D100XD50.5XL20	1.00	ST
9.00	NVA000691601D	BUMPER	止動環	D85XD47XL30	2.00	ST
10.00	NV 001011508D	COVER,BALLSCREW	馬達座蓋	D102XD56XL21.5	1.00	ST
11.01	NVA001179204D	COUPLING(XYZ-AXIS)	聯軸器(XYZ-AXIS)	[D.K] GS3820 D30X35(D31)	1.00	EA
12.00	NV 000049220D	LOCKNUT	鎖緊螺帽	[MRJM35X1.5	2.00	ST
13.00	NV 00002660114	BEARING, BALL SCREW SUPPORT	滾珠導桿斜角滾珠軸承	[NSKJ35TAC72BDFFC10PN7B (4PCS/	1.00	ST
14.00	NV 00094310314	O-RING	O型油環	S32	2.00	ST
15.00	NV 00032530104	TAPER PIN	斜銷	D8X60L	4.00	ST
16.00	NV 00002660115	BEARING, BALL SCREW SUPPORT	滾珠導桿斜角滾珠軸承	[NSKJ35TAC72BDFDC10PN7B (3PCS/	1.00	ST
17.03	GXB001011542D	MOTOR COVER,X-AXIS(FANUC)	X軸馬達護蓋(FANUC)	L570XW260XH50.8	1.00	EA

REV	DESCRIPTION	DATE	ECN
A	新訂機種	2007/4/25	
B	機軸# 17 (GXA-GXB)	2008/10/08	982
C	11(NV_0011792GB-NM0011792GB)	2009/9/25	1972



MODEL: GX 1300	PART NUMBER	GX 000004602DC
PART NAME	X-AXIS TRANSMISSION(SIEMENS)	X軸傳動機( SIEMENS)
DATE	2007/4/25	SCALE 1:25
REV.	C	PAGE 1 OF 1

# PRODUCT BOM MASTER AND SUB-ITEMS LIST

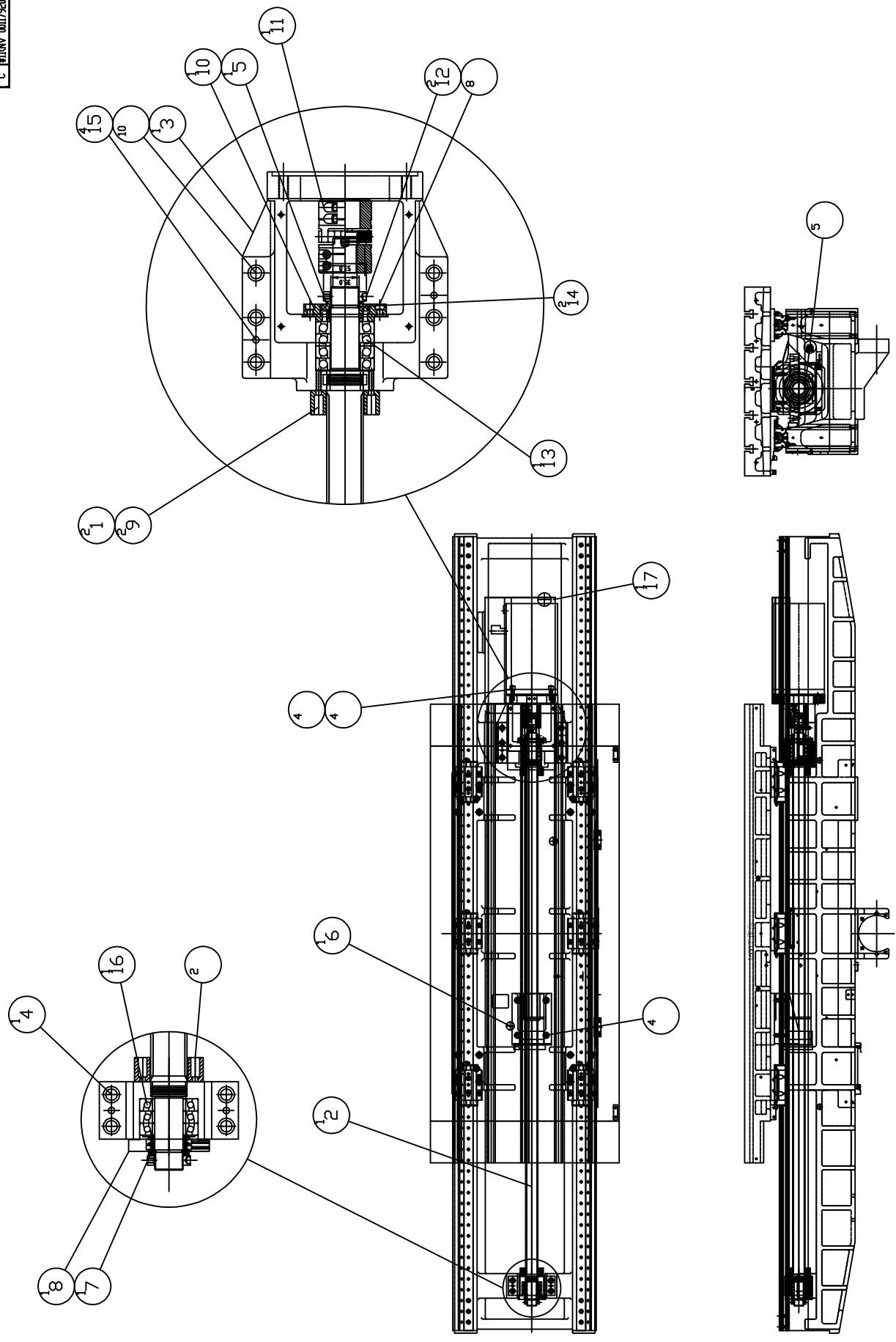
\*\*\*\*\*

Master Item Part NO.: GX 000004602DC

Description: X-AXIS TRANSMISSION(SIEMENS)  
X軸傳動(SIEMENS)

Item	Part NO.	Description	中文名稱	Specification	Qty	Unit
1.00	MS 0103617	SOCKET HEAD CAP SCREW	六角穴圓頭螺絲	M6XP1.0XL16	2.00	EA
2.00	GX 000190200D	BALL SCREW, X-AXIS	X軸滾珠導螺桿	[PMIJR45-12D1-FDWE-1593-1905-C	1.00	ST
3.01	NVA001066101D	SEAT, MOTOR(S/HEI)D45	馬達座(S/HEI)D45	L254XW192XH270	1.00	EA
4.00	NVA001117600D	HOUSING, BEARING(D45)	XYZ軸承座(D45)	L172XW101XH71	1.00	EA
5.00	NV 000179920D	SPACER, SUPPORT BRG(HI-TORQUE)	間隔圈(高扭力)	D60XD35XL25	1.00	EA
6.00	NV 001066103D	BRACKET, BALLSCREW	導桿托架	L190XW146XH135.8	1.00	EA
7.00	NVA000179902D	SPACER	間隔圈	D50XD35XL25	1.00	EA
8.00	NVA001011554D	COVER,BALLSCREW	軸承座蓋	D100XD50.5XL20	1.00	EA
9.00	NVA000691601D	BUMPER	止動環	D85XD47XL30	2.00	EA
10.00	NV 001011508D	COVER,BALLSCREW	馬達座蓋	D102XD56XL21.5	1.00	ST
11.01	NVA001179205D	COUPLING, 1FK7101(XYZ-AXIS)	聯軸器(XYZ-AXIS)	[D.K] GS3820 D30X38(D32)	1.00	EA
12.00	NV 000049220D	LOCKNUT	鎖緊螺帽	[MRJM35X1.5	2.00	ST
13.00	NV 00002660114	BEARING, BALL SCREW SUPPORT	滾珠導桿斜角滾珠軸承	[NSKJ35TAC72BDFFC10PN7B (4PCS/	1.00	ST
14.00	NV 00094310314	O-RING	O型油環	S32	2.00	ST
15.00	NV 00032530104	TAPER PIN	斜銷	D8X60L	4.00	ST
16.00	NV 00002660115	BEARING, BALL SCREW SUPPORT	滾珠導桿斜角滾珠軸承	[NSKJ35TAC72BDFDC10PN7B (3PCS/	1.00	ST
17.02	GXB001011541D	MOTOR COVER,X-AXIS	X軸馬達護蓋	L570XW260XH58.8	1.00	EA

REV	DESCRIPTION	DATE	ECN
A	新仕様	2007/4/20	236
B	仕様書#17(GXA-GXB)	2008/2/18	982
C	#110V 0017920J-NVAM017920J	2009/2/25	1973



MODEL: GX 1600	PART NUMBER	GX 000004602EC
PART NAME	X-AXIS TRANSMISSION(SIEMENS)	
車軸伝動機	SIEMENS	
DATE 2007/4/20	SCALE 1:22	REV. C
DATE 2007/4/20	SCALE 1:22	REV. C

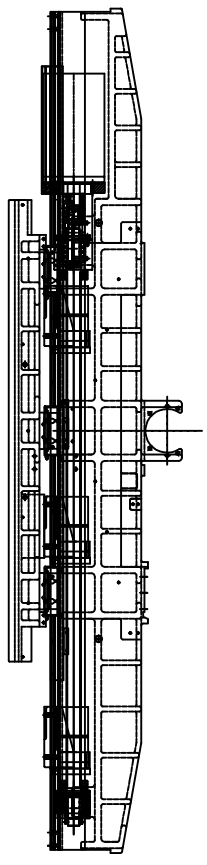
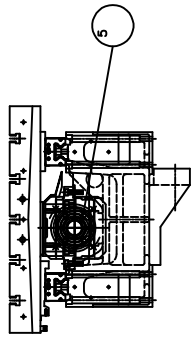
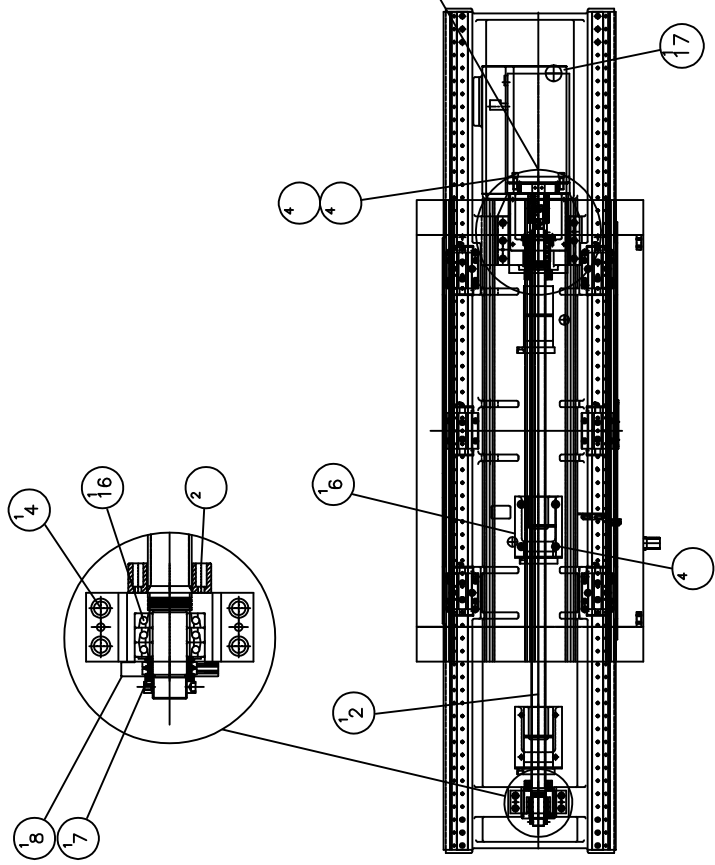
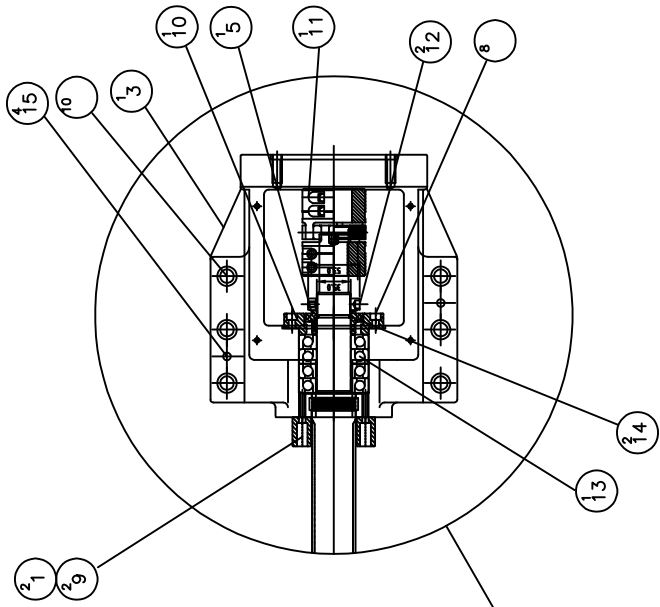
\*\*\*\*\*  
**PRODUCT BOM MASTER AND SUB-ITEMS LIST**  
 \*\*\*\*\*

Master Item Part NO.: GX 000004602EC

 Description: X-AXIS TRANSMISSION(SIEMENS)  
 X軸傳動(SIEMENS)

Item	Part NO.	Description	中文名稱	Specification	Qty	Unit
1.00	MS 0103617	SOCKET HEAD CAP SCREW	六角穴圓頭螺絲	M6XP1.0XL16	2.00	EA
2.00	GX 000190200E	BALL SCREW, X-AXIS	X軸滾珠導螺桿	[PMIJR45-12D1-FDWE-1873-2185-C	1.00	ST
3.02	NVA001066101D	SEAT, MOTOR(S/HEI)D45	馬達座(S/HEI)D45	L254XW192XH270	1.00	ST
4.00	NVA001117600D	HOUSING, BEARING(D45)	XYZ軸承座(D45)	L172XW101XH71	1.00	ST
5.00	NV 000179920D	SPACER, SUPPORT BRG(HI-TORQUE)	間隔圈(高扭力)	D60XD35XL25	1.00	ST
6.00	NV 001066103D	BRACKET, BALLSCREW	導桿托架	L190XW146XH135.8	1.00	ST
7.00	NVA000179902D	SPACER	間隔圈	D50XD35XL25	1.00	ST
8.00	NVA001011554D	COVER,BALLSCREW	軸承座蓋	D100XD50.5XL20	1.00	ST
9.00	NVA000691601D	BUMPER	止動環	D85XD47XL30	2.00	ST
10.00	NV 001011508D	COVER,BALLSCREW	馬達座蓋	D102XD56XL21.5	1.00	ST
11.01	NVA001179205D	COUPLING, 1FK7101(XYZ-AXIS)	聯軸器(XYZ-AXIS)	[D.K] GS3820 D30X38(D32)	1.00	EA
12.00	NV 000049220D	LOCKNUT	鎖緊螺帽	[MRJM35X1.5	2.00	ST
13.00	NV 00002660114	BEARING, BALL SCREW SUPPORT	滾珠導桿斜角滾珠軸承	[NSKJ35TAC72BDFFC10PN7B (4PCS/	1.00	ST
14.00	NV 00094310314	O-RING	O型油環	S32	2.00	ST
15.00	NV 00032530104	TAPER PIN	斜銷	D8X60L	4.00	ST
16.00	NV 00002660115	BEARING, BALL SCREW SUPPORT	滾珠導桿斜角滾珠軸承	[NSKJ35TAC72BDFDC10PN7B (3PCS/	1.00	ST
17.02	GXB001011541D	MOTOR COVER,X-AXIS	X軸馬達護蓋	L570XW260XH58.8	1.00	EA

REV	DESCRIPTION	DATE	ECN
A	新訂機種 2006/10/24	2006/10/24	236
B	機殼#17(GXA→GXB) 2008/10/08	2008/10/08	982
C	11(NV_00117920A~NV00117920A) 2009/9/25	2009/9/25	1972



MODEL: GX 1300#40/#50	
PART NAME	PART NUMBER
X-AXIS TRANSMISSION(HEIDENHAIN)	GX 000004609D
X軸傳動(HEIDENHAIN)	PAGE 1 OF 1
DATE 2006/10/24	REV. C
LIBRARY	SCALE 1:25

# PRODUCT BOM MASTER AND SUB-ITEMS LIST

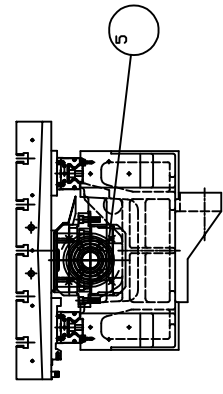
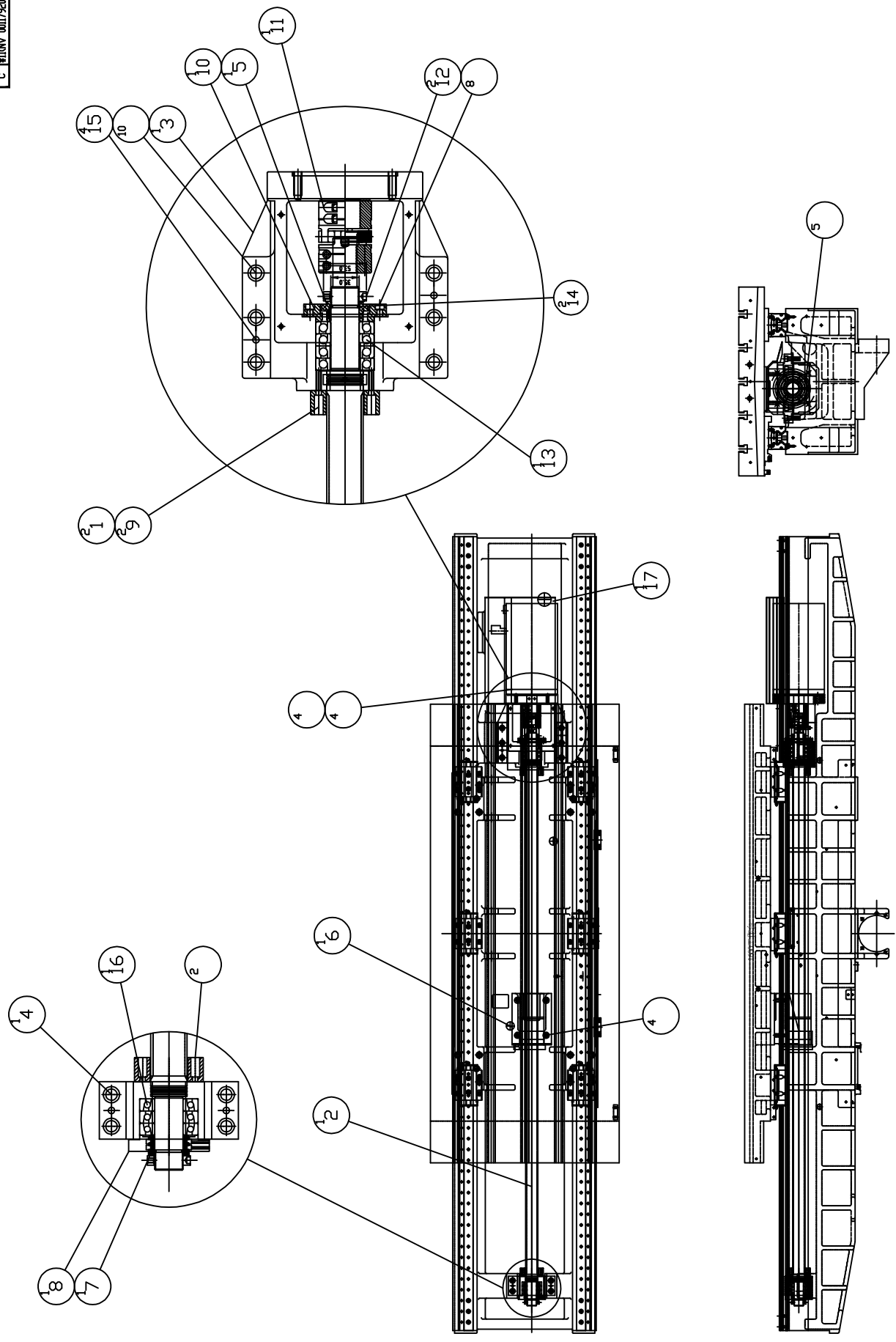
\*\*\*\*\*

Master Item Part NO.: GX 000004609D

Description: X-AXIS TRANSMISSION(HEIDENHAIN  
X軸傳動(HEIDENHAIN))

Item	Part NO.	Description	中文名稱	Specification	Qty	Unit
1.00	MS 0103617	SOCKET HEAD CAP SCREW	六角穴圓頭螺絲	M6XP1.0XL16	2.00	EA
2.01	GX 000190200D	BALL SCREW, X-AXIS	X軸滾珠導螺桿	[PMIJR45-12D1-FDWE-1593-1905-C	1.00	ST
3.01	NV 001066246D	SEAT,XY AXIS MOTOR(HEI)D45	XY馬達座(HEIDENHAIN QSY155D)D45	L254XW270XH192	1.00	ST
4.01	NVA001117600D	HOUSING, BEARING(D45)	XYZ軸承座(D45)	L172XW101XH71	1.00	ST
5.00	NV 000179920D	SPACER, SUPPORT BRG(HI-TORQUE)	間隔圈(高扭力)	D60XD35XL25	1.00	ST
6.01	NV 001066103D	BRACKET, BALLSCREW	導桿托架	L190XW146XH135.8	1.00	ST
7.00	NVA000179902D	SPACER	間隔圈	D50XD35XL25	1.00	ST
8.00	NVA001011554D	COVER,BALLSCREW	軸承座蓋	D100XD50.5XL20	1.00	ST
9.00	NVA000691601D	BUMPER	止動環	D85XD47XL30	2.00	ST
10.00	NV 001011508D	COVER,BALLSCREW	馬達座蓋	D102XD56XL21.5	1.00	ST
11.02	NVA001179206D	COUPLING, QSY 190C(XY-AXIS)	聯軸器(XY-AXIS)	[D.K] GS2820 D30X32(D31)	1.00	EA
12.00	NV 000049220D	LOCKNUT	鎖緊螺帽	[MRJM35X1.5	2.00	ST
13.00	NV 00002660114	BEARING, BALL SCREW SUPPORT	滾珠導桿斜角滾珠軸承	[NSKJ35TAC72BDFFC10PN7B (4PCS/	1.00	ST
14.00	NV 00094310314	O-RING	O型油環	S32	2.00	ST
15.00	NV 00032530104	TAPER PIN	斜銷	D8X60L	4.00	ST
16.00	NV 00002660115	BEARING, BALL SCREW SUPPORT	滾珠導桿斜角滾珠軸承	[NSKJ35TAC72BDFDC10PN7B (3PCS/	1.00	ST
17.02	GXB001011541D	MOTOR COVER,X-AXIS	X軸馬達護蓋	L570XW260XH58.8	1.00	EA

REV	DESCRIPTION	DATE	ECN
A	新仕様 機種#17(GXA-GXB)	2007/4/20	236
B		2008/2/18	982
C	#110V 00179204H-NV400179204H	2009/2/25	1973



MODEL: GX 1600	PART NUMBER: GX 000004609E
PART NAME: X-AXIS TRANSMISSION<HEIDENHAIN>	PAGE: 1 OF 1
X 軸傳動機<HEIDENHAIN>	REV: C
DATE: 2007/4/20	SCALE: 1:22
DESIGNER: [Signature]	



# PRODUCT BOM MASTER AND SUB-ITEMS LIST

\*\*\*\*\*

Master Item Part NO.: GX 000004609E

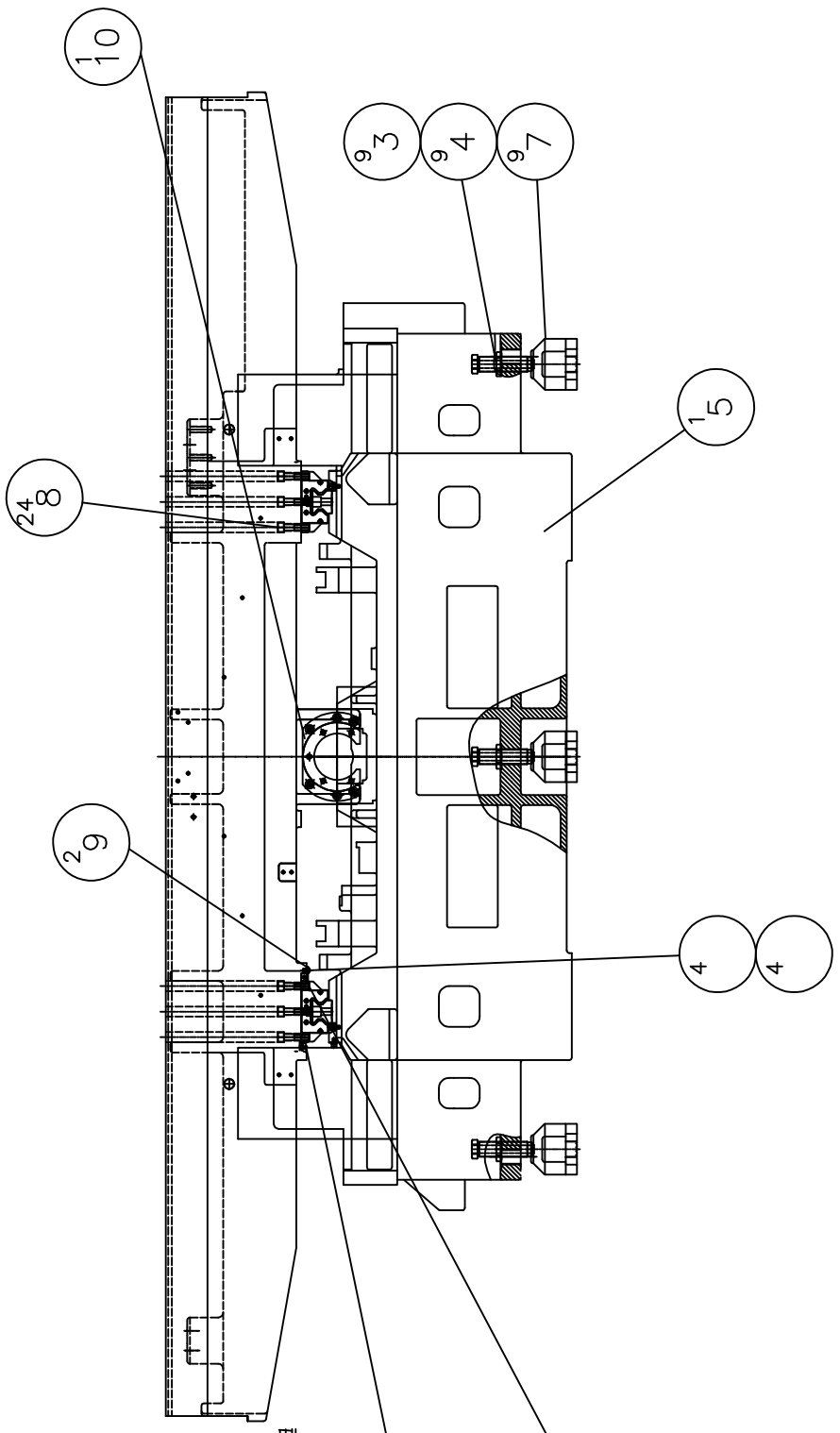
Description: X-AXIS TRANSMISSION(HEID)

X軸傳動(HEIDENHAIN)

Item	Part NO.	Description	中文名稱	Specification	Qty	Unit
1.00	MS 0103617	SOCKET HEAD CAP SCREW	六角穴圓頭螺絲	M6XP1.0XL16	2.00	EA
2.01	GX 000190200E	BALL SCREW, X-AXIS	X軸滾珠導螺桿	[PMIJR45-12D1-FDWE-1873-2185-C	1.00	ST
3.01	NV 001066246D	SEAT,XY AXIS MOTOR(HEI)D45	XY馬達座(HEIDENHAIN QSY155D)D45	L254XW270XH192	1.00	ST
4.01	NVA001117600D	HOUSING, BEARING(D45)	XYZ軸承座(D45)	L172XW101XH71	1.00	ST
5.00	NV 000179920D	SPACER, SUPPORT BRG(HI-TORQUE)	間隔圈(高扭力)	D60XD35XL25	1.00	ST
6.01	NV 001066103D	BRACKET, BALLSCREW	導桿托架	L190XW146XH135.8	1.00	ST
7.00	NVA000179902D	SPACER	間隔圈	D50XD35XL25	1.00	ST
8.00	NVA001011554D	COVER,BALLSCREW	軸承座蓋	D100XD50.5XL20	1.00	ST
9.00	NVA000691601D	BUMPER	止動環	D85XD47XL30	2.00	ST
10.00	NV 001011508D	COVER,BALLSCREW	馬達座蓋	D102XD56XL21.5	1.00	ST
11.02	NVA001179206D	COUPLING, QSY 190C(XY-AXIS)	聯軸器(XY-AXIS)	[D.K] GS2820 D30X32(D31)	1.00	EA
12.00	NV 000049220D	LOCKNUT	鎖緊螺帽	[MRJM35X1.5	2.00	ST
13.00	NV 00002660114	BEARING, BALL SCREW SUPPORT	滾珠導桿斜角滾珠軸承	[NSKJ35TAC72BDFFC10PN7B (4PCS/	1.00	ST
14.00	NV 00094310314	O-RING	O型油環	S32	2.00	ST
15.00	NV 00032530104	TAPER PIN	斜銷	D8X60L	4.00	ST
16.00	NV 00002660115	BEARING, BALL SCREW SUPPORT	滾珠導桿斜角滾珠軸承	[NSKJ35TAC72BDFDC10PN7B (3PCS/	1.00	ST
17.02	GXB001011541D	MOTOR COVER,X-AXIS	X軸馬達護蓋	L570XW260XH58.8	1.00	EA

REV	DESCRIPTION	DATE	ECN
A	新製	2006/8/1	

M12x1.50L50L50 螺絲緊力60M—m.  
Torque to 60Nm.



M6x20L50L50 螺絲緊力12 N—m.  
Torque to 12 N—m.

MODEL: GX 1300/1600	
PART NAME	PART NUMBER
Y—AXIS TRANSMISSION Y車軸傳動(1)	GX 000004604D
DATE 2006/8/1	PAGE 1 OF 1
SCALE 1:17	REV. A

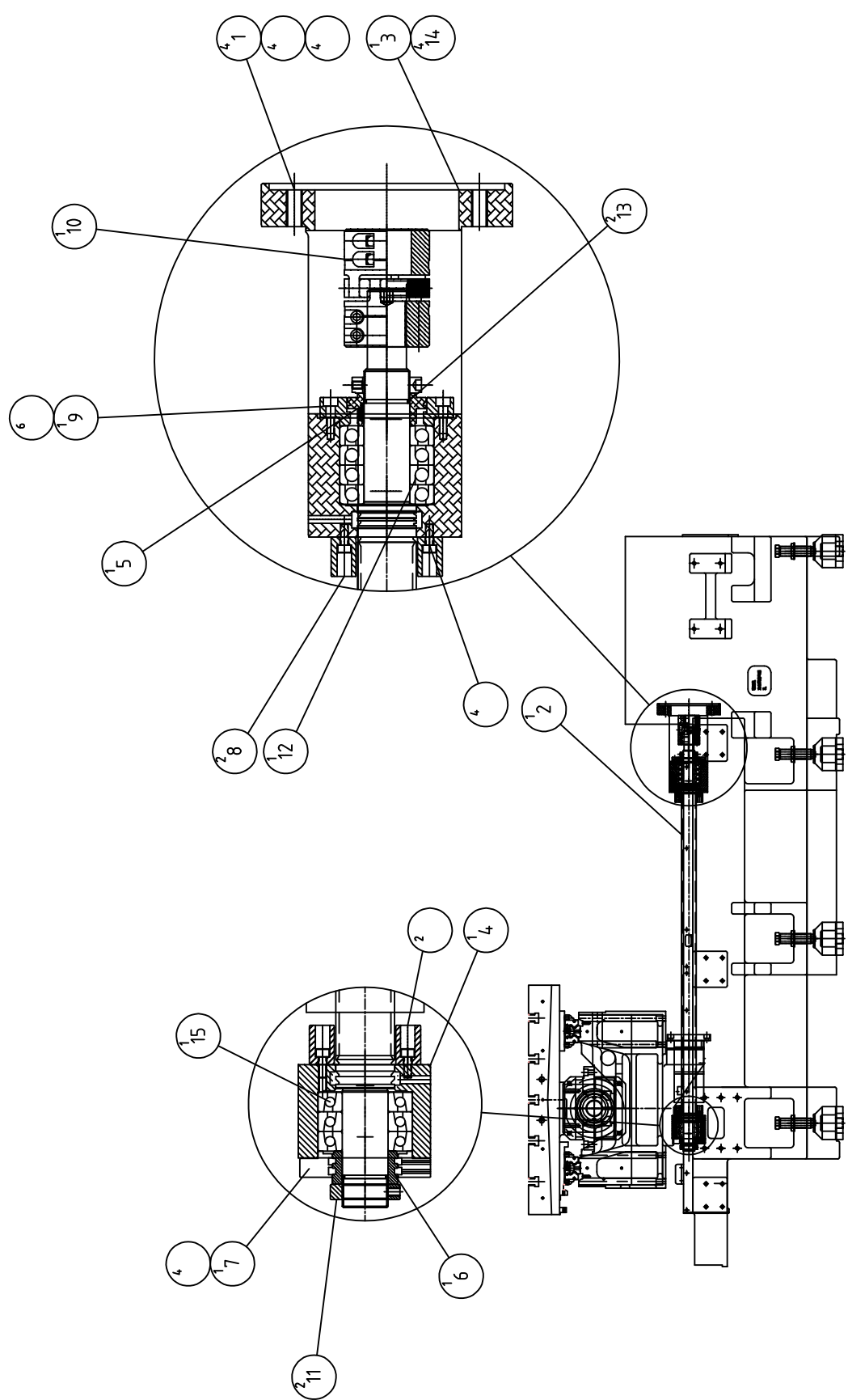
PRODUCT BOM MASTER AND SUB-ITEMS LIST  
\*\*\*\*\*

Master Item Part NO.: GX 000004604D

Description: Y-AXIS TRANSMISSION  
Y軸傳動(1)

Item	Part NO.	Description	中文名稱	Specification	Qty	Unit
1.00	MS 0103617	SOCKET HEAD CAP SCREW	六角穴圓頭螺絲	M6XP1.0XL16	4.00	EA
2.00	NV 000648101D	GIB, GUIDE TRUCK	調整塊	L80XW10XH15	2.00	ST
3.01	NV 000668409D	SCREW, LEVELING	水平調整螺絲	W32XL120*P2	9.00	ST
4.00	NV 000049212A	NUT	螺帽	W41XL10	9.00	ST
5.12	GX 000390000D	MACHINE BASE	底座	L2234.5XW1880XH655	1.00	EA
6.00	GX 001059000D	RETAINER, WEDGE	楔塊	L98XW18.5XH9.5	2.00	ST
7.01	GX 300199000D	PAD	墊塊	D100XL90	9.00	EA
8.00	MS 0104224	SOCKET HEAD CAP SCREW	六角穴圓頭螺絲	M12XP1.75XL50	24.00	EA
9.00	NV 000199038D	RETAINER, GIB SHIM	壓板	L80XW27XH2	2.00	EA
10.00	GX 001066108D	SPACER, Y-AXIS BALLSCREW	Y軸導螺桿螺帽墊塊	D174XH28	1.00	EA

REV	DESCRIPTION	DATE	ENR
A	2006/10/24	236	
B	#10INV 0011720A-AWAD011720A1	2006/10/25	197



MODEL: GX 1300/1600	PART NUMBER: GX 000004605D
PART NAME: Y-AXIS TRANSMISSION(FANUC)	PAGE: 1 OF 1
Y 軸傳動裝置(2)(FANUC)	REV: B
DATE: 2006/10/24	SCALE: 1:20
UPP GARY	

# PRODUCT BOM MASTER AND SUB-ITEMS LIST

\*\*\*\*\*

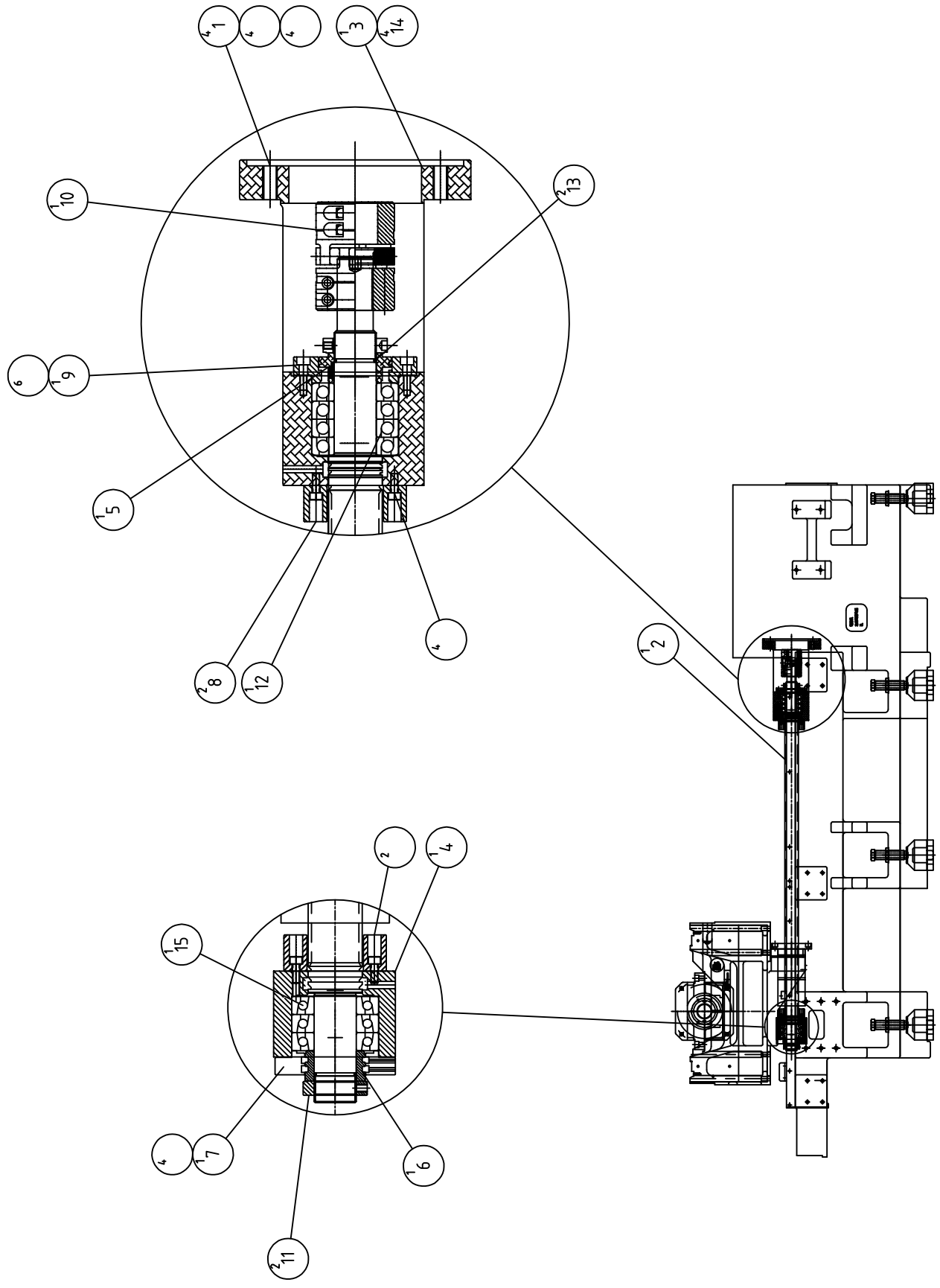
Master Item Part NO.: GX 000004605D

Description: Y-AXIS TRANSMISSION(FANUC)

Y軸傳動(2)(FANUC)

Item	Part NO.	Description	中文名稱	Specification	Qty	Unit
1.00	MS 0154221	HEX HD., FULL THD	六角頭螺絲	M12XP1.75XL35, ST12.9	4.00	EA
2.01	GX 000190201D	BALL SCREW,Y-AXIS	Y軸滾珠導螺桿	[PMI]R45-12D1-FDWE-973-1285-C3	1.00	ST
3.02	NVA001066100D	SEAT, XYZ AXIS MOTOR(FANUC)D45	XYZ軸馬達座(FANUC)D45	L254XW182XH270	1.00	ST
4.02	NVA001117600D	HOUSING, BEARING(D45)	XYZ軸承座(D45)	L172XW101XH71	1.00	ST
5.00	NV 000179920D	SPACER, SUPPORT BRG(HI-TORQUE)	間隔圈(高扭力)	D60XD35XL25	1.00	ST
6.00	NVA000179902D	SPACER	間隔圈	D50XD35XL25	1.00	ST
7.00	NVA0001011554D	COVER,BALLSCREW	軸承座蓋	D100XD50.5XL20	1.00	ST
8.00	NVA000691601D	BUMPER	止動環	D85XD47XL30	2.00	ST
9.00	NV 001011508D	COVER,BALLSCREW	馬達座蓋	D102XD56XL21.5	1.00	ST
10.01	NVA001179204D	COUPLING(XYZ-AXIS)	聯軸器(XYZ-AXIS)	[P.K] GS3820 D30X35(D31)	1.00	EA
11.00	NV 000049220D	LOCKNUT	鎖緊螺帽	[MR]M35X1.5	2.00	ST
12.00	NV 00002660114	BEARING, BALL SCREW SUPPORT	滾珠導桿斜角滾珠軸承	[NSK]35TAC72BDFFC10PN7B (4PCS/	1.00	ST
13.00	NV 00094310314	O-RING	O型油環	S32	2.00	ST
14.00	NV 00032530104	TAPER PIN	斜銷	D8X60L	4.00	ST
15.00	NV 00002660115	BEARING, BALL SCREW SUPPORT	滾珠導桿斜角滾珠軸承	[NSK]35TAC72BDFDC10PN7B (3PCS/	1.00	ST

REV	DESCRIPTION	DATE	ENR
A		2006/10/24	236
B	#10INV.00117205D-ANVA0117205D	2006/10/25	197



MODEL: GX 1300/1600	PART NUMBER: GX 000004605DC
PART NAME: Y-AXIS TRANSMISSION(SIEMENS)	PAGE: 1 OF 1
Y 軸傳動(2)(SIEMENS)	REV: B
DATE: 2006/10/24	SCALE: 1:20

# PRODUCT BOM MASTER AND SUB-ITEMS LIST

\*\*\*\*\*

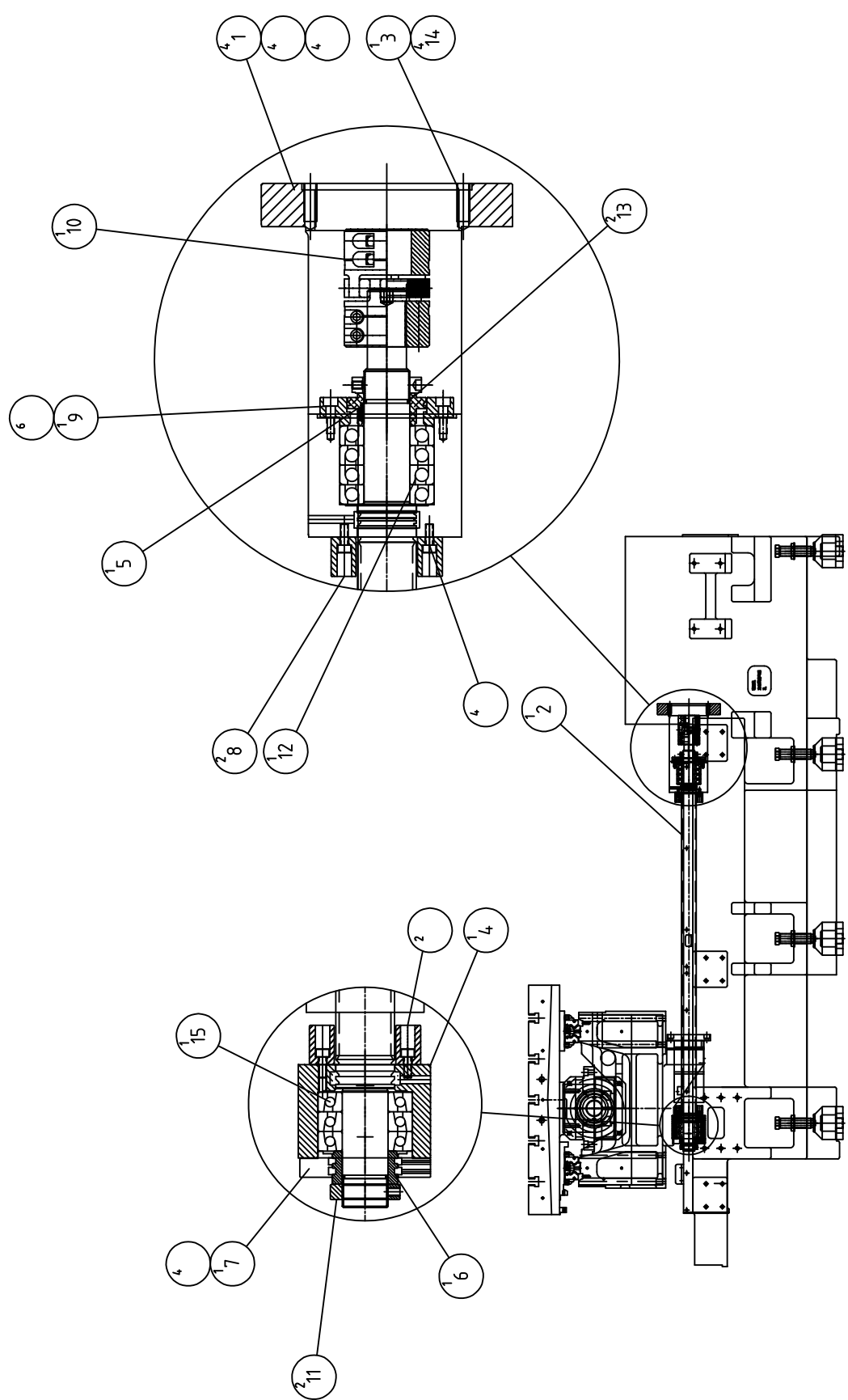
Master Item Part NO.: GX 000004605DC

Description: Y-AXIS TRANSMISSION(SIEMENS)

Y軸傳動(2)(SIEMENS)

Item	Part NO.	Description	中文名稱	Specification	Qty	Unit
1.00	MS 0154221	HEX HD., FULL THD	六角頭螺絲	M12XP1.75XL35, ST12.9	4.00	EA
2.00	GX 000190201D	BALL SCREW,Y-AXIS	Y軸滾珠導螺桿	[PMI]R45-12D1-FDWE-973-1285-C3	1.00	ST
3.01	NVA001066101D	SEAT, MOTOR(S/HEI)D45	馬達座(S/HEI)D45	L254XW192XH270	1.00	ST
4.01	NVA001117600D	HOUSING, BEARING(D45)	XYZ軸承座(D45)	L172XW101XH71	1.00	ST
5.00	NV 000179920D	SPACER, SUPPORT BRG(HI-TORQUE)	間隔圈(高扭力)	D60XD35XL25	1.00	ST
6.00	NVA000179902D	SPACER	間隔圈	D50XD35XL25	1.00	ST
7.00	NVA0001011554D	COVER,BALLSCREW	軸承座蓋	D100XD50.5XL20	1.00	ST
8.00	NVA000691601D	BUMPER	止動環	D85XD47XL30	2.00	ST
9.00	NV 001011508D	COVER,BALLSCREW	馬達座蓋	D102XD56XL21.5	1.00	ST
10.01	NVA001179205D	COUPLING, 1FK7101(XYZ-AXIS)	聯軸器(XYZ-AXIS)	[D.K] GS3820 D30X38(D32)	1.00	EA
11.00	NV 000049220D	LOCKNUT	鎖緊螺帽	[MR]M35X1.5	2.00	ST
12.00	NV 00002660114	BEARING, BALL SCREW SUPPORT	滾珠導桿斜角滾珠軸承	[NSK]35TAC72BDFFC10PN7B (4PCS/	1.00	ST
13.00	NV 00094310314	O-RING	O型油環	S32	2.00	ST
14.00	NV 00032530104	TAPER PIN	斜銷	D8X60L	4.00	ST
15.00	NV 00002660115	BEARING, BALL SCREW SUPPORT	滾珠導桿斜角滾珠軸承	[NSK]35TAC72BDFDC10PN7B (3PCS/	1.00	ST

REV	DESCRIPTION	DATE	ENR
A	2006/10/24	2006/10/24	236
B	#10INV 0011720A-A-NVA0011720(A)	2008/02/25	197



MODEL: GX 1300/1600	PART NUMBER: GX 000004610D
PART NAME: Y-AXIS TRANSMISSION(HEIDENHAIN)	PAGE: 1 OF 1
Y 華中傳動(2)(HEIDENHAIN)	REV: B
DATE: 2006/10/24	SCALE: 1:20
DESIGNER: TGM	



# PRODUCT BOM MASTER AND SUB-ITEMS LIST

\*\*\*\*\*

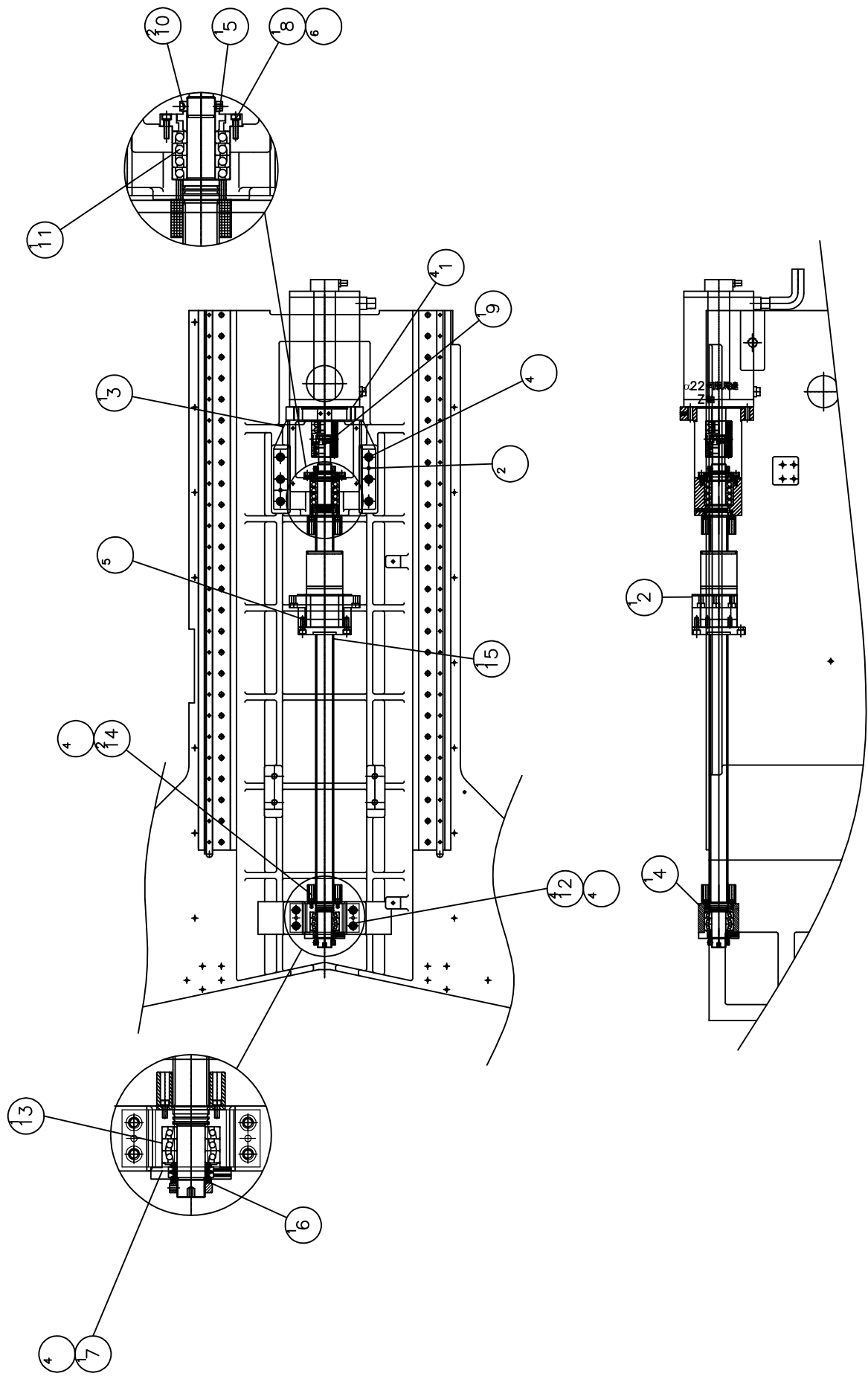
Master Item Part NO.: GX 000004610D

Description: Y-AXIS TRANSMISSION(HEIDENHAIN

Y軸傳動(2)(HEIDENHAIN)

Item	Part NO.	Description	中文名稱	Specification	Qty	Unit
1.00	MS 0154221	HEX HD., FULL THD	六角頭螺絲	M12XP1.75XL35, ST12.9	4.00	EA
2.01	GX 000190201D	BALL SCREW,Y-AXIS	Y軸滾珠導螺桿	[PMI]R45-12D1-FDWE-973-1285-C3	1.00	ST
3.01	NV 001066246D	SEAT,XY AXIS MOTOR(HEI)D45	XY馬達座(HEIDENHAIN QSY155D)D45	L254XW270XH192	1.00	ST
4.01	NVA001117600D	HOUSING, BEARING(D45)	XYZ軸承座(D45)	L172XW101XH71	1.00	ST
5.00	NV 000179920D	SPACER, SUPPORT BRG(HI-TORQUE)	間隔圈(高扭力)	D60XD35XL25	1.00	ST
6.00	NVA000179902D	SPACER	間隔圈	D50XD35XL25	1.00	ST
7.00	NVA001011554D	COVER,BALLSCREW	軸承座蓋	D100XD50.5XL20	1.00	ST
8.00	NVA000691601D	BUMPER	止動環	D85XD47XL30	2.00	ST
9.00	NV 001011508D	COVER,BALLSCREW	馬達座蓋	D102XD56XL21.5	1.00	ST
10.02	NVA001179206D	COUPLING, QSY 190C(XY-AXIS)	聯軸器(XY-AXIS)	[D.K] GS2820 D30X32(D31)	1.00	EA
11.00	NV 000049220D	LOCKNUT	鎖緊螺帽	[MR]M35X1.5	2.00	ST
12.00	NV 00002660114	BEARING, BALL SCREW SUPPORT	滾珠導桿斜角滾珠軸承	[NSK]35TAC72BDFFC10PN7B (4PCS/	1.00	ST
13.00	NV 00094310314	O-RING	O型油環	S32	2.00	ST
14.00	NV 00032530104	TAPER PIN	斜銷	D8X60L	4.00	ST
15.00	NV 00002660115	BEARING, BALL SCREW SUPPORT	滾珠導桿斜角滾珠軸承	[NSK]35TAC72BDFDC10PN7B (3PCS/	1.00	ST

REV	DESCRIPTION	DATE	ECN
A	新仕様	2006/10/24	236
B	F(NV 0011792044-NM0011792044)	2008/05/19	75



MODEL: GX 1300/1600	PART NUMBER: GX 000004702D
PART NAME: Z-axis TRANSMISSION(FANUC)	PAGE: 1 OF 1
Z 串軸傳動箱(FANUC)	REV: B
DATE: 2006/10/24	SCALE: 1:15

# PRODUCT BOM MASTER AND SUB-ITEMS LIST

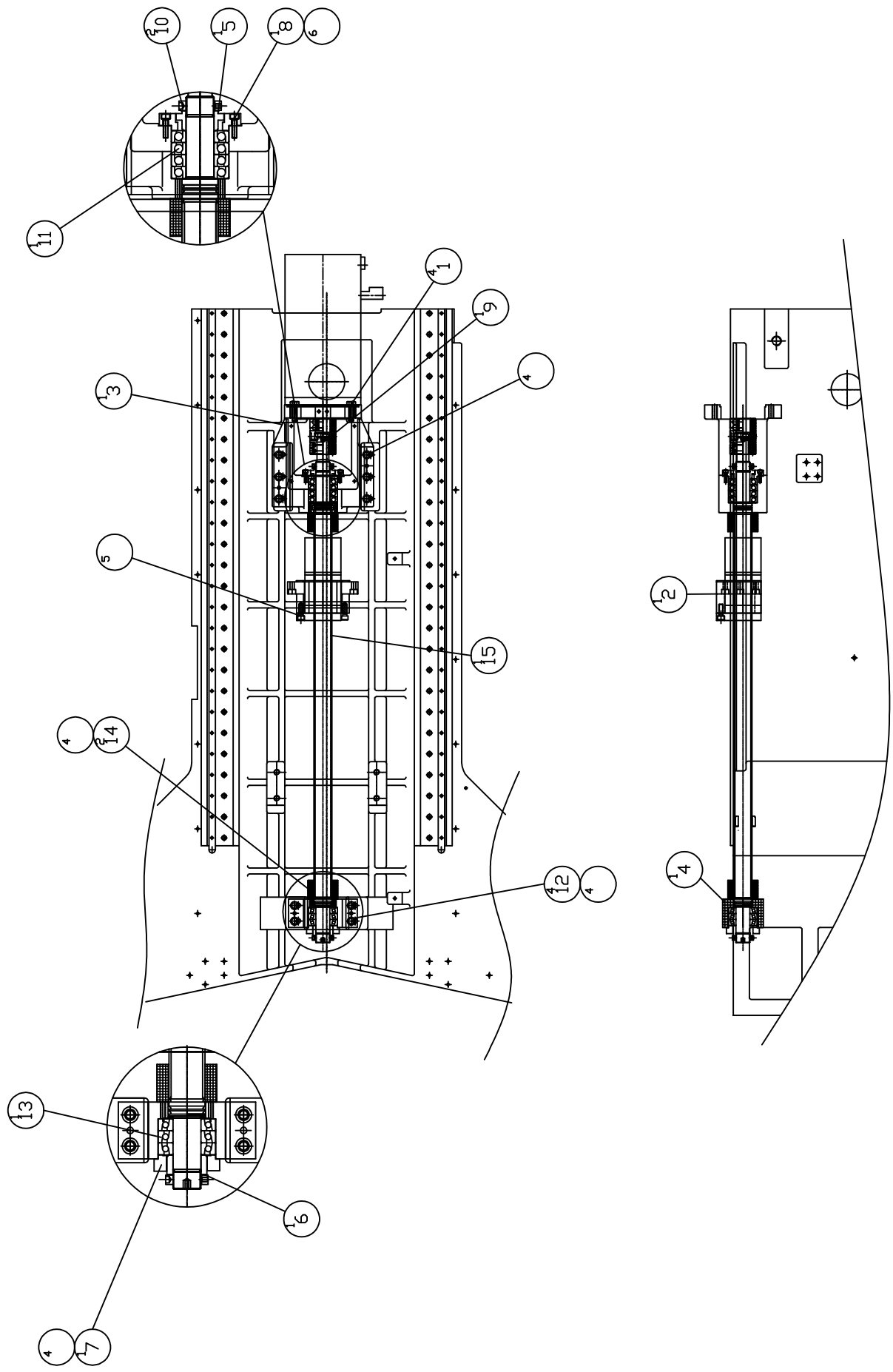
\*\*\*\*\*

Master Item Part NO.: GX 000004702D

Description: Z-AXIS TRANSMISSION(FANUC)  
Z 軸傳動(FANUC)

Item	Part NO.	Description	中文名稱	Specification	Qty	Unit
1.00	MS 0104222	SOCKET HEAD CAP SCREW	六角穴圓頭螺絲	M12XP1.75XL40	4.00	EA
2.00	GX 001066103D	NUT BRACKET	Z軸螺帽支撐架	D176XD92XL78.5	1.00	ST
3.03	NVA001066100D	SEAT, XYZ AXIS MOTOR(FANUC)D45	XYZ軸馬達座(FANUC)D45	L254XW182XH270	1.00	ST
4.02	NVA001117600D	HOUSING, BEARING(D45)	XYZ軸承座(D45)	L172XW101XH71	1.00	ST
5.00	NV 000179920D	SPACER, SUPPORT BRG(HI-TORQUE)	間隔圈(高扭力)	D60XD35XL25	1.00	ST
6.00	NVA000179902D	SPACER	間隔圈	D50XD35XL25	1.00	ST
7.00	NVA001011554D	COVER,BALLSCREW	軸承座蓋	D100XD50.5XL20	1.00	ST
8.00	NV 001011508D	COVER,BALLSCREW	馬達座蓋	D102XD56XL21.5	1.00	ST
9.01	NVA001179204D	COUPLING(XYZ-AXIS)	聯軸器(XYZ-AXIS)	[D.K] GS3820 D30X35(D31)	1.00	EA
10.00	NV 000049220D	LOCKNUT	鎖緊螺帽	[MR]M35X1.5	2.00	ST
11.00	NV 00002660114	BEARING, BALL SCREW SUPPORT	滾珠導桿斜角滾珠軸承	[NSK]35TAC72BDFFC10PN7B (4PCS/	1.00	ST
12.00	NV 00032530104	TAPER PIN	斜銷	D8X60L	4.00	ST
13.00	NV 00002660115	BEARING, BALL SCREW SUPPORT	滾珠導桿斜角滾珠軸承	[NSK]35TAC72BDFDC10PN7B (3PCS/	1.00	ST
14.00	NVA000691600D	BUMPER	止動環	D85XD47XL47	2.00	ST
15.00	NV 000190201D	BALL SCREW, Z-AXIS	Z軸滾珠導螺桿	[PM]JR45-12D1-FDWE-960-1265-C3	1.00	ST

REV	DESCRIPTION	DATE	ECN
A	初版 DRAWING	08/07/24	236
B	#30V 0017920D-AN/AM17920D 0808/251975	0808/251975	



MODEL: GX 1300/1600	PART NUMBER	GX 000004702DC
PART NAME	Z-0X15 TRANSMISSION(SIEMENS/HEIDENHAIN)	PAGE 1 OF 1
Z 軸傳動(SIEMENS/HEIDENHAIN)	DATE 2006/10/24	REV. B
SCALE 1:15		

# PRODUCT BOM MASTER AND SUB-ITEMS LIST

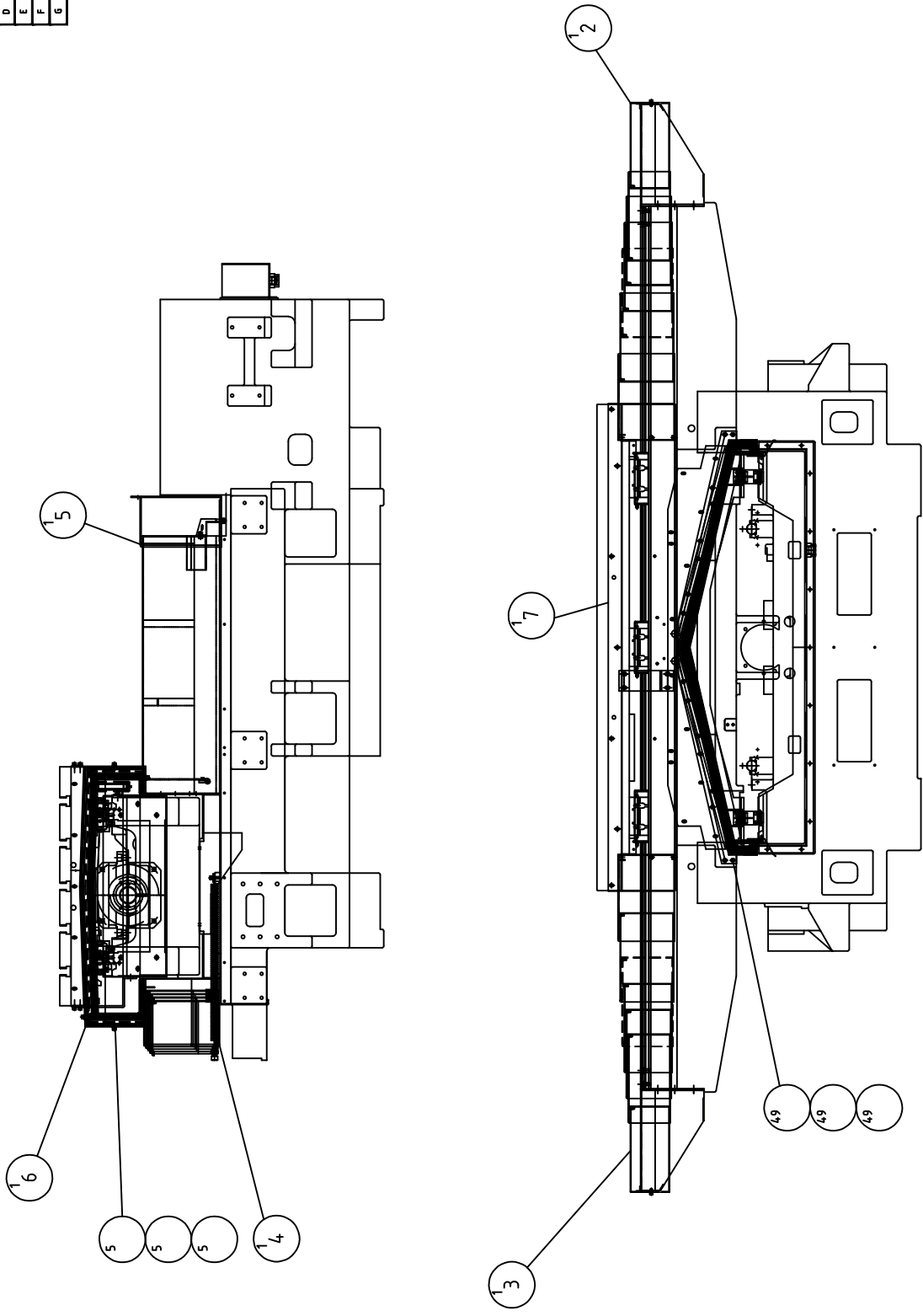
\*\*\*\*\*

Master Item Part NO.: GX 000004702DC

Description: Z-AXIS TRANSMISSION(SIE/HEI)  
Z 軸傳動(SIEMENS/HEIDENHAIN)

Item	Part NO.	Description	中文名稱	Specification	Qty	Unit
1.00	MS 0104222	SOCKET HEAD CAP SCREW	六角穴圓頭螺絲	M12XP1.75XL40	4.00	EA
2.00	GX 001066103D	NUT BRACKET	Z軸螺帽支撐架	D176XD92XL78.5	1.00	EA
3.02	NVA001066101D	SEAT, MOTOR(S/HEI)D45	馬達座(S/HEI)D45	L254XW192XH270	1.00	ST
4.01	NVA001117600D	HOUSING, BEARING(D45)	XYZ軸承座(D45)	L172XW101XH71	1.00	ST
5.00	NV 000179920D	SPACER, SUPPORT BRG(HI-TORQUE)	間隔圈(高扭力)	D60XD35XL25	1.00	ST
6.00	NVA000179902D	SPACER	間隔圈	D50XD35XL25	1.00	ST
7.00	NVA001011554D	COVER,BALLSCREW	軸承座蓋	D100XD50.5XL20	1.00	ST
8.00	NV 001011508D	COVER,BALLSCREW	馬達座蓋	D102XD56XL21.5	1.00	ST
9.02	NVA001179205D	COUPLING, 1FK7101(XYZ-AXIS)	聯軸器(XYZ-AXIS)	[D.K] GS3820 D30X38(D32)	1.00	EA
10.00	NV 000049220D	LOCKNUT	鎖緊螺帽	[MR]M35X1.5	2.00	ST
11.00	NV 00002660114	BEARING, BALL SCREW SUPPORT	滾珠導桿斜角滾珠軸承	[NSK]35TAC72BDFFC10PN7B (4PCS/	1.00	ST
12.00	NV 00032530104	TAPER PIN	斜銷	D8X60L	4.00	ST
13.00	NV 00002660115	BEARING, BALL SCREW SUPPORT	滾珠導桿斜角滾珠軸承	[NSK]35TAC72BDFDC10PN7B (3PCS/	1.00	ST
14.00	NVA000691600D	BUMPER	止動環	D85XD47XL47	2.00	ST
15.00	NV 000190201D	BALL SCREW, Z-AXIS	Z軸滾珠導螺桿	[PMI]R45-12D1-FDWE-960-1265-C3	1.00	ST

REV	DESCRIPTION	DATE	ENR
A	初版	2006/7/31	
B	#2, #3, #6 修訂	2007/1/11	B95
C	修正 GXA-GX 新增 #8, #9	2007/7/9	B2
D	#5-GXA, 新增 #8, #9	2008/2/24	1116
E	#5 - 修正 GXA 支撐架方式	2008/6/10	1251
F	#5 - 修正 GXA 支撐架方式	2008/7/22	1370
G	修正 GXA 支撐架方式	2008/8/23	135



MODEL: GX 1300	PART NUMBER: GX 00004606D
PART NAME: X, Y - AXIS TELESCOPIC	PAGE: 1 OF 1
DATE: 2006/7/31	REV: G
SCALE: 1:20	

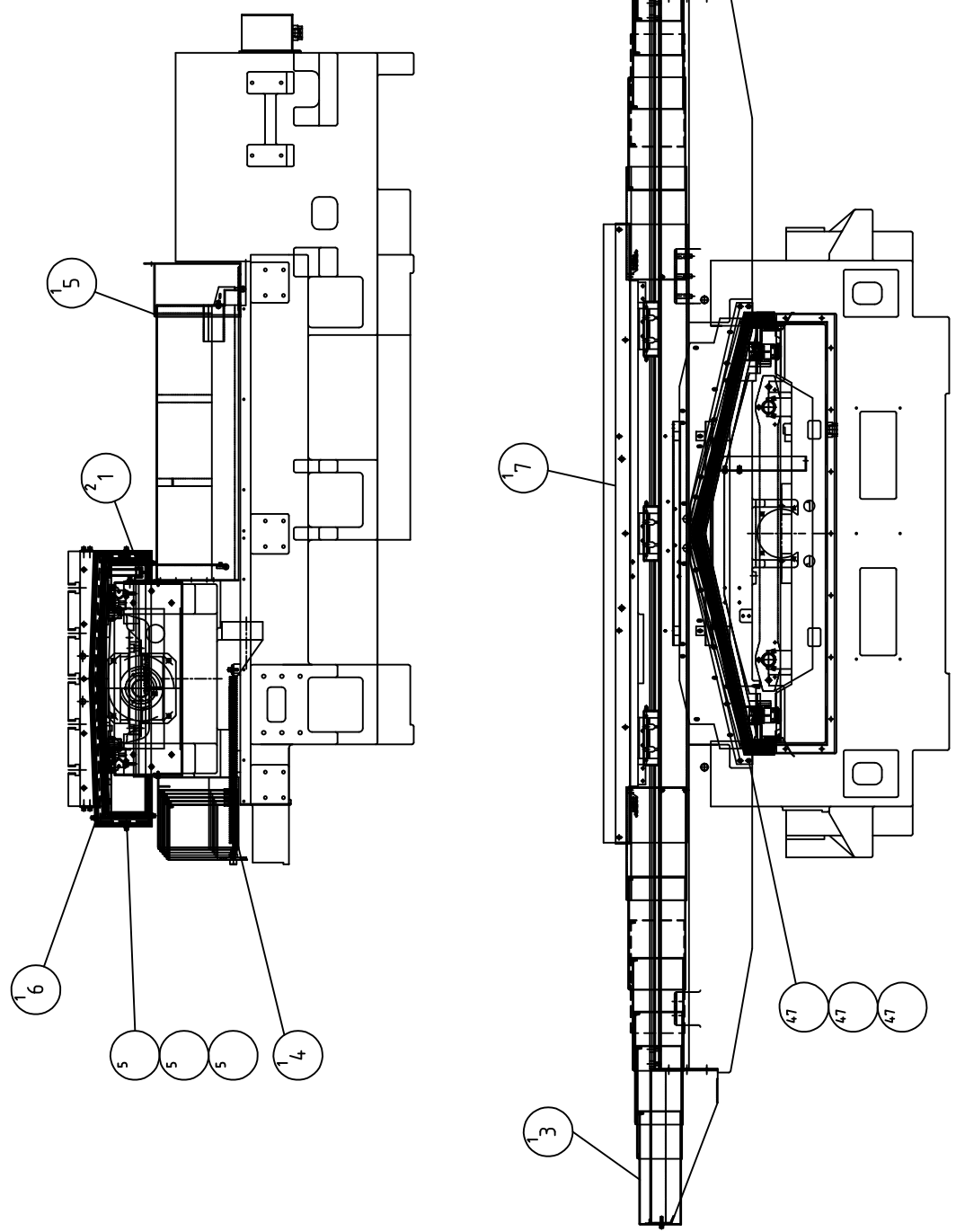
PRODUCT BOM MASTER AND SUB-ITEMS LIST  
\*\*\*\*\*

Master Item Part NO.: GX 000004606D

Description: X,Y-AXIS TELESCOPIC  
X,Y軸伸縮護蓋

Item	Part NO.	Description	中文名稱	Specification	Qty	Unit
2.05	GXB001011502D	WAYCOVER, X-AXIS RIGHT	X軸右伸縮護蓋	L1653.5XW760XH217	1.00	ST
3.04	GXB001011503D	WAYCOVER, X-AXIS LEFT	X軸左伸縮護蓋	L1653.5XW760XH217	1.00	ST
4.02	GX 001011504D	WAYCOVER, Y-AXIS FRONT	Y軸前伸縮護蓋	L1268XW898XH253	1.00	ST
5.05	GXB001011505D	WAYCOVER, Y-AXIS REAR	Y軸後伸縮護蓋	L1182XW872.7XH274	1.00	EA
6.02	GXB001011500D	COVER, X-AXIS FRONT	X軸前蓋板	L1425XW140XH217	1.00	EA
7.02	GXA001011501D	COVER, X-AXIS REAR	X軸後蓋板	L1425XW80XH219	1.00	ST

REV	DESCRIPTION	DATE	ENR
A	初版	2006/7/31	
B	井2, 井3, 井6, 井7, 井8, 井9	2006/7/31	895
C	井2, 井3, 井6, 井7, 井8, 井9	2006/7/31	982
D	井5-GX或GX A, 新增井8, 井9	2006/7/24	1116
E	井5-更改连接方式	2006/6/20	1251
F	井5-新增四孔连接方式	2006/7/22	1370
G	井5-更改GX A和GX A A-0200010500	8/23/12	135



MODEL: GX 1600	PART NUMBER: GX 00004606E
PART NAME: X, Y-AXIS TELESCOPIC	PAGE: 1 OF 1
DATE: 2006/7/31	SCALE: 1:20
	REV: G



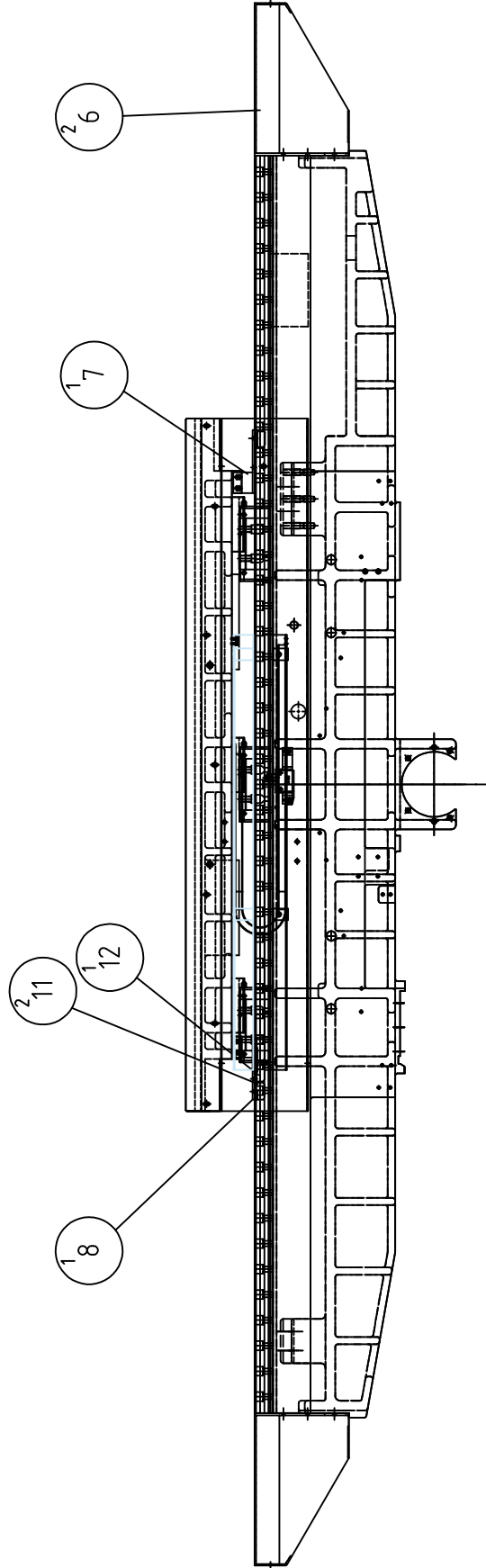
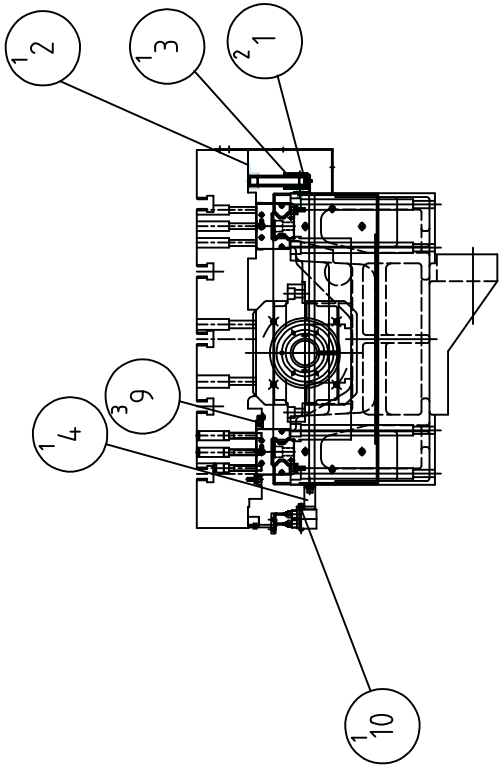
PRODUCT BOM MASTER AND SUB-ITEMS LIST  
\*\*\*\*\*

Master Item Part NO.: GX 000004606E

Description: X,Y-AXIS TELESCOPIC  
X,Y軸伸縮護蓋

Item	Part NO.	Description	中文名稱	Specification	Qty	Unit
1.00	MS 0103415	SOCKET HEAD CAP SCREW	六角穴圓頭螺絲	M4XP0.7XL10	2.00	EA
2.05	GXB001011502E	WAYCOVER, X-AXIS RIGHT	X軸右伸縮護蓋	L2002XW760XH217	1.00	ST
3.04	GXB001011503E	WAYCOVER, X-AXIS LEFT	X軸左伸縮護蓋	L2002XW760XH217	1.00	ST
4.02	GX 001011504D	WAYCOVER, Y-AXIS FRONT	Y軸前伸縮護蓋	L1268XW898XH253	1.00	ST
5.05	GXB001011505D	WAYCOVER, Y-AXIS REAR	Y軸後伸縮護蓋	L1182XW872.7XH274	1.00	EA
6.02	GXB001011500E	COVER, X-AXIS FRONT	X軸前蓋板	L1700XW219XH140	1.00	EA
7.02	GXA001011501E	COVER, X-AXIS REAR	X軸後蓋板	L1700XW219XH80	1.00	ST

REV	DESCRIPTION	DATE	CHK
A	車軸、X軸RA 35線路用RA 4.5	2008/5/1	982



MODEL: GX 1300	PART NUMBER: GXA000004607D
PART NAME: X-AXIS PLATE	PAGE: 1 OF 1
DATE: 2008/8/1	SCALE: 1:15
DATE: 2008/8/1	REV: A

PRODUCT BOM MASTER AND SUB-ITEMS LIST  
\*\*\*\*\*

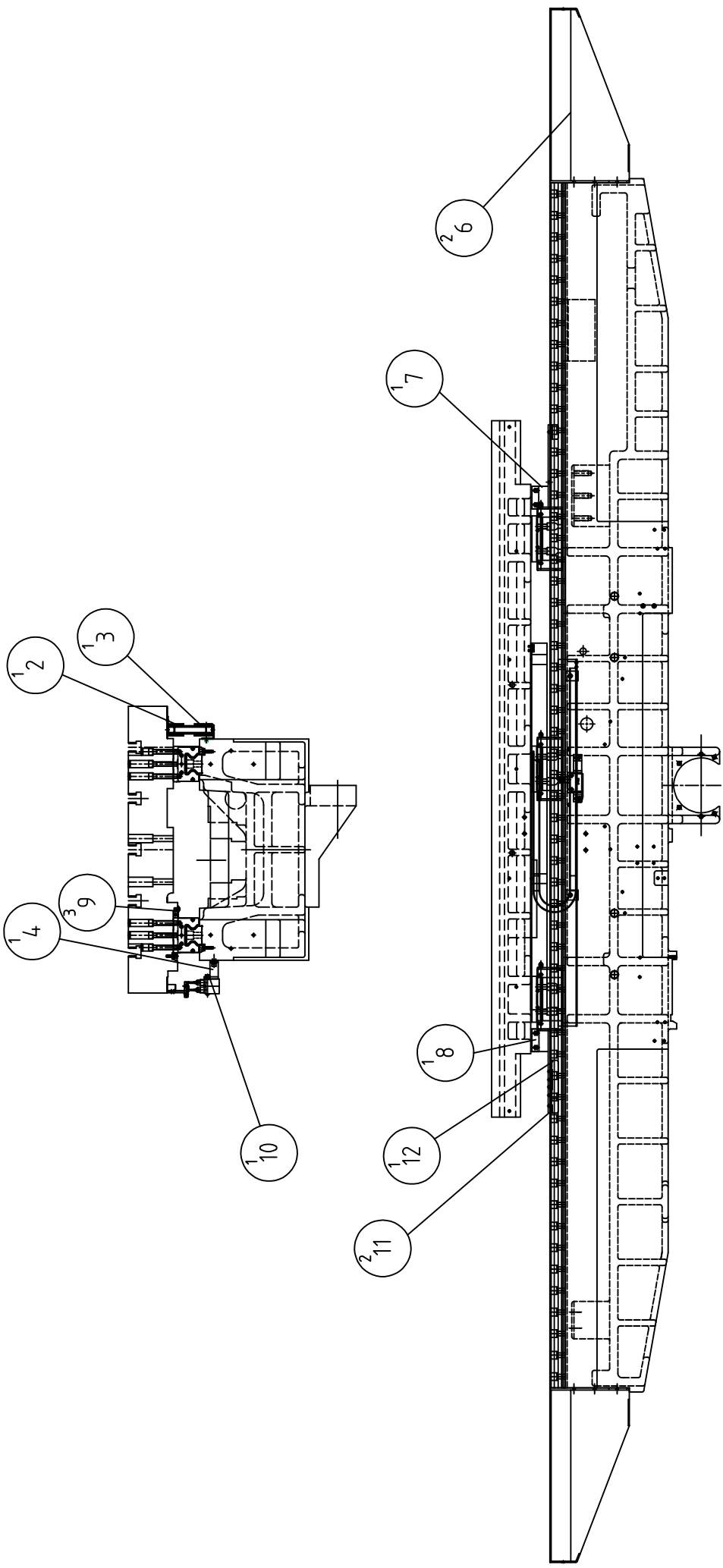
Master Item Part NO.: GXA000004607D

Description: X-AXIS SHEET METAL

X軸板金

Item	Part NO.	Description	中文名稱	Specification	Qty	Unit
1.00	MS 0103415	SOCKET HEAD CAP SCREW	六角穴圓頭螺絲	M4XP0.7XL10	2.00	EA
2.00	GX 000199005D	X-AXIS UTILITY CARRIER(UPPER)	X軸連動鏈座(上)	L615XW20XH47.3	1.00	ST
3.01	GXA000199006D	X-AXIS UTILITY CARRIER(BOTTOM)	X軸連動鏈座(下)	L895XW37XH46	1.00	ST
4.01	GXB000199013D	SEAT,X-AXIS LIMITE SWITCH	X軸極限開關座	L115XW45.5XH34.4	1.00	EA
6.00	GXA000199007D	SUPPORT, X-WAYCOVER	支撐架	L531XW314XH194	2.00	EA
7.01	GXB000199008D	SEAT,X-AXIS DOG	X軸定位塊座(右)	L130XW37XH33	1.00	EA
8.01	GXB000199009D	SEAT,X-AXIS DOG	X軸定位塊座(左)	L130XW37XH33	1.00	EA
9.00	NV 000199038D	RETAINER, GIB SHIM	壓板	L80XW27XH2	3.00	EA
10.00	NVA000199034A	PLATE	固定板	L45XW10XH5	1.00	EA
11.00	NV 000199023A	DOG	終點定位塊	L35XW19XH20	2.00	EA
12.00	NV 000199024A	ORIGN PLATE	原點定位塊		1.00	EA

REV	DESCRIPTION	DATE	CHK
A	車軸、X軸RA 35線路用RA 4.5	2008/5/1	982



MODEL: GX 1600	PART NUMBER: GXA000004607E
PART NAME: X-AXIS PLATE	PAGE: 1 OF 1
車軸板	REV: A
DATE: 2008/5/1	SCALE: 1:15
JARED TOM	

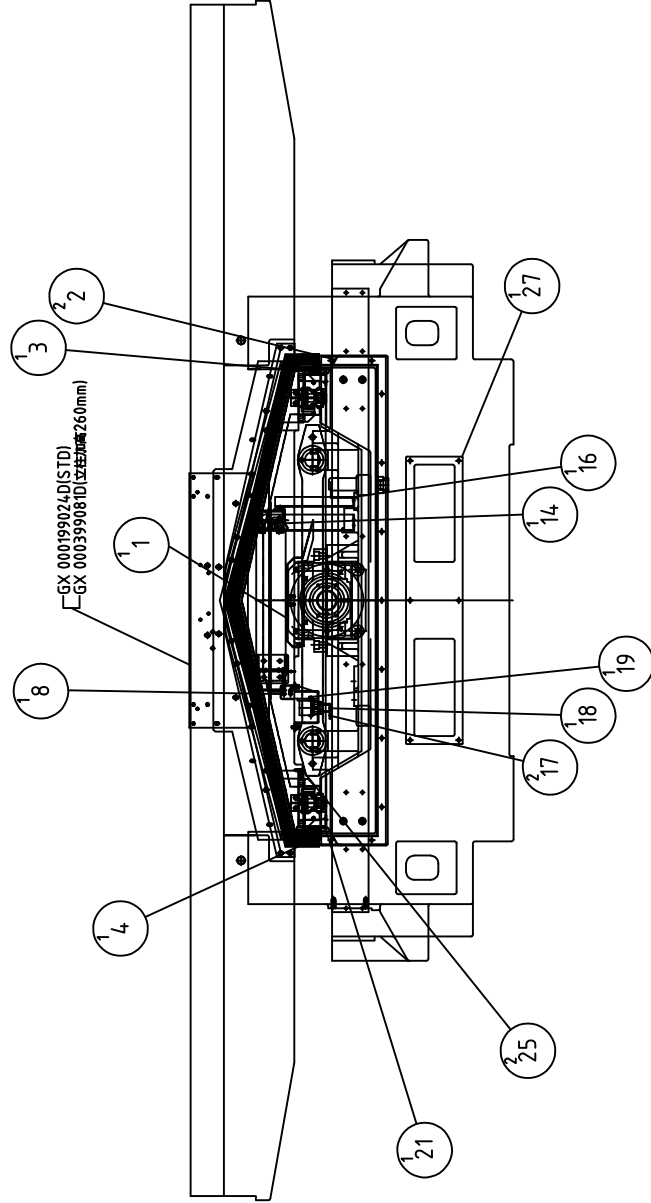
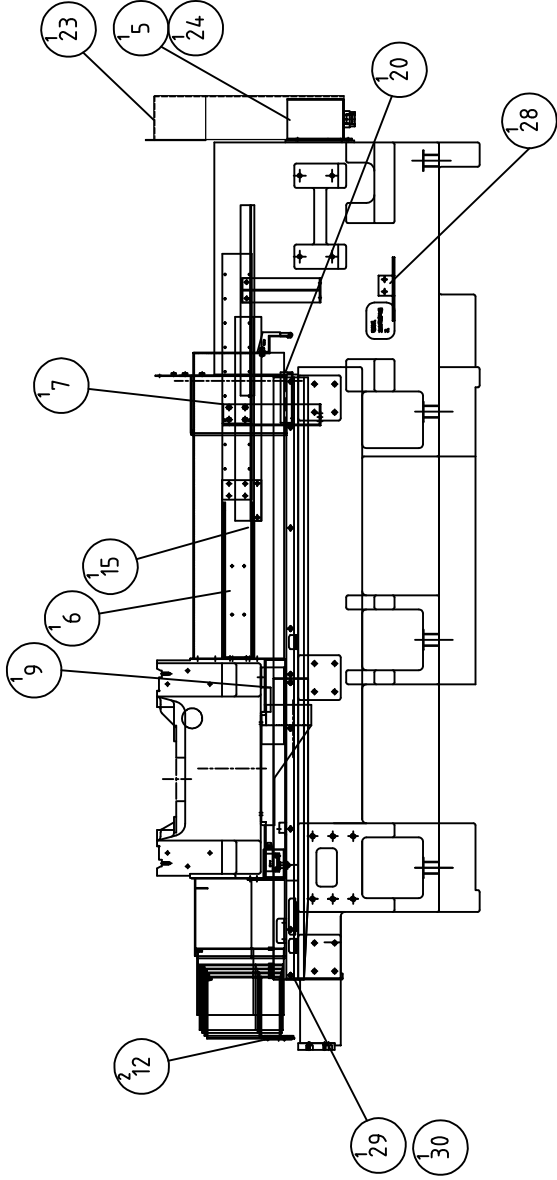
PRODUCT BOM MASTER AND SUB-ITEMS LIST  
\*\*\*\*\*

Master Item Part NO.: GXA000004607E

Description: X-AXIS SHEET METAL  
X軸板金

Item	Part NO.	Description	中文名稱	Specification	Qty	Unit
2.00	GX 000199005D	X-AXIS UTILITY CARRIER(UPPER)	X軸連動鏈座(上)	L615XW20XH47.3	1.00	ST
3.01	GXA000199006D	X-AXIS UTILITY CARRIER(BOTTOM)	X軸連動鏈座(下)	L895XW37XH46	1.00	ST
4.01	GXB000199013D	SEAT,X-AXIS LIMITE SWITCH	X軸極限開關座	L115XW45.5XH34.4	1.00	EA
6.00	GXA000199007E	SUPPORT, X-WAYCOVER	支撐架	L531XW426XH194	2.00	ST
7.01	GXB000199008E	SEAT,X-AXIS DOG	X軸定位塊(右)	L205XW37XH45	1.00	EA
8.01	GXB000199009E	SEAT,X-AXIS DOG	X軸定位塊(左)	L205XW37XH45	1.00	EA
9.00	NV 000199038D	RETAINER, GIB SHIM	壓板	L80XW27XH2	3.00	EA
10.00	NVA000199034A	PLATE	固定板	L45XW10XH5	1.00	EA
11.00	NV 000199023A	DOG	終點定位塊	L35XW19XH20	2.00	EA
12.00	NV 000199024A	ORIGN PLATE	原點定位塊		1.00	EA

REV	DESCRIPTION	DATE	ENR
A	新零件圖樣 A WING	2006/7/24	214
B	新零件圖樣 28 (電線字樣空)	2007/9/22	B 7 C
C	更改 20, 21 增加防塵蓋, 增加防塵蓋字樣	2006/6/24	125-1
D	更改 000199024-DISTD 增加防塵蓋字樣	2006/7/27	157 C
E	增加防塵蓋字樣 000199024-DISTD 增加防塵蓋字樣	2006/9/18	2023



MODEL: GX 1300/GX 1600	PART NUMBER: GX 00004608D
PART NAME: X, Y - AXIS TELESCOPIC	PAGE: 1 OF 1
DATE: 2006/11/24	SCALE: 1:20
REV: E	

# PRODUCT BOM MASTER AND SUB-ITEMS LIST

\*\*\*\*\*

Master Item Part NO.: GX 000004608D

Description: Y-AXIS SHEET METAL

Y軸板金

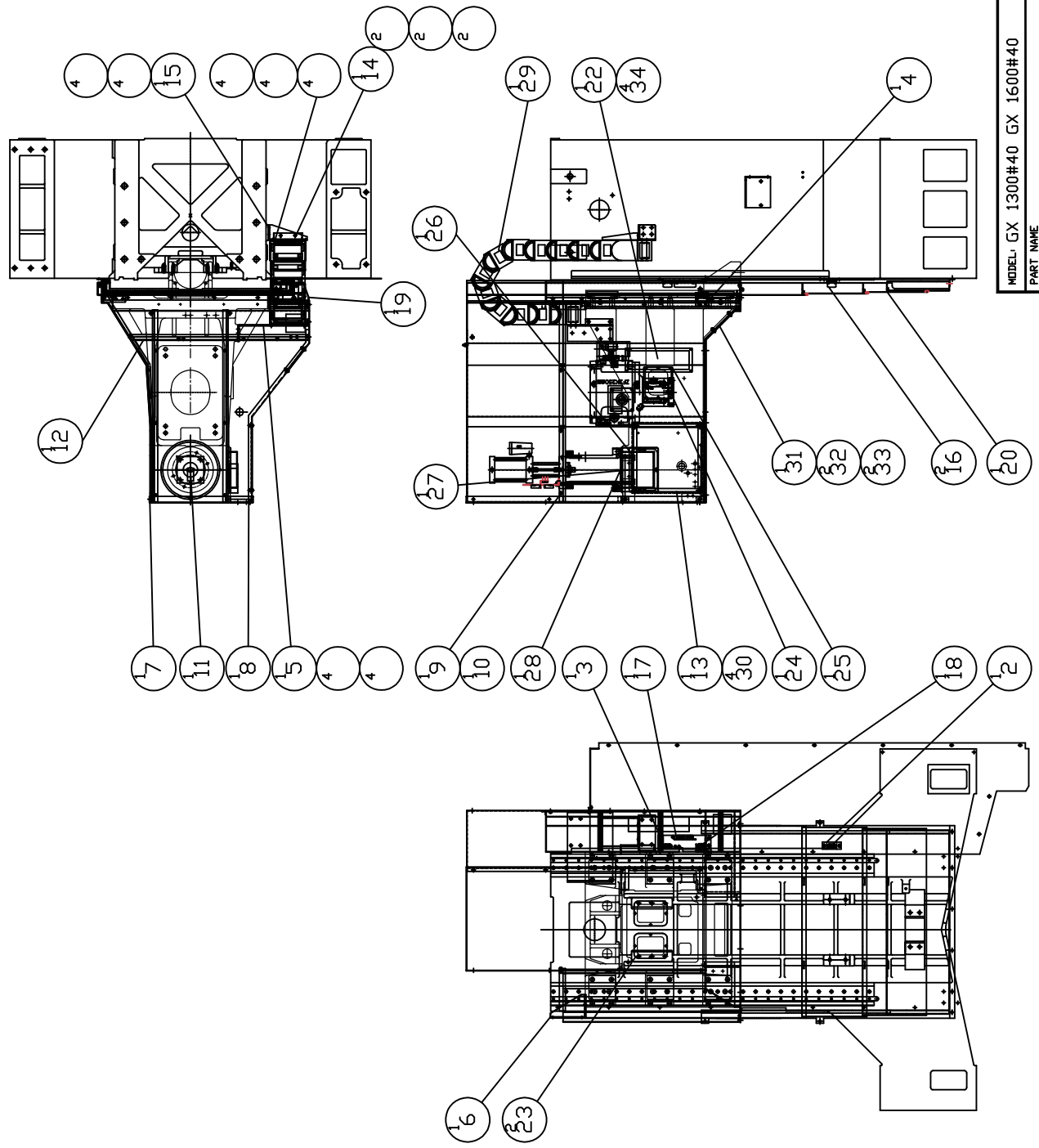
Item	Part NO.	Description	中文名稱	Specification	Qty	Unit
1.00	GXA001011544D	MOTOR COVER,Y-AXIS	Y軸馬達護蓋	L570XW289.8XH56.3	1.00	EA
2.01	GXA000199001D	SKIRT,Y-WAYCOVER	Y軸擋屑板	L743XW85.4XH44.1	2.00	EA
3.01	GXA000199003D	Y-AXIS TELESCOPIC(RIGHT)	Y軸伸縮護蓋側板(右側)	L538*W42*H61	1.00	EA
4.01	GXA000199004D	Y-AXIS TELESCOPIC(LEFT)	Y軸伸縮護蓋側板(左側)	L538*W30*H58	1.00	EA
5.02	GX 000199010D	REAR SINK, BASE	底座後水槽	L1204XW160XH100	1.00	ST
6.02	GX 000199011D	BRACKET,Y-AXIS UTILITY CARRIER	Y軸連動鏈支架	L442XW80XH70	1.00	ST
7.00	GX 000199012D	BRACKET,Y-AXIS UTILITY CARRIER	Y軸連動鏈支架	L240XW52XH40	1.00	ST
8.00	GX 000199014D	SEAT,Y-AXIS SWITCH	Y軸微動開關座	L90XW75XH37	1.00	ST
9.00	GX 000199017D	WIRE RESTRAINED PLATE	Y軸集線板金	L190XW120XH57.7	1.00	ST
12.00	GX 000179900D	WASHER	墊圈	D70XD54XT3	2.00	ST
14.00	GX 000199026D	GUIDE,Y-AXIS UTILITY CARRIER	Y軸連動鏈導軌(右)	L470XW33.9XH48.1	1.00	ST
15.00	GX 000199027D	GUIDE,Y-AXIS UTILITY CARRIER	Y軸連動鏈導軌(左)	L503XW62XH51	1.00	ST
16.00	GX 000199028D	SUPPORT,UTILITY CARRIER GUIDE	Y連動鏈導軌支架	L195.6XW60XH25	1.00	ST
17.00	NV 000199023A	DOG	終點定位塊	L35XW19XH20	2.00	EA
18.00	NV 000199024A	ORIGN PLATE	原點定位塊		1.00	EA
19.00	NVA000199034A	PLATE	固定板	L45XW10XH5	1.00	EA
20.02	GX 000199002D	PLATE,Y-WAYCOVER REAR(RIGHT)	Y後擋屑板(右)	L122XW39XH15.2	1.00	ST
21.02	GX 000199029D	PLATE,Y-WAYCOVER REAR(LEFT)	Y後擋屑板(左)	L122XW39XH15.2	1.00	ST
23.03	GX 000299086D	REAR COVER, COLUMN	立柱後蓋板	L1230XW490.5XH110.3	1.00	EA
24.00	GX 00094310101	O-RING	O型油環	D3XL1410	1.00	ST

PRODUCT BOM MASTER AND SUB-ITEMS LIST  
\*\*\*\*\*

Item	Part NO.	Description	中文名稱	Specification	Qty	Unit
25.00	NV 000199038A	RETAINER, GIB SHIM	壓板	L76XW32XH2.3	2.00	EA
27.00	GX 000399007D	REAR PLATE,BASE	底座後蓋板	L710XW140XH2.3	1.00	ST
28.00	GX 000299021D	SUPPORT, ELECTRIC WIRE	電線支撐架	L157XW50XH40	1.00	EA
29.00	GX 000399003D	SKIRT,Y-WAYCOVER LEFT	Y軸擋屑板(左後)	L743XW85.4XH41.2	1.00	EA
30.00	GX 000399002D	SKIRT,Y-WAYCOVER RIGHT	Y軸擋屑板(右後)	L743XW85.4XH41.2	1.00	EA



REV	DESCRIPTION	DATE	ECN
1	REV 00099663 -> NVAM01599631	2006/9/4	219
A	REV 00004704 -> GX000004704	2006/9/4	219
B	GX 000199897 -> GX000199897	2007/10/28	784
C	REV 00015991 -> GX00015991	2007/12/28	970
D	REV 00015967 -> GX00015967	2008/12/1	1633
E	REV 00015967 -> GX00015967	2008/12/1	2028
F	REV 00015967 -> GX00015967	2009/12/21	2090
G	REV 00015967 -> GX00015967	2009/12/21	2090
H	REV 00015967 -> GX00015967	2009/12/21	2090
I	REV 00015967 -> GX00015967	2009/12/21	2090
J	REV 00015967 -> GX00015967	2009/12/21	2090



MODEL: GX 1300#40 GX 1600#40
PART NUMBER: GX 000004704D
PAGE: 1 OF 1
REV: J
DATE: 2006/9/4
SCALE: 1:25
KUBOTA
FORM
Z 株式会社

\*\*\*\*\*  
**PRODUCT BOM MASTER AND SUB-ITEMS LIST**  
 \*\*\*\*\*

Master Item Part NO.: GX 000004704D

Description: Z-AXIS SHEET METAL

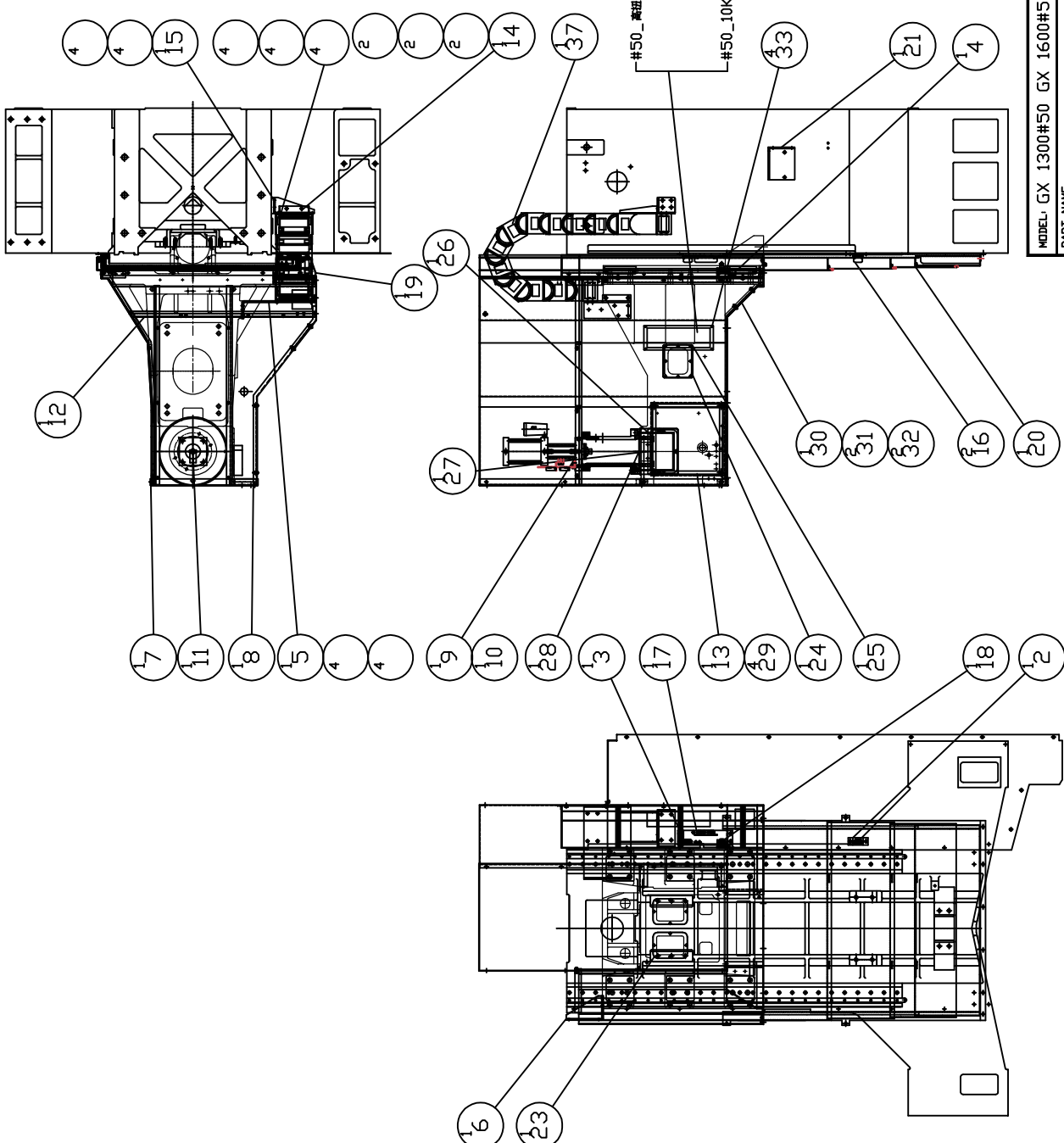
Z軸板金

Item	Part NO.	Description	中文名稱	Specification	Qty	Unit
2.00	GX 000199018D	BRACKET, SWITCH	換刀原點固定板	L79XW29XH15	1.00	ST
3.02	GX 000199019D	BRACKET, SWITCH	換刀原點固定板	L219XW58XH15	1.00	ST
4.01	GX 000199020D	X LIMITED SWITCH SEAT	Z軸極限開關座	L54.8XW52XH7.3	1.00	ST
5.03	GXA000199023D	BRACKET,Z-AXIS UTILITY CARRIER	Z軸連動鏈座	L295.4XW188XH94	1.00	EA
6.00	GX 001011507D	LEFT COVER,BRACKET	左蓋固定座	L147XW97XH30	1.00	ST
7.01	GX 000199088D	COVER,HEADSTOCK FRONT	主軸箱前蓋	L995.3XW431XH27.3	1.00	ST
8.08	GXC000199089D	COVER,HEADSTOCK RIGHT	主軸箱右側蓋	L1138XW836XH359.7	1.00	EA
9.00	GX 000199090D	COVER,HEADSTOCK LEFT	主軸箱左側蓋	L919.7XW738XH250	1.00	ST
10.00	GX 000199091D	COVER,HEADSTOCK LEFT	主軸箱左側蓋	L919.7XW400XH232.7	1.00	ST
11.00	GX 000199092D	COVER	蓋板	L796.7XW299XH147.3	1.00	ST
12.02	GXA000022113D	SUPPORTER ROD,HEADSTOCK COVER	主軸箱護蓋支撐板	23.3X30X736.6L	1.00	EA
13.02	NVB000599057A	COVER, HEADSTOCK	蓋板	L282XW282XH2.3	1.00	EA
14.00	NV 000599071A	SUPPORT,UTILITY CARRIER	連動鏈支撐架	L:150XW:120XH:30	1.00	EA
15.01	NV 000699099A	BRACKET, UTILITY CARRIER	連動鏈座	L154XW64XH70	1.00	EA
16.00	NV 000199023A	DOG	終點定位塊	L35XW19XH20	2.00	EA
17.00	NV 000199024A	ORIGN PLATE	原點定位塊		1.00	EA
18.00	NV 000199004A	DOG, ATC ORIGIN	換刀原點塊	L40XW24XH20	1.00	EA
19.02	GXA001011509D	COVER,HEADSTOCK RIGHT	主軸箱右蓋	L810XW118.7XH170.4	1.00	EA
20.03	GXA001011506D	WAYCOVER,Z-AXIS	Z軸伸縮護蓋	L1051.5XW840XH90	1.00	EA
22.01	NV 000999020A	COVER, HEADSTOCK	蓋板(主軸箱右側蓋)	L278XW124XH2.3	1.00	EA

\*\*\*\*\*  
**PRODUCT BOM MASTER AND SUB-ITEMS LIST**  
 \*\*\*\*\*

Item	Part NO.	Description	中文名稱	Specification	Qty	Unit
23.00	GX 000399049D	PLATE	蓋板	L137.5XW103XT2.3	2.00	ST
24.00	GX 000399050D	PLATE	蓋板	L131XW108XT2.3	1.00	ST
25.00	GX 000399051D	PLATE	蓋板	L131XW118XT2.3	1.00	ST
26.00	GX 000399052D	COVER	蓋板	L173XW108XH2.3	1.00	ST
27.04	GX 000399070D	COVER	蓋板	L183XW145XT2.3	1.00	EA
28.03	NV 000899067A	COVER, HEADSTOCK	主軸箱右側蓋	L183XW103XH2.3	1.00	EA
29.01	NVA001162300D	UTILITY CARRIER, Z-AXIS	Z軸連動護管	14240.12.135.0;11目 1目=91MM	1.00	ST
30.01	NV 000668433A	BUTTON HD SOCKET SCREW, M6	M6螺絲(配合CE續留螺絲用)	M6XP1XL16(六角穴半圓頭,牙長度:6,鍍鍍)	4.00	EA
31.00	NVA000999019A	COVER, HEADSTOCK	蓋板(主軸箱右側蓋)	L105XW88XH2.3	1.00	EA
32.00	MW 0183510	SPRING WASHER	彈簧墊圈	M5(HEAT TREATMENT)	2.00	EA
33.01	NV 000668433A	BUTTON HD SOCKET SCREW, M6	M6螺絲(配合CE續留螺絲用)	M6XP1XL16(六角穴半圓頭,牙長度:6,鍍鍍)	2.00	EA
34.01	NV 000668433A	BUTTON HD SOCKET SCREW, M6	M6螺絲(配合CE續留螺絲用)	M6XP1XL16(六角穴半圓頭,牙長度:6,鍍鍍)	4.00	EA
38.00	NV 00002340205	TWIN ADAPTER	固定雙接頭	JD-4(Ψ4 M8*P1.0)	1.00	EA

REV	DESCRIPTION	DATE	ECN
I	#5 NV 00099663 -> NV A001908931	2006/9/4	219
A	#5 GX 00099620 -> GX A001908931	2006/9/4	219
B	GX 0001908931 -> GX A001908931	2007/10/28	784
C	GX 0001908931 -> GX A001908931	2007/10/28	784
D	GX 0001908931 -> GX A001908931	2007/10/28	784
E	GX 0001908931 -> GX A001908931	2007/10/28	784
F	GX 0001908931 -> GX A001908931	2007/10/28	784
G	GX 0001908931 -> GX A001908931	2007/10/28	784
H	GX 0001908931 -> GX A001908931	2007/10/28	784



MODEL: GX 1300#50 GX 1600#50
PART NAME: Z-AXIS SHEET METAL
PART NUMBER: GX 000004704F
PAGE: 1 OF 1
REV: J
DATE: 2006/9/4
SCALE: 1:25

\*\*\*\*\*  
**PRODUCT BOM MASTER AND SUB-ITEMS LIST**  
 \*\*\*\*\*

Master Item Part NO.: GX 000004704F

Description: Z-AXIS SHEET METAL

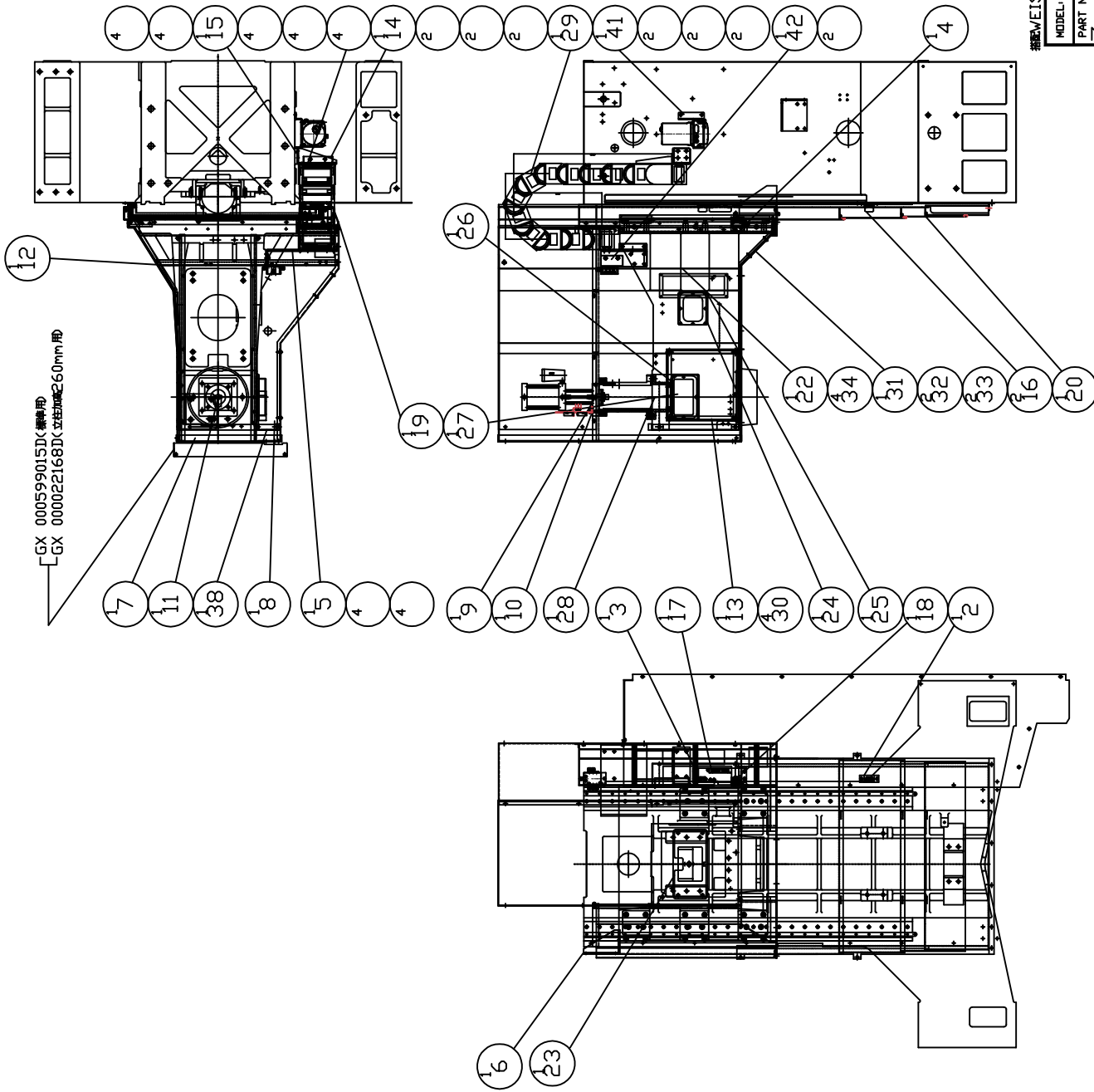
Z軸板金

Item	Part NO.	Description	中文名稱	Specification	Qty	Unit
2.00	GX 000199018D	BRACKET, SWITCH	換刀原點固定板	L79XW29XH15	1.00	ST
3.02	GX 000199019D	BRACKET, SWITCH	換刀原點固定板	L219XW58XH15	1.00	ST
4.01	GX 000199020D	X LIMITED SWITCH SEAT	Z軸極限開關座	L54.8XW52XH7.3	1.00	ST
5.03	GXA000199023D	BRACKET,Z-AXIS UTILITY CARRIER	Z軸連動鏈座	L295.4XW188XH94	1.00	EA
6.00	GX 001011507D	LEFT COVER,BRACKET	左蓋固定座	L147XW97XH30	1.00	ST
7.01	GX 000199088D	COVER,HEADSTOCK FRONT	主軸箱前蓋	L995.3XW431XH27.3	1.00	ST
8.07	GXC000199089D	COVER,HEADSTOCK RIGHT	主軸箱右側蓋	L1138XW836XH359.7	1.00	EA
9.00	GX 000199090D	COVER,HEADSTOCK LEFT	主軸箱左側蓋	L919.7XW738XH250	1.00	ST
10.00	GX 000199091D	COVER,HEADSTOCK LEFT	主軸箱左側蓋	L919.7XW400XH232.7	1.00	ST
11.00	GX 000199092F	COVER	蓋板	L796.7XW299XH147.3	1.00	ST
12.03	GXA000022113D	SUPPORTER ROD,HEADSTOCK COVER	主軸箱護蓋支撐板	23.3X30X736.6L	1.00	EA
13.02	NVB000599057A	COVER, HEADSTOCK	蓋板	L282XW282XH2.3	1.00	EA
14.00	NV 000599071A	SUPPORT,UTILITY CARRIER	連動鏈支撐架	L:150XW:120XH:30	1.00	EA
15.01	NV 000699099A	BRACKET, UTILITY CARRIER	連動鏈座	L154XW64XH70	1.00	EA
16.00	NV 000199023A	DOG	終點定位塊	L35XW19XH20	2.00	EA
17.00	NV 000199024A	ORIGN PLATE	原點定位塊		1.00	EA
18.00	NV 000199004A	DOG, ATC ORIGIN	換刀原點塊	L40XW24XH20	1.00	EA
19.03	GXA001011509D	COVER,HEADSTOCK RIGHT	主軸箱右蓋	L810XW118.7XH170.4	1.00	EA
20.03	GXA001011506D	WAYCOVER,Z-AXIS	Z軸伸縮護蓋	L1051.5XW840XH90	1.00	EA
23.00	GX 000399049D	PLATE	蓋板	L137.5XW103XT2.3	2.00	ST

\*\*\*\*\*  
**PRODUCT BOM MASTER AND SUB-ITEMS LIST**  
 \*\*\*\*\*

Item	Part NO.	Description	中文名稱	Specification	Qty	Unit
24.00	GX 000399050D	PLATE	蓋板	L131XW108XT2.3	1.00	ST
25.00	GX 000399051D	PLATE	蓋板	L131XW118XT2.3	1.00	ST
26.00	GX 000399052D	COVER	蓋板	L173XW108XH2.3	1.00	ST
27.04	GX 000399070D	COVER	蓋板	L183XW145XT2.3	1.00	EA
28.03	NV 000899067A	COVER, HEADSTOCK	主軸箱右側蓋	L183XW103XH2.3	1.00	EA
29.01	NV 000668433A	BUTTON HD SOCKET SCREW, M6	M6螺絲(配合CE續留螺絲用)	M6XP1XL16(六角穴半圓頭,牙長度:6,鍍鎳)	4.00	EA
30.00	NVA000999019A	COVER, HEADSTOCK	蓋板(主軸箱右側蓋)	L105XW88XH2.3	1.00	EA
31.00	MW 0183510	SPRING WASHER	彈簧墊圈	M5(HEAT TREATMENT)	2.00	EA
32.01	NV 000668433A	BUTTON HD SOCKET SCREW, M6	M6螺絲(配合CE續留螺絲用)	M6XP1XL16(六角穴半圓頭,牙長度:6,鍍鎳)	2.00	EA
33.01	NV 000668433A	BUTTON HD SOCKET SCREW, M6	M6螺絲(配合CE續留螺絲用)	M6XP1XL16(六角穴半圓頭,牙長度:6,鍍鎳)	1.00	EA
37.01	NVA001162300D	UTILITY CARRIER, Z-AXIS	Z軸連動護管	14240.12.135.0;11目1目=91MM	1.00	ST

REV	DESCRIPTION	DATE	ECN
A	2011/1/1	23-40	
B	2011/1/1	23-40	
C	2011/1/1	23-40	
D	2011/1/1	23-40	
E	2011/1/1	23-40	
F	2011/1/1	23-40	



WEISS & GTV 9K/12K-BELT  
 MODEL: GX 1300#40 GX 1600#40

PART NAME	Z-AXIS SHEET METAL
PART NUMBER	GX 000004705D
DATE	2011/1/1
PAGE	1 OF 1
REV.	F
SCALE	1:25

# PRODUCT BOM MASTER AND SUB-ITEMS LIST

\*\*\*\*\*

Master Item Part NO.: GX 000004705D

Description: Z-AXIS SHEET METAL

Z軸板金(BRIDGEPORT SPINDLE)

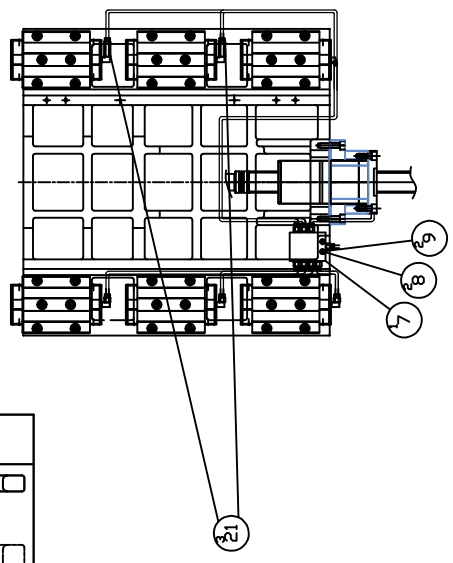
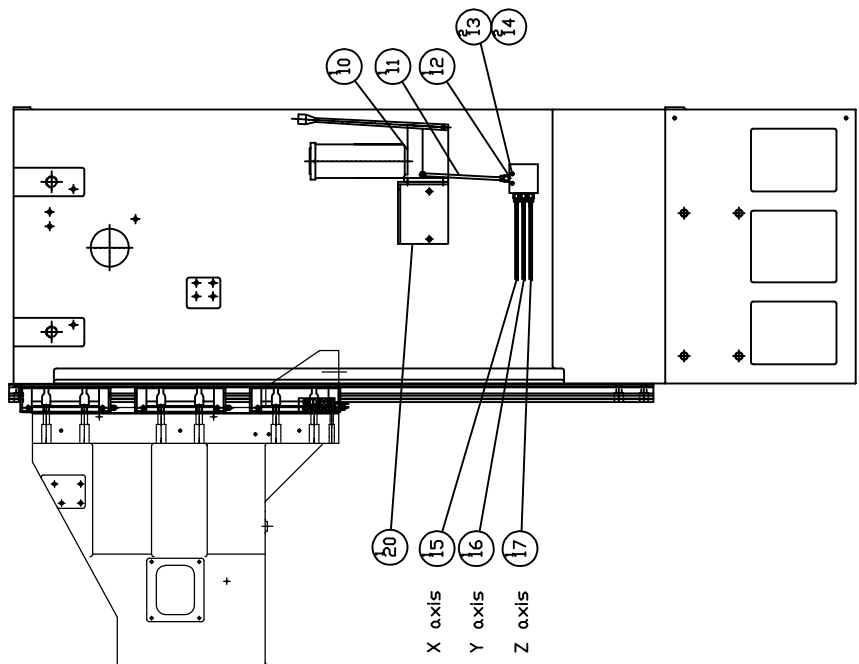
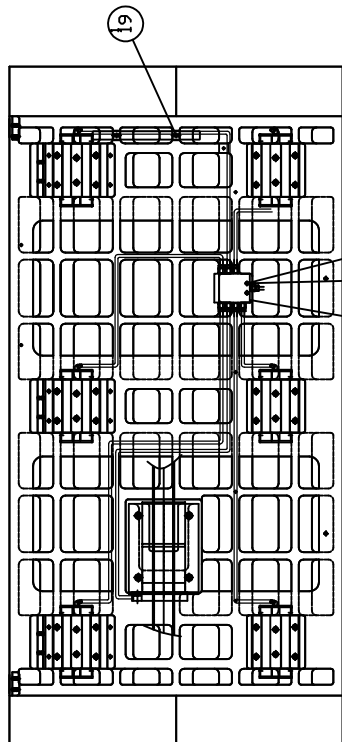
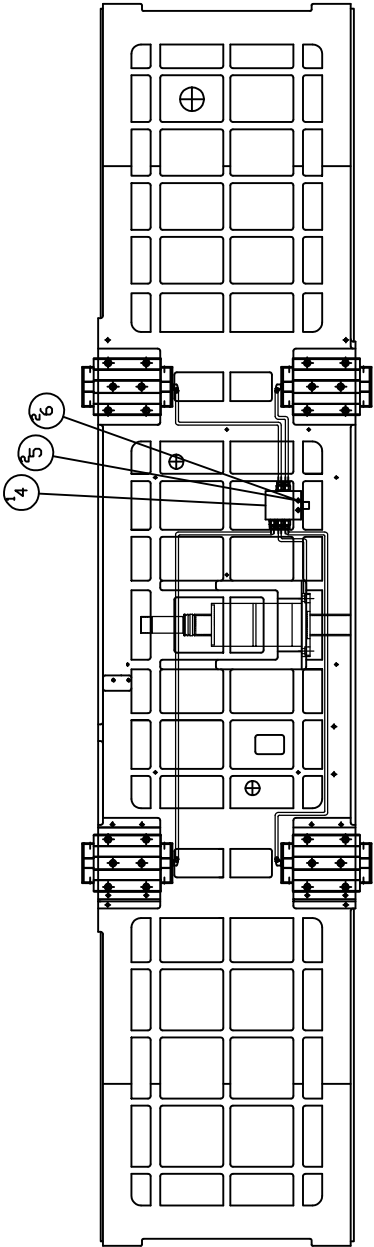
Item	Part NO.	Description	中文名稱	Specification	Qty	Unit
2.00	GX 000199018D	BRACKET, SWITCH	換刀原點固定板	L79XW29XH15	1.00	ST
3.00	GX 000199019D	BRACKET, SWITCH	換刀原點固定板	L219XW58XH15	1.00	ST
4.00	GX 000199020D	X LIMITED SWITCH SEAT	Z軸極限開關座	L54.8XW52XH7.3	1.00	ST
5.02	GXA000199023D	BRACKET,Z-AXIS UTILITY CARRIER	Z軸連動鏈座	L295.4XW188XH94	1.00	EA
6.00	GX 001011507D	LEFT COVER,BRACKET	左蓋固定座	L147XW97XH30	1.00	ST
7.01	GX 000199088D	COVER,HEADSTOCK FRONT	主軸箱前蓋	L995.3XW431XH27.3	1.00	EA
8.00	GX 000599016D	COVER,HEADSTOCK RIGHT	主軸箱右側蓋	L1138XW836XH359.7	1.00	ST
9.00	GX 000599020D	COVER,HEADSTOCK LEFT	主軸箱左側蓋	L919.7XW738XH250	1.00	ST
10.00	GX 000599025D	COVER, HEADSTOCK LEFT	主軸箱左側蓋	L965.7XW232.7XH400	1.00	ST
11.00	GX 000599019D	COVER	蓋板	L796.7XW299XH147.3	1.00	ST
12.02	GXA00022113D	SUPPORTER ROD,HEADSTOCK COVER	主軸箱護蓋支撐板	23.3X30X736.6L	1.00	EA
13.00	NVB000599057A	COVER, HEADSTOCK	蓋板	L282XW282XH2.3	1.00	EA
14.00	NV 000599071A	SUPPORT,UTILITY CARRIER	連動鏈支撐架	L:150XW:120XH:30	1.00	EA
15.00	NV 000699099A	BRACKET, UTILITY CARRIER	連動鏈座	L154XW64XH70	1.00	EA
16.00	NV 000199023A	DOG	終點定位塊	L35XW19XH20	2.00	EA
17.00	NV 000199024A	ORIGN PLATE	原點定位塊		1.00	EA
18.00	NV 000199004A	DOG, ATC ORIGIN	換刀原點塊	L40XW24XH20	1.00	EA
19.02	GXA001011509D	COVER,HEADSTOCK RIGHT	主軸箱右蓋	L810XW118.7XH170.4	1.00	EA
20.00	GXA001011506D	WAYCOVER,Z-AXIS	Z軸伸縮護蓋	L1051.5XW840XH90	1.00	EA



\*\*\*\*\*  
**PRODUCT BOM MASTER AND SUB-ITEMS LIST**  
 \*\*\*\*\*

Item	Part NO.	Description	中文名稱	Specification	Qty	Unit
22.00	NV 000999020A	COVER, HEADSTOCK	蓋板(主軸箱右側蓋)	L278XW124XH2.3	1.00	EA
23.00	1500101502	PLATE	主軸頭前封蓋	SS41 4.5T 染黑(XR 1000)	1.00	ST
24.00	GX 000399050D	PLATE	蓋板	L131XW108XT2.3	1.00	ST
25.00	GX 000399051D	PLATE	蓋板	L131XW118XT2.3	1.00	ST
26.00	GX 000399052D	COVER	蓋板	L173XW108XH2.3	1.00	ST
27.03	GX 000399105D	COVER	蓋板	L183XW109XT2.3	1.00	EA
28.02	NV 000899067A	COVER, HEADSTOCK	主軸箱右側蓋	L183XW103XH2.3	1.00	EA
29.01	NVA001162300D	UTILITY CARRIER, Z-AXIS	Z軸連動護管	14240.12.135.0;11目 1目=91MM	1.00	ST
31.00	NVA000999019A	COVER, HEADSTOCK	蓋板(主軸箱右側蓋)	L105XW88XH2.3	1.00	EA
32.00	MW 0183510	SPRING WASHER	彈簧墊圈	M5(HEAT TREATMENT)	2.00	EA
33.00	NV 000668433A	BUTTON HD SOCKET SCREW, M6	M6螺絲(配合CE續留螺絲用)	M6XP1XL16(六角穴半圓頭,牙長度:6,鍍鍍)	2.00	EA
34.00	NV 000668433A	BUTTON HD SOCKET SCREW, M6	M6螺絲(配合CE續留螺絲用)	M6XP1XL16(六角穴半圓頭,牙長度:6,鍍鍍)	4.00	EA
38.00	GX 000599021D	BRACKET, LEFT PLATE, HEADSTOCK	主軸箱左側蓋支撐架	L355XW90XH23	1.00	EA
41.00	GX 000599031D	SEAT	油罐支撐座	L147XW106XH50	1.00	EA
42.00	GX 000599030D	SEAT	分配器座	L90XW50XH45	1.00	EA

REV	DESCRIPTION	DATE	ECN
A	ADD #1 S	2006/1/7	986
B	REVISION	2006/2/18	1111-4
C	REVISED	2011/10/25	271E



X axis  
Y axis  
Z axis

MODEL: GX 1300/GX 1600	
PART NAME	PART NUMBER
X,Y,Z AXIS LUBRICATION SYSTEM	GX 000004715D
X,Y,Z 潤滑系統	PAGE 1 OF 1
DATE 2007/4/1	REV. C
SCALE 1:17	
KURT VIN PHIL	

# PRODUCT BOM MASTER AND SUB-ITEMS LIST

\*\*\*\*\*

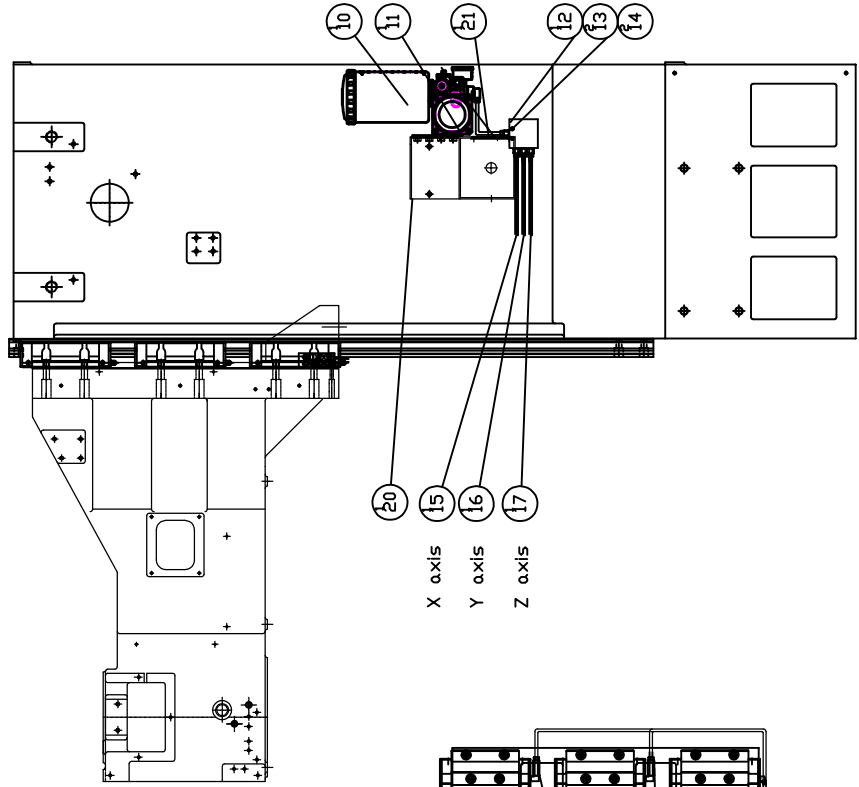
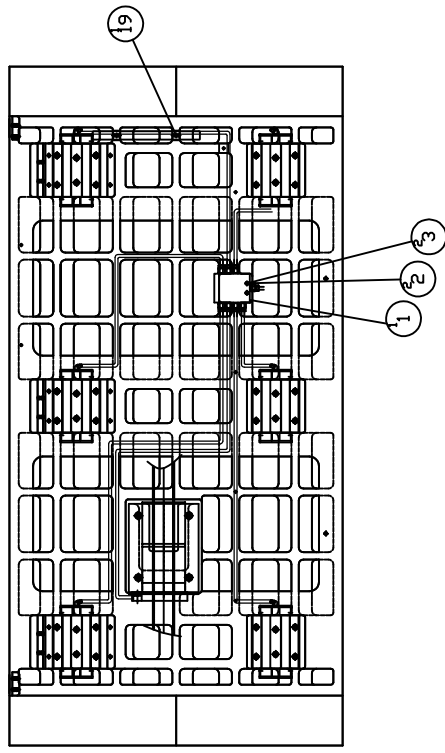
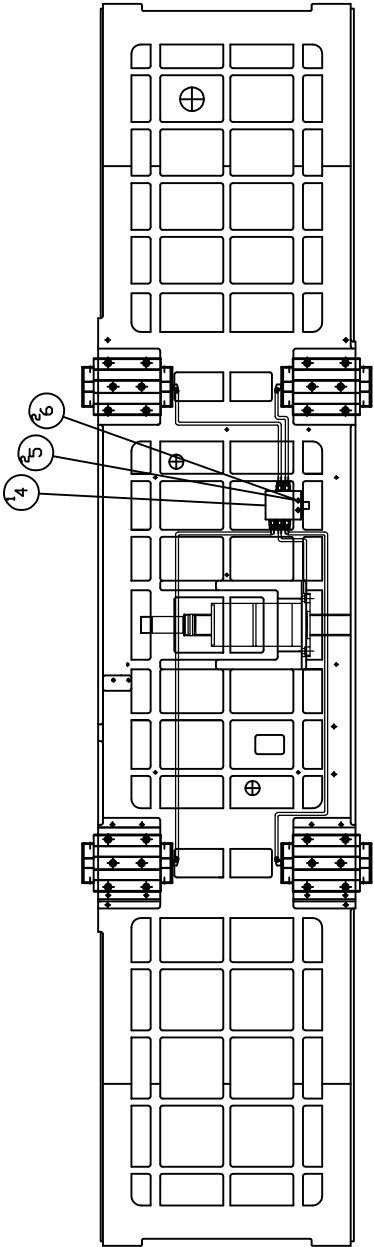
Master Item Part NO.: GX 000004715D

Description: X,Y,Z AXIS LUBRICATION SYSTEM

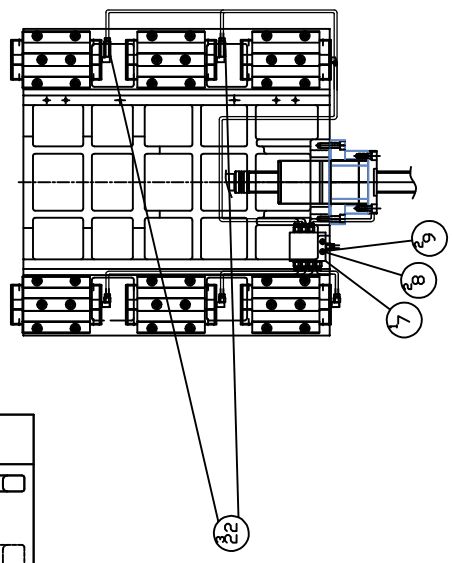
X,Y,Z潤滑系統

Item	Part NO.	Description	中文名稱	Specification	Qty	Unit
1.00	NV 00002340108	CV-8 DISTRIBUTOR	CV-8單一循環分配器	CV-8 入D6-出D6,7 HOLE,90° 接頭	1.00	EA
2.00	MS 0103618	SOCKET HEAD CAP SCREW	六角穴圓頭螺絲	M6XP1.0XL20	2.00	EA
3.00	MW 0183610	SPRING WASHER	彈簧墊圈	M6(HEAT TREATMENT)	2.00	EA
4.00	BL 00002340113	CV-6 DISTRIBUTOR	CV-6單一循環分配器	CV-6 入D6-出D6,5 HOLE,直接頭	1.00	EA
5.00	MS 0103618	SOCKET HEAD CAP SCREW	六角穴圓頭螺絲	M6XP1.0XL20	2.00	EA
6.00	MW 0183610	SPRING WASHER	彈簧墊圈	M6(HEAT TREATMENT)	2.00	EA
7.00	NV 00002340108	CV-8 DISTRIBUTOR	CV-8單一循環分配器	CV-8 入D6-出D6,7 HOLE,90° 接頭	1.00	EA
8.00	MS 0103618	SOCKET HEAD CAP SCREW	六角穴圓頭螺絲	M6XP1.0XL20	2.00	EA
9.00	MW 0183610	SPRING WASHER	彈簧墊圈	M6(HEAT TREATMENT)	2.00	EA
10.00	NV 000023402A	MANUAL GREASE INJECTION	CLHP-40-1手動黃油注油器	CLHP-40-1	1.00	EA
11.00	NV 00070070609	NYLON TUBING, HIGH PRESSURE	超高壓尼龍油管	R200-02,M10XP1.0XL0.6MX2SIDE	1.00	EA
12.00	NV 00002340111	CV-6 DISTRIBUTOR	CV-6單一循環分配器	CV-6 入D6-出D6,3 HOLE,直接頭	1.00	EA
13.00	MS 0103618	SOCKET HEAD CAP SCREW	六角穴圓頭螺絲	M6XP1.0XL20	2.00	EA
14.00	MW 0183610	SPRING WASHER	彈簧墊圈	M6(HEAT TREATMENT)	2.00	EA
15.01	NV 00070070618	NYLON TUBING, HIGH PRESSURE	超高壓尼龍油管	R200-02,M10XP1.0XL7.2MX2SIDE	1.00	EA
16.00	NV 00070070610	NYLON TUBING, HIGH PRESSURE	超高壓尼龍油管	R200-02,M10XP1.0XL6.4MX2SIDE	1.00	EA
17.00	NV 00070070611	NYLON TUBING, HIGH PRESSURE	超高壓尼龍油管	R200-02,M10XP1.0XL2.6MX2端	1.00	EA
19.00	GX 000499009D	PLATE	油管壓板	L225XW18XH2.3	1.00	EA
20.00	NVB000599032A	OIL INLET BRACKET	注油器固定座	L235XW130XH246	1.00	EA
21.00	NV 00077031247	BUSHING FITTING	表接頭(加長)	PT1/8(M)XPT1/8(F)-L:60MM	3.00	EA

REV	DESCRIPTION	DATE	ECN
A	新構	2013/12/25	1003539



X axis  
Y axis  
Z axis



MODEL: GX 1300/GX 1600	
PART NAME	PART NUMBER
X,Y,Z AXIS LUBRICATION SYSTEM (AUTD)	GX 000004716D
X,Y,Z 潤滑系統 自動集中打油	PAGE 1 OF 1
DATE 2013/12/25	SCALE 1:1
DRAWN GARY	REV. A

# PRODUCT BOM MASTER AND SUB-ITEMS LIST

\*\*\*\*\*

Master Item Part NO.: GX 000004716D

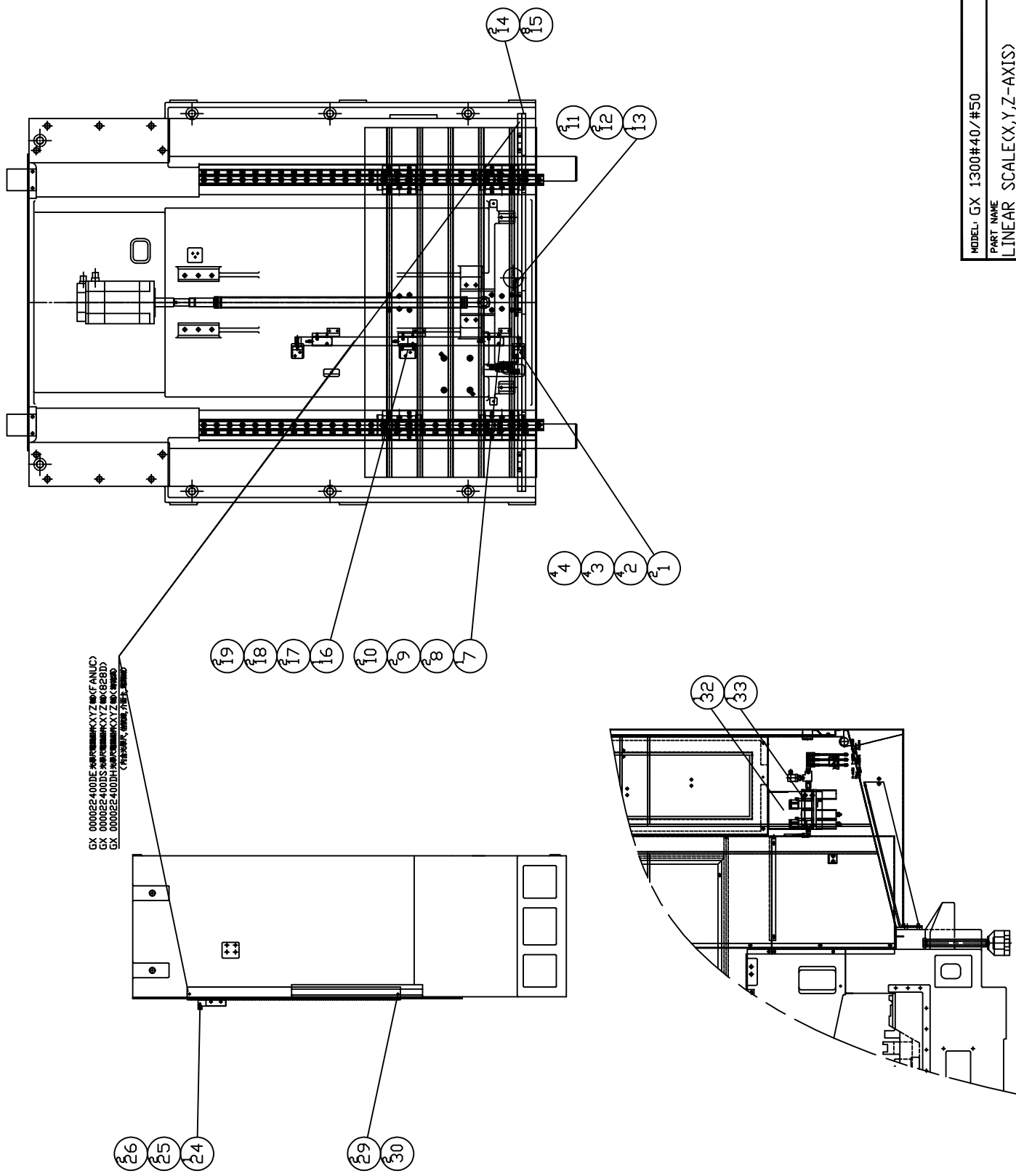
Description: X,Y,Z AXIS LUBRICATION (AUTO)  
X,Y,Z潤滑系統(自動集中打油)

Item	Part NO.	Description	中文名稱	Specification	Qty	Unit
1.00	NV 00002340108	CV-8 DISTRIBUTOR	CV-8單一循環分配器	CV-8 入D6-出D6,7 HOLE,90° 接頭	1.00	EA
2.00	MS 0103618	SOCKET HEAD CAP SCREW	六角穴圓頭螺絲	M6XP1.0XL20	2.00	EA
3.00	MW 0183610	SPRING WASHER	彈簧墊圈	M6(HEAT TREATMENT)	2.00	EA
4.00	BL 00002340113	CV-6 DISTRIBUTOR	CV-6單一循環分配器	CV-6 入D6-出D6,5 HOLE,直接頭	1.00	EA
5.00	MS 0103618	SOCKET HEAD CAP SCREW	六角穴圓頭螺絲	M6XP1.0XL20	2.00	EA
6.00	MW 0183610	SPRING WASHER	彈簧墊圈	M6(HEAT TREATMENT)	2.00	EA
7.00	NV 00002340108	CV-8 DISTRIBUTOR	CV-8單一循環分配器	CV-8 入D6-出D6,7 HOLE,90° 接頭	1.00	EA
8.00	MS 0103618	SOCKET HEAD CAP SCREW	六角穴圓頭螺絲	M6XP1.0XL20	2.00	EA
9.00	MW 0183610	SPRING WASHER	彈簧墊圈	M6(HEAT TREATMENT)	2.00	EA
10.00	BL 000023404A	AUTOMATIC GREASE INJECTION	KGC抵板式電動黃油注油機(入黃油嘴90度向外) <del>入黃油嘴90度向外</del>	入黃油嘴90度向外	1.00	EA
11.00	NV 00070070609	NYLON TUBING, HIGH PRESSURE	超高壓尼龍油管	R200-02,M10XP1.0XL0.6MX2SIDE	1.00	EA
12.00	NV 00002340111	CV-6 DISTRIBUTOR	CV-6單一循環分配器	CV-6 入D6-出D6,3 HOLE,直接頭	1.00	EA
13.00	MS 0103618	SOCKET HEAD CAP SCREW	六角穴圓頭螺絲	M6XP1.0XL20	2.00	EA
14.00	MW 0183610	SPRING WASHER	彈簧墊圈	M6(HEAT TREATMENT)	2.00	EA
15.00	NV 00070070618	NYLON TUBING, HIGH PRESSURE	超高壓尼龍油管	R200-02,M10XP1.0XL7.2MX2SIDE	1.00	EA
16.00	NV 00070070610	NYLON TUBING, HIGH PRESSURE	超高壓尼龍油管	R200-02,M10XP1.0XL6.4MX2SIDE	1.00	EA
17.00	NV 00070070611	NYLON TUBING, HIGH PRESSURE	超高壓尼龍油管	R200-02,M10XP1.0XL2.6MX2端	1.00	EA
19.00	GX 000499009D	PLATE	油管壓板	L225XW18XH2.3	1.00	EA
20.01	NVA00099032A	OIL INLET BRACKET(AUTO)	自動注油器固定座	L220XW235XH130	1.00	EA
21.01	NV 000999035A	COVER	蓋板	L81XW79XT2.3	1.00	EA

PRODUCT BOM MASTER AND SUB-ITEMS LIST  
\*\*\*\*\*

Item	Part NO.	Description	中文名稱	Specification	Qty	Unit
22.00	NV 00077031247	BUSHING FITTING	表接接頭(加長)	PT1/8(M)XPT1/8(F)-L:60MM	3.00	EA

REV	DESCRIPTION	DATE	ECN
A	新仕様	2006/9/1	212
B	機軸#14(GX-GXA)	2006/9/1	982
C	機軸#14(GX-GXB)	2006/9/1	121
D	機軸#24, 機軸介面調整	2006/11/3	26
E	增加#31, Z光學尺調整	2007/05/15	72
F	增加#24, #25, #26	2007/11/1	10352
G	機軸#31 GX 0005990011	2007/11/1	100395



MODEL: GX 1300#40/#50	PART NUMBER	GX 00022401D
PART NAME	LINEAR SCALE(X,Y,Z-AXIS)	光學尺XYZ軸
DATE	2006/9/1	SCALE 1:20
PAGE	1 OF 1	REV. G

# PRODUCT BOM MASTER AND SUB-ITEMS LIST

\*\*\*\*\*

Master Item Part NO.: GX 000022401D

Description: LINEAR SCALE(X,Y,Z AXIS)  
光學尺(X,Y,Z軸)

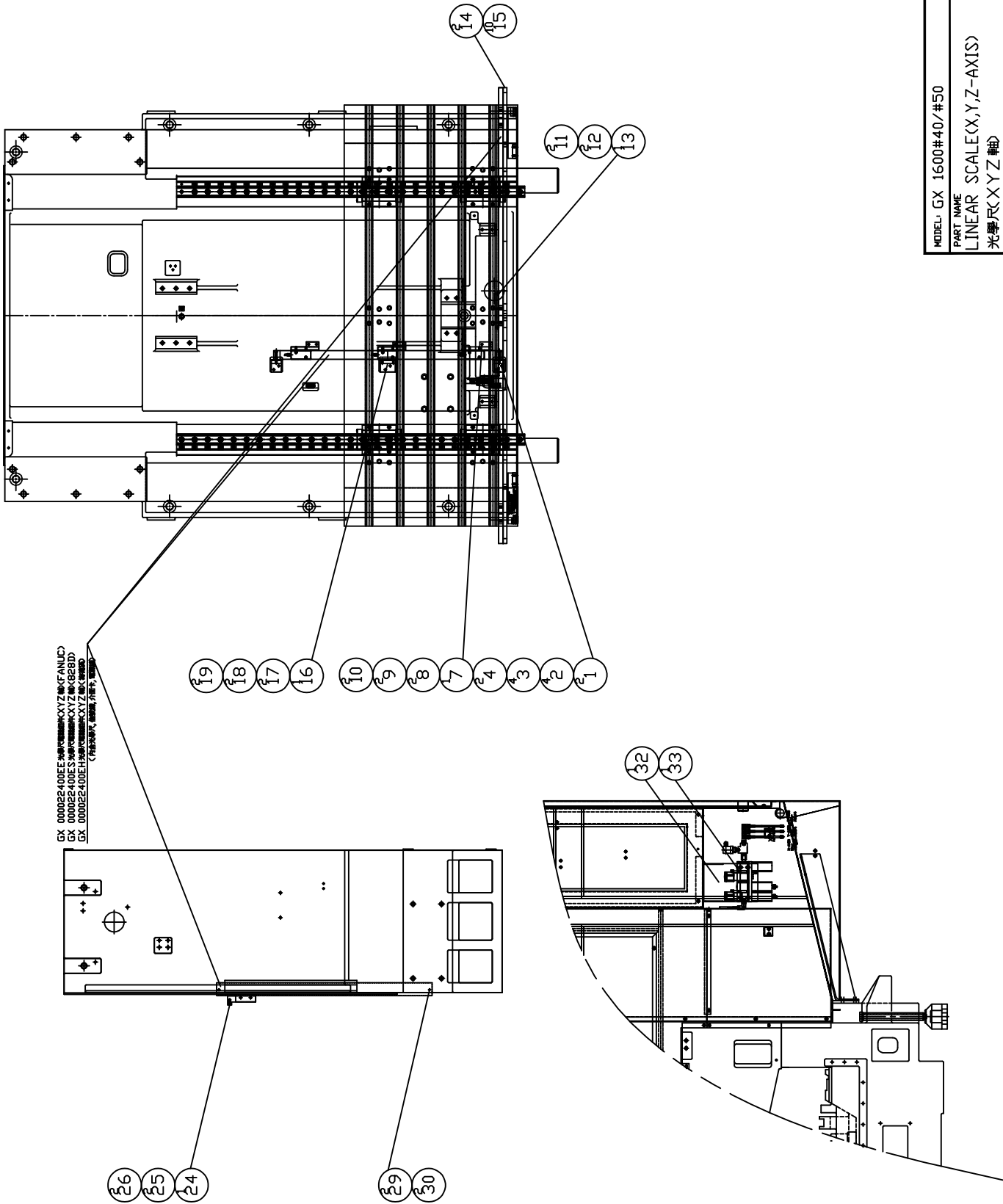
Item	Part NO.	Description	中文名稱	Specification	Qty	Unit
1.00	NV 001066123D	BRACKET, Y-AXIS LINEAR SCALE	Y軸光學尺座	L95XW50XH40	2.00	EA
2.00	MW 0183610	SPRING WASHER	彈簧墊圈	M6(HEAT TREATMENT)	4.00	EA
3.00	MS 0103619	SOCKET HEAD CAP SCREW	六角穴圓頭螺絲	M6XP1.0XL25	4.00	EA
4.00	MS 0103622	SOCKET HEAD CAP SCREW	六角穴圓頭螺絲	M6XP1.0XL40	4.00	EA
7.00	GX 001066105D	BRACKET, Y-AXIS LINEAR SCALE	Y軸讀頭座	L111.5XW94XH35	1.00	EA
8.00	MS 0103622	SOCKET HEAD CAP SCREW	六角穴圓頭螺絲	M6XP1.0XL40	2.00	EA
9.00	MS 0103619	SOCKET HEAD CAP SCREW	六角穴圓頭螺絲	M6XP1.0XL25	2.00	EA
10.00	MW 0183610	SPRING WASHER	彈簧墊圈	M6(HEAT TREATMENT)	2.00	EA
11.00	MS 0103418	SOCKET HEAD CAP SCREW	六角穴圓頭螺絲	M4XP0.7XL20	2.00	EA
12.00	MS 0103620	SOCKET HEAD CAP SCREW	六角穴圓頭螺絲	M6XP1.0XL30	2.00	EA
13.00	GX 001066104D	BRACKET, X-AXIS LINEAR SCALE	X軸讀頭座	L150XW13XH8	1.00	EA
14.02	GXB001066106D	BRACKET, X-AXIS SCALE	X軸光學尺固定座	L770XW50XH15	2.00	EA
15.00	MS 0103418	SOCKET HEAD CAP SCREW	六角穴圓頭螺絲	M4XP0.7XL20	8.00	EA
16.00	GX 001066107D	BRACKET, Y-AXIS LINEAR SCALE	Y軸光學尺座	L114XW60XH50	1.00	EA
17.00	MW 0183610	SPRING WASHER	彈簧墊圈	M6(HEAT TREATMENT)	2.00	EA
18.00	MS 0103619	SOCKET HEAD CAP SCREW	六角穴圓頭螺絲	M6XP1.0XL25	2.00	EA
19.00	MS 0103622	SOCKET HEAD CAP SCREW	六角穴圓頭螺絲	M6XP1.0XL40	2.00	EA
24.02	GX 001066109D	BRACKET,Z-AXIS LINEAR SCALE	Z軸光學尺讀頭座	L112.5XW37XH37.5	1.00	EA
25.00	MS 0103622	SOCKET HEAD CAP SCREW	六角穴圓頭螺絲	M6XP1.0XL40	2.00	ST



PRODUCT BOM MASTER AND SUB-ITEMS LIST  
\*\*\*\*\*

Item	Part NO.	Description	中文名稱	Specification	Qty	Unit
26.00	MW 0183610	SPRING WASHER	彈簧墊圈	M6(HEAT TREATMENT)	2.00	ST
29.00	MS 0103818	SOCKET HEAD CAP SCREW	六角穴圓頭螺絲	M8XP1.25XL20	2.00	EA
30.00	MW 0103810	FLAT WASHER	平墊圈	M8 (D8*D22.2)	2.00	EA
32.00	GXA000199101D	PLATE(PNEUMATIC PARTS)	固定板(氣壓組件)	L220XW153XH85	1.00	EA
33.01	NVA00107790124	FILTER	空氣過濾器	[HEIDENHAIN] DA-400	1.00	EA

REV	DESCRIPTION	DATE	ECN
A	新机型	2006/9/1	212
B	增加轴#14	2008/2/19	982
C	增加轴#24,修改介面图	2008/6/11	1328
D	增加轴42,Z光栅尺	2008/7/15	1572
E	增加轴#32,33	2014/11/10	100359
	增加轴#31	GX 0005990011	2015/11/11
			1003925



GX 00022401E 增加轴#XYZ轴(FANUC)  
GX 00022401E 增加轴#XYZ轴(SBBD)  
GX 00022401E 增加轴#XYZ轴(SBBD)  
(特殊要求, 轴端, 外轴孔)

MODEL: GX 1600#40/#50	PART NUMBER	GX 00022401E
PART NAME	LINEAR SCALE(X,Y,Z-AXIS)	光學尺XYZ軸
DATE	2006/9/1	SCALE 1:20
REV.	F	

# PRODUCT BOM MASTER AND SUB-ITEMS LIST

\*\*\*\*\*

Master Item Part NO.: GX 000022401E

Description: LINEAR SCALE(X,Y,Z AXIS)  
光學尺(X,Y,Z軸)

Item	Part NO.	Description	中文名稱	Specification	Qty	Unit
1.00	NV 001066123D	BRACKET, Y-AXIS LINEAR SCALE	Y軸光學尺座	L95XW50XH40	2.00	EA
2.00	MW 0183610	SPRING WASHER	彈簧墊圈	M6(HEAT TREATMENT)	4.00	EA
3.00	MS 0103619	SOCKET HEAD CAP SCREW	六角穴圓頭螺絲	M6XP1.0XL25	4.00	EA
4.00	MS 0103622	SOCKET HEAD CAP SCREW	六角穴圓頭螺絲	M6XP1.0XL40	2.00	EA
7.00	GX 001066105D	BRACKET, Y-AXIS LINEAR SCALE	Y軸讀頭座	L111.5XW94XH35	1.00	EA
8.00	MS 0103622	SOCKET HEAD CAP SCREW	六角穴圓頭螺絲	M6XP1.0XL40	2.00	EA
9.00	MS 0103619	SOCKET HEAD CAP SCREW	六角穴圓頭螺絲	M6XP1.0XL25	2.00	ST
10.00	MW 0183610	SPRING WASHER	彈簧墊圈	M6(HEAT TREATMENT)	2.00	ST
11.00	MS 0103418	SOCKET HEAD CAP SCREW	六角穴圓頭螺絲	M4XP0.7XL20	2.00	EA
12.00	MS 0103620	SOCKET HEAD CAP SCREW	六角穴圓頭螺絲	M6XP1.0XL30	2.00	EA
13.00	GX 001066104D	BRACKET, X-AXIS LINEAR SCALE	X軸讀頭座	L150XW13XH8	1.00	EA
14.01	GXA001066106E	BRACKET, X-AXIS SCALE	X軸光學尺固定座	L891XW50XH15	2.00	EA
15.00	MS 0103418	SOCKET HEAD CAP SCREW	六角穴圓頭螺絲	M4XP0.7XL20	10.00	EA
16.00	GX 001066107D	BRACKET, Y-AXIS LINEAR SCALE	Y軸光學尺座	L114XW60XH50	1.00	ST
17.00	MW 0183610	SPRING WASHER	彈簧墊圈	M6(HEAT TREATMENT)	2.00	EA
18.00	MS 0103619	SOCKET HEAD CAP SCREW	六角穴圓頭螺絲	M6XP1.0XL25	2.00	EA
19.00	MS 0103622	SOCKET HEAD CAP SCREW	六角穴圓頭螺絲	M6XP1.0XL40	2.00	EA
24.03	GX 001066109D	BRACKET,Z-AXIS LINEAR SCALE	Z軸光學尺讀頭座	L112.5XW37XH37.5	1.00	EA
25.00	MS 0103622	SOCKET HEAD CAP SCREW	六角穴圓頭螺絲	M6XP1.0XL40	2.00	EA

PRODUCT BOM MASTER AND SUB-ITEMS LIST  
\*\*\*\*\*

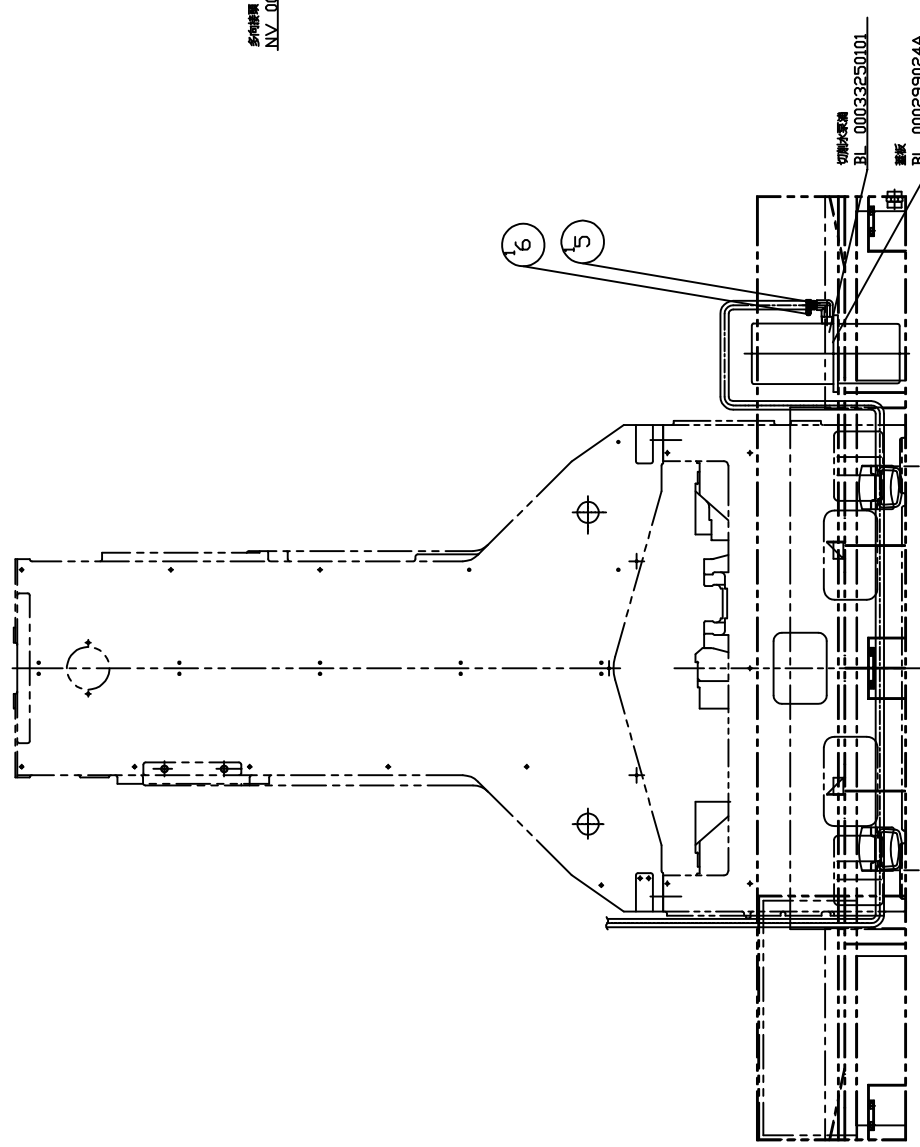
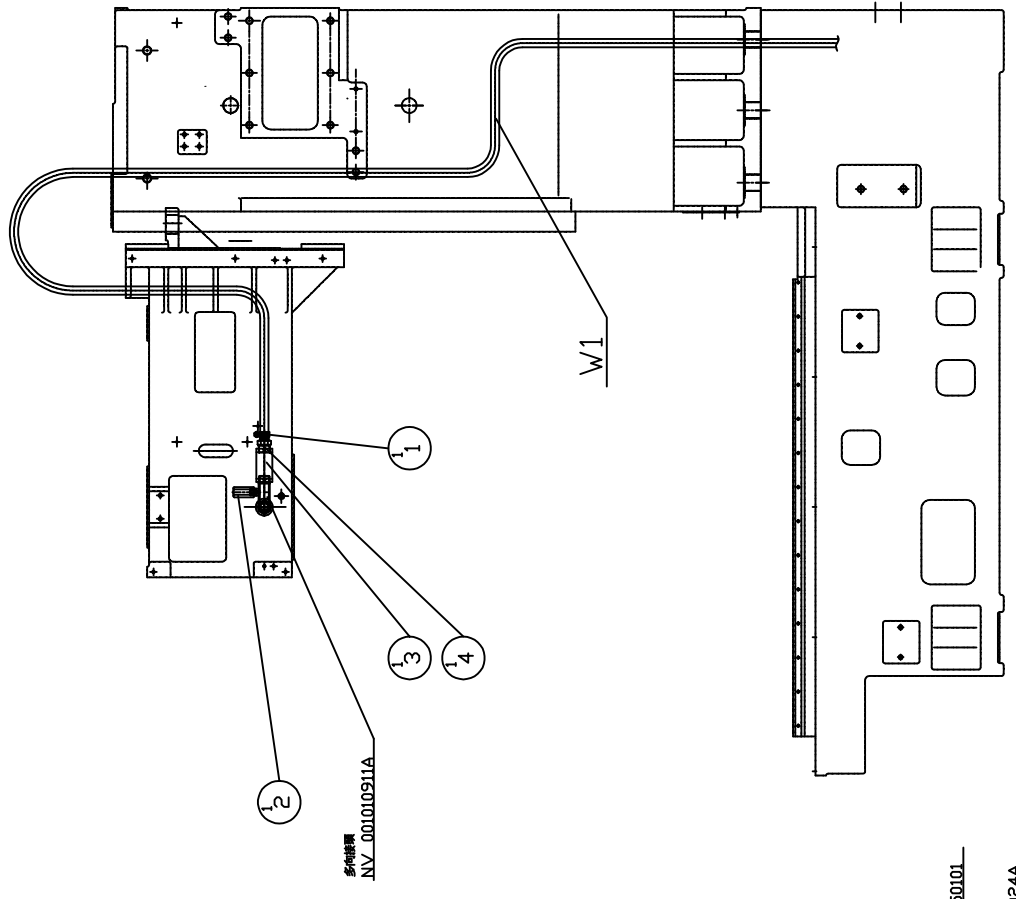
Item	Part NO.	Description	中文名稱	Specification	Qty	Unit
26.00	MW 0183610	SPRING WASHER	彈簧墊圈	M6(HEAT TREATMENT)	2.00	EA
29.00	MS 0103818	SOCKET HEAD CAP SCREW	六角穴圓頭螺絲	M8XP1.25XL20	2.00	EA
30.00	MW 0103810	FLAT WASHER	平墊圈	M8 (D8*D22.2)	2.00	EA
32.00	GXA000199101D	PLATE(PNEUMATIC PARTS)	固定板(氣壓組件)	L220XW153XH85	1.00	EA
33.01	NVA00107790124	FILTER	空氣過濾器	[HEIDENHAIN] DA-400	1.00	EA

# **Chapter 3**

切削水管路

**Piping Parts**

REV	DESCRIPTION	DATE	ECN
A	新增, 成裝管路接頭	202/07/16	1003108



物料料號 NV 000331061AX  
 母機料號 GX 000331058DX or GX 000331059DX  
 MODEL: GX 600/800/1000 & GX1300/1600#40,#50

PART NAME	PART NUMBER
STANDARD PIPPING<40 PSI>	NVA000331038A
一般切割水喉<40 PSI>成裝管路接頭	PAGE 1 OF 1
DATE 202/07/16	SCALE 1:19
REV. A	

標號	適用機型	料號	名稱	規格
W1	GX1300/1600	NV 00069650251	耐油橡膠管	3/4"-1BX8KG/CM2X7.4M
W1	GX600	BL 00069650115	耐油橡膠管	3/4"-1BX8KG/CM2X5.5M
	GX800/1000	BL 00069650115	耐油橡膠管	3/4"-1BX8KG/CM2X5.5M

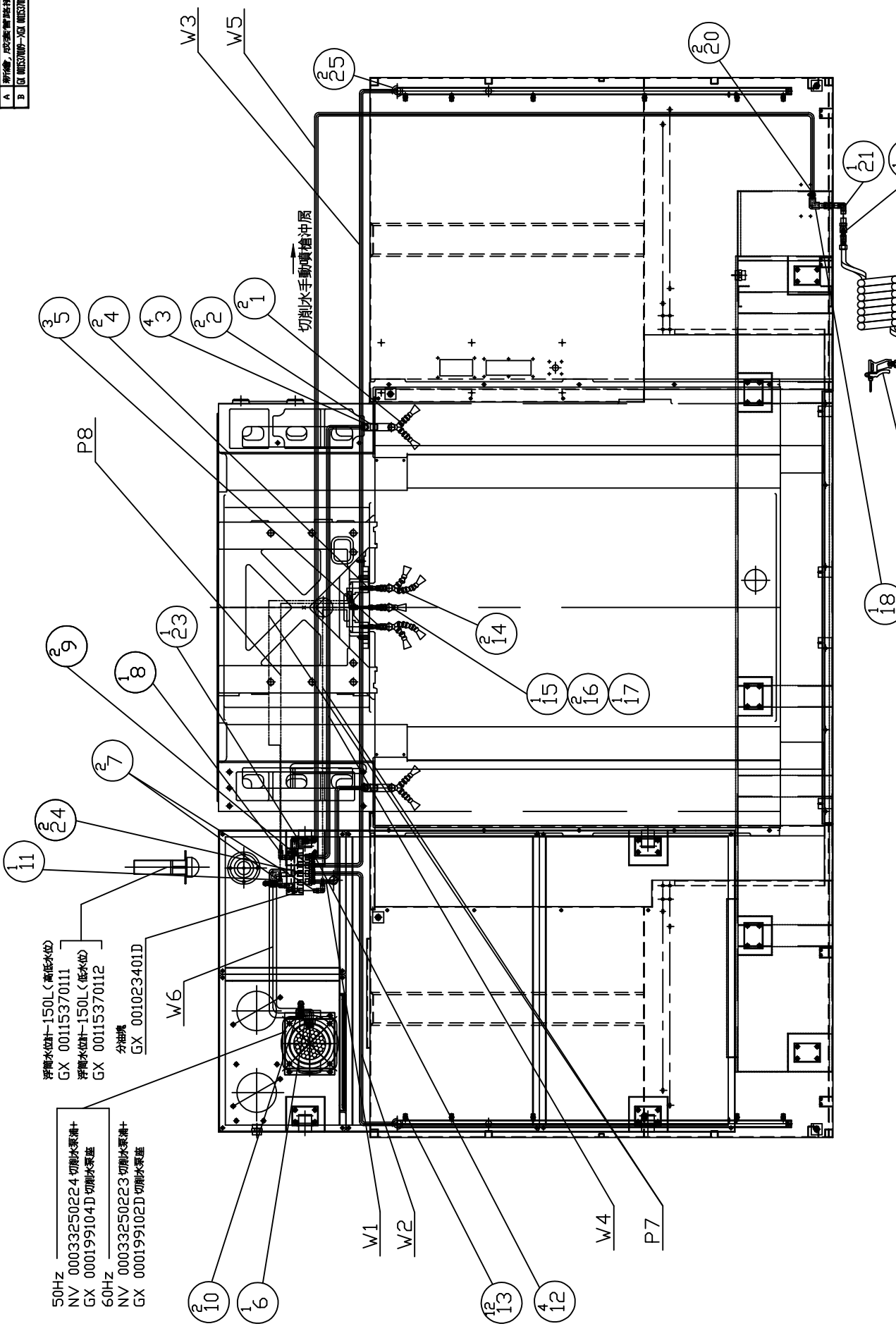
PRODUCT BOM MASTER AND SUB-ITEMS LIST  
\*\*\*\*\*

Master Item Part NO.: NVA000331038A

Description: STANDARD PIPPING(40 PSI)  
一般切削水管路(40 PSI)成套管路接頭

Item	Part NO.	Description	中文名稱	Specification	Qty	Unit
1.00	NV 00069660301	CLAMP, HOSE	不銹鋼管夾	1 1/4"(20-32MM)	1.00	EA
2.00	NV 00100590112	CHECK VALVE, AIR	風壓逆止閥	PT3/8(CV-03)	1.00	EA
3.00	NV 00100590111	CHECK VALVE	逆止閥	[TA SHIN] PT3/4"(PRESSURE 0.3	1.00	EA
4.00	NV 00077030504	CONNECTOR	插心直接頭	PT3/4"XΦ 3/4"	1.00	EA
5.00	NV 00077030506	CONNECTOR, 90 DEGREE	90度插心接頭	PT3/4"XΦ 3/4"	1.00	EA
6.00	NV 00069660301	CLAMP, HOSE	不銹鋼管夾	1 1/4"(20-32MM)	1.00	EA

REV	DESCRIPTION	DATE	ECN
A	新機種，成裝零件標準圖紙	202/11/02	1003227
B	成裝零件標準圖紙	202/11/02	1003227



浮筒水位計-150L (高低水位)  
GX 00115370111  
浮筒水位計-150L (低水位)  
GX 00115370112  
分油機  
GX 001023401D

50Hz  
NV 00033250224 切削水泵浦+  
GX 000199104D 切削水泵座  
60Hz  
NV 00033250223 切削水泵浦+  
GX 000199102D 切削水泵座

零件料號 GX 000331060DX or GX 000331067DX  
MODEL: GX 1300/1600#40, #50

PART NAME	Flushing Piping & Wash Gun	PART NUMBER	GXC000331039D
	沖原切削水管路(含噴槍沖原) - 成套管路接頭	PAGE 1 OF 1	
DATE	202/11/02	SCALE	1:21
		REV.	B

(18) ~ (23) 為切削水手車(自動)噴槍沖原零件,  
自動噴槍沖原零件接頭GX 000331064DX

標號	適用機型	料號	名稱	數量	規格
W1	GX1300/1600	BL 00069650116	耐油橡膠管	1	1/2"-1BX8KG/CM2x0.7M
W2	GX1300/1600	NV 00069650258	耐油橡膠管	1	1/2"-1BX8KG/CM2x3.8M
W3	GX1300/1600	NV 00069650258	耐油橡膠管	1	1/2"-1BX8KG/CM2x3.8M
W4	GX1300/1600	NV 00069650252	耐油橡膠管	1	1/2"-1BX8KG/CM2x2.8M
W5	GX1300/1600	NV 00069650275	耐油橡膠管	1	1/2"-1BX8KG/CM2x5M
W6	GX1300/1600	NV 00069650257	明網管	1	Φ1.1/4"X0.85M
P7	GX1300/1600	NV 00070070330	尼龍油管(黑色)	2	(預估)D12XD9X3.4M
P8	GX1300/1600	NV 00070070312	尼龍油管(黑色)	1	(預估)3.4M)D10XD7.5



# PRODUCT BOM MASTER AND SUB-ITEMS LIST

\*\*\*\*\*

Master Item Part NO.: GXC000331039D

Description: FLUSHING PIPING &amp; WASH GUN

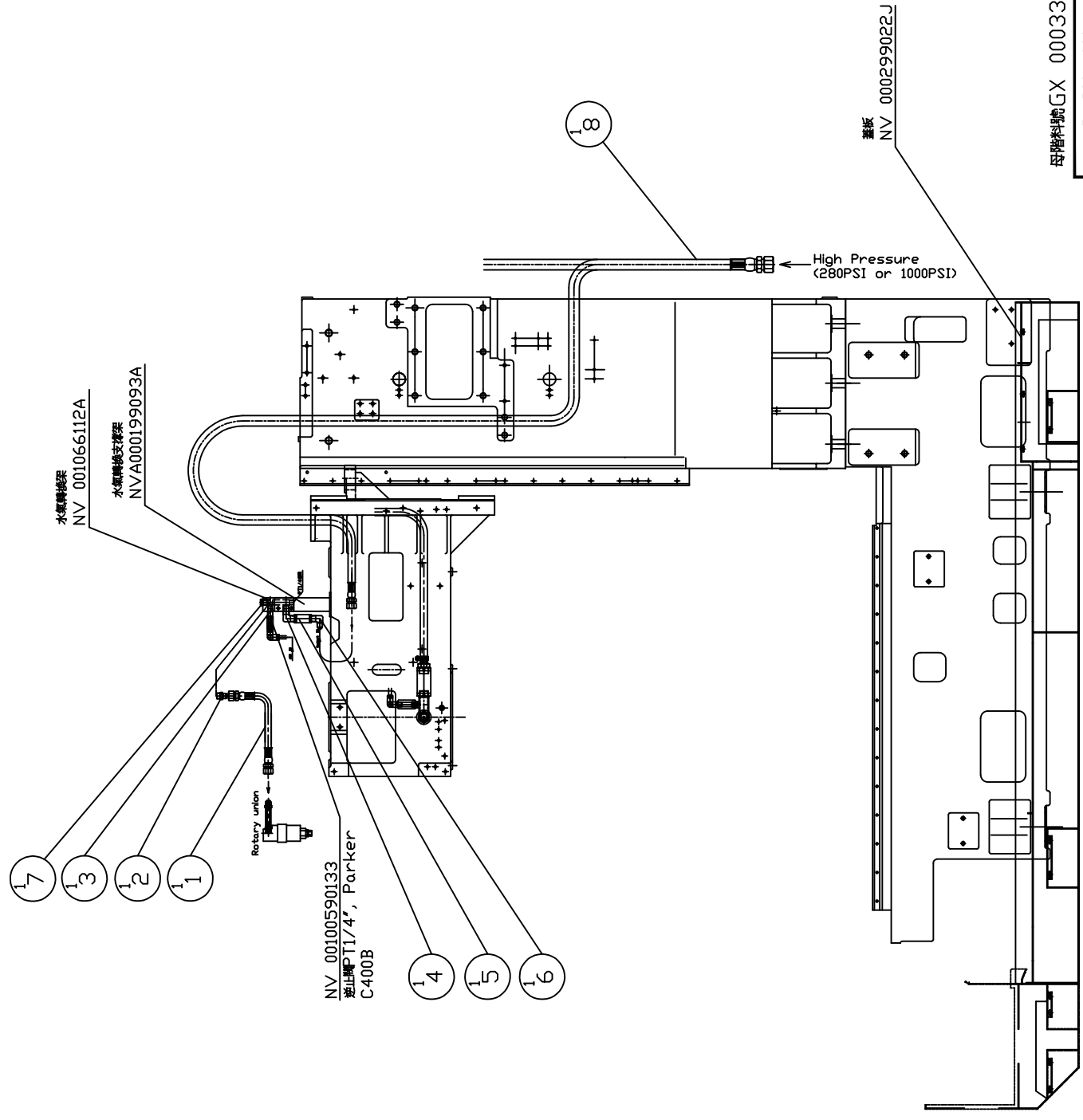
沖屑切削水管路(含噴槍沖屑)-成套管路接頭

Item	Part NO.	Description	中文名稱	Specification	Qty	Unit
1.00	NV 00070110131	NOZZLE, COOLANT	冷卻水噴嘴(三通+扁嘴)本體3/8"多節管	PT1/2"+7P(三通+12P扁嘴+8P扁嘴)3/8"本體	2.00	ST
2.01	NV 00077030519	CONNECTOR, 90 DEGREE	90度插心接頭	PT1/2"XΦ 1/2"	2.00	EA
3.00	NV 00069660303	CLAMP, HOSE	不銹鋼管夾	7/8"(12-22MM)	4.00	EA
4.00	NV 00077030825	STRAIGHT, PRESTO ADAPTER	直型快速接頭(日製PISCO)尼龍管專用	PT1/4"XΦ 12	2.00	EA
5.00	NV 00077032108	PRESTO ADAPTER	夾壁式雙內牙(單邊外牙M22XP2.5)	外牙M22X2.5P+內牙PT1/4"XPT1/4"	3.00	EA
6.01	NV 00077030566	CONNECTOR, 90 DEGREE	90度插心接頭	PT1-1/4"XΦ 1-1/4"	1.00	EA
7.00	NV 00077030720	PRESTO ADAPTER, ELBOW	90度彎肘快速接頭(日製PISCO)尼龍管專用	90度PT3/8"XΦ 12	2.00	EA
8.00	NV 00077030726	PRESTO ADAPTER, ELBOW	90度彎肘快速接頭(日製PISCO)尼龍管專用	90度PT3/8"XΦ 10	1.00	EA
9.00	NV 00077030503	CONNECTOR	插心直接頭	PT1/2"XΦ 3/4"	2.00	EA
10.00	NV 00069660301	CLAMP, HOSE	不銹鋼管夾	1 1/4"(20-32MM)	2.00	EA
11.00	NV 00077030527	CONNECTOR	90度插心直接頭	PT3/4"XΦ 1 1/4"	1.00	EA
12.00	NV 00069660301	CLAMP, HOSE	不銹鋼管夾	1 1/4"(20-32MM)	4.00	EA
13.00	GX 001010901D	NOZZLE, COOLANT	切削水噴嘴(銅)	PT1/4"XD13.5XL25.5	12.00	EA
14.00	NV 00070110138	NOZZLE, COOLANT	冷卻水噴嘴(三通+雙扁嘴)	PT1/4"(三通+4P含扁嘴+2含扁嘴)	2.00	ST
15.00	NV 00070110137	NOZZLE, COOLANT	冷卻水噴嘴(90度接頭+扁嘴)	PT1/4"(90度接頭+扁嘴)	1.00	ST
16.00	NV 00077030727	PRESTO ADAPTER, ELBOW	90度彎肘快速接頭(日製PISCO)尼龍管專用	90度Φ 10XΦ 10	2.00	EA
17.00	NV 00077030728	PRESTO ADAPTER, ELBOW	90度彎肘快速接頭(日製PISCO)尼龍管專用	90度PT1/4"XΦ 10	1.00	EA
18.00	NV 00077030521	CONNECTOR, 90 DEGREE	90度插心接頭	PT3/8"XΦ 1/2"	1.00	EA
19.00	NV 01070350106	COOLANT GUN WITH TUBE	切削水噴槍+伸縮管,PT3/8	[論興]水槍AP20(長)+旋轉頭+伸縮管6M,PT3/8	1.00	EA
20.00	NV 00069660303	CLAMP, HOSE	不銹鋼管夾	7/8"(12-22MM)	2.00	EA

PRODUCT BOM MASTER AND SUB-ITEMS LIST  
\*\*\*\*\*

Item	Part NO.	Description	中文名稱	Specification	Qty	Unit
21.00	NV 00077031515	ELBOW, 90 DEG MALE	90度外雙螺紋肘管	PT3/8"XPT3/8"	1.00	EA
22.00	NV 00077030266	STRAIGHT, PRESTO ADAPTER	高壓直型快速接頭	雙內牙PT3/8"	1.00	EA
23.00	NV 00077030540	CONNECTOR, 90 DEGREE	90度插心接頭	PT3/4"XΦ 1/2"	1.00	EA
24.00	NV 00077030512	CONNECTOR	插心直接頭	PT1/2"XΦ 1/2"	2.00	EA
25.00	NV 00077030505	CONNECTOR	插心直接頭	PT3/4"XΦ 3/4"	2.00	EA

REV	DESCRIPTION	DATE	ECN
A	新增, 成裝管路接頭	202/11/02	1003227



水氣轉換架  
NV 001066112A

水氣轉換支撐架  
NVA000199093A

NV 00100590133  
逆止閥1 1/4", Parker  
C400B

蓋板  
NV 000299022J

High Pressure  
(280PSI or 1000PSI)

母階料號GX 000331062DX

MODEL: GX1300/1600	PART NUMBER GXA000331055D
Piping for CTS Preparation 中心給水預裝管路(CTS預裝) - 成裝管路接頭	PAGE 1 OF 1
DATE 2012/11/02	REV. A
SCALE 1:18	

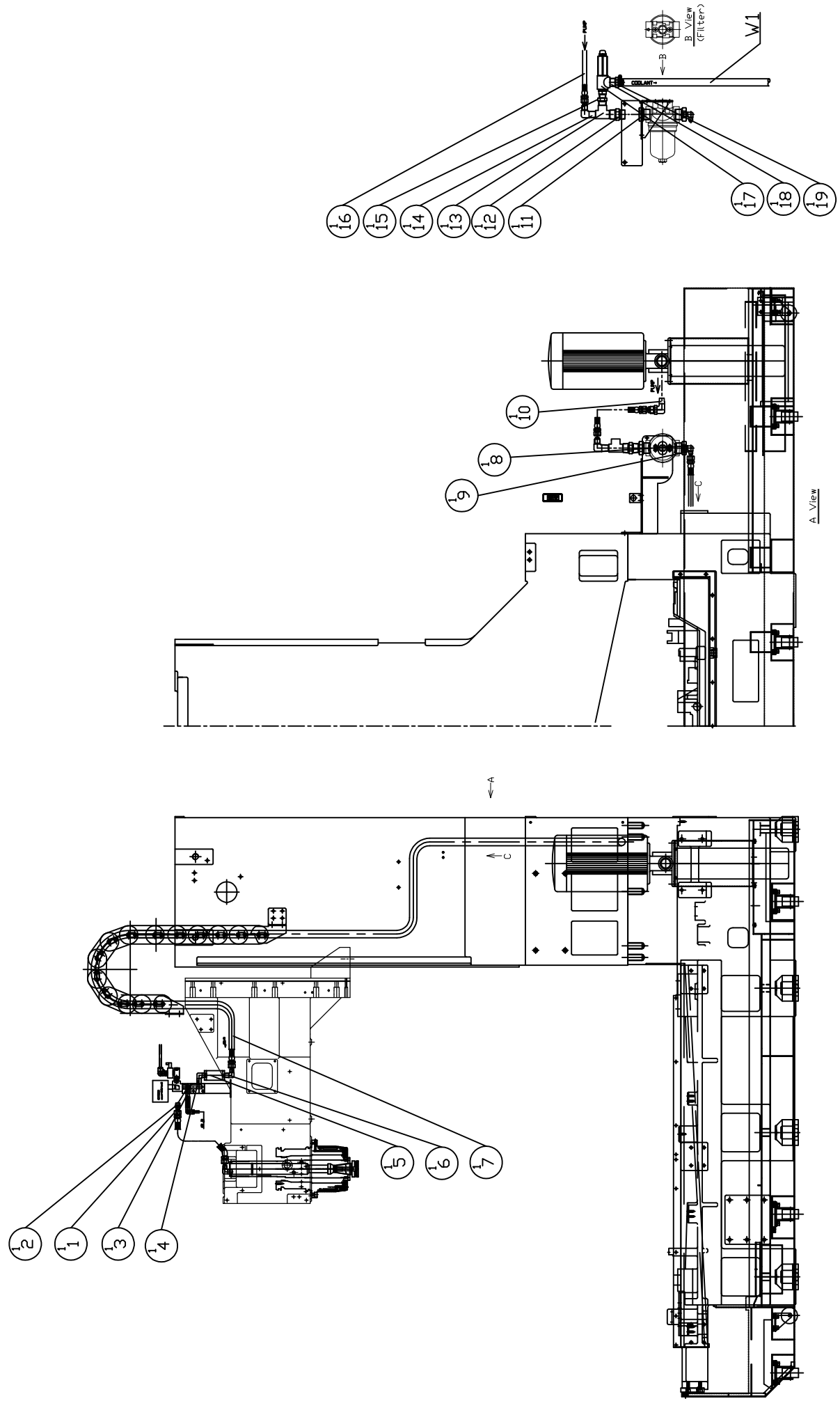
PRODUCT BOM MASTER AND SUB-ITEMS LIST  
\*\*\*\*\*

Master Item Part NO.: GXA000331055D

Description: PIPING FOR CTS PREPARATION  
中心給水預裝管路(CTS預裝)-成套管路接頭

Item	Part NO.	Description	中文名稱	Specification	Qty	Unit
1.00	NV 00069650132	HOSE, FLEXIBLE HYDRAULIC	耐油橡膠管	HOSE 9/16-18UNFX770L(45 DEGREE	1.00	EA
2.00	NV 00077030208	NIPPLE, STRAIGHT	直接頭	PT3/8X9/16-18UNF	1.00	EA
3.00	NV 00077030206	NIPPLE, STRAIGHT	立布(1")	PT1/4"XPT1/4"(L=25.4MM)	1.00	EA
4.00	NV 00077031505	ELBOW, 90 DEG MALE	90度肘管接頭	PT1/2"(MALE)XPT3/8"(MALE)	1.00	EA
5.00	NV 00100590103	CHECK VALVE, COOLANT	切削水逆止閥	PT1/2	1.00	EA
6.00	NV 00077031506	ELBOW, 90 DEG MALE	90度肘管接頭(擴內孔搭@特殊件)	PT1/2"MALEX9/16"-18UNFMALE擴孔噴	1.00	EA
7.00	NV 00077031702	PLUG, SOCKET HEX.	塞頭(內六角)	PT1/4(AM030002T)	1.00	EA
8.00	NV 00069650259	HOSE, FLEXIBLE HYDRAULIC	耐油橡膠管	R1-φ3/8"XW9/16-18UNFX6M	1.00	EA

REV	DESCRIPTION	DATE	ECN
A	新機種，成衣管替換頭B	2012/11/02	1013227



母機料號GX 000331061DX,GX 000331066D  
 標配本機料號GX 000331061D  
 MODEL: GX 1300/1600#40,#50

PART NAME	PART NUMBER
CTS PIPING PARTS(280 PSI)	GXD000331040D
中心給水切割水管替(280 PSI)-成衣管替換頭	PAGE 1 OF 1
DATE 2012/11/02	SCALE 1:22
REV. A	

標號	適用機型	料號	名稱	規格
W1	GX1300/1600	NV 00069650190	耐油機膠管	3/4"-1BX8KG/CM2X0.7M

# PRODUCT BOM MASTER AND SUB-ITEMS LIST

\*\*\*\*\*

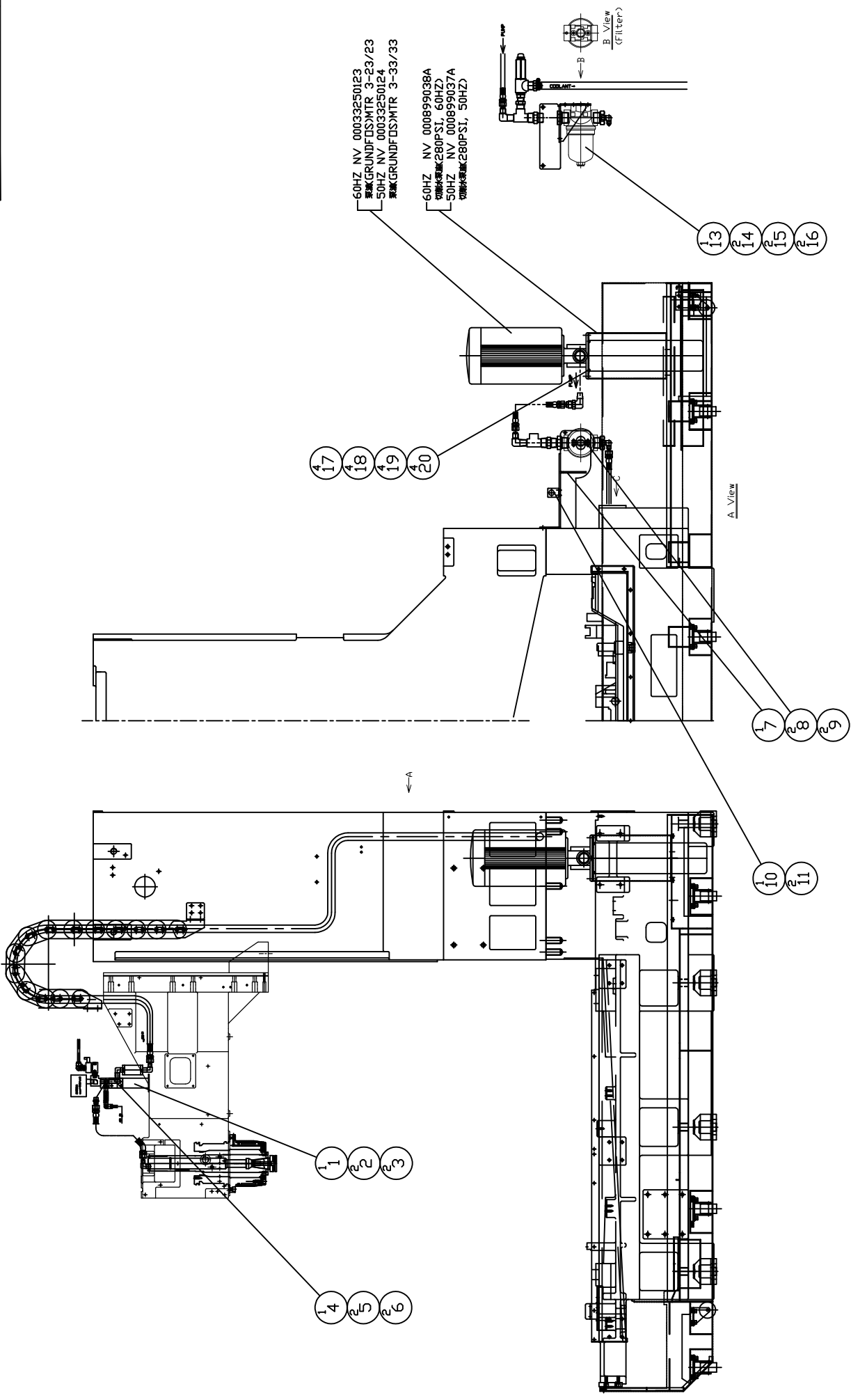
Master Item Part NO.: GXD000331040D

Description: CTS PIPING PARTS(280 PSI)

中心給水切削水管路(280 PSI)-成套管路接頭

Item	Part NO.	Description	中文名稱	Specification	Qty	Unit
1.00	NV 00069650132	HOSE, FLEXIBLE HYDRAULIC	耐油橡膠管	HOSE 9/16-18UNFX770L(45 DEGREE	1.00	EA
2.00	NV 00077030208	NIPPLE, STRAIGHT	直接頭	PT3/8X9/16-18UNF	1.00	EA
3.00	NV 00077030206	NIPPLE, STRAIGHT	立布(1")	PT1/4"XPT1/4"(L=25.4MM)	1.00	EA
4.00	NV 00077031505	ELBOW, 90 DEG MALE	90度肘管接頭	PT1/2"(MALE)XPT3/8"(MALE)	1.00	EA
5.00	NV 00100590103	CHECK VALVE, COOLANT	切削水逆止閥	PT1/2	1.00	EA
6.00	NV 00077031506	ELBOW, 90 DEG MALE	90度肘管接頭(擴內孔搭@特殊件)	PT1/2"MALEX9/16"-18UNFMALE擴孔噴	1.00	EA
7.00	NV 00069650288	HOSE, FLEXIBLE HYDRAULIC	耐油橡膠管	HOSE 9/16-18UNFX5.2M	1.00	EA
8.00	NV 00077031217	BUSHING	卜申接頭	PT1-1/4"XPT3/8"	1.00	EA
9.00	NV 00077031504	ELBOW, 90 DEG MALE	90度肘管接頭	PT3/8"(MALE)X9/16"-18UNF(MALE)	1.00	EA
10.00	NV 00077031538	CONNECTOR, 90 DEGREE ELBOW	90度肘管接頭	PT1 1/4"X1 1/16"-12UNF	1.00	EA
11.00	NV 00077031216	BUSHING	卜申接頭	PT1-1/4"XPT3/4"	1.00	EA
12.00	NV 00077030207	CONNECTOR, STRAIGHT	直接頭	PT3/4"XPT3/4"	1.00	EA
13.00	NV 00077030405	TEE UNION	內螺紋三通	PT3/4"	1.00	EA
14.00	NV 00077030260	CONNECTOR	90度肘管接頭	PT3/4"X1-1/16-12UNF	1.00	EA
15.00	NV 00077031218	BUSHING	卜申接頭	PT3/4"XPT1/2"	1.00	EA
16.00	NV 00069650198	HOSE, FLEXIBLE HYDRAULIC	耐油橡膠管	R1-1 1/16-12UNFX1.5M	1.00	EA
17.00	NV 00100590114	RELIEVE VALVE	洩載閥	PT1/2"X 20KG/CM^2	1.00	EA
18.00	NV 00077030503	CONNECTOR	插心直接頭	PT1/2"XΦ3/4"	1.00	EA
19.00	NV 00069660304	CLAMP, HOSE (20KG/CM^2)	不銹鋼管夾(20KG/CM^2)	1 1/4"(20-32MM)	1.00	EA

REV	DESCRIPTION	DATE	ECN
A	新增, 成源管線機及泵金口M	2012/11/02	1003227
B	新增, 成源管線機及泵金口M	2012/11/02	1003227



60HZ NV 00033250123  
 變壓器GRUNDFOS\MTR 3-23/23  
 50HZ NV 00033250124  
 變壓器GRUNDFOS\MTR 3-33/33

60HZ NV 000899038A  
 切斷機(280PSI, 60HZ)  
 50HZ NV 000899037A  
 切斷機(280PSI, 50HZ)

型號料號 GX 000331061DX, GX 000331066DX  
 規格成源管線機料號 GXD000331040D

MODEL: GX 1300/1600#40, #50	PART NUMBER
CTS PIPING PARTS<280 PSI>	GX 000331061D
中心給水切斷水管線<280 PSI>-其它類	PAGE 1 OF 1
DATE 2012/11/02	REV. B
SCALE 1:22	

# PRODUCT BOM MASTER AND SUB-ITEMS LIST

\*\*\*\*\*

Master Item Part NO.: GX 000331061D

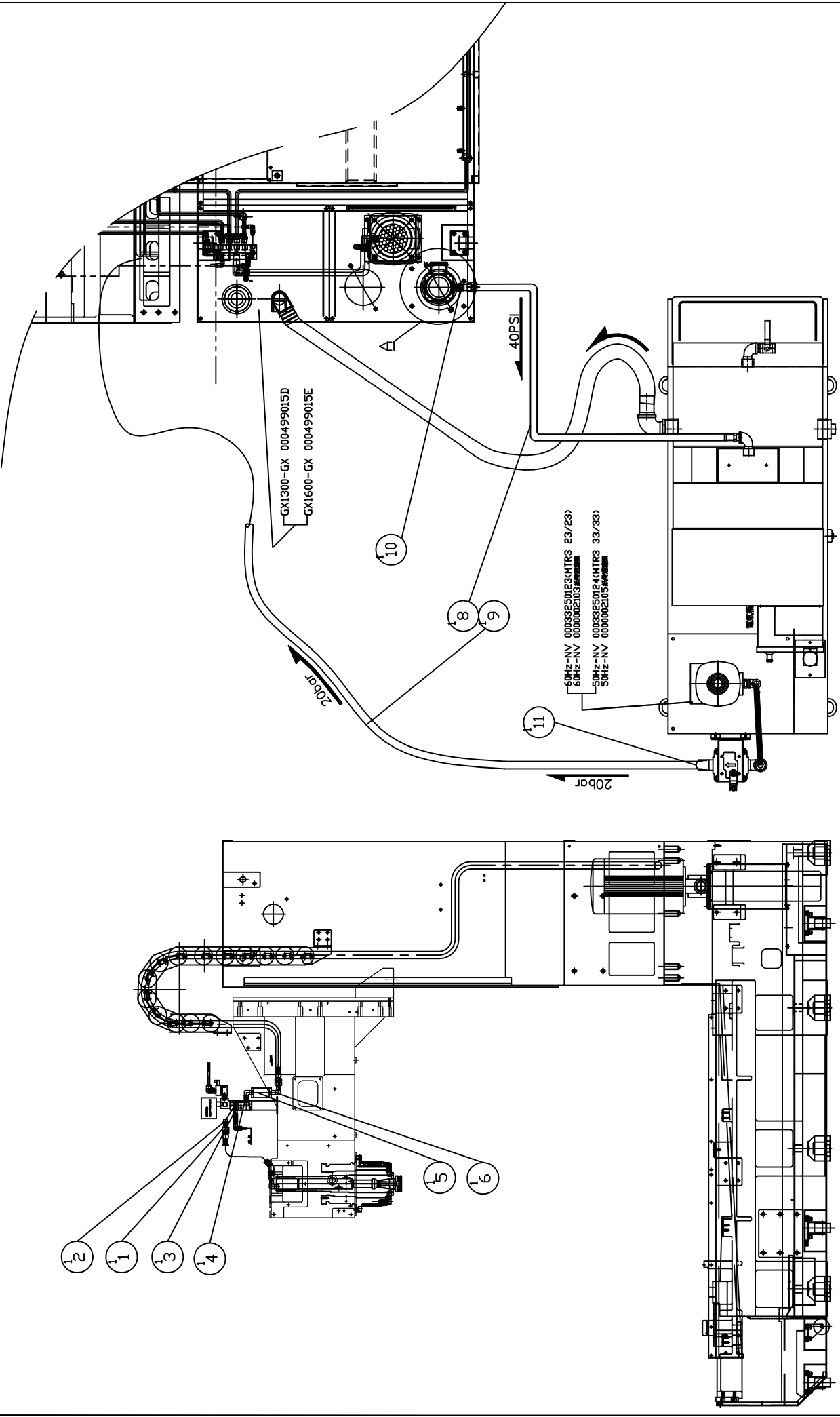
Description: CTS PIPING PARTS(280 PSI)

中心給水切削水管路(280 PSI)-其它類

Item	Part NO.	Description	中文名稱	Specification	Qty	Unit
1.00	NVA000199093A	BRACKET, MANIFOLD CTS	水氣轉換支撐架	L186XW28XH53	1.00	EA
2.00	MS 0103617	SOCKET HEAD CAP SCREW	六角穴圓頭螺絲	M6XP1.0XL16	2.00	EA
3.00	MW 0183610	SPRING WASHER	彈簧墊圈	M6(HEAT TREATMENT)	2.00	EA
4.00	NV 001066112A	MANIFOLD, THRU SPD COOLANT	水氣轉換架	L86XW25XH38	1.00	EA
5.00	MS 0103617	SOCKET HEAD CAP SCREW	六角穴圓頭螺絲	M6XP1.0XL16	2.00	EA
6.00	MW 0183610	SPRING WASHER	彈簧墊圈	M6(HEAT TREATMENT)	2.00	EA
7.00	GX 000599053D	BRACKET, FILTER, CTS	過濾器支撐架(CTS)	L382XW254XH199.2	1.00	EA
8.00	MS 0103819	SOCKET HEAD CAP SCREW	六角穴圓頭螺絲	M8XP1.25XL25	2.00	EA
9.00	MW 0183810	SPRING WASHER	彈簧墊圈	M8(HEAT TREATMENT)	2.00	EA
10.00	NV 000199064A	SUPPORT, SILENCER	消音器座	L35XW45XH25	1.00	EA
11.00	MS 0103615	SOCKET HEAD CAP SCREW	六角穴圓頭螺絲	M6XP1.0XL10	2.00	EA
13.00	NV 00116140121	FILTER BODY & FILTER, CTS	過濾器(本體+2組濾心)(CTS)	LPF BN/HC 160 G E 10 A 1.2	1.00	ST
14.00	MS 0104018	SOCKET HEAD CAP SCREW	六角穴圓頭螺絲	M10XP1.5XL20	2.00	EA
15.00	MW 0184010	SPRING WASHER	彈簧墊圈	M10(HEAT TREATMENT)	2.00	EA
16.00	MW 0104010	FLAT WASHER	平墊圈	M10	2.00	EA
17.00	MW 0183610	SPRING WASHER	彈簧墊圈	M6(HEAT TREATMENT)	4.00	EA
18.00	MS 0103616	SOCKET HEAD CAP SCREW	六角穴圓頭螺絲	M6XP1.0XL12	4.00	EA
19.00	MS 0103818	SOCKET HEAD CAP SCREW	六角穴圓頭螺絲	M8XP1.25XL20	4.00	EA
20.00	MW 0183810	SPRING WASHER	彈簧墊圈	M8(HEAT TREATMENT)	4.00	EA



REV	DESCRIPTION	DATE	ECN
A	新增, 成裝管線排氣口	2015/07/10	1003966



物料編號:GX 000331013DX or GX 000331014DX  
 裝置式安裝材料號 GX 000331062D 配合設備總機使用

MODEL: GX 1300/1600# 40, #50	DRAWN: KLIN	SCALE: 1:22	REV: A
PART NAME: CTS PIPING PARTS(280/700/1000 PSI)	PART NUMBER: GXA000331050D	PAGE: 1	OF: 1
中文說明: 中心線水切開水管(280/700/1000 PSI)-成裝管線排氣			

PRODUCT BOM MASTER AND SUB-ITEMS LIST  
\*\*\*\*\*

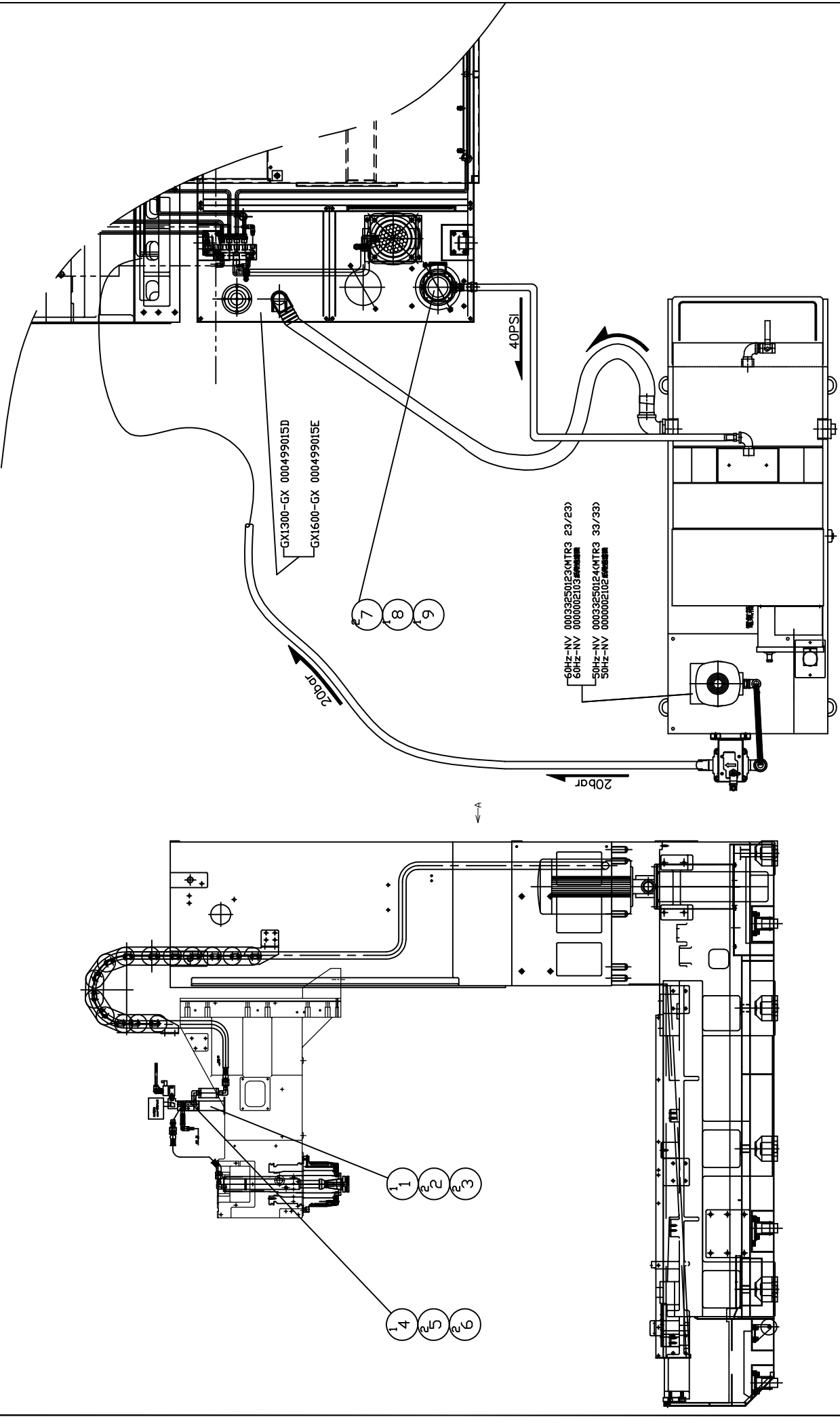
Master Item Part NO.: GXA000331050D

Description: CTS PIPING (280/700/ 1000PSI)

中心給水切削水管路(280/700/1000 PSI)-成套

Item	Part NO.	Description	中文名稱	Specification	Qty	Unit
1.00	NV 00077030208	NIPPLE, STRAIGHT	直接頭	PT3/8X9/16-18UNF	1.00	EA
2.00	NV 00069650132	HOSE, FLEXIBLE HYDRAULIC	耐油橡膠管	HOSE 9/16-18UNFX770L(45 DEGREE	1.00	EA
3.00	NV 00077030206	NIPPLE, STRAIGHT	立布(1")	PT1/4"XPT1/4"(L=25.4MM)	1.00	EA
4.00	NV 00077031505	ELBOW, 90 DEG MALE	90度肘管接頭	PT1/2"(MALE)XPT3/8"(MALE)	1.00	EA
5.00	NV 00100590103	CHECK VALVE, COOLANT	切削水逆止閥	PT1/2	1.00	EA
6.00	NV 00077031506	ELBOW, 90 DEG MALE	90度肘管接頭(擴內孔搭@特殊件)	PT1/2"MALEX9/16"-18UNFMALE擴孔噴	1.00	EA
8.00	HLW034X2500	PIPE	中壓管	R1-1 1/16-12UNFX2.5M	1.00	EA
9.00	XR 00069650161	HOSE, FLEXIBLE HYDRAULIC	耐油橡膠管	R1-Φ38XW3/8-18NFX8M	1.00	EA
10.00	NV 00077030308	CONNECTOR	直接頭	PT3/8"X1 1/16-12UNF	1.00	EA
11.00	NV 00077031523	ELBOW, 90 DEG MALE	90度肘管接頭	PT3/4"(MALE)X9/16"-18UNF(MALE)	1.00	EA
12.00	NV 00100590114	RELIEVE VALVE	洩載閥	PT1/2"X 20KG/CM^2	1.00	EA

REV	DESCRIPTION	DATE	ECN
A	新增, 新增管線圖及零件圖	2015/07/10	1003966



零件名稱: GX 000331013DX or GX 000331014DX  
 指配的家管材料 GX 000331050D 配合系統圖使用

MODEL: GX 1300/1600#40,#50	DRAWN BY: GUY	SCALE: 1:22	REV: A
PART NAME: CTS PIPING PARTS(280/700/1000PSI)	PART NUMBER: GX A000331062D	PAGE 1 OF 1	
中心線水切斷水管(280/700/1000 PSI)-其他類			

\*\*\*\*\*  
**PRODUCT BOM MASTER AND SUB-ITEMS LIST**  
 \*\*\*\*\*

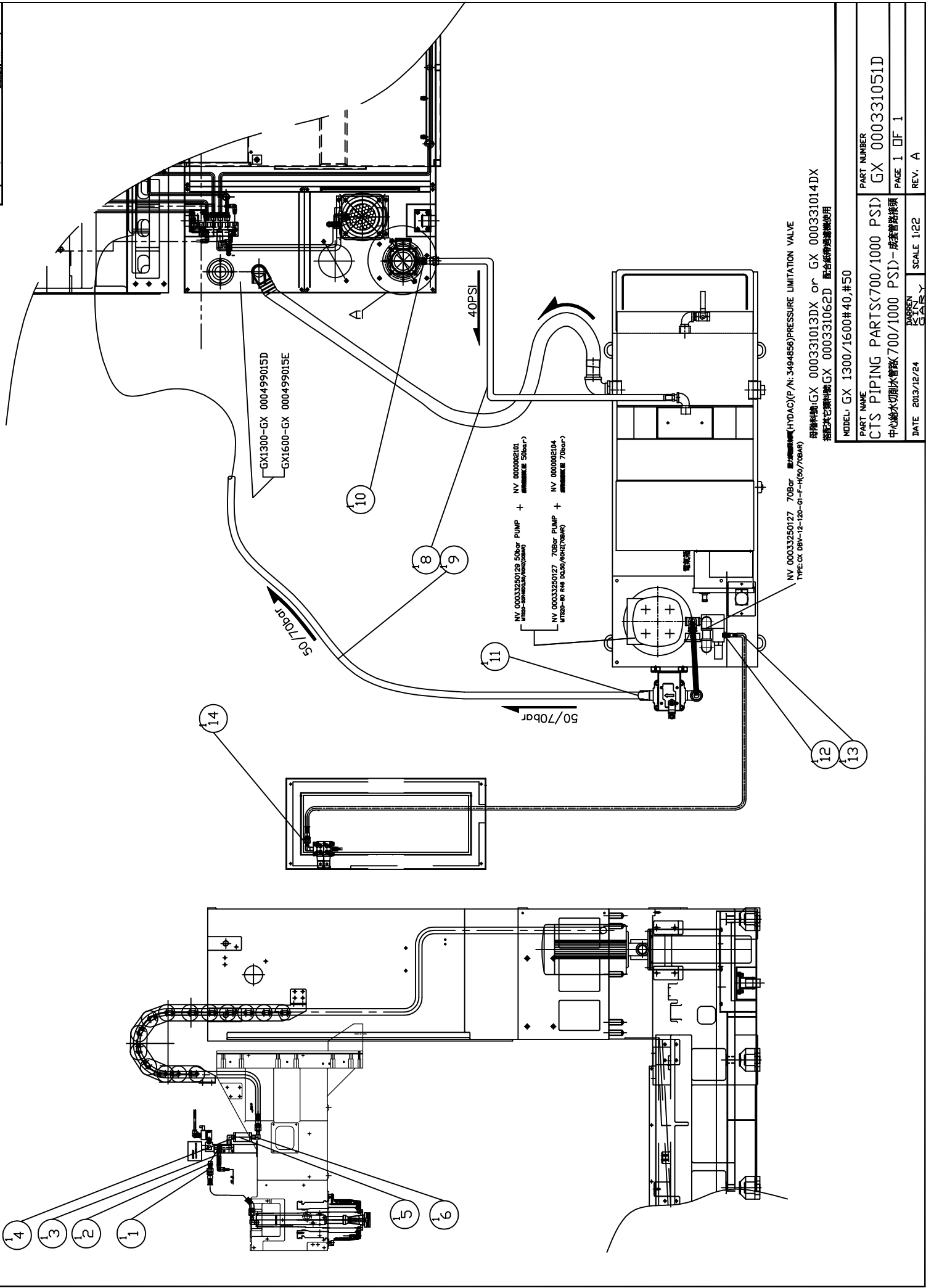
Master Item Part NO.: GXA000331062D

Description: CTS PIPING(280 /700/1000PSI)

中心給水切削水管路(280/700/1000PSI)-其它類

Item	Part NO.	Description	中文名稱	Specification	Qty	Unit
1.00	NVA000199093A	BRACKET, MANIFOLD CTS	水氣轉換支撐架	L186XW28XH53	1.00	EA
2.00	MS 0103617	SOCKET HEAD CAP SCREW	六角六圓頭螺絲	M6XP1.0XL16	2.00	EA
3.00	MW 0183610	SPRING WASHER	彈簧墊圈	M6(HEAT TREATMENT)	2.00	EA
4.00	NV 001066112A	MANIFOLD, THRU SPD COOLANT	水氣轉換架	L86XW25XH38	1.00	EA
5.00	MS 0103617	SOCKET HEAD CAP SCREW	六角六圓頭螺絲	M6XP1.0XL16	2.00	EA
6.00	MW 0183610	SPRING WASHER	彈簧墊圈	M6(HEAT TREATMENT)	2.00	EA
7.00	MS 0353818	WING SCREW	翼型螺絲	M8XP1.25XL20	2.00	EA
8.00	GX 000599092D	COVER	蓋板	L220XD100XH5	1.00	EA
9.00	NV 00033250131	PUMP, COOLANT	切削水泵浦(GRUNDFOS)	[GRUNDFOS] MTA30-150(50/60HZ)	1.00	ST

REV	DESCRIPTION	DATE	ECN
A	新增, 成裝管線接頭	2013/12/24	100331014DX



MODEL: GX 1300/1600#40, #50	DATE: 2013/12/24	SCALE: 1:22	REV: A
PART NAME: CYS PIPING PARTS(700/1000 PSI)	PART NUMBER: GX 000331051D		
中心抽水切斷水管(700/1000 PSI)-成裝管線接頭	PAGE: 1 OF 1		

# PRODUCT BOM MASTER AND SUB-ITEMS LIST

\*\*\*\*\*

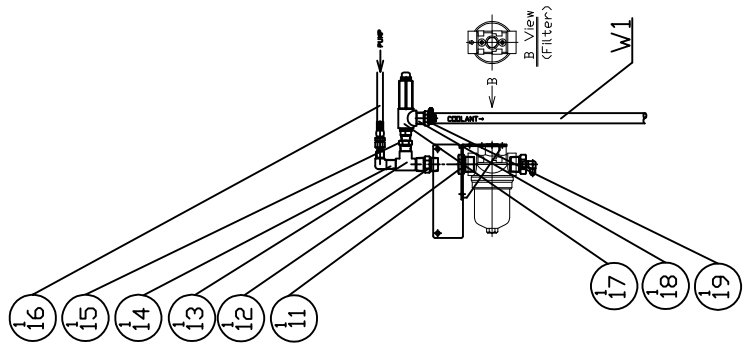
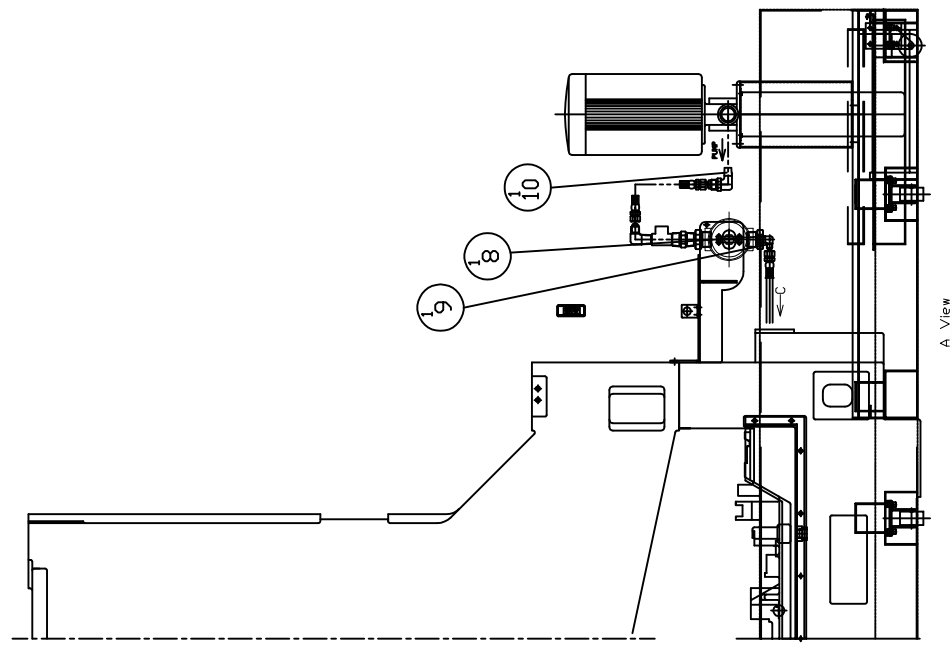
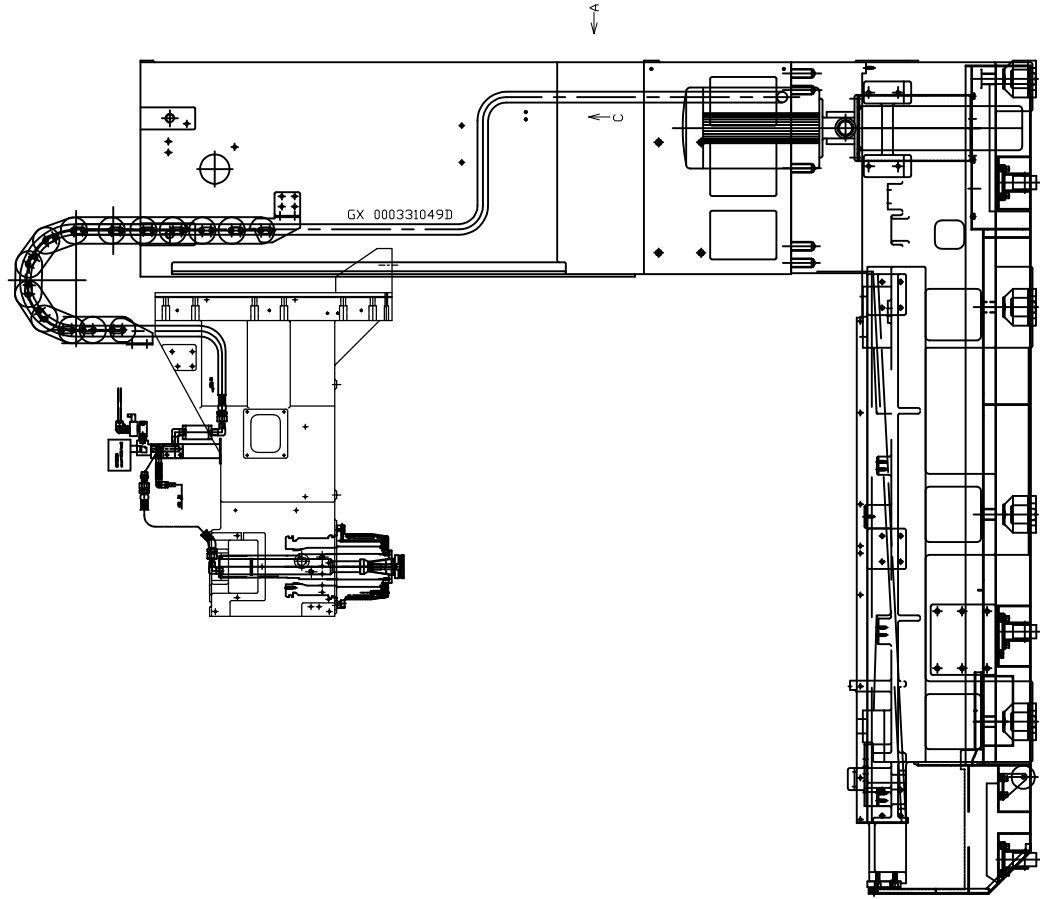
Master Item Part NO.: GX 000331051D

Description: CTS PIPING (700/ 1000PSI)

中心給水切削水管路(700/1000 PSI)-成套

Item Part NO.	Description	中文名稱	Specification	Qty	Unit
1.00 NV 00069650132	HOSE, FLEXIBLE HYDRAULIC	耐油橡膠管	HOSE 9/16-18UNFX770L(45 DEGREE	1.00	EA
2.00 NV 00077030208	NIPPLE, STRAIGHT	直接頭	PT3/8X9/16-18UNF	1.00	EA
3.00 NV 00077030206	NIPPLE, STRAIGHT	立布(1")	PT1/4"XPT1/4"(L=25.4MM)	1.00	EA
4.00 NV 00077031505	ELBOW, 90 DEG MALE	90度肘管接頭	PT1/2"(MALE)XPT3/8"(MALE)	1.00	EA
5.00 NV 00100590103	CHECK VALVE, COOLANT	切削水逆止閥	PT1/2	1.00	EA
6.00 NV 00077031506	ELBOW, 90 DEG MALE	90度肘管接頭(擴內孔搭@特殊件)	PT1/2"MALEX9/16"-18UNFMALE擴孔噴	1.00	EA
8.00 HLW034X2500	PIPE	中壓管	R1-1 1/16-12UNFX2.5M	1.00	EA
9.00 XR 00069650161	HOSE, FLEXIBLE HYDRAULIC	耐油橡膠管	R1-Φ 38XW3/8-18NFX8M	1.00	EA
10.00 NV 00077030308	CONNECTOR	直接頭	PT3/8"X1 1/16-12UNF	1.00	EA
11.00 NV 00077031523	ELBOW, 90 DEG MALE	90度肘管接頭	PT3/4"(MALE)X9/16"-18UNF(MALE)	1.00	EA
12.00 NV 00077030233	NIPPLE, STRAIGHT	直接頭	PT1/8XW7/16-20UNF	1.00	EA
13.00 BL 00069650159	HOSE, FLEXIBLE HYDRAULIC	耐油橡膠管	R1-Φ 1/4"XW7/16"-20UNFX5M	1.00	EA
14.00 NV 00077031510	ELBOW,90 DEG MALE	90度肘管接頭	PT1/4"MALEXW7/16"-20UNF MALE	1.00	EA

REV	DESCRIPTION	DATE	ECN
A	WEISS/GTW 9K/12K-BELT, CTS	2015/12/2	100398E



WEISS/GTW 9K/12K-BELT (零件號) GX 000331049D  
 零件名稱 GX 000331074DX, GX 000331075DX  
 零件名稱 GX 000331073D

MODEL: GX 1300/1600#40, #50	PART NUMBER
PART NAME	GX 000331072D
CTS PIPING PARTS(280 PSD)WEISS/GTW 9K/12K-BELT	PAGE 1 OF 1
中級/高級機(280 PSD)-德國威爾斯/GTW 9K/12K-BELT	REV. A
DATE 2015/12/2	SCALE 1:22
SHERY	ISIN

標號	適用機型	料號	名稱	規格
W1	GX1300/1600	NV 00069650190	齒油機膠管	3/4"-1BX8KG/CM2X0.7M

PRODUCT BOM MASTER AND SUB-ITEMS LIST  
\*\*\*\*\*

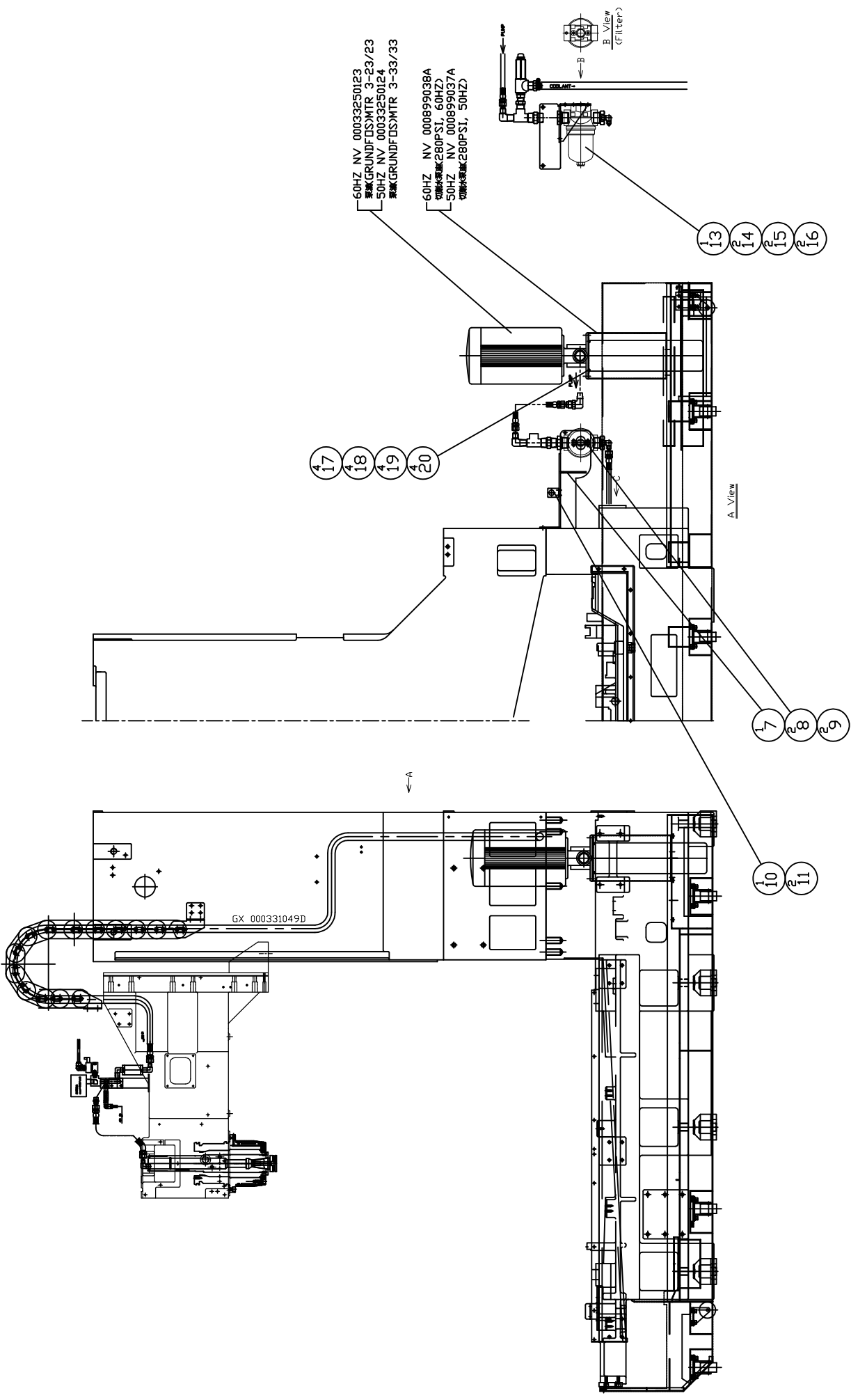
Master Item Part NO.: GX 000331072D

Description: CTS PIPING PARTS(280 PSI)(GTW)  
中心給水切削水管路(280 PSI)-成套管路接頭

Item Part NO.	Description	中文名稱	Specification	Qty	Unit
8.00 NV 00077031217	BUSHING	卜申接頭	PT1-1/4"XPT3/8"	1.00	EA
9.00 NV 00077031504	ELBOW, 90 DEG MALE	90度肘管接頭	PT3/8"(MALE)X9/16"-18UNF(MALE)	1.00	EA
10.00 NV 00077031538	CONNECTOR, 90 DEGREE ELBOW	90度肘管接頭	PT1 1/4"X1 1/16"-12UNF	1.00	EA
11.00 NV 00077031216	BUSHING	卜申接頭	PT1-1/4"XPT3/4"	1.00	EA
12.00 NV 00077030207	CONNECTOR, STRAIGHT	直接頭	PT3/4"XPT3/4"	1.00	EA
13.00 NV 00077030405	TEE UNION	內螺紋三通	PT3/4"	1.00	EA
14.00 NV 00077030260	CONNECTOR	90度肘管接頭	PT3/4"X1-1/16-12UNF	1.00	EA
15.00 NV 00077031218	BUSHING	卜申接頭	PT3/4"XPT1/2"	1.00	EA
16.00 NV 00069650198	HOSE, FLEXIBLE HYDRAULIC	耐油橡膠管	R1-1 1/16-12UNFX1.5M	1.00	EA
17.00 NV 00100590114	RELIEVE VALVE	洩載閥	PT1/2"X 20KG/CM^2	1.00	EA
18.00 NV 00077030503	CONNECTOR	插心直接頭	PT1/2"XΦ3/4"	1.00	EA
19.00 NV 00069660304	CLAMP, HOSE (20KG/CM^2)	不銹鋼管夾(20KG/CM^2)	1 1/4"(20-32MM)	1.00	EA



REV	DESCRIPTION	DATE	ECN
A	WEISS/GTW) 9K/12K-BELT CTS	2015/12/2	100398B



60HZ NV 00033250123  
 变频器(280PST, 60HZ)  
 变频器(280PST, 50HZ)

60HZ NV 000899038A  
 变频器(280PST, 60HZ)  
 变频器(280PST, 50HZ)

WEISS/GTW) 9K/12K-BELT CTS GX 000331049D  
 变频器(280PST, 60HZ) GX 000331074DX GX 000331075DX  
 变频器(280PST, 50HZ) GX 000331072D

MODEL: GX 1300/1600#40, #50
PART NAME CTS PIPING PARTS(280 PSD) WEISS/GTW) 9K/12K-BELT 变频器(280PST, 60HZ) WEISS/GTW) 9K/12K-BELT
PART NUMBER GX 000331073D
PAGE 1 OF 1
REV. A
DATE 2015/12/2
SCALE 1:22
SHERRY KIN

# PRODUCT BOM MASTER AND SUB-ITEMS LIST

\*\*\*\*\*

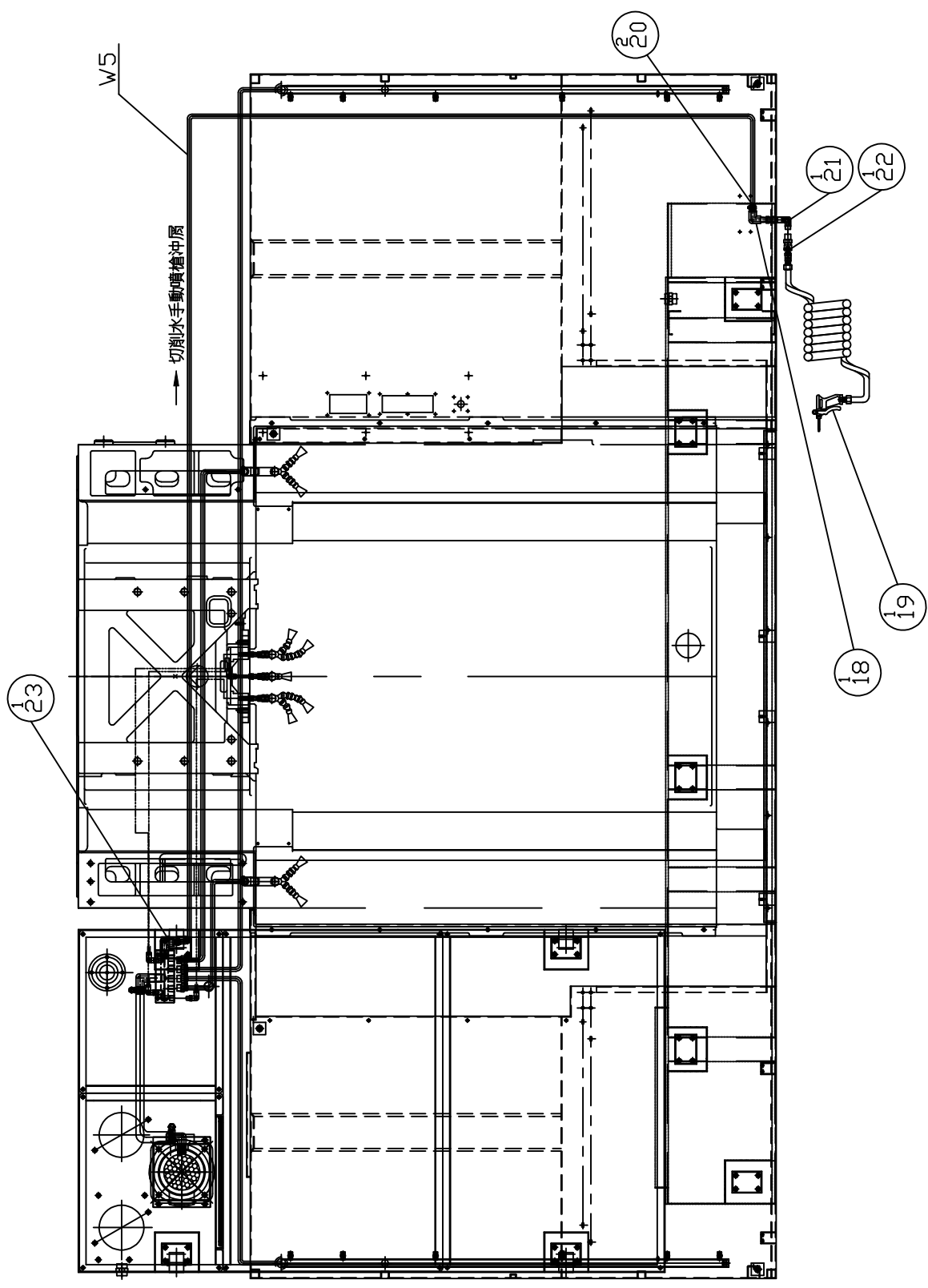
Master Item Part NO.: GX 000331073D

Description: CTS PIPING PARTS(280 PSI)

中心給水切削水管路(280 PSI)-其它類

Item Part NO.	Description	中文名稱	Specification	Qty	Unit
7.00 GX 000599053D	BRACKET, FILTER, CTS	過濾器支撐架(CTS)	L382XW254XH199.2	1.00	EA
8.00 MS 0103819	SOCKET HEAD CAP SCREW	六角穴圓頭螺絲	M8XP1.25XL25	2.00	EA
9.00 MW 0183810	SPRING WASHER	彈簧墊圈	M8(HEAT TREATMENT)	2.00	EA
10.00 NV 000199064A	SUPPORT, SILENCER	消音器座	L35XW45XH25	1.00	EA
11.00 MS 0103615	SOCKET HEAD CAP SCREW	六角穴圓頭螺絲	M6XP1.0XL10	2.00	EA
13.00 NV 00116140121	FILTER BODY & FILTER, CTS	過濾器(本體+2組濾心)(CTS)	LPF BN/HC 160 G E 10 A 1.2	1.00	ST
14.00 MS 0104018	SOCKET HEAD CAP SCREW	六角穴圓頭螺絲	M10XP1.5XL20	2.00	EA
15.00 MW 0184010	SPRING WASHER	彈簧墊圈	M10(HEAT TREATMENT)	2.00	EA
16.00 MW 0104010	FLAT WASHER	平墊圈	M10	2.00	EA
17.00 MW 0183610	SPRING WASHER	彈簧墊圈	M6(HEAT TREATMENT)	4.00	EA
18.00 MS 0103616	SOCKET HEAD CAP SCREW	六角穴圓頭螺絲	M6XP1.0XL12	4.00	EA
19.00 MS 0103818	SOCKET HEAD CAP SCREW	六角穴圓頭螺絲	M8XP1.25XL20	4.00	EA
20.00 MW 0183810	SPRING WASHER	彈簧墊圈	M8(HEAT TREATMENT)	4.00	EA

REV	DESCRIPTION	DATE	ECN
A	新機種，成衣套管沖床組裝圖	2012/11/02	1003227



MODEL: GX 1300/1600#40, #50	PART NUMBER: GXB000331005D
PART NAME: COOLANT WASH GUN, MANUAL	PAGE 1 OF 1
切割水手動噴槍沖床—成衣套管沖床	REV. A
DATE: 2012/11/02	SCALE: 1:21

無母機料號  
 (18) ~ (23) 為切割水手動(自動)噴槍沖床零件，  
 上述零件在GXXC000331039D表示

標號	適用機型	料號	數量	名稱	規格
W5	GX1300/1600	NV 00069650275	1	耐油編膠管	1/2"-1BX8KG/CM2x5M

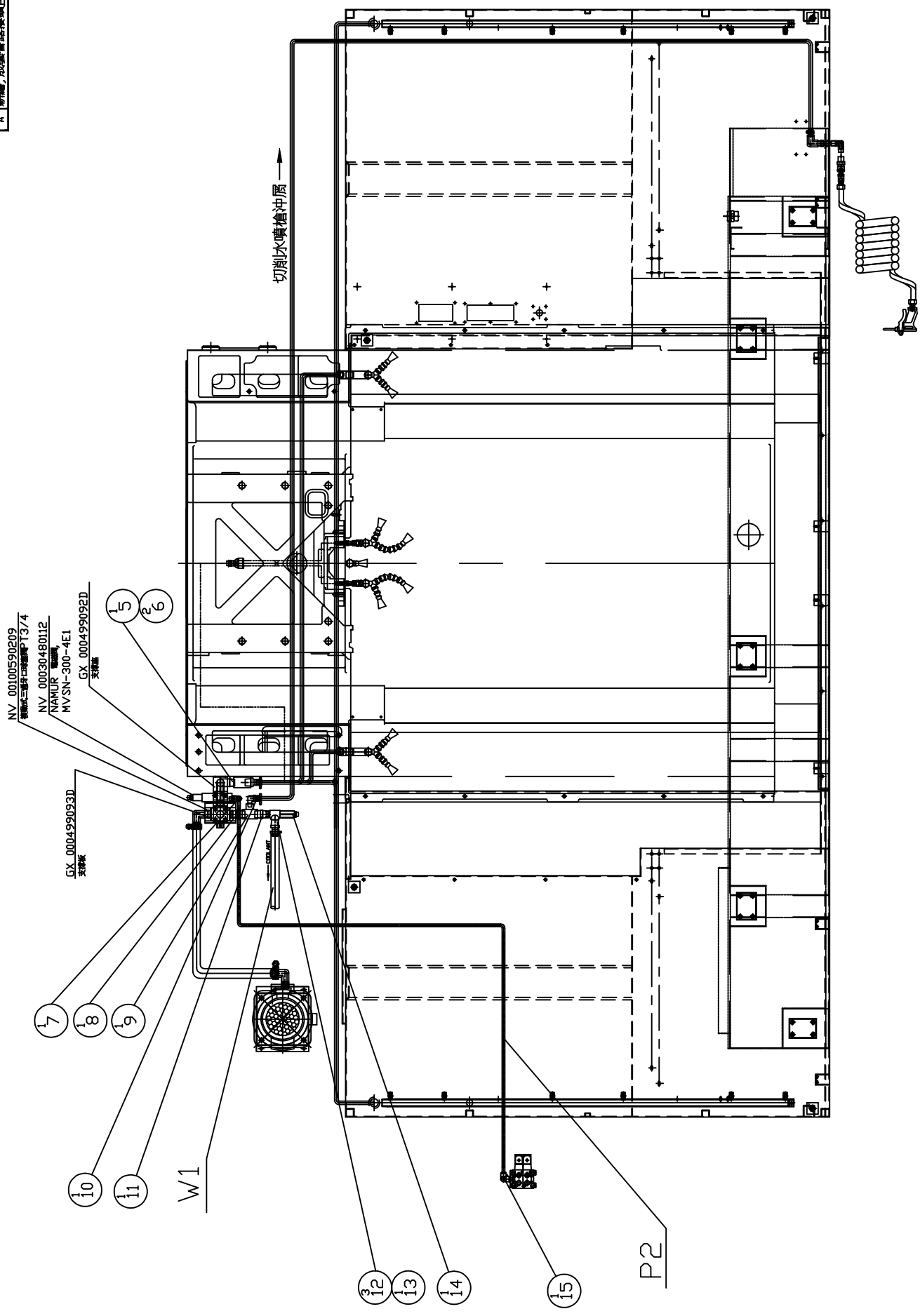
PRODUCT BOM MASTER AND SUB-ITEMS LIST  
\*\*\*\*\*

Master Item Part NO.: GXB000331005D

Description: COOLANT WASH GUN(MANUAL)  
切削水手動噴槍沖屑-成套管路接頭

Item	Part NO.	Description	中文名稱	Specification	Qty	Unit
18.00	NV 00077030521	CONNECTOR, 90 DEGREE	90度插心接頭	PT3/8"XΦ 1/2"	1.00	EA
19.00	NV 01070350106	COOLANT GUN WITH TUBE	切削水噴槍+伸縮管,PT3/8	[論興]水槍AP20(長)+旋轉頭+伸縮管6M,PT3/8	1.00	EA
20.00	NV 00069660308	CLAMP, HOSE	不銹鋼管夾	3/4"(10-20MM)	2.00	EA
21.00	NV 00077031515	ELBOW, 90 DEG MALE	90度外雙螺紋肘管	PT3/8"XPT3/8"	1.00	EA
22.00	NV 00077030266	STRAIGHT, PRESTO ADAPTER	高壓直型快速接頭	雙內牙PT3/8"	1.00	EA
23.00	NV 00077030540	CONNECTOR, 90 DEGREE	90度插心接頭	PT3/4"XΦ 1/2"	1.00	EA

REV	DESCRIPTION	DATE	ECN
A	新增, 成裝管路接頭(3,12,13,14,15)	2012/11/02	1003227



母機料號 GX 000331064DX  
 MODEL: GX 1300/1600#40,#50

PART NAME	PART NUMBER
Coolant Wash Gun(Auto)	GXA000331006D
切削水自動噴槍沖質-成裝管路接頭	PAGE 1 OF 1
DATE 2012/11/02	SCALE 1:20
REV. A	REV. A

標號	適用機型	料號	名稱	規格
W1	GX1300/1600	NV 00069650149	耐油膠管	1/2"-1BX8KG/CM2X0.5M
P2	GX1300/1600	NV 00070070249	風壓用管	PU φ10xφ6.5,2.65M

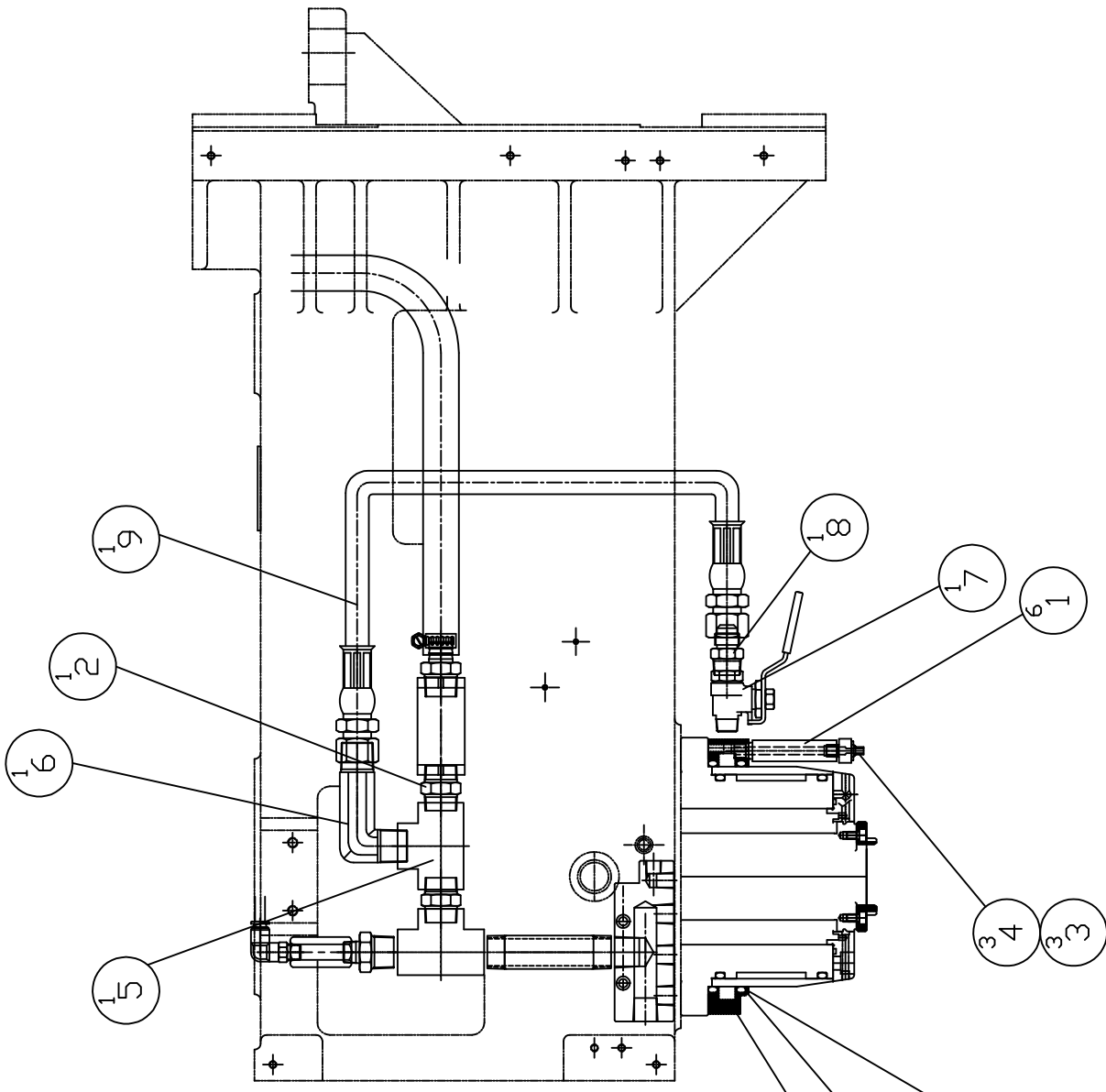
\*\*\*\*\*  
PRODUCT BOM MASTER AND SUB-ITEMS LIST  
\*\*\*\*\*

Master Item Part NO.: GXA000331006D

Description: COOLANT WASH GUN(AUTO)  
切削水自動噴槍沖屑-成套管路接頭

Item	Part NO.	Description	中文名稱	Specification	Qty	Unit
5.00	NV 00077031527	ELBOW, 90 DEG MALE	90度外雙螺紋肘管(加長)	PT3/4"XPT3/4"	1.00	ST
6.00	NV 00113350103	MUFFLER, BREATHER	消音器	PT1/4(SL-02Q)	1.00	EA
7.00	NV 00077030706	PRESTO ADAPTER, ELBOW	90度彎肘快速接頭	PT1/4XΦ10(JPL10-02)	1.00	EA
8.00	NV 00077030207	CONNECTOR, STRAIGHT	直接頭	PT3/4"XPT3/4"	1.00	EA
9.00	NV 00077030405	TEE UNION	內螺紋三通	PT3/4"	1.00	EA
10.00	NV 00077030520	CONNECTOR, 90 DEGREE	90度插心接頭	PT3/4"XΦ1/2"	1.00	EA
11.00	NV 00077030213	NIPPLE, STRAIGHT	直接頭	PT1/2"XPT3/4"	1.00	EA
12.00	NV 00069660308	CLAMP, HOSE	不銹鋼管夾	3/4"(10-20MM)	3.00	EA
13.00	NV 00077030512	CONNECTOR	插心直接頭	PT1/2"XΦ1/2"	1.00	EA
14.00	NV 00100590126	RELIEVE VALVE	洩載閥	PT1/2"X 4KG/CM^2	1.00	EA
15.00	NV 00077030706	PRESTO ADAPTER, ELBOW	90度彎肘快速接頭	PT1/4XΦ10(JPL10-02)	1.00	EA

REV	DESCRIPTION	DATE	ECN
A	新機種，成環管管接頭型號由GX1300#40變更為GX1300#40	2012/07/16	1003108
B	增加GX1300/1600#40	2012/05/10	1003827



- 分油塊  
NV 001023433A
- 環繞噴水蓋  
NV 000899073A
- 型油環  
NV 00094310229x2EA  
[JIS] G175

母機料號 NV 000331068AX

MODEL: GX 600/800/1000/1300#40/1600#40	
PART NAME	PART NUMBER
CIRCULAR FLUSHING	NVA000331045A
主車由環狀出水—成環管管接頭	PAGE 1 OF 1
DATE 2012/07/16	SCALE 1:6
REV. B	

PRODUCT BOM MASTER AND SUB-ITEMS LIST  
\*\*\*\*\*

Master Item Part NO.: NVA000331045A

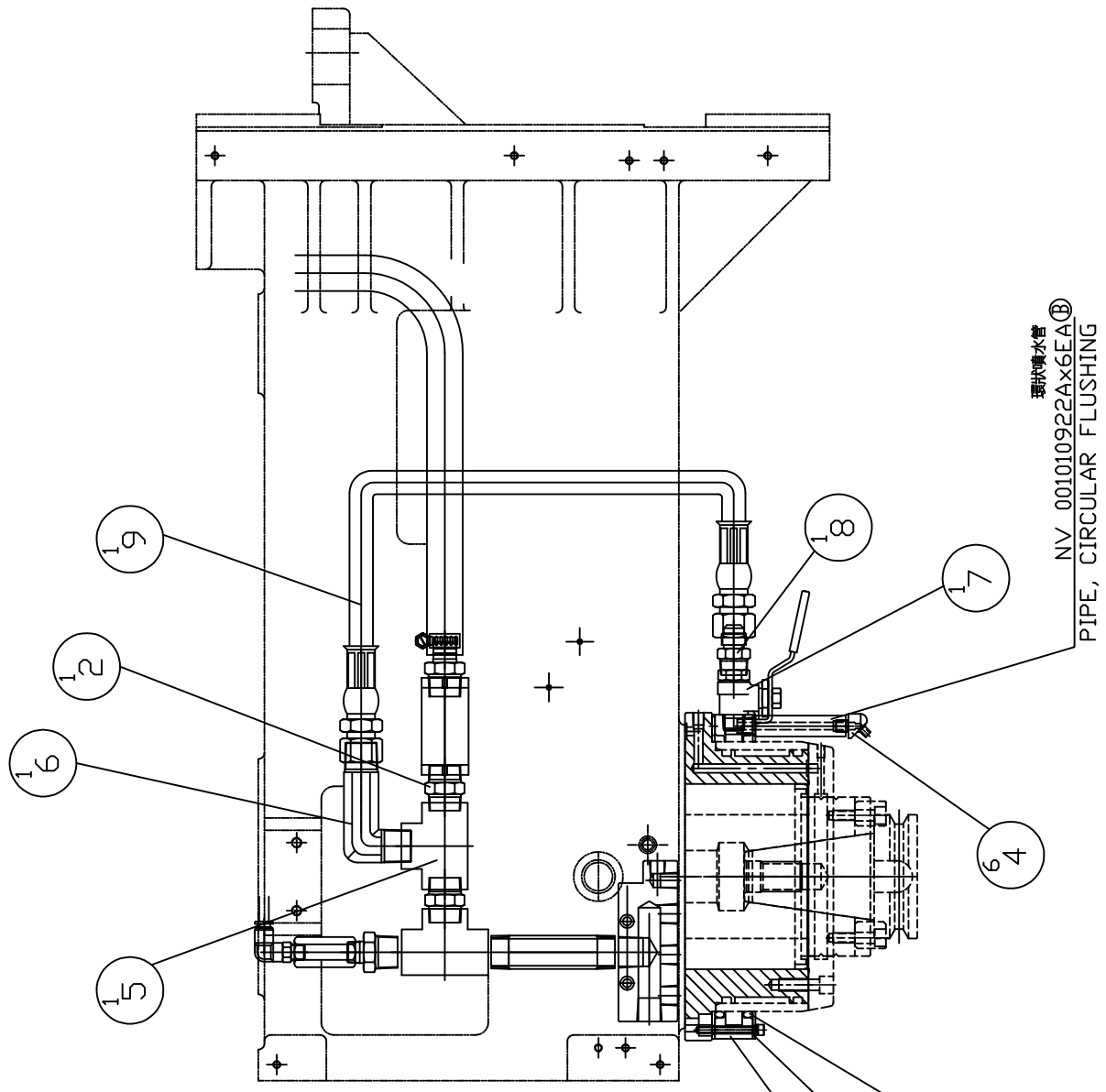
Description: CIRCULAR FLUSHING

主軸環狀出水-成套管路接頭

Item	Part NO.	Description	中文名稱	Specification	Qty	Unit
1.00	NV 001010922A	PIPE, CIRCULAR FLUSHING	環狀噴水管	L77.7XW17XH19.6	6.00	EA
2.00	NV 00077030207	CONNECTOR, STRAIGHT	直接頭	PT3/4"XPT3/4"	1.00	EA
3.00	NV 00070110121	NOZZLE, COOLANT	冷卻水噴嘴	NNPT 1/8-40 (650120)	3.00	EA
4.00	NV 00070110120	NOZZLE, COOLANT	冷卻水噴嘴	NNPT 1/8-20 (609990)	3.00	EA
5.00	NV 00077030405	TEE UNION	內螺紋三通	PT3/4"	1.00	EA
6.00	NV 00077031524	ELBOW, 90 DEG MALE	90度肘管接頭	PT3/4"(MALE)X3/4"-16UNF(MALE)	1.00	EA
7.00	NV 00100590304	VALVE, COOLANT	內外牙考克	PT3/8"	1.00	EA
8.00	NV 00077030240	NIPPLE, STRAIGHT	直接頭	PT3/8"X3/4"-16UNF	1.00	EA
9.00	NV 00069650301	HOSE, FLEXIBLE HYDRAULIC	耐油橡膠管(外覆鋼絲)	Φ 1/2"XW3/4"-16UNFX0.7M	1.00	EA



REV	DESCRIPTION	DATE	ECN
A	零件圖	2013/12/11	1003559
B	GX 001010922F-NV 001010922A	2013/12/11	1003843



- 分油嘴  
GX 001023433F x1EA
- 環狀噴水管  
GX 000899073F x2EA
- 型油環  
BL 00094310220 x2EA  
[JIS] G210

環狀噴水管  
NV 001010922Ax6EA<sup>Ⓡ</sup>  
PIPE, CIRCULAR FLUSHING

母機料號 GX 000331069FX

MODEL: GX 1300/1600#50	PART NUMBER	GX 000331047F
PART NAME	CIRCULAR FLUSHING<#50>	
主軸環狀出水-成套管路接頭<#50>	PAGE 1 OF 1	
DATE 2013/12/11	REV. B	
SCALE 1:6		

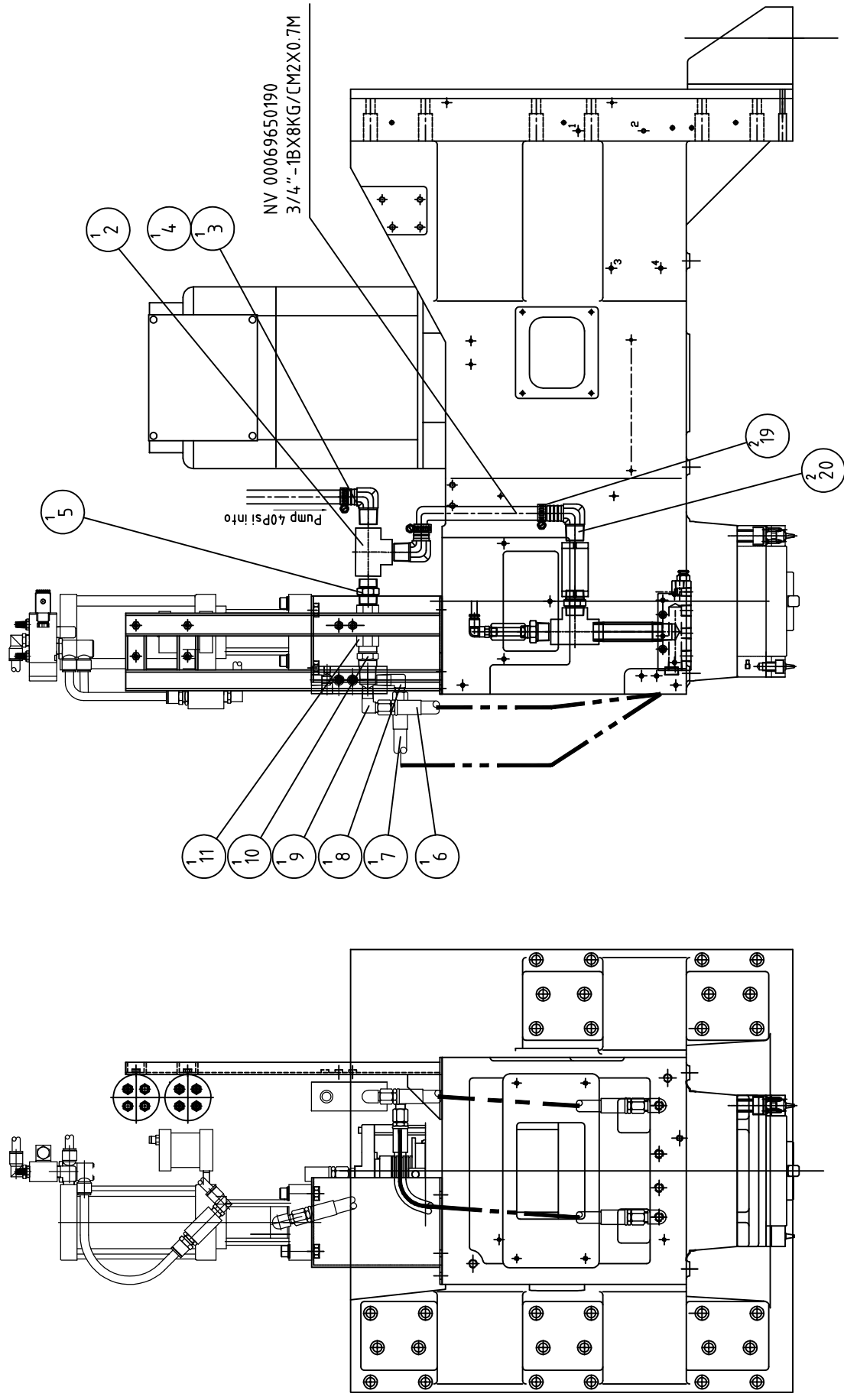
PRODUCT BOM MASTER AND SUB-ITEMS LIST  
\*\*\*\*\*

Master Item Part NO.: GX 000331047F

Description: CIRCULAR FLUSHING  
主軸環狀出水#50

Item	Part NO.	Description	中文名稱	Specification	Qty	Unit
2.00	NV 00077030207	CONNECTOR, STRAIGHT	直接頭	PT3/4"XPT3/4"	1.00	EA
4.00	NV 00070110145	NOZZLE, COOLANT	冷卻水噴嘴45度	JTAP-1/8-10	6.00	EA
5.00	NV 00077030405	TEE UNION	內螺紋三通	PT3/4"	1.00	EA
6.00	NV 00077031524	ELBOW, 90 DEG MALE	90度肘管接頭	PT3/4"(MALE)X3/4"-16UNF (MALE)	1.00	EA
7.00	NV 00100590304	VALVE, COOLANT	內外牙考克	PT3/8"	1.00	EA
8.00	NV 00077030240	NIPPLE, STRAIGHT	直接頭	PT3/8"X3/4"-16UNF	1.00	EA
9.00	NV 00069650301	HOSE, FLEXIBLE HYDRAULIC	耐油橡膠管(外覆鋼絲)	Φ 1/2"XW3/4"-16UNFX0.7M	1.00	EA

REV	DESCRIPTION	DATE	ENR
A	新設計	2016/5/19	10/04/103



搭配WEISS/GTW 12K-BELT(參考GX 000331049D)

MODEL: GX 1300#40/GX 1600#40	PART NUMBER	REV. A
CIRCULAR FLUSHING(WEISS/GTW)	GXA000331048D	
主車由環狀出水(WEISS/GTW)	PAGE 1 OF 1	
DATE 2016/5/19	SCALE 1:1	

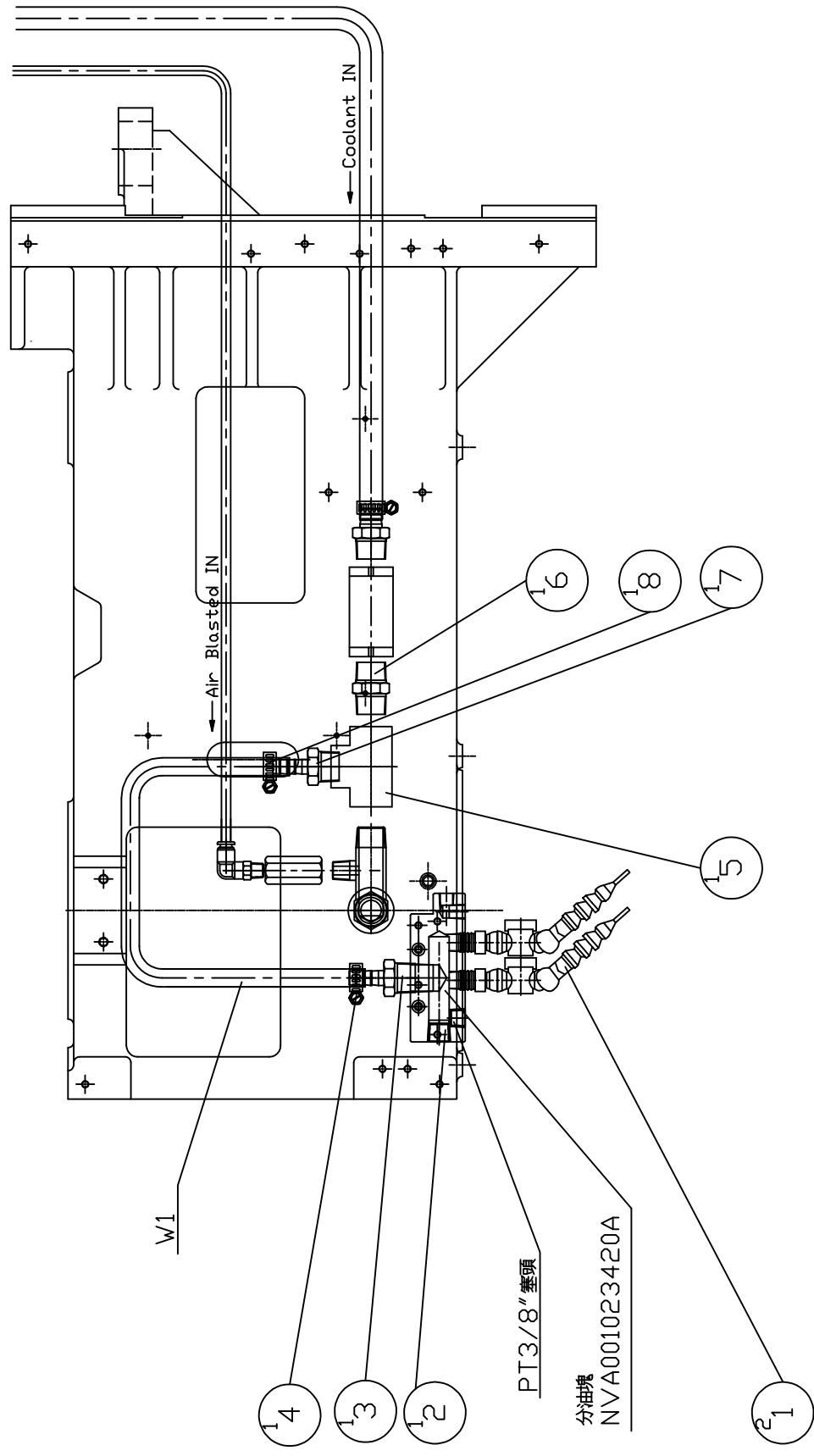
PRODUCT BOM MASTER AND SUB-ITEMS LIST  
\*\*\*\*\*

Master Item Part NO.: GXA000331048D

Description: CIRCULAR FLUSHING(WEISS/GTW)  
主軸環狀出水(WEISS/GTW)

Item	Part NO.	Description	中文名稱	Specification	Qty	Unit
2.00	NV 00077030405	TEE UNION	內螺紋三通	PT3/4"	1.00	EA
3.00	NV 00077030506	CONNECTOR, 90 DEGREE	90度插心接頭	PT3/4"XΦ 3/4"	1.00	EA
4.00	NV 00069660301	CLAMP, HOSE	不銹鋼管夾	1 1/4"(20-32MM)	1.00	EA
5.00	NV 00077030207	CONNECTOR, STRAIGHT	直接頭	PT3/4"XPT3/4"	1.00	EA
8.00	H12LA38T38S	HOSE ELBOW ADAPTER	直角接頭	3/8"PTX3/8"PS(XR 1000)	1.00	EA
9.00	H12LA38T38S	HOSE ELBOW ADAPTER	直角接頭	3/8"PTX3/8"PS(XR 1000)	1.00	EA
10.00	H16AA34T34T	CONNECTOR	直接頭	3/4"PT(XR 1000)	1.00	EA
11.01	XR 00100590136	CHECK VALVE	逆止閥(E00001 3/4)	PT3/4"(PN40-VITON)	1.00	ST
19.00	NV 00069660301	CLAMP, HOSE	不銹鋼管夾	1 1/4"(20-32MM)	2.00	EA
20.00	NV 00077030506	CONNECTOR, 90 DEGREE	90度插心接頭	PT3/4"XΦ 3/4"	2.00	EA

REV	DESCRIPTION	DATE	ECN
A	新增, 成塞管路接頭	2012/07/16	1003108



主軸箱右側加裝切削水(2水)  
母機序號 NV 000331069AX

MODEL: GX 600/800/1000/1300/1600/480#40/710#40
PART NAME PIPING PARTS(LATERAL COOLANT AT SPD SIDE) 切削水管路(主軸箱右側加裝切削水) 成塞管路接頭
PART NUMBER NVA000331029A
PAGE 1 OF 1
DATE 2012/07/16
SCALE 1:6
REV. A

標號	適用機型	料號	名稱	規格
W1	GX600/800/1000	NV 00069650190	耐油橡膠管	3/4"-1BX8KG/CM2X0.7M

PRODUCT BOM MASTER AND SUB-ITEMS LIST  
\*\*\*\*\*

Master Item Part NO.: NVA000331029A

Description: PIPING PARTS(LATERAL COOLANT)  
切削水管路(主軸箱右側加裝切削水)成套管路接頭

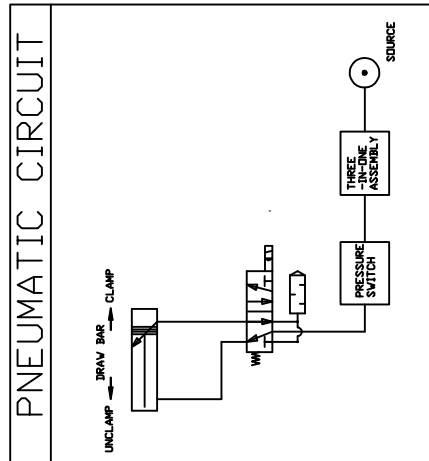
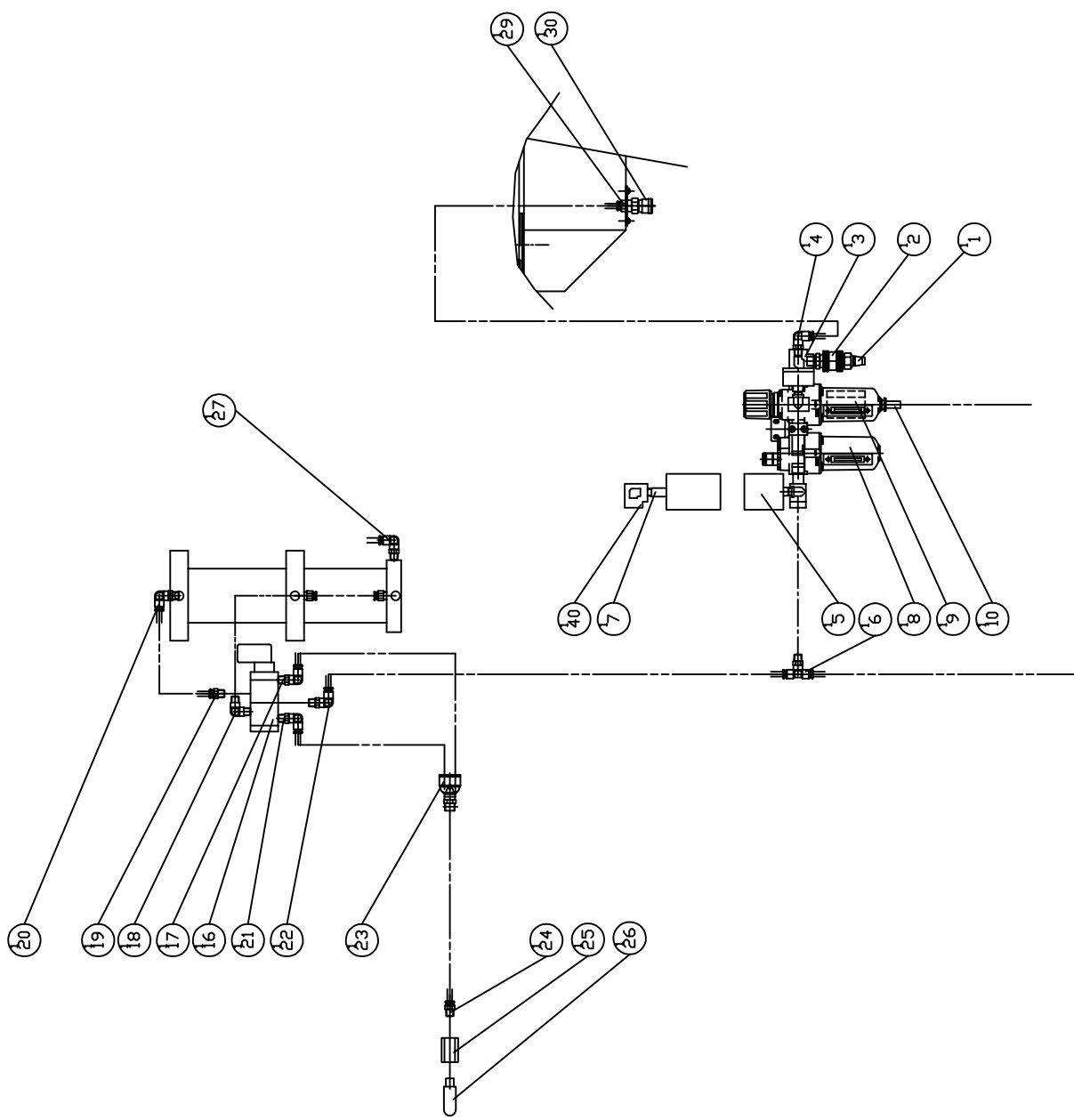
Item	Part NO.	Description	中文名稱	Specification	Qty	Unit
1.00	NV 00070110109	NOZZLE, COOLANT	冷卻水噴嘴(圓嘴附開關)	PT3/8"X13PXΦ9.5	2.00	ST
2.00	NV 00077031704	PLUG, SOCKET HEX.	塞頭	PT1/2	1.00	EA
3.00	NV 00077030505	CONNECTOR	插心直接頭	PT3/4"XΦ3/4	1.00	EA
4.00	NV 00069660304	CLAMP, HOSE (20KG/CM^2)	不銹鋼管夾(20KG/CM^2)	1 1/4"(20-32MM)	1.00	EA
5.00	NV 00077030405	TEE UNION	內螺紋三通	PT3/4"	1.00	EA
6.00	NV 00077030207	CONNECTOR, STRAIGHT	直接頭	PT3/4"XPT3/4"	1.00	EA
7.00	NV 00077030505	CONNECTOR	插心直接頭	PT3/4"XΦ3/4	1.00	EA
8.00	NV 00069660304	CLAMP, HOSE (20KG/CM^2)	不銹鋼管夾(20KG/CM^2)	1 1/4"(20-32MM)	1.00	EA

# **Chapter 4**

氣壓零組件

**Pneumatic Parts**

REV	DESCRIPTION	DATE	ECN
A	新機種	2007/1/1	
B	新機種 V 00100590301	2007/8/10	695
C	新機種 V 0017903-NV 000729022	2007/10/24	457



MODEL: GX 1300/1600	PART NUMBER	GX 000280430D
PART NAME	PNEUMATIC PARTS (Common w/o CTS)	
氣壓零組件 (固定件—無中心給水)	PAGE 1	OF 1
DATE 2007/1/1	SCALE 1:1	REV. C



# PRODUCT BOM MASTER AND SUB-ITEMS LIST

\*\*\*\*\*

Master Item Part NO.: GX 000280430D

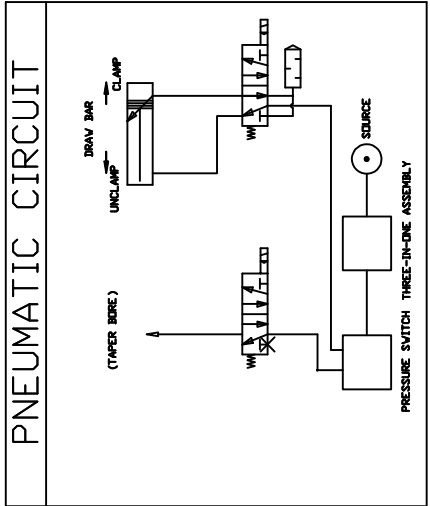
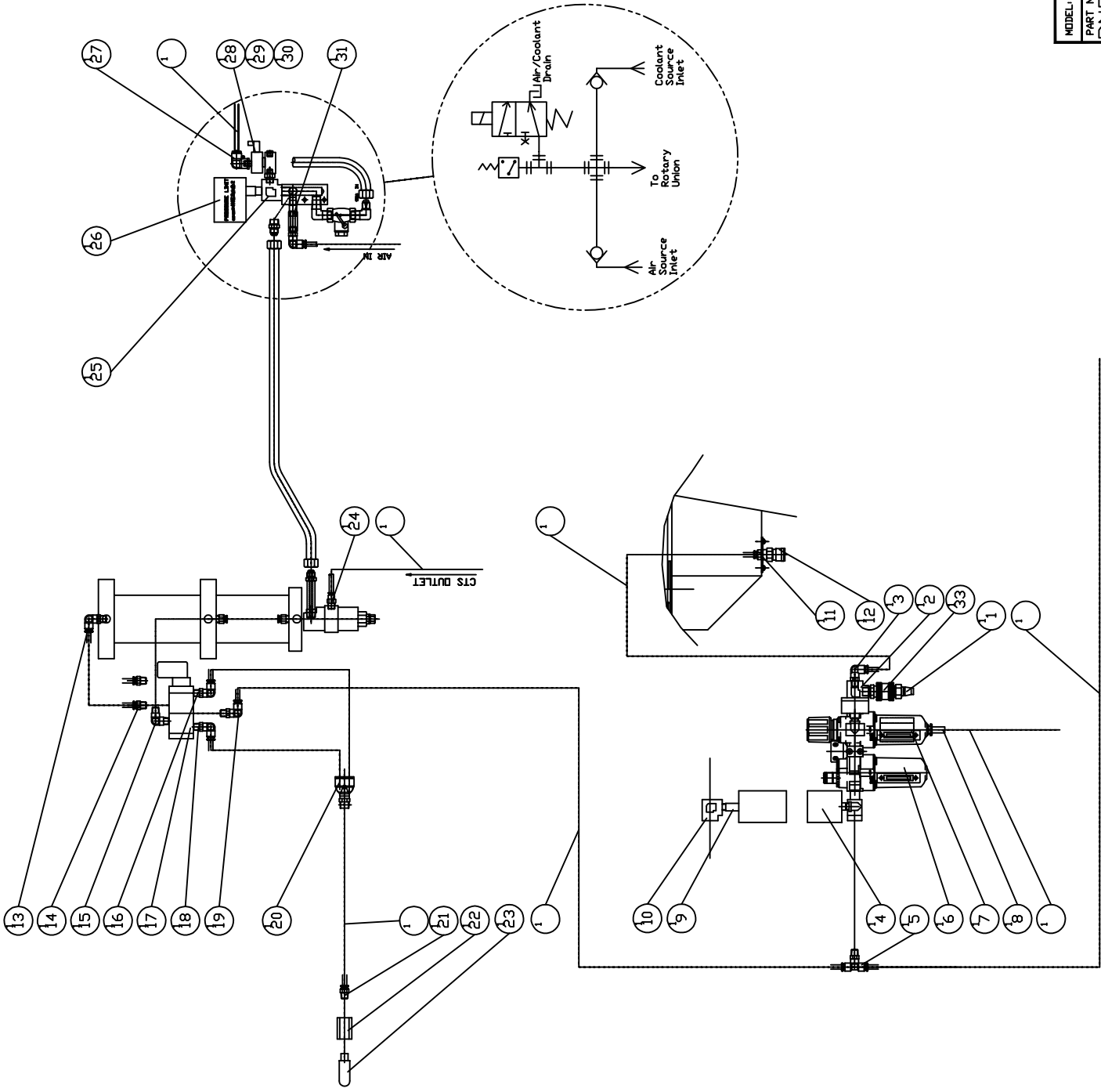
Description: PNEUMATIC PARTS(COMMON W/O CTS  
氣壓零組件(固定件-無中心給水)

Item Part NO.	Description	中文名稱	Specification	Qty	Unit
1.00 NV 00077031401	PRESTO ADAPTER, STRAIGHT MALE(	外牙直快速接頭(公)	PT3/8"(PM30)	1.00	EA
2.00 NV 00100590301	HAND SLIDE VALVE	滑動開關	PT3/8, MVHS-10A	1.00	EA
3.00 NV 00077031603	TEE ADAPTER, FEMALE&MALE	內外牙三通	PT3/8MXPT3/8FXPT3/8F(P104)	1.00	EA
4.00 NV 00077030701	PRESTO ADAPTER, ELBOW	90度彎肘快速接頭	PT3/8XΦ8(JPL-8-03)	1.00	EA
5.00 NV 00117360101	PRESSURE SWITCH(KP35)	壓力開關	0.2~7KG/CM2 1/4	1.00	EA
6.00 NV 00077031101	PRESTO ADAPTER, TEE	三通快速接頭	PT3/8XΦ12	1.00	EA
7.00 NV 00077030220	PIPE	2吋牙管	PT1/4XPT1/4X2"L(WEU-02-2)	1.00	EA
8.01 NV 00107790122	FILTER/REGULATOR UNIT	三聯組合(15U)	[MINDMAN] MACP401-10A-D(15UM)	1.00	EA
9.00 NV 00107790205	AUTOMATIC DRAIN WATER	自動排水器	FMRF300-AD-U	1.00	EA
10.00 NV 00077030801	STRAIGHT, PRESTO ADAPTER	直型快速接頭	PT1/8(F)XΦ8(JPG8-01)	1.00	EA
16.00 NV 00030480102	VALVE, PT3/8 2 WAY PNEUMATIC	氣壓電磁閥(五口二位單線圈)	PT3/8" DC24V(MVSD-300-4E1)	1.00	EA
17.00 NV 00077030703	PRESTO ADAPTER, ELBOW	90度彎肘快速接頭	PT3/8XΦ12	1.00	EA
18.00 NV 00077031515	ELBOW, 90 DEG MALE	90度外雙螺紋肘管	PT3/8"XPT3/8"	1.00	EA
19.00 NV 00077030803	STRAIGHT, PRESTO ADAPTER	直型快速接頭	PT3/8XΦ12(JPC12-03)	1.00	EA
20.00 NV 00077030703	PRESTO ADAPTER, ELBOW	90度彎肘快速接頭	PT3/8XΦ12	1.00	EA
21.00 NV 00077030703	PRESTO ADAPTER, ELBOW	90度彎肘快速接頭	PT3/8XΦ12	1.00	EA
22.00 NV 00077030703	PRESTO ADAPTER, ELBOW	90度彎肘快速接頭	PT3/8XΦ12	1.00	EA
23.00 NV 00077031001	PRESTO ADAPTER,Y	Y型快速接頭	JPY12	1.00	EA
24.00 NV 00077030804	STRAIGHT, PRESTO ADAPTER	直型快速接頭	PT1/2XΦ12	1.00	EA
25.00 NV 00077030606	UNION	直雙內牙接頭	PT1/2XPT3/8(P056)	1.00	EA

PRODUCT BOM MASTER AND SUB-ITEMS LIST  
\*\*\*\*\*

Item	Part NO.	Description	中文名稱	Specification	Qty	Unit
26.00	NV 00113350108	MUFFLER, BREATHER	消音器	PT3/8(MSR-03-B)	1.00	EA
27.00	NV 00077030705	PRESTO ADAPTER, ELBOW	90度彎肘快速接頭	PT1/8XΦ8	1.00	EA
29.00	NV 00077030806	STRAIGHT, PRESTO ADAPTER	直型快速接頭	PT1/4XΦ8(JPC8-02)	1.00	EA
30.00	NV 00077030901	PRESTO ADAPTER, STRIGHT(FEMALE)	內牙直快速接頭(母)	PT1/4"(SF20)	1.00	EA
40.00	NV 00077031601	TEE ADAPTER, FEMALE&MALE	內外牙三通	PT3/8MXPT3/8FXPT1/4F	1.00	EA

REV	DESCRIPTION	DATE	ECN
A	新機種	2007/3/8	
B	新機種 NY 00100590301	2007/8/10	695
C	零件標準化	2007/10/8	476
D	新機種 NY 00077902-NY 00077903-NY	2007/1/5	115
E	新機種 NY 00077903-NY 00077902	2007/1/10	457



MODEL: GX 1300/GX 1600	PART NUMBER: GX 000280432D
PNEUMATIC PARTS <CTS>	PAGE 1 OF 1
氣壓零件組件 <固定件-中心給水>	REV. E
DATE 2007/3/8	SCALE 1:12
ENTERKIN PHIL	

# PRODUCT BOM MASTER AND SUB-ITEMS LIST

\*\*\*\*\*

Master Item Part NO.: GX 000280432D

Description: PNEUMATIC PARTS (CTS)

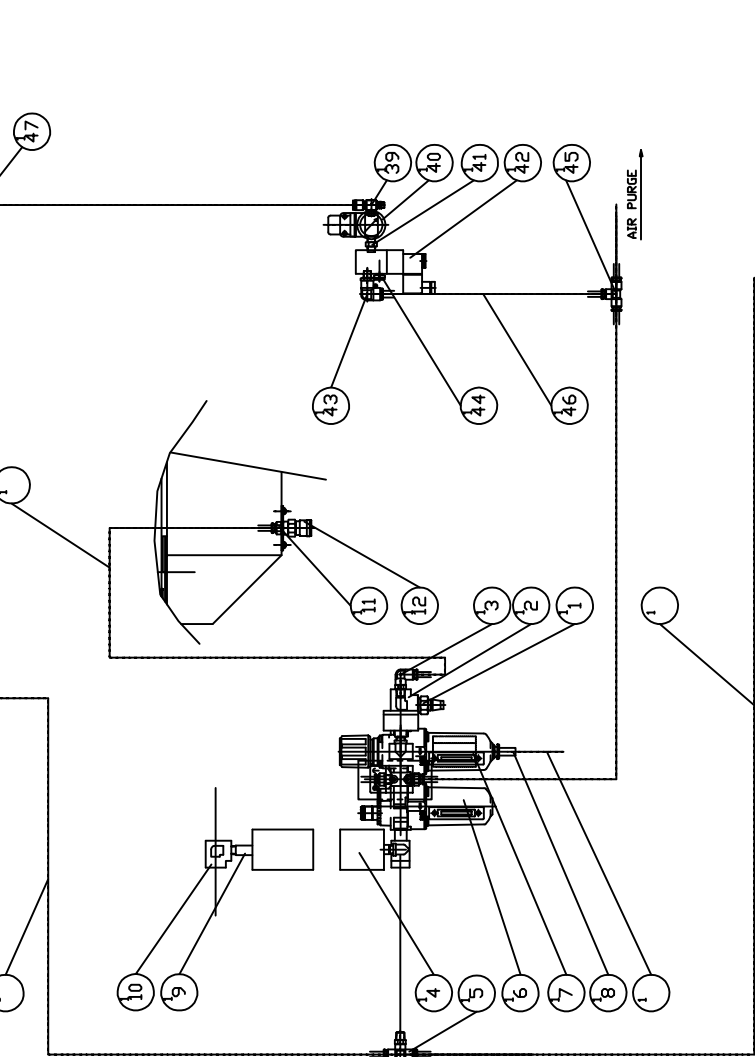
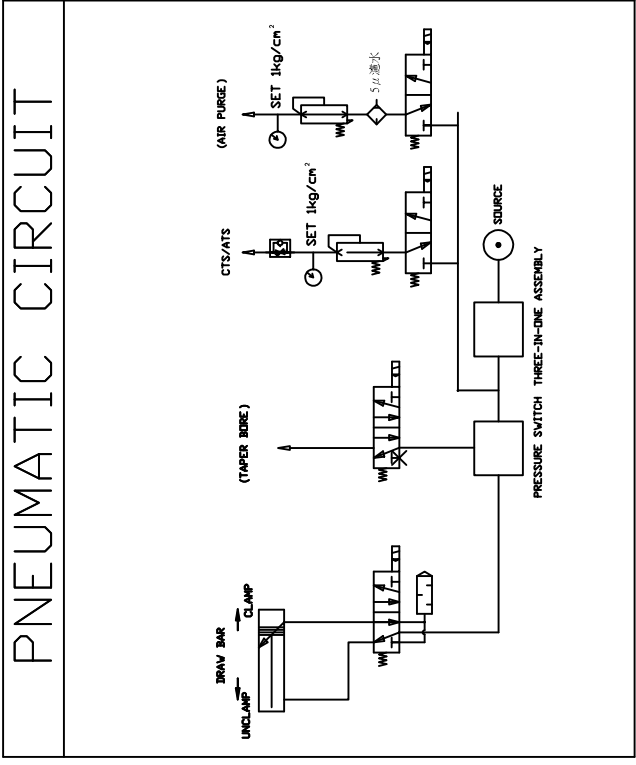
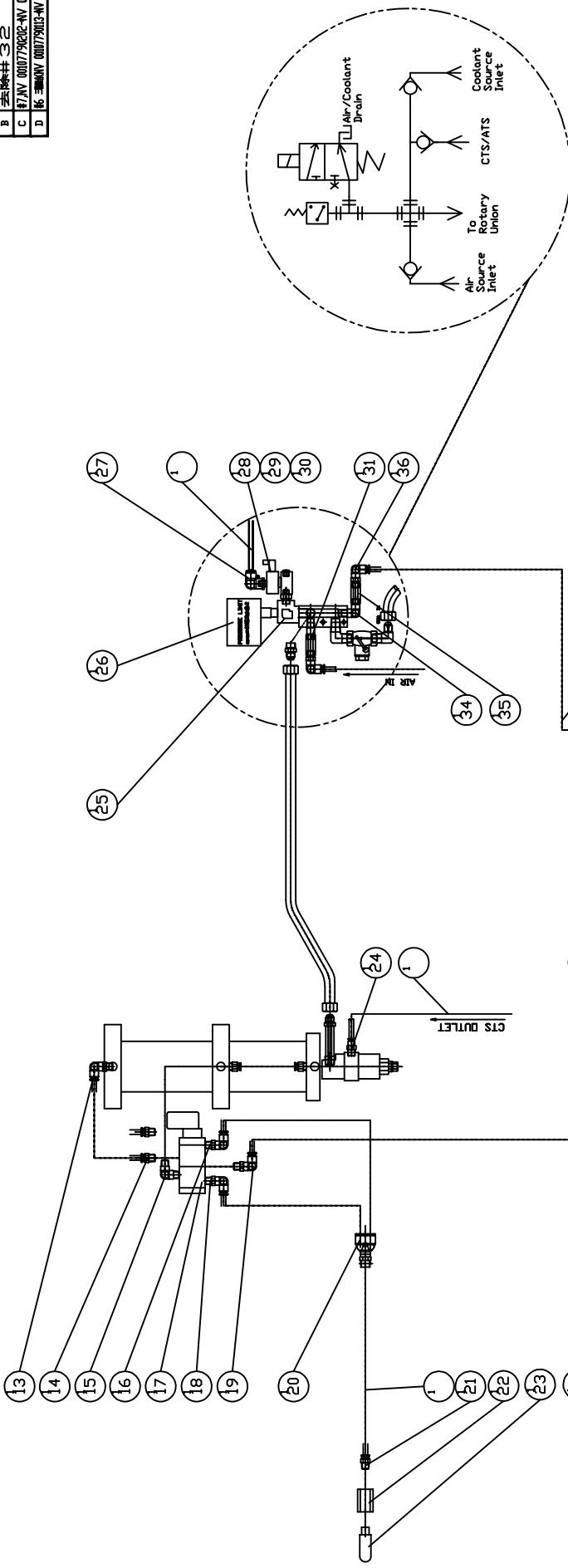
氣壓零組件 (固定件-中心給水)

Item Part NO.	Description	中文名稱	Specification	Qty	Unit
1.00 NV 00077031401	PRESTO ADAPTER, STRAIGHT MALE(	外牙直快速接頭(公)	PT3/8"(PM30)	1.00	EA
2.00 NV 00077031603	TEE ADAPTER, FEMALE&MALE	內外牙三通	PT3/8MXPT3/8FXPT3/8F(P104)	1.00	EA
3.00 NV 00077030701	PRESTO ADAPTER, ELBOW	90度彎肘快速接頭	PT3/8XΦ8(JPL-8-03)	1.00	EA
4.00 NV 00117360101	PRESSURE SWITCH(KP35)	壓力開關	0.2~7KG/CM2 1/4	1.00	EA
5.00 NV 00077031101	PRESTO ADAPTER, TEE	三通快速接頭	PT3/8XΦ12	1.00	EA
6.01 NV 00107790122	FILTER/REGULATOR UNIT	三聯組合(15U)	[MINDMAN] MACP401-10A-D(15UM)	1.00	EA
7.01 NV 00107790205	AUTOMATIC DRAIN WATER	自動排水器	FMRF300-AD-U	1.00	EA
8.00 NV 00077030801	STRAIGHT, PRESTO ADAPTER	直型快速接頭	PT1/8(F)XΦ8(JPG8-01)	1.00	EA
9.00 NV 00077030220	PIPE	2吋牙管	PT1/4XPT1/4X2"L(WEU-02-2)	1.00	EA
10.00 NV 00077031601	TEE ADAPTER, FEMALE&MALE	內外牙三通	PT3/8MXPT3/8FXPT1/4F	1.00	EA
11.00 NV 00077030806	STRAIGHT, PRESTO ADAPTER	直型快速接頭	PT1/4XΦ8(JPC8-02)	1.00	EA
12.00 NV 00077030901	PRESTO ADAPTER, STRIGHT(FEMALE	內牙直快速接頭(母)	PT1/4"(SF20)	1.00	EA
13.00 NV 00077030703	PRESTO ADAPTER, ELBOW	90度彎肘快速接頭	PT3/8XΦ12	1.00	EA
14.00 NV 00077030803	STRAIGHT, PRESTO ADAPTER	直型快速接頭	PT3/8XΦ12(JPC12-03)	1.00	EA
15.00 NV 00077031515	ELBOW, 90 DEG MALE	90度外雙螺紋肘管	PT3/8"XPT3/8"	1.00	EA
16.00 NV 00077030703	PRESTO ADAPTER, ELBOW	90度彎肘快速接頭	PT3/8XΦ12	1.00	EA
17.00 NV 00030480102	VALVE, PT3/8 2 WAY PNEUMATIC	氣壓電磁閥(五口二位單線圈)	PT3/8" DC24V(MVSD-300-4E1)	1.00	EA
18.00 NV 00077030703	PRESTO ADAPTER, ELBOW	90度彎肘快速接頭	PT3/8XΦ12	1.00	EA
19.00 NV 00077030703	PRESTO ADAPTER, ELBOW	90度彎肘快速接頭	PT3/8XΦ12	1.00	EA
20.00 NV 00077031001	PRESTO ADAPTER,Y	Y型快速接頭	JPY12	1.00	EA

PRODUCT BOM MASTER AND SUB-ITEMS LIST  
\*\*\*\*\*

Item	Part NO.	Description	中文名稱	Specification	Qty	Unit
21.00	NV 00077030804	STRAIGHT, PRESTO ADAPTER	直型快速接頭	PT1/2XΦ12	1.00	EA
22.00	NV 00077030606	UNION	直雙內牙接頭	PT1/2XPT3/8(P056)	1.00	EA
23.00	NV 00113350108	MUFFLER, BREATHER	消音器	PT3/8(MSR-03-B)	1.00	EA
24.00	NV 00077030806	STRAIGHT, PRESTO ADAPTER	直型快速接頭	PT1/4XΦ8(JPC8-02)	1.00	EA
25.00	NV 00077031601	TEE ADAPTER, FEMALE&MALE	內外牙三通	PT3/8MXPT3/8FXPT1/4F	1.00	EA
26.00	NV 00117360108	PRESSURE SWITCH (CTS)	壓力開關(CTS)	(BN-1252-10A) 4~20KG/CM2XPT3/8	1.00	EA
27.00	NV 00077032301	PRESTO ADAPTER, BLBOW	90度彎肘快速接頭	PT1/8"(F)XΦ6	1.00	EA
28.00	NV 00077030214	NIPPLE, STRAIGHT	直接頭	PT1/4"XPT1/8"X30L	1.00	EA
29.00	NV 00030480109	SOLENOID VALVE,3WAY-2POSITION	氣壓電磁閥(三口二位單線圈NORMAL OPEN)	1/8" AC110V 31A3GV10-U, 3WAY-	1.00	EA
30.00	NV 00077031701	PLUG, SOCKET HEX.	塞頭	PT1/8	1.00	EA
31.00	NV 00100590104	CHECK VALVE, AIR	風壓逆止閥	PT1/4"	1.00	EA
33.00	NV 00100590301	HAND SLIDE VALVE	滑動開關	PT3/8, MVHS-10A	1.00	EA

REV	DESCRIPTION	DATE	ECN
A	新編	2008/4/1	1151
B	変更部 3 已	2008/08/14	1476
C	#7/AV 00073902-NV 00073903 2007/1/15	2007/1/15	115
D	#6 3MM/AV 00073903-NV 00073902 2006/11/04	2006/11/04	457



MODEL: GX 1300/GX 1600	PART NUMBER: GX 000280449D
PNEUMATIC PARTS (CTS+ATS)	PAGE 1 OF 1
氣壓零組件 (固定件-中心給水+中心給風)	REV. D
DATE 2008/4/1	SCALE 1:12
AUSTIN	COM

# PRODUCT BOM MASTER AND SUB-ITEMS LIST

\*\*\*\*\*

Master Item Part NO.: GX 000280449D

Description: PNEUMATIC PARTS (CTS/ATS)  
氣壓零組件 (固定件-中心給水/中心出風)

Item Part NO.	Description	中文名稱	Specification	Qty	Unit
1.00	NV 00077031401 PRESTO ADAPTER, STRAIGHT MALE(	外牙直快速接頭(公)	PT3/8"(PM30)	1.00	EA
2.00	NV 00077031603 TEE ADAPTER, FEMALE&MALE	內外牙三通	PT3/8MXPT3/8FXPT3/8F(P104)	1.00	EA
3.00	NV 00077030701 PRESTO ADAPTER, ELBOW	90度彎肘快速接頭	PT3/8XΦ8(JPL-8-03)	1.00	EA
4.00	NV 00117360101 PRESSURE SWITCH(KP35)	壓力開關	0.2~7KG/CM2 1/4	1.00	EA
5.00	NV 00077031101 PRESTO ADAPTER, TEE	三通快速接頭	PT3/8XΦ12	1.00	EA
6.01	NV 00107790122 FILTER/REGULATOR UNIT	三聯組合(15U)	[MINDMAN] MACP401-10A-D(15UM)	1.00	EA
7.01	NV 00107790205 AUTOMATIC DRAIN WATER	自動排水器	FMRF300-AD-U	1.00	EA
8.00	NV 00077030801 STRAIGHT, PRESTO ADAPTER	直型快速接頭	PT1/8(F)XΦ8(JPG8-01)	1.00	EA
9.00	NV 00077030220 PIPE	2吋牙管	PT1/4XPT1/4X2"L(WEU-02-2)	1.00	EA
10.00	NV 00077031601 TEE ADAPTER, FEMALE&MALE	內外牙三通	PT3/8MXPT3/8FXPT1/4F	1.00	EA
11.00	NV 00077030806 STRAIGHT, PRESTO ADAPTER	直型快速接頭	PT1/4XΦ8(JPC8-02)	1.00	EA
12.00	NV 00077030901 PRESTO ADAPTER, STRIGHT(FEMALE	內牙直快速接頭(母)	PT1/4"(SF20)	1.00	EA
13.00	NV 00077030703 PRESTO ADAPTER, ELBOW	90度彎肘快速接頭	PT3/8XΦ12	1.00	EA
14.00	NV 00077030803 STRAIGHT, PRESTO ADAPTER	直型快速接頭	PT3/8XΦ12(JPC12-03)	1.00	EA
15.00	NV 00077031515 ELBOW, 90 DEG MALE	90度外雙螺紋肘管	PT3/8"XPT3/8"	1.00	EA
16.00	NV 00077030703 PRESTO ADAPTER, ELBOW	90度彎肘快速接頭	PT3/8XΦ12	1.00	EA
17.00	NV 00030480102 VALVE, PT3/8 2 WAY PNEUMATIC	氣壓電磁閥(五口二位單線圈)	PT3/8" DC24V(MVSD-300-4E1)	1.00	EA
18.00	NV 00077030703 PRESTO ADAPTER, ELBOW	90度彎肘快速接頭	PT3/8XΦ12	1.00	EA
19.00	NV 00077030703 PRESTO ADAPTER, ELBOW	90度彎肘快速接頭	PT3/8XΦ12	1.00	EA
20.00	NV 00077031001 PRESTO ADAPTER,Y	Y型快速接頭	JPY12	1.00	EA

\*\*\*\*\*  
**PRODUCT BOM MASTER AND SUB-ITEMS LIST**  
 \*\*\*\*\*

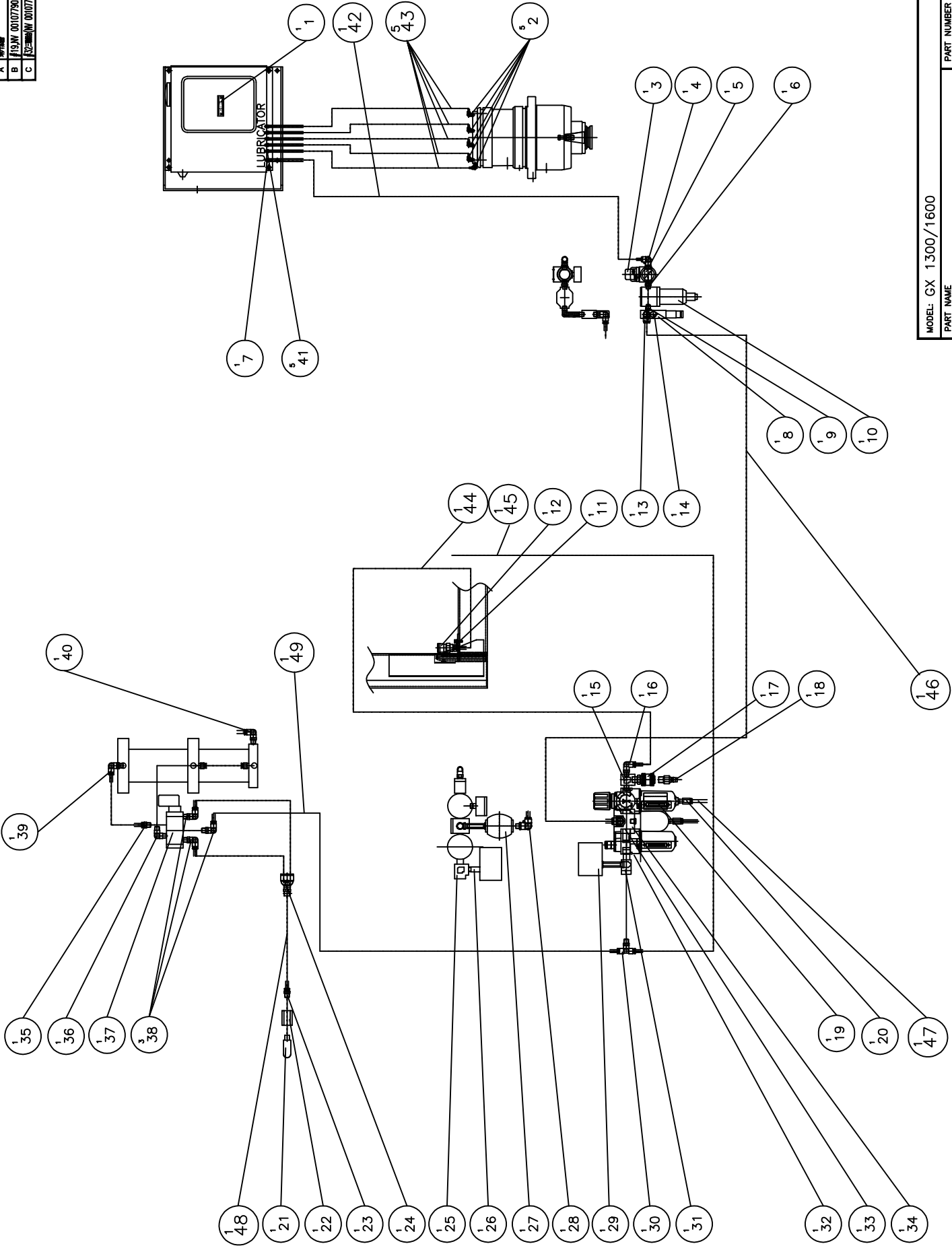
Item	Part NO.	Description	中文名稱	Specification	Qty	Unit
21.00	NV 00077030804	STRAIGHT, PRESTO ADAPTER	直型快速接頭	PT1/2XΦ12	1.00	EA
22.00	NV 00077030606	UNION	直雙內牙接頭	PT1/2XPT3/8(P056)	1.00	EA
23.00	NV 00113350108	MUFFLER, BREATHER	消音器	PT3/8(MSR-03-B)	1.00	EA
24.00	NV 00077030806	STRAIGHT, PRESTO ADAPTER	直型快速接頭	PT1/4XΦ8(JPC8-02)	1.00	EA
25.00	NV 00077031601	TEE ADAPTER, FEMALE&MALE	內外牙三通	PT3/8MXPT3/8FXPT1/4F	1.00	EA
26.00	NV 00117360108	PRESSURE SWITCH (CTS)	壓力開關(CTS)	(BN-1252-10A) 4~20KG/CM2XPT3/8	1.00	EA
27.00	NV 00077032301	PRESTO ADAPTER, BLBOW	90度彎肘快速接頭	PT1/8"(F)XΦ6	1.00	EA
28.00	NV 00077030214	NIPPLE, STRAIGHT	直接頭	PT1/4"XPT1/8"X30L	1.00	EA
29.00	NV 00030480109	SOLENOID VALVE,3WAY-2POSITION	氣壓電磁閥(三口二位單線圈NORMAL OPEN)	1/8" AC110V 31A3GV10-U, 3WAY-	1.00	EA
30.00	NV 00077031701	PLUG, SOCKET HEX.	塞頭	PT1/8	1.00	EA
31.00	NV 00100590104	CHECK VALVE, AIR	風壓逆止閥	PT1/4"	1.00	EA
33.00	NV 00100590301	HAND SLIDE VALVE	滑動開關	PT3/8, MVHS-10A	1.00	EA
34.00	NV 00077031906	ELBOW, 90 DEG, MALE, LENGTHEN	90度肘管接頭(一邊加長)	PT1/4"(MALE)XPT1/4"(MALE)-一邊加長	1.00	EA
35.00	NV 00100590104	CHECK VALVE, AIR	風壓逆止閥	PT1/4"	1.00	EA
36.00	NV 00077030702	PRESTO ADAPTER, ELBOW	90度彎肘快速接頭	PT1/4XΦ8(JPL8-02)	1.00	EA
39.00	NV 00077031303	PRESTO ADAPTER, ELBOW(ADJUSTAB	90度彎肘快速接頭(附調速)	PT1/4XΦ8(JSC8-02A)	1.00	EA
40.00	NV 00107790109	FINE REGULATOR	迷你微壓調壓器美	1/4(R55-2)	1.00	EA
41.00	NV 00077030206	NIPPLE, STRAIGHT	立布(1")	PT1/4"XPT1/4"(L=25.4MM)	1.00	EA
42.00	NV 00030480104	VALVE, PT1/4 2 WAY PNEUMATIC	氣壓電磁閥(三口二位單線圈)	PT1/4 "DC24V(MVSC-220-3E1-NC)	1.00	EA
43.00	NV 00077030706	PRESTO ADAPTER, ELBOW	90度彎肘快速接頭	PT1/4XΦ10(JPL10-02)	1.00	EA
44.00	NV 00113350103	MUFFLER, BREATHER	消音器	PT1/4(SL-02Q)	1.00	EA
45.00	NV 00077031116	PRESTO ADAPTER, TEE	三通快速接頭	Φ10 X Φ10X Φ10	1.00	EA
46.00	NV 00070070215	TUBING, PNEUMATIC	風壓用管	PU Φ10XΦ6.5(MINDMAN)0.5M	1.00	EA



PRODUCT BOM MASTER AND SUB-ITEMS LIST  
\*\*\*\*\*

Item	Part NO.	Description	中文名稱	Specification	Qty	Unit
47.00	NV 00070070233	TUBING,PNEUMATIC	風壓用管	PU Φ10XΦ6.5(MINDMAN)3.1M	1.00	EA

REV	DESCRIPTION	DATE	ECH
A	2008/4/2	1 1 5 8	
B	19 AW 01073002-AW 01073003	2008/05	2 1 1 8
C	19 AW 01073002-AW 01073003	2008/05	2 4 5 7



MODEL: GX 1300/1600
PART NAME: PNEUMATIC PARTS(OIL-AIR)
PART NUMBER: GX 000280440D
DATE: 2008/4/2
SCALE: 1:15
REV: C
DRAWN: KIN PHIL
CHECKED: PHIL
DATE: 2008/4/2
PAGE: 1 OF 1

# PRODUCT BOM MASTER AND SUB-ITEMS LIST

\*\*\*\*\*

Master Item Part NO.: GX 000280440D

Description: PNEUMATIC PARTS(OIL AIR)

氣壓零組件(OIL-AIR)

Item	Part NO.	Description	中文名稱	Specification	Qty	Unit
1.00	NV 001030301A	TAG, OIL LEVEL (12K/15K-RPM/S	油霧機油位標籤(12K/15K-RPM/SHOWA)	L56XW16	1.00	EA
2.00	NV 00077030709	PRESTO ADAPTER, ELBOW	90度彎肘快速接頭	PT1/8XΦ4(PISCO,PL4-01)	5.00	EA
3.00	NV 00107790109	FINE REGULATOR	迷你微壓調壓器美	1/4(R55-2)	1.00	EA
4.00	NV 00077030702	PRESTO ADAPTER, ELBOW	90度彎肘快速接頭	PT1/4XΦ8(JPL8-02)	1.00	EA
5.00	NV 00115370104	GAGE, PRESSURE	壓力錶	PT1/8"X10KGXΨ 11/2"(P-A1510)	1.00	EA
6.00	NV 00077030206	NIPPLE, STRAIGHT	立布(1")	PT1/4"XPT1/4"(L=25.4MM)	1.00	EA
7.00	NV 00077030823	STRAIGHT, PRESTO ADAPTER	直型快速接頭(公)	PT1/8(MALE)XΦ8(JPC8-01)	1.00	EA
8.00	NV 00030480104	VALVE, PT1/4 2 WAY PNEUMATIC	氣壓電磁閥(三口二位單線圈)	PT1/4 "DC24V(MVSC-220-3E1-NC)	1.00	EA
9.00	NV 00077031908	ELBOW, 90 DEG, MALE, LENGTHEN	90度肘管接頭(一邊加長電鍍)折贏	PT1/4"(MALE)XPT1/4"(MALE)一邊加長	1.00	EA
10.00	NV 00107790110	FILTER(5U)	過濾器(5U)	1/4 MAF300(27T0-8A)	1.00	EA
11.00	NV 00077030806	STRAIGHT, PRESTO ADAPTER	直型快速接頭	PT1/4XΦ8(JPC8-02)	1.00	EA
12.00	NV 00077030901	PRESTO ADAPTER, STRIGHT(FEMALE	內牙直快速接頭(母)	PT1/4"(SF20)	1.00	EA
13.00	NV 00077030706	PRESTO ADAPTER, ELBOW	90度彎肘快速接頭	PT1/4XΦ10(JPL10-02)	1.00	EA
14.00	NV 00113350103	MUFFLER, BREATHER	消音器	PT1/4(SL-02Q)	1.00	EA
15.00	NV 00077031603	TEE ADAPTER, FEMALE&MALE	內外牙三通	PT3/8MXPT3/8FXPT3/8F(P104)	1.00	EA
16.00	NV 00077030701	PRESTO ADAPTER, ELBOW	90度彎肘快速接頭	PT3/8XΦ8(JPL8-03)	1.00	EA
17.00	NV 00100590301	HAND SLIDE VALVE	滑動開關	PT3/8, MVHS-10A	1.00	EA
18.00	NV 00077031401	PRESTO ADAPTER, STRAIGHT MALE(	外牙直快速接頭(公)	PT3/8"(PM30)	1.00	EA
19.01	NV 00107790205	AUTOMATIC DRAIN WATER	自動排水器	FMRF300-AD-U	1.00	EA
20.00	NV 00077030801	STRAIGHT, PRESTO ADAPTER	直型快速接頭	PT1/8(F)XΦ8(JPG8-01)	1.00	EA

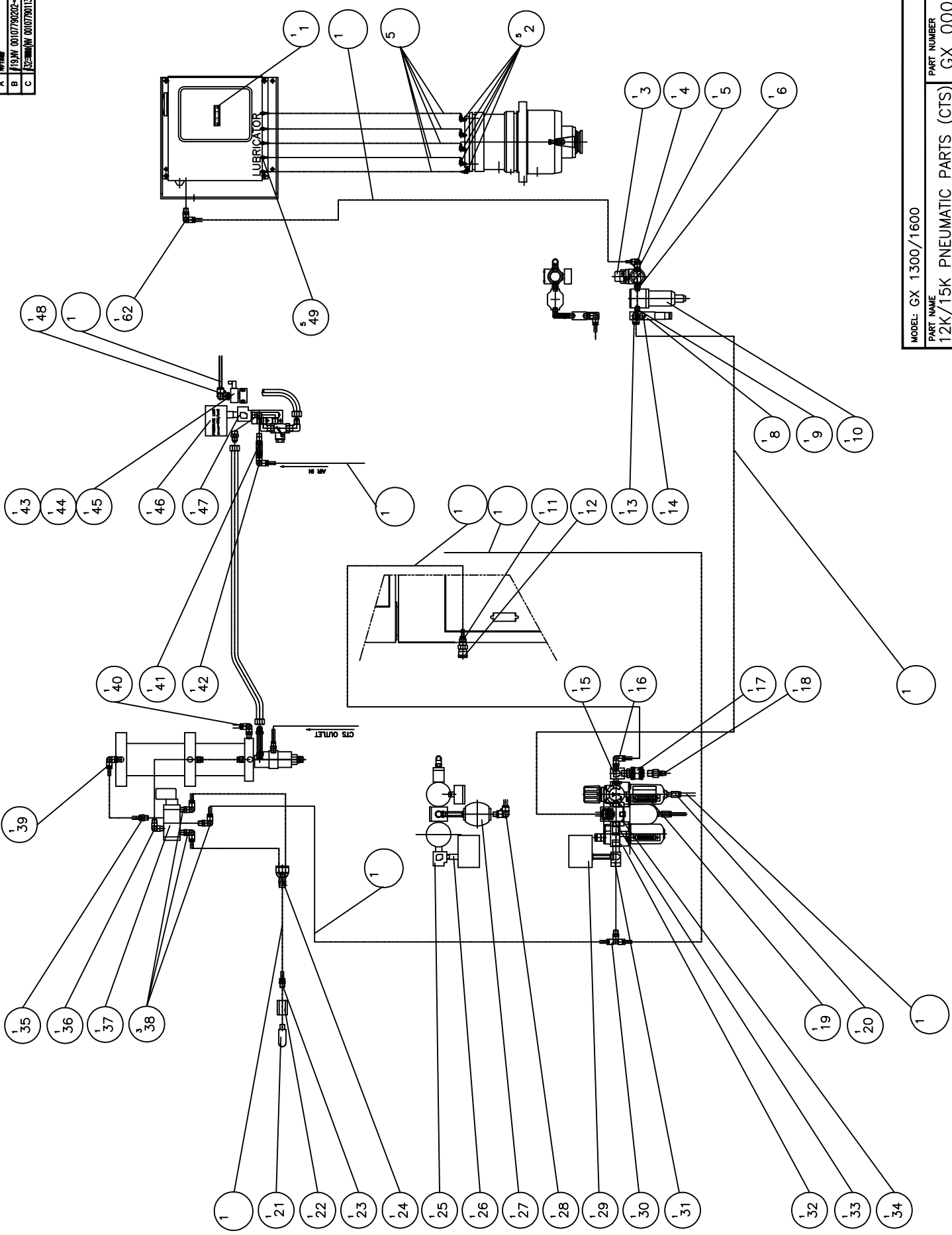
\*\*\*\*\*  
**PRODUCT BOM MASTER AND SUB-ITEMS LIST**  
 \*\*\*\*\*

Item	Part NO.	Description	中文名稱	Specification	Qty	Unit
21.00	NV 00113350108	MUFFLER, BREATHER	消音器	PT3/8(MSR-03-B)	1.00	EA
22.00	NV 00077030606	UNION	直雙內牙接頭	PT1/2XPT3/8(P056)	1.00	EA
23.00	NV 00077030804	STRAIGHT, PRESTO ADAPTER	直型快速接頭	PT1/2XΦ12	1.00	EA
24.00	NV 00077031001	PRESTO ADAPTER,Y	Y型快速接頭	JPY12	1.00	EA
25.00	NV 00077031601	TEE ADAPTER, FEMALE&MALE	內外牙三通	PT3/8MXPT3/8FXPT1/4F	1.00	EA
26.00	NV 00077030220	PIPE	2吋牙管	PT1/4XPT1/4X2"L(WEU-02-2)	1.00	EA
27.00	NV 00107790203	AIR DRYER DEVICE	濾水器自動排水器	WSA-C2-F00	1.00	EA
28.00	NV 00077030811	STRAIGHT, PRESTO ADAPTER	直型快速接頭	PT1/4XΦ10(JPC10-02)	1.00	EA
29.00	NV 00117360101	PRESSURE SWITCH(KP35)	壓力開關	0.2~7KG/CM2 1/4	1.00	EA
30.00	NV 00077031101	PRESTO ADAPTER, TEE	三通快速接頭	PT3/8XΦ12	1.00	EA
31.00	NV 00077030301	ELBOW, BRASS 90 DEG FEMALE	90度內雙螺紋肘管	PT1/4XPT1/4(P085)	1.00	EA
32.01	NV 00107790122	FILTER/REGULATOR UNIT	三聯組合(15U)	[MINDMAN] MACP401-10A-D(15UM)	1.00	EA
33.00	NV 00107790304	CROSS UNION(FILTER/REGULATOR U	三聯組合用四通閥	P101-2(MINDMAN),PTF1/4"X2	1.00	EA
34.00	NV 00077031702	PLUG, SOCKET HEX.	塞頭(內六角)	PT1/4(AM030002T)	1.00	EA
35.00	NV 00077030803	STRAIGHT, PRESTO ADAPTER	直型快速接頭	PT3/8XΦ12(JPC12-03)	1.00	EA
36.00	NV 00077031515	ELBOW, 90 DEG MALE	90度外雙螺紋肘管	PT3/8"XPT3/8"	1.00	EA
37.00	NV 00030480102	VALVE, PT3/8 2 WAY PNEUMATIC	氣壓電磁閥(五口二位單線圈)	PT3/8" DC24V(MVSD-300-4E1)	1.00	EA
38.00	NV 00077030703	PRESTO ADAPTER, ELBOW	90度彎肘快速接頭	PT3/8XΦ12	3.00	EA
39.00	NV 00077030703	PRESTO ADAPTER, ELBOW	90度彎肘快速接頭	PT3/8XΦ12	1.00	EA
40.00	NV 00077030705	PRESTO ADAPTER, ELBOW	90度彎肘快速接頭	PT1/8XΦ8	1.00	EA
41.00	NV 00077030841	STRAIGHT, PRESTO ADAPTER	直型快速接頭	PT1/8XΦ4(PC4-01;PISCO)	5.00	EA
42.00	NV 00070070241	TUBING, PNEUMATIC	風壓用管	PU Φ8XΦ5(MINDMAN)1.5M	1.00	MT
43.00	NV 00070070303	CLARITY TUBING, NYLON	透明尼龍油管	D4XD2.5X5M	5.00	MT

PRODUCT BOM MASTER AND SUB-ITEMS LIST  
\*\*\*\*\*

Item	Part NO.	Description	中文名稱	Specification	Qty	Unit
44.00	NV 00070070285	TUBING, PNEUMATIC	風壓用管	PU Φ8XΦ5(MINDMAN) 7M	1.00	EA
45.00	NV 00070070205	TUBING, PNEUMATIC	風壓用管	PU Φ12XΦ8(MINDMAN)0.7 M	1.00	EA
46.00	NV 00070070222	TUBING, PNEUMATIC	風壓用管	PU Φ10XΦ6.5(MINDMAN)1.3M	1.00	EA
47.00	NV 00070070203	TUBING, PNEUMATIC	風壓用管	PU Φ8XΦ5(MINDMAN)1.2 M	1.00	EA
48.00	NV 00070070336	TUBING, PNEUMATIC	風壓用管	PU Φ12XΦ8(MINDMAN)6M	1.00	EA
49.00	NV 00070070277	TUBING, PNEUMATIC	風壓用管	PU Φ12XΦ8 (MINDMAN) 5.5M	1.00	EA

REV	DESCRIPTION	DATE	ECN
A	新機種	2008/4/2	11158
B	19AW 01073002-4W 01073003	2009/10/5	2118
C	19AW 01073003-4W 01073002	2009/10/5	2457



MODEL: GX 1300/1600
PART NAME 12K/15K PNEUMATIC PARTS (CTS) 12K/15K 氣壓管路 (中心給水)
PART NUMBER GX 000280441D
PAGE 1 OF 1
DATE 2008/4/2
SCALE 1:15
REV. C
DARREN KIN PHIL

# PRODUCT BOM MASTER AND SUB-ITEMS LIST

\*\*\*\*\*

Master Item Part NO.: GX 000280441D

Description: 12/15K PNEUMATIC PARTS(CTS)  
12/15K氣壓管路(中心給水)

Item	Part NO.	Description	中文名稱	Specification	Qty	Unit
1.00	NV 001030301A	TAG, OIL LEVEL (12K/15K-RPM/S	油霧機油位標籤(12K/15K-RPM/SHOWA)	L56XW16	1.00	EA
2.00	NV 00077030709	PRESTO ADAPTER, ELBOW	90度彎肘快速接頭	PT1/8XΦ4(PISCO,PL4-01)	5.00	EA
3.00	NV 00107790109	FINE REGULATOR	迷你微壓調壓器美	1/4(R55-2)	1.00	EA
4.00	NV 00077030702	PRESTO ADAPTER, ELBOW	90度彎肘快速接頭	PT1/4XΦ8(JPL8-02)	1.00	EA
5.00	NV 00115370104	GAGE, PRESSURE	壓力錶	PT1/8"X10KGXΨ 11/2"(P-A1510)	1.00	EA
6.00	NV 00077030206	NIPPLE, STRAIGHT	立布(1")	PT1/4"XPT1/4"(L=25.4MM)	1.00	EA
7.00	NV 00077030702	PRESTO ADAPTER, ELBOW	90度彎肘快速接頭	PT1/4XΦ8(JPL8-02)	1.00	EA
8.00	NV 00030480104	VALVE, PT1/4 2 WAY PNEUMATIC	氣壓電磁閥(三口二位單線圈)	PT1/4 "DC24V(MVSC-220-3E1-NC)	1.00	EA
9.00	NV 00077031908	ELBOW, 90 DEG, MALE, LENGTHEN	90度肘管接頭(一邊加長電鍍)折贏	PT1/4"(MALE)XPT1/4"(MALE)一邊加長	1.00	EA
10.00	NV 00107790110	FILTER(5U)	過濾器(5U)	1/4 MAF300(27T0-8A)	1.00	EA
11.00	NV 00077030806	STRAIGHT, PRESTO ADAPTER	直型快速接頭	PT1/4XΦ8(JPC8-02)	1.00	EA
12.00	NV 00077030901	PRESTO ADAPTER, STRIGHT(FEMALE	內牙直快速接頭(母)	PT1/4"(SF20)	1.00	EA
13.00	NV 00077030706	PRESTO ADAPTER, ELBOW	90度彎肘快速接頭	PT1/4XΦ10(JPL10-02)	1.00	EA
14.00	NV 00113350103	MUFFLER, BREATHER	消音器	PT1/4(SL-02Q)	1.00	EA
15.00	NV 00077031603	TEE ADAPTER, FEMALE&MALE	內外牙三通	PT3/8MXPT3/8FXPT3/8F(P104)	1.00	EA
16.00	NV 00077030701	PRESTO ADAPTER, ELBOW	90度彎肘快速接頭	PT3/8XΦ8(JPL8-03)	1.00	EA
17.00	NV 00100590301	HAND SLIDE VALVE	滑動開關	PT3/8, MVHS-10A	1.00	EA
18.00	NV 00077031401	PRESTO ADAPTER, STRAIGHT MALE(	外牙直快速接頭(公)	PT3/8"(PM30)	1.00	EA
19.01	NV 00107790205	AUTOMATIC DRAIN WATER	自動排水器	FMRF300-AD-U	1.00	EA
20.00	NV 00077030801	STRAIGHT, PRESTO ADAPTER	直型快速接頭	PT1/8(F)XΦ8(JPG8-01)	1.00	EA

\*\*\*\*\*  
**PRODUCT BOM MASTER AND SUB-ITEMS LIST**  
 \*\*\*\*\*

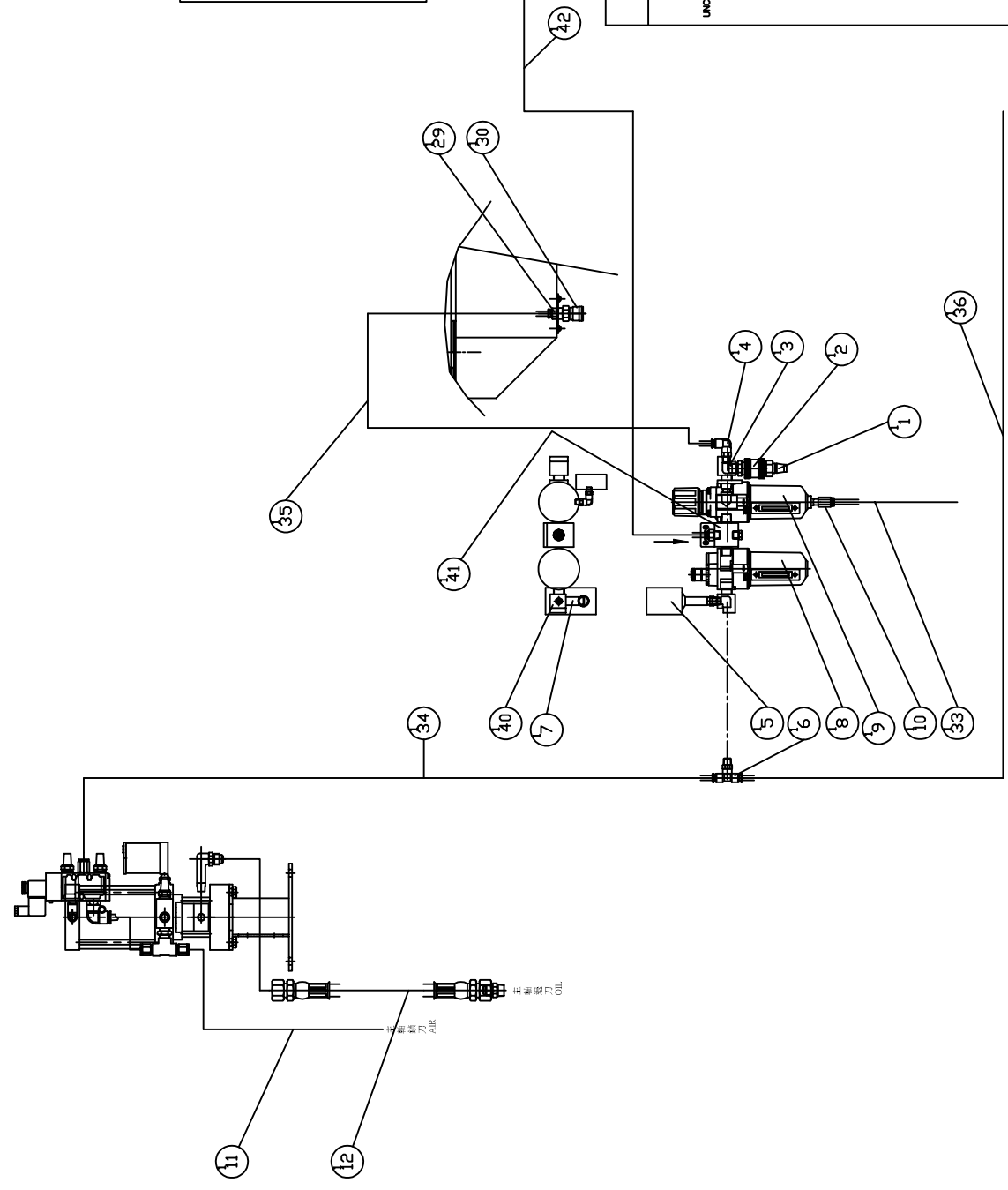
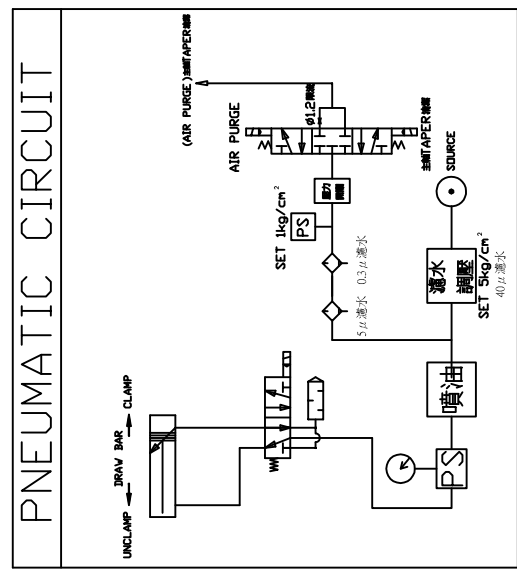
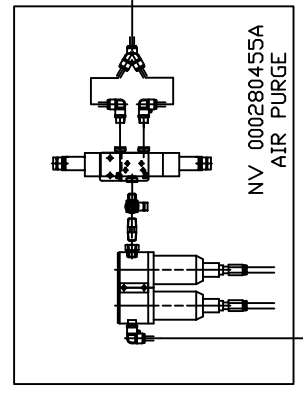
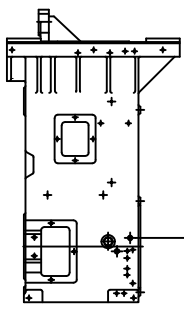
Item	Part NO.	Description	中文名稱	Specification	Qty	Unit
21.00	NV 00113350108	MUFFLER, BREATHER	消音器	PT3/8(MSR-03-B)	1.00	EA
22.00	NV 00077030606	UNION	直雙內牙接頭	PT1/2XPT3/8(P056)	1.00	EA
23.00	NV 00077030804	STRAIGHT, PRESTO ADAPTER	直型快速接頭	PT1/2XΦ12	1.00	EA
24.00	NV 00077031001	PRESTO ADAPTER,Y	Y型快速接頭	JPY12	1.00	EA
25.00	NV 00077031601	TEE ADAPTER, FEMALE&MALE	內外牙三通	PT3/8MXPT3/8FXPT1/4F	1.00	EA
26.00	NV 00077030220	PIPE	2吋牙管	PT1/4XPT1/4X2"L(WEU-02-2)	1.00	EA
27.00	NV 00107790203	AIR DRYER DEVICE	濾水器自動排水器	WSA-C2-F00	1.00	EA
28.00	NV 00077030811	STRAIGHT, PRESTO ADAPTER	直型快速接頭	PT1/4XΦ10(JPC10-02)	1.00	EA
29.00	NV 00117360101	PRESSURE SWITCH(KP35)	壓力開關	0.2~7KG/CM2 1/4	1.00	EA
30.00	NV 00077031101	PRESTO ADAPTER, TEE	三通快速接頭	PT3/8XΦ12	1.00	EA
31.00	NV 00077030301	ELBOW, BRASS 90 DEG FEMALE	90度內雙螺紋肘管	PT1/4XPT1/4(P085)	1.00	EA
32.01	NV 00107790122	FILTER/REGULATOR UNIT	三聯組合(15U)	[MINDMAN] MACP401-10A-D(15UM)	1.00	EA
33.00	NV 00107790304	CROSS UNION(FILTER/REGULATOR U	三聯組合用四通閥	P101-2(MINDMAN),PTF1/4"X2	1.00	EA
34.00	NV 00077031702	PLUG, SOCKET HEX.	塞頭(內六角)	PT1/4(AM030002T)	1.00	EA
35.00	NV 00077030803	STRAIGHT, PRESTO ADAPTER	直型快速接頭	PT3/8XΦ12(JPC12-03)	1.00	EA
36.00	NV 00077031515	ELBOW, 90 DEG MALE	90度外雙螺紋肘管	PT3/8"XPT3/8"	1.00	EA
37.00	NV 00030480102	VALVE, PT3/8 2 WAY PNEUMATIC	氣壓電磁閥(五口二位單線圈)	PT3/8" DC24V(MVSD-300-4E1)	1.00	EA
38.00	NV 00077030703	PRESTO ADAPTER, ELBOW	90度彎肘快速接頭	PT3/8XΦ12	3.00	EA
39.00	NV 00077030703	PRESTO ADAPTER, ELBOW	90度彎肘快速接頭	PT3/8XΦ12	1.00	EA
40.00	NV 00077030705	PRESTO ADAPTER, ELBOW	90度彎肘快速接頭	PT1/8XΦ8	1.00	EA
41.00	NV 00100590104	CHECK VALVE, AIR	風壓逆止閥	PT1/4"	1.00	EA
42.00	NV 00077030702	PRESTO ADAPTER, ELBOW	90度彎肘快速接頭	PT1/4XΦ8(JPL8-02)	1.00	EA
43.00	NV 00077030214	NIPPLE, STRAIGHT	直接頭	PT1/4"XPT1/8"X30L	1.00	EA



PRODUCT BOM MASTER AND SUB-ITEMS LIST  
\*\*\*\*\*

Item	Part NO.	Description	中文名稱	Specification	Qty	Unit
44.00	NV 00030480109	SOLENOID VALVE,3WAY-2POSITION	氣壓電磁閥(三口二位單線圈NORMAL OPEN)	1/8" AC110V 31A3GV10-U, 3WAY-	1.00	EA
45.00	NV 00077031701	PLUG, SOCKET HEX.	塞頭	PT1/8	1.00	EA
46.00	NV 00117360108	PRESSURE SWITCH (CTS)	壓力開關(CTS)	(BN-1252-10A) 4~20KG/CM2XPT3/8	1.00	EA
47.00	NV 00117360108	PRESSURE SWITCH (CTS)	壓力開關(CTS)	(BN-1252-10A) 4~20KG/CM2XPT3/8	1.00	EA
48.00	NV 00077032301	PRESTO ADAPTER, BLBOW	90度彎肘快速接頭	PT1/8"(F)XΦ6	1.00	EA
49.00	NV 00077030810	STRAIGHT, PRESTO ADAPTER	直型快速接頭	PT1/8XΦ4(JPC4-01)	5.00	EA

REV	DESCRIPTION	DATE	ECN
A	新機種	2008/9/15	1513
B	対応機種 NV 00077902-NV 00077902-NV 00077902-NV	2008/2/11	2115
C	対応機種 NV 00077903-NV 00077902-NV 00077902-NV	2007/1/10	457



MODEL: DDS GX 480/710/600/800/1000/1300/1600	PART NUMBER: NV 000280458A
PART NAME: PNEUMATIC PARTS (Common w/o CTS)	PAGE 1 OF 1
氣壓零件組 (固定件-無中心給水-Grease)	REV. C
DATE 2008/9/15	SCALE 1:1
字號	AUSTIN PHIL

# PRODUCT BOM MASTER AND SUB-ITEMS LIST

\*\*\*\*\*

Master Item Part NO.: NV 000280458A

Description: PNEUMATIC PARTS(COMMON-W/OCTS)

DDS GX 6/8/10 氣壓零組件(固定件-無中心給水)

Item	Part NO.	Description	中文名稱	Specification	Qty	Unit
1.00	NV 00077031401	PRESTO ADAPTER, STRAIGHT MALE(	外牙直快速接頭(公)	PT3/8"(PM30)	1.00	EA
2.00	NV 00100590301	HAND SLIDE VALVE	滑動開關	PT3/8, MVHS-10A	1.00	EA
3.00	NV 00077031603	TEE ADAPTER, FEMALE&MALE	內外牙三通	PT3/8MXPT3/8FXPT3/8F(P104)	1.00	EA
4.00	NV 00077030701	PRESTO ADAPTER, ELBOW	90度彎肘快速接頭	PT3/8XΦ8(JPL-8-03)	1.00	EA
5.00	NV 00117360101	PRESSURE SWITCH(KP35)	壓力開關	0.2~7KG/CM2 1/4	1.00	EA
6.00	NV 00077031101	PRESTO ADAPTER, TEE	三通快速接頭	PT3/8XΦ12	1.00	EA
7.00	NV 00077030220	PIPE	2吋牙管	PT1/4XPT1/4X2"L(WEU-02-2)	1.00	EA
8.01	NV 00107790122	FILTER/REGULATOR UNIT	三聯組合(15U)	[MINDMAN] MACP401-10A-D(15UM)	1.00	EA
9.01	NV 00107790205	AUTOMATIC DRAIN WATER	自動排水器	FMRF300-AD-U	1.00	EA
10.00	NV 00077030801	STRAIGHT, PRESTO ADAPTER	直型快速接頭	PT1/8(F)XΦ8(JPG8-01)	1.00	EA
11.00	NV 00070070266	TUBING,PNEUMATIC	風壓用管	PU Φ12XΦ8(MINDMAN)0.26M	1.00	EA
12.00	NV 00069650262	HOSE, FLEXIBLE HYDRAULIC	耐油橡膠管(一直一45度)	R1-Φ3/8"XW9/16"-18UNFX0.45M	1.00	EA
29.00	NV 00077030806	STRAIGHT, PRESTO ADAPTER	直型快速接頭	PT1/4XΦ8(JPC8-02)	1.00	EA
30.00	NV 00077030901	PRESTO ADAPTER, STRIGHT(FEMALE	內牙直快速接頭(母)	PT1/4"(SF20)	1.00	EA
33.00	NV 00070070203	TUBING, PNEUMATIC	風壓用管	PU Φ8XΦ5(MINDMAN)1.2 M	1.00	EA
34.00	NV 00070070278	TUBING, PNEUMATIC	風壓用管	PU Φ12XΦ8 (MINDMAN) 4.5 M	1.00	EA
35.00	NV 00070070206	TUBING, PNEUMATIC	風壓用管	PU Φ8XΦ5(MINDMAN)3.6 M	1.00	EA
36.00	NV 00070070205	TUBING, PNEUMATIC	風壓用管	PU Φ12XΦ8(MINDMAN)0.7 M	1.00	EA
40.00	NV 00077031601	TEE ADAPTER, FEMALE&MALE	內外牙三通	PT3/8MXPT3/8FXPT1/4F	1.00	EA
41.00	NV 00107790304	CROSS UNION(FILTER/REGULATOR U	三聯組合用四通閥	P101-2(MINDMAN),PTF1/4"X2	1.00	EA

PRODUCT BOM MASTER AND SUB-ITEMS LIST  
\*\*\*\*\*

Item	Part NO.	Description	中文名稱	Specification	Qty	Unit
42.00	NV 00070070279	TUBING, PNEUMATIC	風壓用管	PU $\phi$ 10X $\phi$ 6.5(MINDMAN)0.8M	1.00	EA



# PRODUCT BOM MASTER AND SUB-ITEMS LIST

\*\*\*\*\*

Master Item Part NO.: NV 000280459A

Description: PNEUMATIC PARTS(CTS)

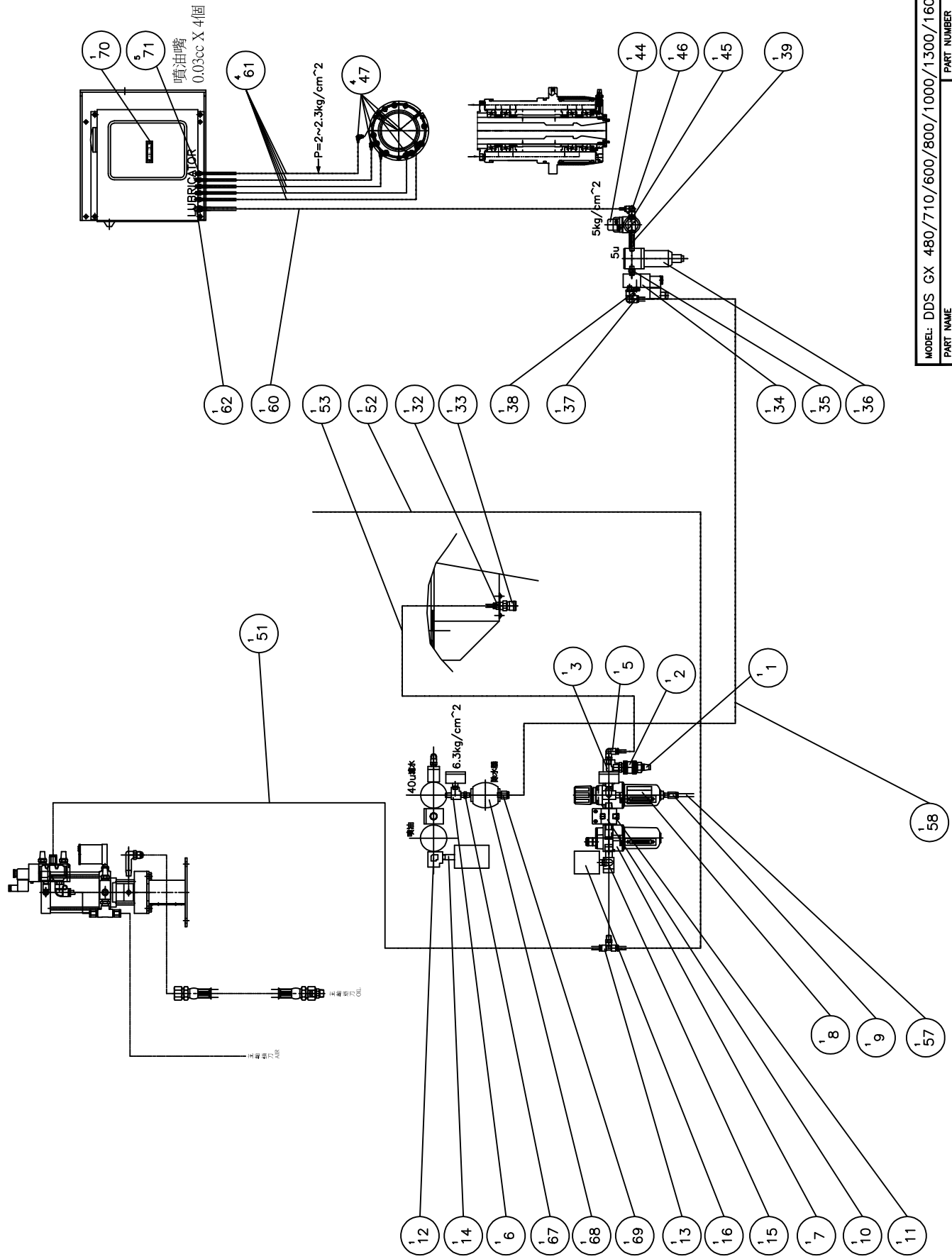
DDS GX 6/8/10 氣壓零組件(固定件-中心給水)

Item	Part NO.	Description	中文名稱	Specification	Qty	Unit
1.00	NV 00077031401	PRESTO ADAPTER, STRAIGHT MALE(	外牙直快速接頭(公)	PT3/8"(PM30)	1.00	EA
2.00	NV 00100590301	HAND SLIDE VALVE	滑動開關	PT3/8, MVHS-10A	1.00	EA
3.00	NV 00077031603	TEE ADAPTER, FEMALE&MALE	內外牙三通	PT3/8MXPT3/8FXPT3/8F(P104)	1.00	EA
4.00	NV 00077030701	PRESTO ADAPTER, ELBOW	90度彎肘快速接頭	PT3/8XΦ8(JPL-8-03)	1.00	EA
5.00	NV 00117360101	PRESSURE SWITCH(KP35)	壓力開關	0.2~7KG/CM2 1/4	1.00	EA
6.00	NV 00077031101	PRESTO ADAPTER, TEE	三通快速接頭	PT3/8XΦ12	1.00	EA
7.00	NV 00077030220	PIPE	2吋牙管	PT1/4XPT1/4X2"L(WEU-02-2)	1.00	EA
8.01	NV 00107790122	FILTER/REGULATOR UNIT	三聯組合(15U)	[MINDMAN] MACP401-10A-D(15UM)	1.00	EA
9.01	NV 00107790205	AUTOMATIC DRAIN WATER	自動排水器	FMRF300-AD-U	1.00	EA
10.00	NV 00077032301	PRESTO ADAPTER, BLBOW	90度彎肘快速接頭	PT1/8"(F)XΦ6	1.00	EA
11.00	NV 00070070266	TUBING,PNEUMATIC	風壓用管	PU Φ12XΦ8(MINDMAN)0.26M	1.00	EA
12.00	NV 00069650262	HOSE, FLEXIBLE HYDRAULIC	耐油橡膠管(一直一45度)	R1-Φ3/8"XW9/16"-18UNFX0.45M	1.00	EA
29.00	NV 00077030806	STRAIGHT, PRESTO ADAPTER	直型快速接頭	PT1/4XΦ8(JPC8-02)	1.00	EA
30.00	NV 00077030901	PRESTO ADAPTER, STRIGHT(FEMALE	內牙直快速接頭(母)	PT1/4"(SF20)	1.00	EA
33.00	NV 00070070501	TUBING, PNEUMATIC	風壓用管	PE Φ6X1.5M(MINDMAN)(PE0640-B)	1.00	EA
34.00	NV 00070070278	TUBING, PNEUMATIC	風壓用管	PU Φ12XΦ8 (MINDMAN) 4.5 M	1.00	EA
35.00	NV 00070070206	TUBING, PNEUMATIC	風壓用管	PU Φ8XΦ5(MINDMAN)3.6 M	1.00	EA
36.00	NV 00070070205	TUBING, PNEUMATIC	風壓用管	PU Φ12XΦ8(MINDMAN)0.7 M	1.00	EA
50.00	NV 00100590113	3/4-SOLENOID	二口二位電磁閥	3/4-110V (20KG/CM^2)	2.00	ST
51.00	NV 00117360108	PRESSURE SWITCH (CTS)	壓力開關(CTS)	(BN-1252-10A) 4~20KG/CM2XPT3/8	1.00	EA

PRODUCT BOM MASTER AND SUB-ITEMS LIST  
\*\*\*\*\*

Item	Part NO.	Description	中文名稱	Specification	Qty	Unit
52.01	NV 00100590133	CHECK VALVE, 2000PSI	逆止閥, PARKER C400B	PT1/4(F)XPT1/4(F)X66L(138BAR)	1.00	EA
58.00	NV 00077031601	TEE ADAPTER, FEMALE&MALE	內外牙三通	PT3/8MXPT3/8FXPT1/4F	1.00	EA
59.00	NV 00077030214	NIPPLE, STRAIGHT	直接頭	PT1/4"XPT1/8"X30L	1.00	EA
60.00	NV 00030480109	SOLENOID VALVE,3WAY-2POSITION	氣壓電磁閥(三口二位單線圈NORMAL OPEN)	1/8" AC110V 31A3GV10-U, 3WAY-	1.00	EA
61.00	NV 00077031701	PLUG, SOCKET HEX.	塞頭	PT1/8	1.00	EA
62.00	NV 00077030801	STRAIGHT, PRESTO ADAPTER	直型快速接頭	PT1/8(F)XΦ8(JPG8-01)	1.00	EA
63.00	NV 00070070203	TUBING, PNEUMATIC	風壓用管	PU Φ8XΦ5(MINDMAN)1.2 M	1.00	EA
64.00	NV 00077031601	TEE ADAPTER, FEMALE&MALE	內外牙三通	PT3/8MXPT3/8FXPT1/4F	1.00	EA
65.00	NV 00107790304	CROSS UNION(FILTER/REGULATOR U	三聯組合用四通閥	P101-2(MINDMAN),PTF1/4"X2	1.00	EA

REV.	DESCRIPTION	DATE	ECN.
A	新機種	2008/9/15	1513
B	改良機種 (010778002-AW 010778003)	2010/2/1	2115
C	改良機種 (010778011-AW 010778022)	2011/1/10	2457



MODEL: DDS GX 480/710/600/800/1000/1300/1600	
PART NAME	PART NUMBER
PNEUMATIC PARTS(OIL-AIR)	NV 000280457A
直結式氣壓零組件(OIL-AIR)	PAGE 1 OF 1
DATE 2008/9/15	SCALE 1:15
AUSTIN	REV. C



# PRODUCT BOM MASTER AND SUB-ITEMS LIST

\*\*\*\*\*

Master Item Part NO.: NV 000280457A

Description: PNEUMATIC PARTS(OIL AIR)

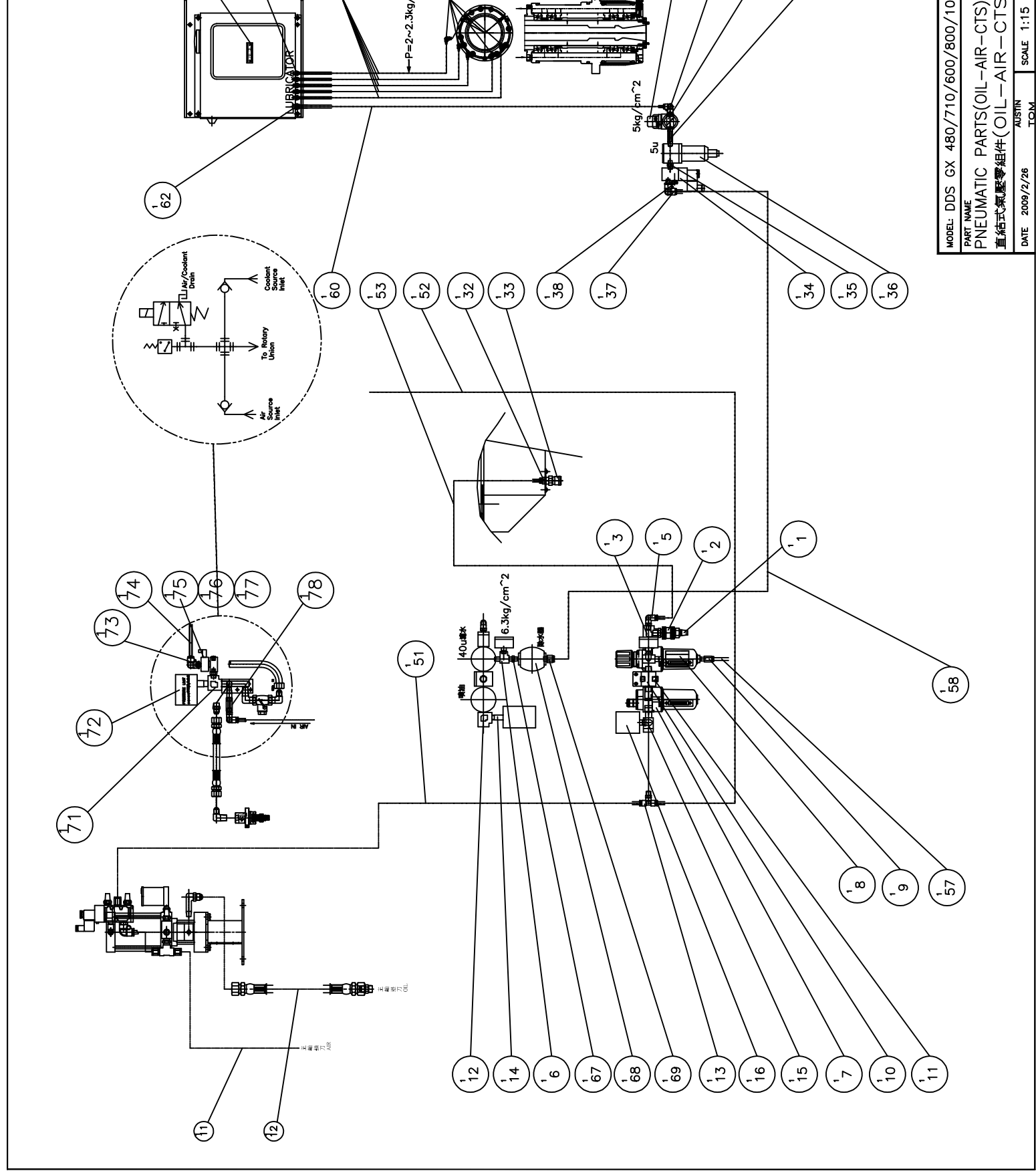
氣壓零組件(OIL-AIR)

Item Part NO.	Description	中文名稱	Specification	Qty	Unit
1.00	NV 00077031401 PRESTO ADAPTER, STRAIGHT MALE(	外牙直快速接頭(公)	PT3/8"(PM30)	1.00	EA
2.00	NV 00100590301 HAND SLIDE VALVE	滑動開關	PT3/8, MVHS-10A	1.00	EA
3.00	NV 00077031603 TEE ADAPTER, FEMALE&MALE	內外牙三通	PT3/8MXPT3/8FXPT3/8F(P104)	1.00	EA
5.00	NV 00077030701 PRESTO ADAPTER, ELBOW	90度彎肘快速接頭	PT3/8XΦ8(JPL-8-03)	1.00	EA
6.00	NV 00077031602 TEE ADAPTER, FEMALE&MALE	內外牙三通	PT1/4"(M)XPT1/4"(F)XPT1/4"(F)	1.00	EA
7.01	NV 00107790122 FILTER/REGULATOR UNIT	三聯組合(15U)	[MINDMAN] MACP401-10A-D(15UM)	1.00	EA
8.01	NV 00107790205 AUTOMATIC DRAIN WATER	自動排水器	FMRF300-AD-U	1.00	EA
9.00	NV 00077030801 STRAIGHT, PRESTO ADAPTER	直型快速接頭	PT1/8(F)XΦ8(JPG8-01)	1.00	EA
10.00	NV 00107790304 CROSS UNION(FILTER/REGULATOR U	三聯組合用四通閥	P101-2(MINDMAN),PTF1/4"X2	1.00	EA
11.00	NV 00077031702 PLUG, SOCKET HEX.	塞頭(內六角)	PT1/4(AM030002T)	1.00	EA
12.00	NV 00077031601 TEE ADAPTER, FEMALE&MALE	內外牙三通	PT3/8MXPT3/8FXPT1/4F	1.00	EA
13.00	NV 00077031101 PRESTO ADAPTER, TEE	三通快速接頭	PT3/8XΦ12	1.00	EA
14.00	NV 00077030220 PIPE	2吋牙管	PT1/4XPT1/4X2"L(WEU-02-2)	1.00	EA
15.00	NV 00077030301 ELBOW, BRASS 90 DEG FEMALE	90度內雙螺紋肘管	PT1/4XPT1/4(P085)	1.00	EA
16.00	NV 00117360101 PRESSURE SWITCH(KP35)	壓力開關	0.2~7KG/CM2 1/4	1.00	EA
32.00	NV 00077030806 STRAIGHT, PRESTO ADAPTER	直型快速接頭	PT1/4XΦ8(JPC8-02)	1.00	EA
33.00	NV 00077030901 PRESTO ADAPTER, STRIGHT(FEMALE	內牙直快速接頭(母)	PT1/4"(SF20)	1.00	EA
34.00	NV 00030480104 VALVE, PT1/4 2 WAY PNEUMATIC	氣壓電磁閥(三口二位單線圈)	PT1/4"DC24V(MVSC-220-3E1-NC)	1.00	EA
35.00	NV 00077030206 NIPPLE, STRAIGHT	立布(1")	PT1/4"XPT1/4"(L=25.4MM)	1.00	EA
36.00	NV 00107790110 FILTER(5U)	過濾器(5U)	1/4 MAF300(27T0-8A)	1.00	EA

\*\*\*\*\*  
**PRODUCT BOM MASTER AND SUB-ITEMS LIST**  
 \*\*\*\*\*

Item	Part NO.	Description	中文名稱	Specification	Qty	Unit
37.00	NV 00077030706	PRESTO ADAPTER, ELBOW	90度彎肘快速接頭	PT1/4XΦ10(JPL10-02)	1.00	EA
38.00	NV 00113350103	MUFFLER, BREATHER	消音器	PT1/4(SL-02Q)	1.00	EA
39.00	NV 00077030206	NIPPLE, STRAIGHT	立布(1")	PT1/4"XPT1/4"(L=25.4MM)	1.00	EA
44.00	NV 00107790109	FINE REGULATOR	迷你微壓調壓器美	1/4(R55-2)	1.00	EA
45.00	NV 00115370104	GAGE, PRESSURE	壓力錶	PT1/8"X10KGXΨ11/2"(P-A1510)	1.00	EA
46.00	NV 00077030702	PRESTO ADAPTER, ELBOW	90度彎肘快速接頭	PT1/4XΦ8(JPL8-02)	1.00	EA
47.00	NV 00077030709	PRESTO ADAPTER, ELBOW	90度彎肘快速接頭	PT1/8XΦ4(PISCO,PL4-01)	4.00	EA
51.00	NV 00070070204	TUBING, PNEUMATIC	風壓用管	PU Φ12XΦ8(MINDMAN)2.7 M	1.00	EA
52.00	NV 00070070205	TUBING, PNEUMATIC	風壓用管	PU Φ12XΦ8(MINDMAN)0.7 M	1.00	EA
53.00	NV 00070070206	TUBING, PNEUMATIC	風壓用管	PU Φ8XΦ5(MINDMAN)3.6 M	1.00	EA
57.00	NV 00070070203	TUBING, PNEUMATIC	風壓用管	PU Φ8XΦ5(MINDMAN)1.2 M	1.00	EA
58.00	NV 00070070222	TUBING, PNEUMATIC	風壓用管	PU Φ10XΦ6.5(MINDMAN)1.3M	1.00	EA
60.00	NV 00070070221	TUBING, PNEUMATIC	風壓用管	PU Φ8XΦ5(MINDMAN)0.9M	1.00	EA
61.00	NV 00070070303	CLARITY TUBING, NYLON	透明尼龍油管	D4XD2.5X5M	4.00	MT
62.00	NV 00077030823	STRAIGHT, PRESTO ADAPTER	直型快速接頭(公)	PT1/8(MALE)XΦ8(JPC8-01)	1.00	EA
67.00	NV 00077030206	NIPPLE, STRAIGHT	立布(1")	PT1/4"XPT1/4"(L=25.4MM)	1.00	EA
68.00	NV 00107790203	AIR DRYER DEVICE	濾水器自動排水器	WSA-C2-F00	1.00	EA
69.00	NV 00077030811	STRAIGHT, PRESTO ADAPTER	直型快速接頭	PT1/4XΦ10(JPC10-02)	1.00	EA
70.00	NV 001030301A	TAG, OIL LEVEL (12K/15K-RPM/S	油霧機油位標籤(12K/15K-RPM/SHOWA)	L56XW16	1.00	EA
71.00	NV 00077030841	STRAIGHT, PRESTO ADAPTER	直型快速接頭	PT1/8XΦ4(PC4-01;PISCO)	5.00	EA

REV	DESCRIPTION	DATE	ECN
A	新機種	2009/2/26	1754
B	01078002-NV 01078003	2010/2/1	2119
C	01078011-NV 01078022	2010/1/24	2457
D	010089010-NV 010089013	2013/6/28	1003176



MODEL: DDS GX 480/710/600/800/1000/1300/1600
PART NAME: PNEUMATIC PARTS(OIL-AIR-CTS)
PART NUMBER: NV 000280465A
直結式氣壓零組件(OIL-AIR-CTS)
DATE: 2009/2/26
AUSTIN TOM
SCALE: 1:15
REV: D
PAGE: 1 OF 1

# PRODUCT BOM MASTER AND SUB-ITEMS LIST

\*\*\*\*\*

Master Item Part NO.: NV 000280465A

Description: PNEUMATIC PARTS(OIL AIR-CTS)  
氣壓零組件(OIL-AIR-CTS)

Item Part NO.	Description	中文名稱	Specification	Qty	Unit
1.00	NV 00077031401 PRESTO ADAPTER, STRAIGHT MALE(	外牙直快速接頭(公)	PT3/8"(PM30)	1.00	EA
2.00	NV 00100590301 HAND SLIDE VALVE	滑動開關	PT3/8, MVHS-10A	1.00	EA
3.00	NV 00077031603 TEE ADAPTER, FEMALE&MALE	內外牙三通	PT3/8MXPT3/8FXPT3/8F(P104)	1.00	EA
5.00	NV 00077030701 PRESTO ADAPTER, ELBOW	90度彎肘快速接頭	PT3/8XΦ8(JPL-8-03)	1.00	EA
6.00	NV 00077031602 TEE ADAPTER, FEMALE&MALE	內外牙三通	PT1/4"(M)XPT1/4"(F)XPT1/4"(F)	1.00	EA
7.01	NV 00107790122 FILTER/REGULATOR UNIT	三聯組合(15U)	[MINDMAN] MACP401-10A-D(15UM)	1.00	EA
8.01	NV 00107790205 AUTOMATIC DRAIN WATER	自動排水器	FMRF300-AD-U	1.00	EA
9.00	NV 00077030801 STRAIGHT, PRESTO ADAPTER	直型快速接頭	PT1/8(F)XΦ8(JPG8-01)	1.00	EA
10.00	NV 00107790304 CROSS UNION(FILTER/REGULATOR U	三聯組合用四通閥	P101-2(MINDMAN),PTF1/4"X2	1.00	EA
11.00	NV 00077031702 PLUG, SOCKET HEX.	塞頭(內六角)	PT1/4(AM030002T)	1.00	EA
12.00	NV 00077031601 TEE ADAPTER, FEMALE&MALE	內外牙三通	PT3/8MXPT3/8FXPT1/4F	1.00	EA
13.00	NV 00077031101 PRESTO ADAPTER, TEE	三通快速接頭	PT3/8XΦ12	1.00	EA
14.00	NV 00077030220 PIPE	2吋牙管	PT1/4XPT1/4X2"L(WEU-02-2)	1.00	EA
15.00	NV 00077030301 ELBOW, BRASS 90 DEG FEMALE	90度內雙螺紋肘管	PT1/4XPT1/4(P085)	1.00	EA
16.00	NV 00117360101 PRESSURE SWITCH(KP35)	壓力開關	0.2~7KG/CM2 1/4	1.00	EA
32.00	NV 00077030806 STRAIGHT, PRESTO ADAPTER	直型快速接頭	PT1/4XΦ8(JPC8-02)	1.00	EA
33.00	NV 00077030901 PRESTO ADAPTER, STRIGHT(FEMALE	內牙直快速接頭(母)	PT1/4"(SF20)	1.00	EA
34.00	NV 00030480104 VALVE, PT1/4 2 WAY PNEUMATIC	氣壓電磁閥(三口二位單線圈)	PT1/4"DC24V(MVSC-220-3E1-NC)	1.00	EA
35.00	NV 00077030206 NIPPLE, STRAIGHT	立布(1")	PT1/4"XPT1/4"(L=25.4MM)	1.00	EA
36.00	NV 00107790110 FILTER(5U)	過濾器(5U)	1/4 MAF300(27T0-8A)	1.00	EA

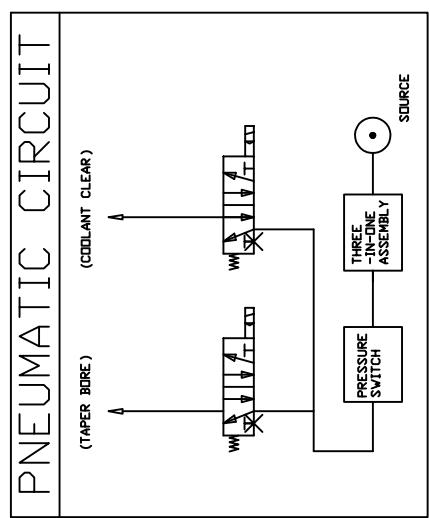
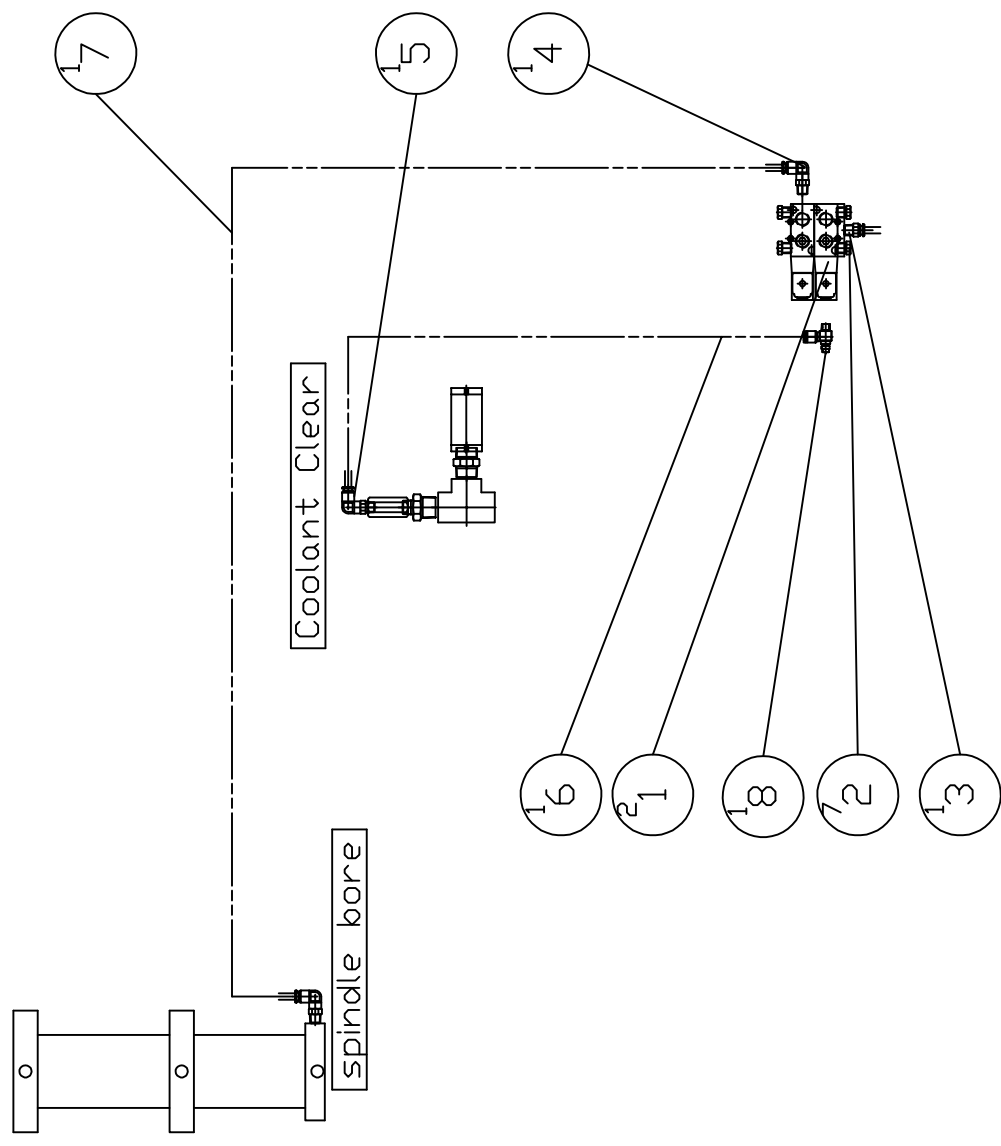
\*\*\*\*\*  
**PRODUCT BOM MASTER AND SUB-ITEMS LIST**  
 \*\*\*\*\*

Item	Part NO.	Description	中文名稱	Specification	Qty	Unit
37.00	NV 00077030706	PRESTO ADAPTER, ELBOW	90度彎肘快速接頭	PT1/4XΦ10(JPL10-02)	1.00	EA
38.00	NV 00113350103	MUFFLER, BREATHER	消音器	PT1/4(SL-02Q)	1.00	EA
39.00	NV 00077030206	NIPPLE, STRAIGHT	立布(1")	PT1/4"XPT1/4"(L=25.4MM)	1.00	EA
44.00	NV 00107790109	FINE REGULATOR	迷你微壓調壓器美	1/4(R55-2)	1.00	EA
45.00	NV 00115370104	GAGE, PRESSURE	壓力錶	PT1/8"X10KGXΨ11/2"(P-A1510)	1.00	EA
46.00	NV 00077030702	PRESTO ADAPTER, ELBOW	90度彎肘快速接頭	PT1/4XΦ8(JPL8-02)	1.00	EA
47.00	NV 00077030709	PRESTO ADAPTER, ELBOW	90度彎肘快速接頭	PT1/8XΦ4(PISCO,PL4-01)	4.00	EA
51.00	NV 00070070204	TUBING, PNEUMATIC	風壓用管	PU Φ12XΦ8(MINDMAN)2.7 M	1.00	EA
52.00	NV 00070070205	TUBING, PNEUMATIC	風壓用管	PU Φ12XΦ8(MINDMAN)0.7 M	1.00	EA
53.00	NV 00070070206	TUBING, PNEUMATIC	風壓用管	PU Φ8XΦ5(MINDMAN)3.6 M	1.00	EA
57.00	NV 00070070203	TUBING, PNEUMATIC	風壓用管	PU Φ8XΦ5(MINDMAN)1.2 M	1.00	EA
58.00	NV 00070070222	TUBING, PNEUMATIC	風壓用管	PU Φ10XΦ6.5(MINDMAN)1.3M	1.00	EA
60.00	NV 00070070221	TUBING, PNEUMATIC	風壓用管	PU Φ8XΦ5(MINDMAN)0.9M	1.00	EA
61.00	NV 00070070303	CLARITY TUBING, NYLON	透明尼龍油管	D4XD2.5X5M	4.00	MT
62.00	NV 00077030823	STRAIGHT, PRESTO ADAPTER	直型快速接頭(公)	PT1/8(MALE)XΦ8(JPC8-01)	1.00	EA
67.00	NV 00077030206	NIPPLE, STRAIGHT	立布(1")	PT1/4"XPT1/4"(L=25.4MM)	1.00	EA
68.00	NV 00107790203	AIR DRYER DEVICE	濾水器自動排水器	WSA-C2-F00	1.00	EA
69.00	NV 00077030811	STRAIGHT, PRESTO ADAPTER	直型快速接頭	PT1/4XΦ10(JPC10-02)	1.00	EA
70.00	NV 001030301A	TAG, OIL LEVEL (12K/15K-RPM/S	油霧機油位標籤(12K/15K-RPM/SHOWA)	L56XW16	1.00	EA
71.00	NV 00077031601	TEE ADAPTER, FEMALE&MALE	內外牙三通	PT3/8MXPT3/8FXPT1/4F	1.00	EA
72.00	NV 00117360108	PRESSURE SWITCH (CTS)	壓力開關(CTS)	(BN-1252-10A) 4~20KG/CM2XPT3/8	1.00	EA
73.00	NV 00077032301	PRESTO ADAPTER, BLBOW	90度彎肘快速接頭	PT1/8"(F)XΦ6	1.00	EA
74.00	NV 00070070501	TUBING, PNEUMATIC	風壓用管	PE Φ6X1.5M(MINDMAN)(PE0640-B)	1.00	EA

PRODUCT BOM MASTER AND SUB-ITEMS LIST  
\*\*\*\*\*

Item	Part NO.	Description	中文名稱	Specification	Qty	Unit
75.00	NV 00077030214	NIPPLE, STRAIGHT	直接頭	PT1/4"XPT1/8"X30L	1.00	EA
76.00	NV 00030480109	SOLENOID VALVE,3WAY-2POSITION	氣壓電磁閥(三口二位單線圈NORMAL OPEN)	1/8" AC110V 31A3GV10-U, 3WAY-	1.00	EA
77.00	NV 00077031701	PLUG, SOCKET HEX.	塞頭	PT1/8	1.00	EA
78.01	NV 00100590133	CHECK VALVE, 2000PSI	逆止閥, PARKER C400B	PT1/4(F)XPT1/4(F)X66L(138BAR)	1.00	EA
79.00	NV 00077030823	STRAIGHT, PRESTO ADAPTER	直型快速接頭(公)	PT1/8(MALE)XΦ8(JPC8-01)	5.00	EA

REV	DESCRIPTION	DATE	ECN
A	2007/1/17	2007/1/17	
B	2007/2/15	2007/2/15	2595



MODEL: GX 600/800/1000/1300/1600	PART NUMBER	NVA000280431A
PNEUMATIC PARTS STANDARD	PAGE 1 OF 1	
DATE 2007/1/17	SCALE 1:10	REV. B

PRODUCT BOM MASTER AND SUB-ITEMS LIST  
\*\*\*\*\*

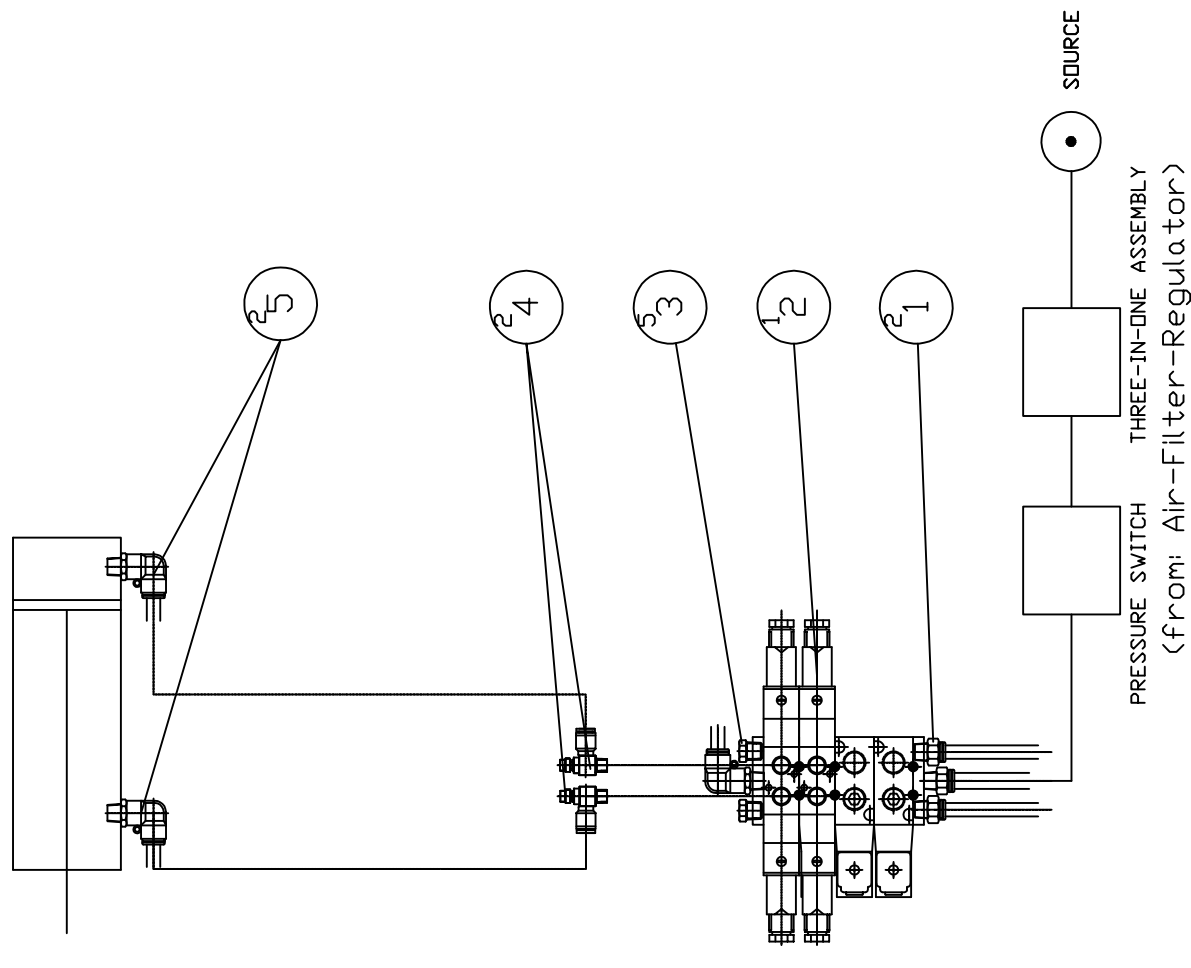
Master Item Part NO.: NVA000280431A

Description: PNEUMATIC PARTS STANDARD  
氣壓零組件(內外吹氣)

Item Part NO.	Description	中文名稱	Specification	Qty	Unit
1.00	NV 00030480101 VALVE, PT1/4 2 WAY PNEUMATIC	氣壓電磁閥(五口二位單線圈)	PT1/4" DC24V(MVSD-260-4E1)	2.00	EA
2.00	NV 00077031702 PLUG, SOCKET HEX.	塞頭(內六角)	PT1/4(AM030002T)	7.00	EA
3.00	NV 00077030802 STRAIGHT, PRESTO ADAPTER	直型快速接頭	PT1/4XΦ12	1.00	EA
4.01	NV 00077030702 PRESTO ADAPTER, ELBOW	90度彎肘快速接頭	PT1/4XΦ8(JPL8-02)	1.00	EA
5.00	NV 00077030701 PRESTO ADAPTER, ELBOW	90度彎肘快速接頭	PT3/8XΦ8(JPL-8-03)	1.00	EA
6.00	NV 00070070232 TUBING,PNEUMATIC	風壓用管	PU Φ8XΦ5(MINDMAN)4M	1.00	EA
7.00	NV 00070070232 TUBING,PNEUMATIC	風壓用管	PU Φ8XΦ5(MINDMAN)4M	1.00	EA
8.01	NV 00077031303 PRESTO ADAPTER, ELBOW(ADJUSTAB	90度彎肘快速接頭(附調速)	PT1/4XΦ8(JSC8-02A)	1.00	EA



REV	DESCRIPTION	DATE	ECN
A	新機種	2007/1/30	



PRESSURE SWITCH THREE-IN-ONE ASSEMBLY  
(from: Air-Filter-Regulator)

MODEL: GX 1300/GX 1600	
PART NAME	PART NUMBER
PNEUMATIC PARTS(SWING ARM ATC)	GX 000280437D
氣壓零件組件(換刀臂式ATC)	PAGE 1 OF 1
DATE 2007/1/30	REV. A
SHERRY KIN PHL	SCALE 1:6

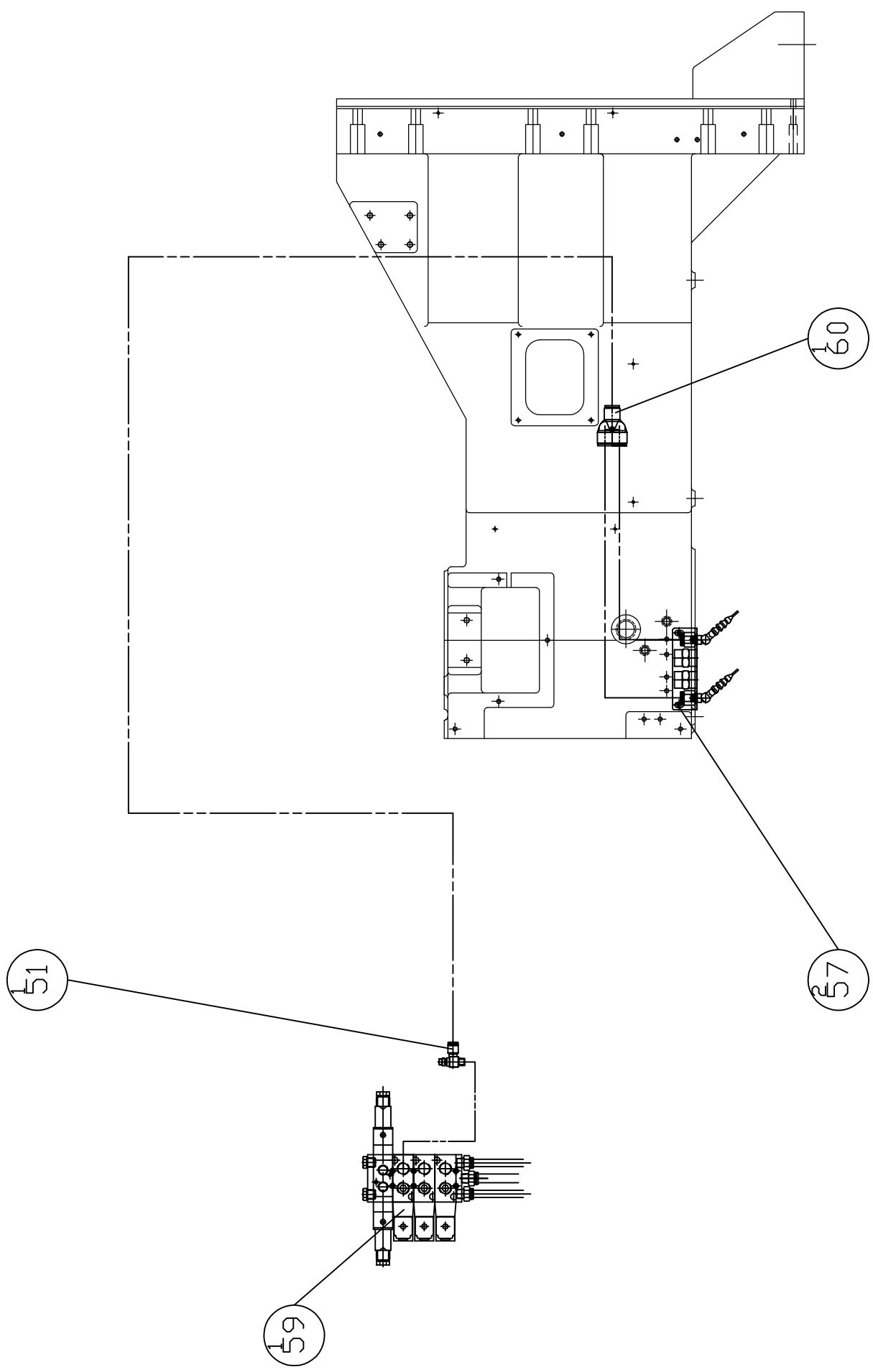
PRODUCT BOM MASTER AND SUB-ITEMS LIST  
\*\*\*\*\*

Master Item Part NO.: GX 000280437D

Description: PNEUMATIC PARTS(SWING ARM ATC)  
氣壓零組件(換刀臂式ATC)

Item	Part NO.	Description	中文名稱	Specification	Qty	Unit
1.00	NV 00077030811	STRAIGHT, PRESTO ADAPTER	直型快速接頭	PT1/4XΦ 10(JPC10-02)	2.00	EA
2.00	NV 00030480107	VALVE, PT1/4 2 WAY PNEUMATIC	氣壓電磁閥(五口二位雙線圈)	PT1/4" DC24V(MVSD-260-4E2)	1.00	EA
3.00	NV 00077031702	PLUG, SOCKET HEX.	塞頭(內六角)	PT1/4(AM030002T)	5.00	EA
4.00	NV 00077031302	PRESTO ADAPTER, ELBOW(ADJUSTAB	90度彎肘快速接頭(附調速)	PT1/4XΦ 10(JDSC10-02B)	2.00	EA
5.00	NV 00077030710	PRESTO ADAPTER, ELBOW	90度彎肘快速接頭	PT3/8XΦ 10(CTL10-03)	2.00	EA

REV	DESCRIPTION	DATE	ECN
A	新機種	2007/4/1	



MODEL: GX 1300/GX 1600	PART NUMBER: GX 000280434D
PART NAME: PNEUMATIC PARTS(AIR BLOW)	PAGE 1 OF 1
氣壓零件(模吹/風)	REV. A
DATE 2007/4/1	SCALE 1:12
KURT KIN PHL	

PRODUCT BOM MASTER AND SUB-ITEMS LIST  
\*\*\*\*\*

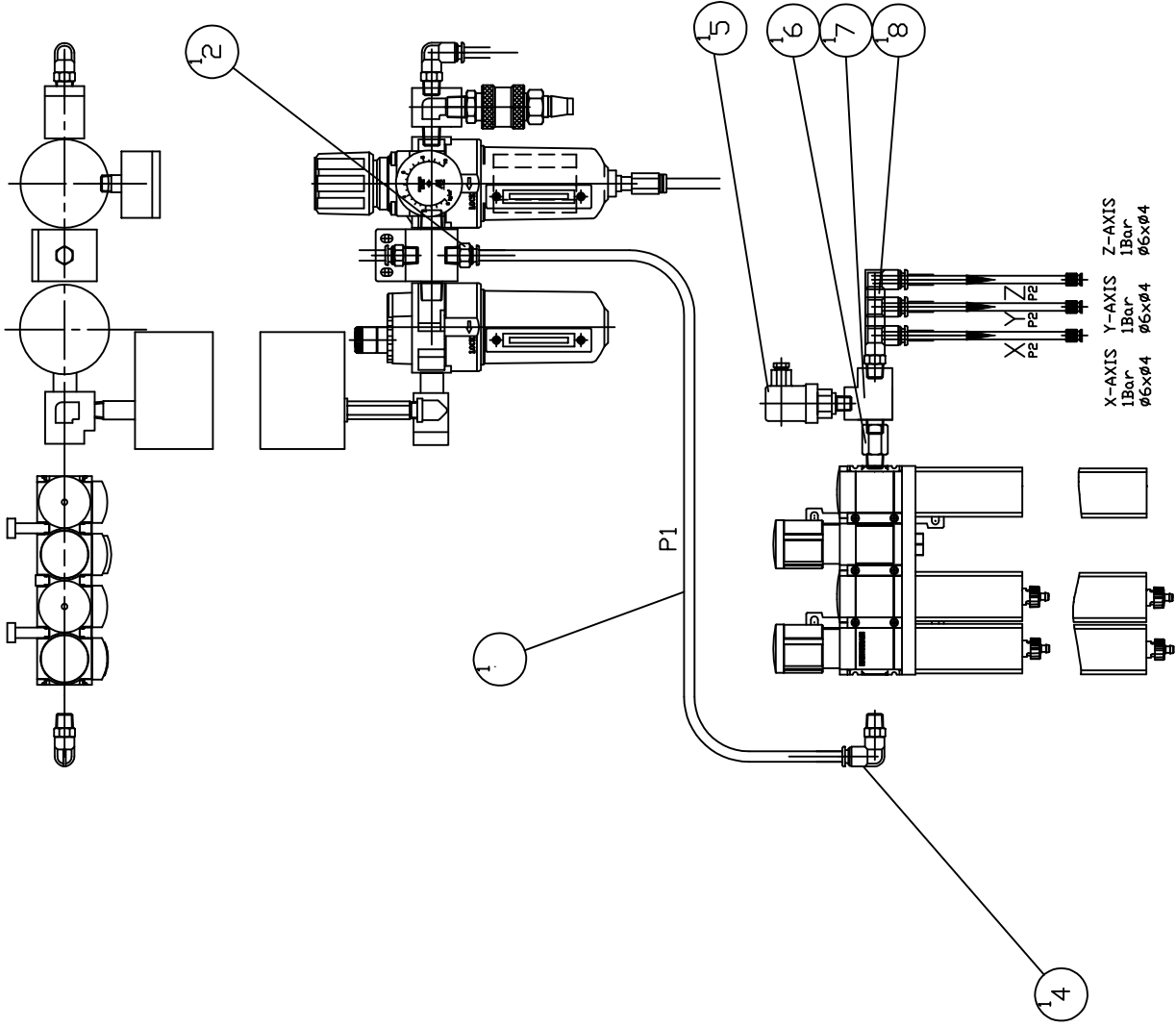
Master Item Part NO.: GX 000280434D

Description: PNEUMATIC PARTS(AIR BLOW)  
氣壓零組件(模貝吹屑)

Item	Part NO.	Description	中文名稱	Specification	Qty	Unit
51.00	NV 00077031303	PRESTO ADAPTER, ELBOW(ADJUSTAB	90度彎肘快速接頭(附調速)	PT1/4XΦ8(JSC8-02A)	1.00	EA
57.00	NV 00077032101	PRESTO ADAPTER	夾壁式快速接頭	PT1/4XΦ8(CTCMF8-02)	2.00	EA
59.00	NV 00030480101	VALVE, PT1/4 2 WAY PNEUMATIC	氣壓電磁閥(五口二位單線圈)	PT1/4" DC24V(MVSD-260-4E1)	1.00	EA
60.00	NV 00077031002	PRESTO ADAPTER,Y	Y型快速接頭	Y Φ8	1.00	EA

REV	DESCRIPTION	DATE	ECN
A	新機種	2013/1/30	1003296
B	機-機NAV_00077902(2)1A40_機種改	2014/4/9	1003595

品名	品番	規格	数量	備註
P1	GX Series			
	GX600/800/1000	PU 06X 0-4KMINDHAND15H	1	
	GX1300/1600	PU 06X 0-4KMINDHAND15H	1	
		PU 06X 0-4KMINDHAND25H	1	



MODEL: GX series	PART NUMBER	NV B000280435A
PNEUMATIC PARTS (LINEAR SCALE)	PAGE 1 OF 1	REV. B
氣壓零件 (光學尺)	SCALE 1:6	
DATE 2013/1/30	DATE	

PRODUCT BOM MASTER AND SUB-ITEMS LIST  
\*\*\*\*\*

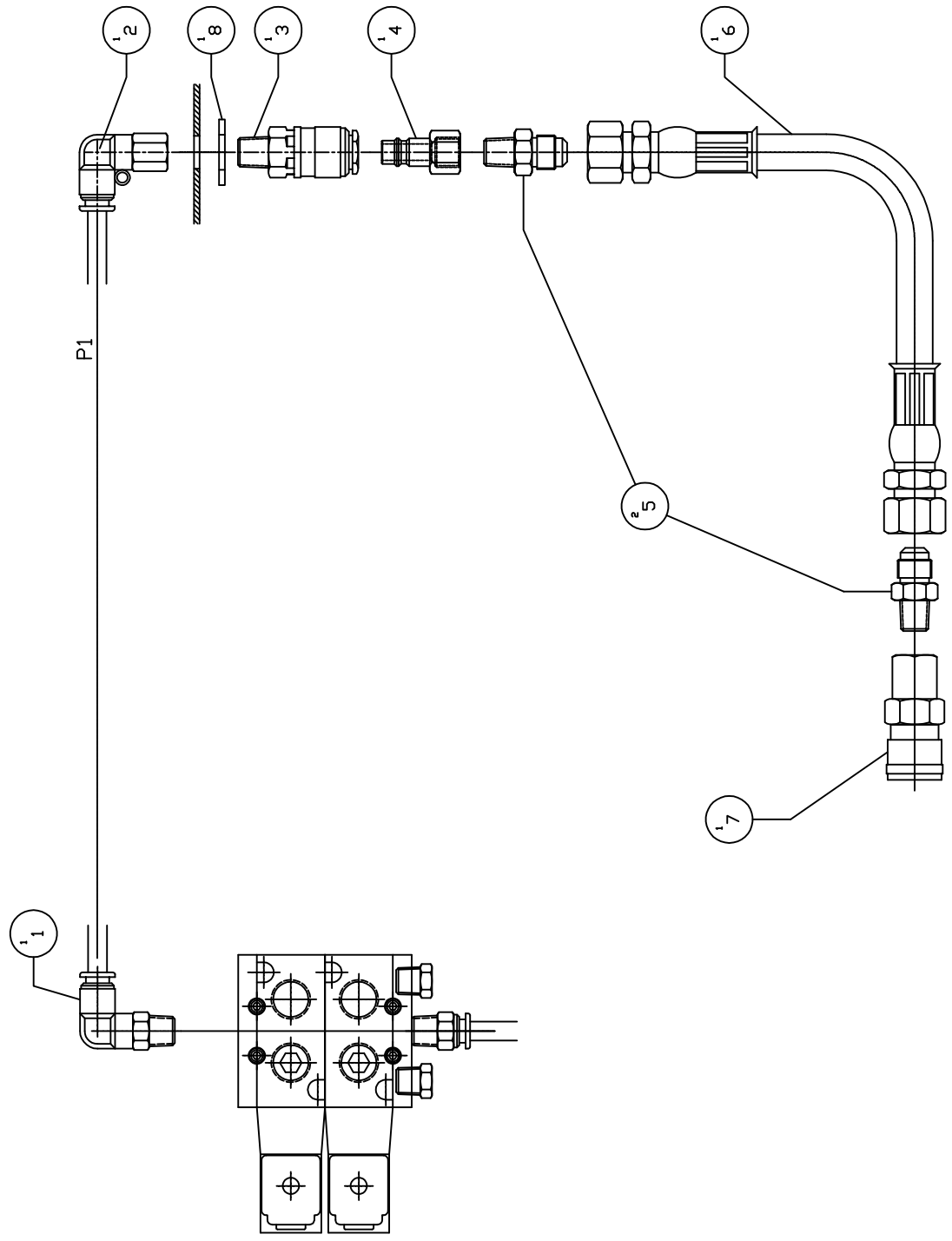
Master Item Part NO.: NVB000280435A

Description: PNEUMATIC PARTS(LINEAR SCALE)  
氣壓零組件(光學尺)

Item	Part NO.	Description	中文名稱	Specification	Qty	Unit
2.00	NV 00077030806	STRAIGHT, PRESTO ADAPTER	直型快速接頭	PT1/4XΦ8(JPC8-02)	1.00	EA
4.00	NV 00077030702	PRESTO ADAPTER, ELBOW	90度彎肘快速接頭	PT1/4XΦ8(JPL8-02)	1.00	EA
5.00	NV 00117360109	PRESSURE SWITCH	壓力開關	(PMM2A14K),0.15~2KG/CM2,PT1/4"	1.00	EA
6.00	NV 00077031240	BUSHING FITTING	表接接頭	PT1/4"XPT1/4"	1.00	EA
7.00	NV 00077031602	TEE ADAPTER, FEMALE&MALE	內外牙三通	PT1/4"(M)XPT1/4"(F)XPT1/4"(F)	1.00	EA
8.00	NV 00077031017	PRESTO ADAPTER	快速接頭	PHT-6-02	1.00	EA

REV	DESCRIPTION	DATE	ECN
A	新機種	2012/2/23	2872

標號	適用機型	料號	名稱	規格
P1	GX600/800/1000	NV 00070070206	風壓用管	PU $\phi 8 \times \phi 5$ (MINDMAN) $\times 3.6M$
	GX1300/1600	NV 00070070212	風壓用管	PU $\phi 8 \times \phi 5$ (MINDMAN) $\times 4.7M$



臺灣研華電腦(Force), 研華電腦(Siemens)及研華BDM  
 MODEL: GX600/800/1000/1300/1600  
 PART NUMBER: NVA000280404A  
 PART NAME: 4TH AXIS PNEUMATIC  
 第四軸氣壓管路  
 PAGE 1 OF 1  
 DATE: 2012/2/23  
 SCALE: 1:3  
 REV: A

PRODUCT BOM MASTER AND SUB-ITEMS LIST  
\*\*\*\*\*

Master Item Part NO.: NVA000280404A

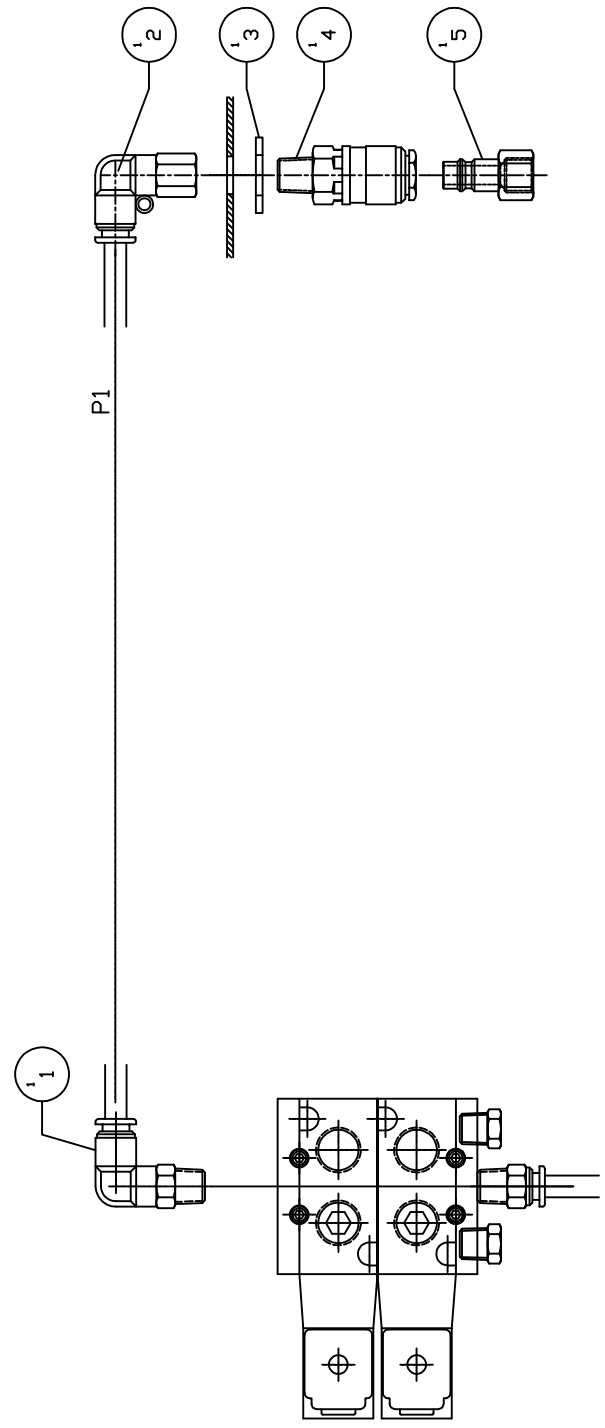
Description: 4TH AXIS PNEUMATIC  
第四軸氣壓管路

Item	Part NO.	Description	中文名稱	Specification	Qty	Unit
1.00	NV 00077030702	PRESTO ADAPTER, ELBOW	90度彎肘快速接頭	PT1/4XΦ8(JPL8-02)	1.00	EA
2.00	NV 00077030717	PRESTO ADAPTER, ELBOW, FEMALE	90度彎肘快速接頭(內牙)	PT1/4XΦ8(PLF8-02)	1.00	EA
3.00	NV 00077030905	PRESTO ADAPTER, EURO STD, F	外牙直快速接頭(母)	歐規母1/4外牙==C20SM	1.00	EA
4.00	NV 00077030906	PRESTO ADAPTER, EURO STD, M	內牙直快速接頭(公)	歐規公1/4內牙==C20PF	1.00	EA
5.00	NV 00077030212	ADAPTER	異徑六角接頭	PT1/4X9/16-18UNF	2.00	EA
6.00	NV 00069650188	HOSE, FLEXIBLE HYDRAULIC	耐油橡膠管(外覆鋼絲)	Φ3/8"XW9/16"-18UNFX2.5M	1.00	EA
7.00	NV 00077030901	PRESTO ADAPTER, STRIGHT(FEMALE)	內牙直快速接頭(母)	PT1/4"(SF20)	1.00	EA
8.00	MW 0104410	FLAT WASHER	平墊圈	M14(D14XD28XT3)	1.00	EA



REV	DESCRIPTION	DATE	ECN
A	新增	2012/7/18	

標號	適用機型	料號	名稱	規格
P1	GX480/710	NV 00070070261	風壓用管	PU $\phi 8 \times \phi 5$ (MINDMAN)2.1M
	GX300/510/600/800/1000	NV 00070070206	風壓用管	PU $\phi 8 \times \phi 5$ (MINDMAN)3.6M
	GX1300/1600	NV 00070070212	風壓用管	PU $\phi 8 \times \phi 5$ (MINDMAN)4.7M



MODEL: GX300/510/480/710/600/800/1000/1300/1600	
PART NAME	PART NUMBER
4TH AXIS PNEUMATIC	NV 000280410A
第四軸頂留氣壓管路	PAGE 1 OF 1
DATE 2012/7/18	REV. A
	SCALE 1:3

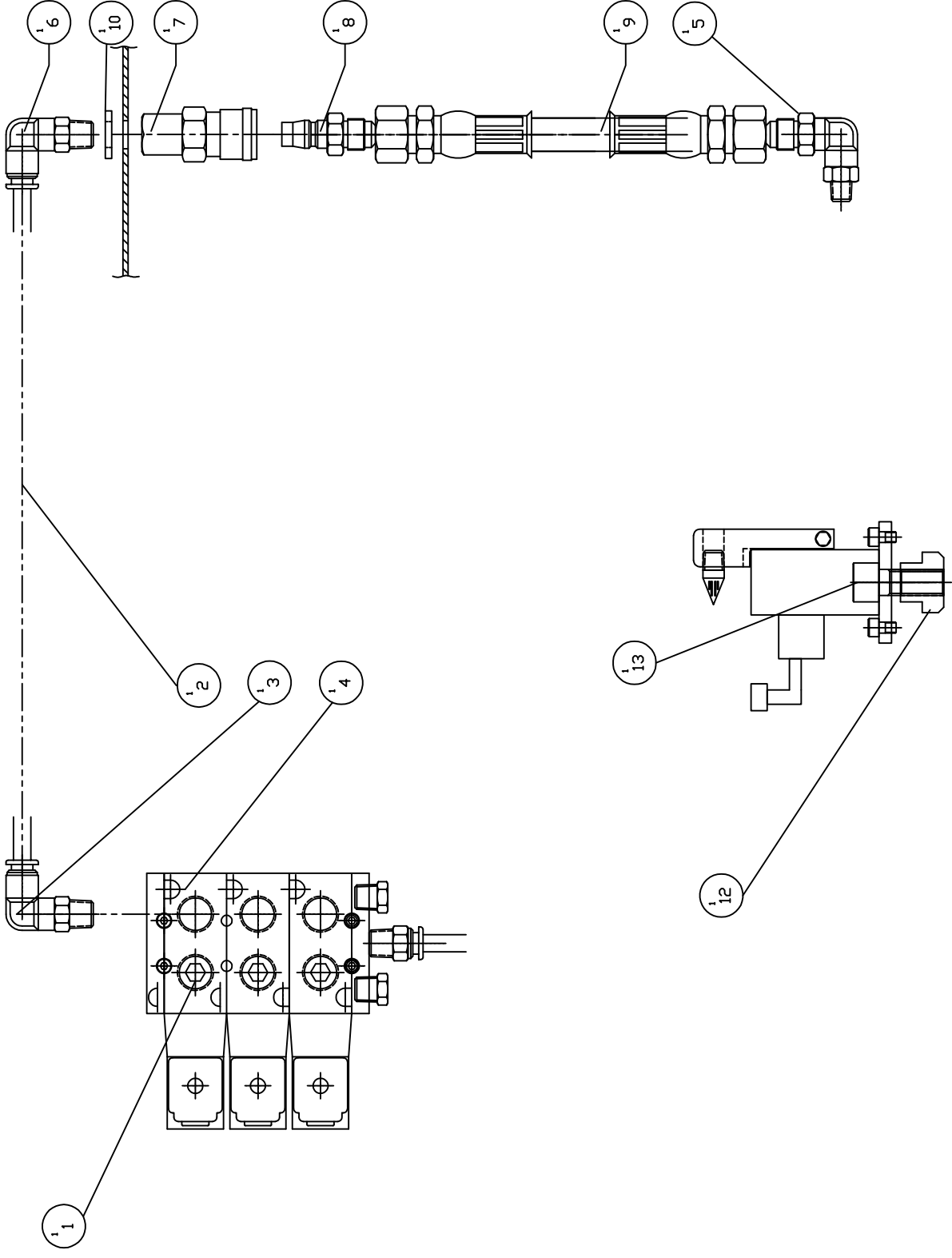
PRODUCT BOM MASTER AND SUB-ITEMS LIST  
\*\*\*\*\*

Master Item Part NO.: NV 000280410A

Description: 4TH AXIS PREP PNEUMATIC  
第四軸預留氣壓管路

Item	Part NO.	Description	中文名稱	Specification	Qty	Unit
1.00	NV 00077030702	PRESTO ADAPTER, ELBOW	90度彎肘快速接頭	PT1/4XΦ8(JPL8-02)	1.00	EA
2.00	NV 00077030717	PRESTO ADAPTER, ELBOW, FEMALE	90度彎肘快速接頭(內牙)	PT1/4XΦ8(PLF8-02)	1.00	EA
3.00	MW 0104410	FLAT WASHER	平墊圈	M14(D14XD28XT3)	1.00	EA
4.00	NV 00077030905	PRESTO ADAPTER, EURO STD, F	外牙直快速接頭(母)	歐規母1/4外牙==C20SM	1.00	EA
5.00	NV 00077030906	PRESTO ADAPTER, EURO STD, M	內牙直快速接頭(公)	歐規公1/4內牙==C20PF	1.00	EA

REV	DESCRIPTION	DATE	ECN
A	初版	2007/10/19	7-4
B	配管 配管径変更 (1000/1000)	2008/10/11	1000319



Renishaw-TS27R 専用

MODEL: GX600/800/1000/1300/1600	PART NUMBER
PART NAME TOOL PROBE, AIR BLAST PNEUMATIC PARTS 刀具量测吹气装置管路 (TS27R 専用)	NV 000280406A
DATE 2007/10/18	PAGE 1 OF 1
SCALE 1:3	REV. A

# PRODUCT BOM MASTER AND SUB-ITEMS LIST

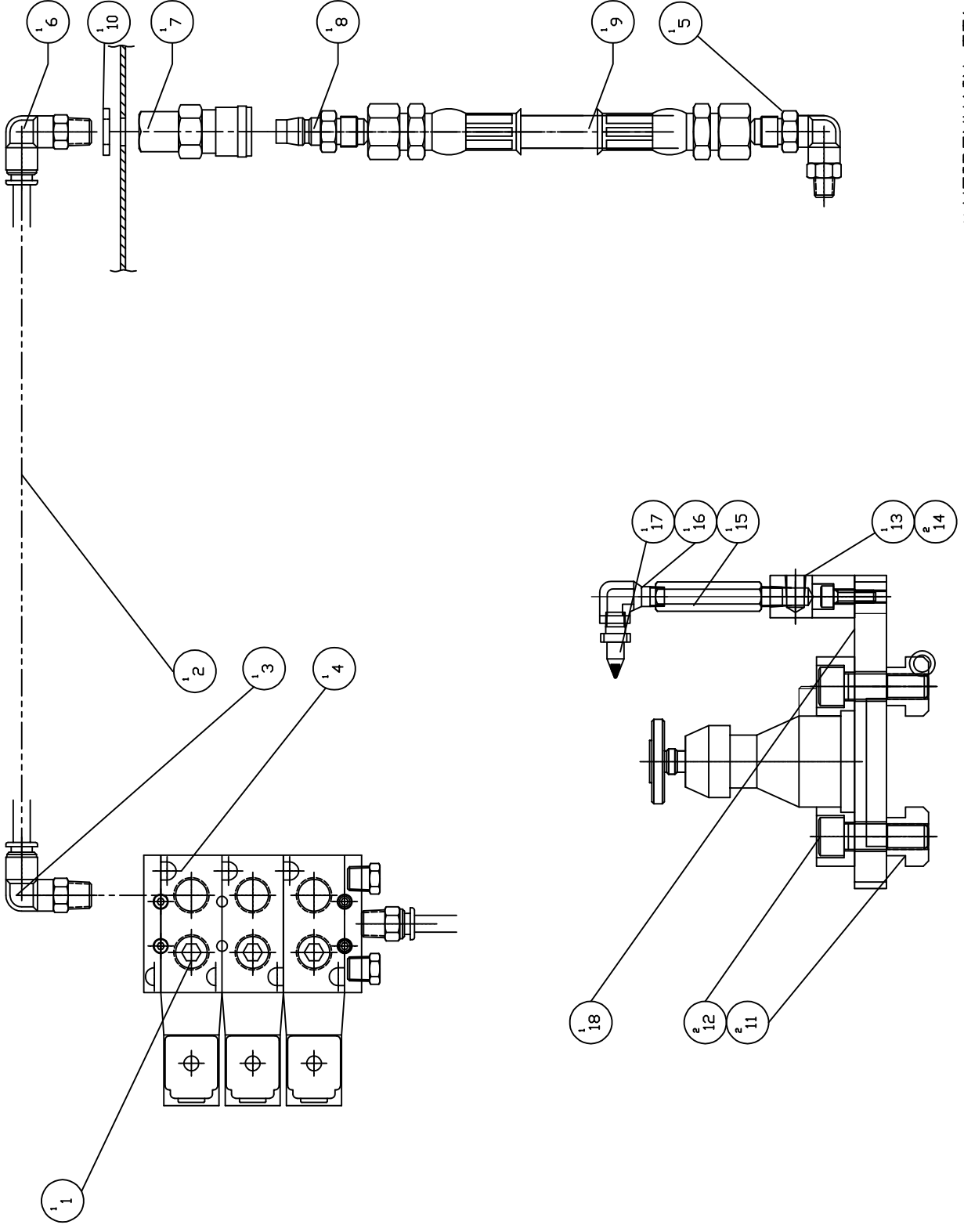
\*\*\*\*\*

Master Item Part NO.: NV 000280406A

Description: TOOL PROBE AIR BLAST PARTS  
刀具量測吹氣裝置管路 (TS27R專用)

Item Part NO.	Description	中文名稱	Specification	Qty	Unit
1.00 NV 00077031702	PLUG, SOCKET HEX.	塞頭(內六角)	PT1/4(AM030002T)	1.00	EA
2.00 NV 00070070245	TUBING, PNEUMATIC	風壓用管	PU $\phi$ 8X $\phi$ 5(MINDMAN)3.1M	1.00	EA
3.00 NV 00077030702	PRESTO ADAPTER, ELBOW	90度彎肘快速接頭	PT1/4X $\phi$ 8(JPL8-02)	1.00	EA
4.00 NV 00030480101	VALVE, PT1/4 2 WAY PNEUMATIC	氣壓電磁閥(五口二位單線圈)	PT1/4" DC24V(MVSD-260-4E1)	1.00	EA
5.00 NV 00077030538	90DEG NIPPLE	90度肘管接頭	90DEG PT1/8"X9/16"-18UNF(MALE)	1.00	EA
6.00 NV 00077030702	PRESTO ADAPTER, ELBOW	90度彎肘快速接頭	PT1/4X $\phi$ 8(JPL8-02)	1.00	EA
7.00 NV 00077030901	PRESTO ADAPTER, STRIGHT(FEMALE)	內牙直快速接頭(母)	PT1/4"(SF20)	1.00	EA
8.00 NV 00077031403	PRESTO ADAPTER, STRAIGHT MALE(	外牙直快速接頭(公)	W9/16-18UNFX1/4"	1.00	EA
9.00 NV 00069650188	HOSE, FLEXIBLE HYDRAULIC	耐油橡膠管(外覆鋼絲)	$\phi$ 3/8"XW9/16"-18UNFX2.5M	1.00	EA
10.00 MW 0104210	FLAT WASHER	平墊圈	M12(D13XD34)	1.00	EA
11.00 NV 00028340432	TS27R AIR BLOW DEVICE	TS27R專用吹氣裝置	A-1000-0001	1.00	EA
12.01 NVA001050201A	T NUT	T型螺帽	L28XW28XH20(M12X1.75)	1.00	EA
13.00 MS 0104220	SOCKET HEAD CAP SCREW	六角穴圓頭螺絲	M12XP1.75XL30	1.00	EA

REV	DESCRIPTION	DATE	ECN
A	種更改	2014/10/21	



超HEIDENHAIN-TT1140専用

MODEL: GX600/800/1000/1300/1600	PART NUMBER
PART NAME TOOL PROBE, AIR BLAST PNEUMATIC PARTS 刀具量測吹氣裝置零件 (TT1140専用)	NV 000280407A
DATE 2014/10/21	PAGE 1 OF 1
SCALE 1:3	REV. A

# PRODUCT BOM MASTER AND SUB-ITEMS LIST

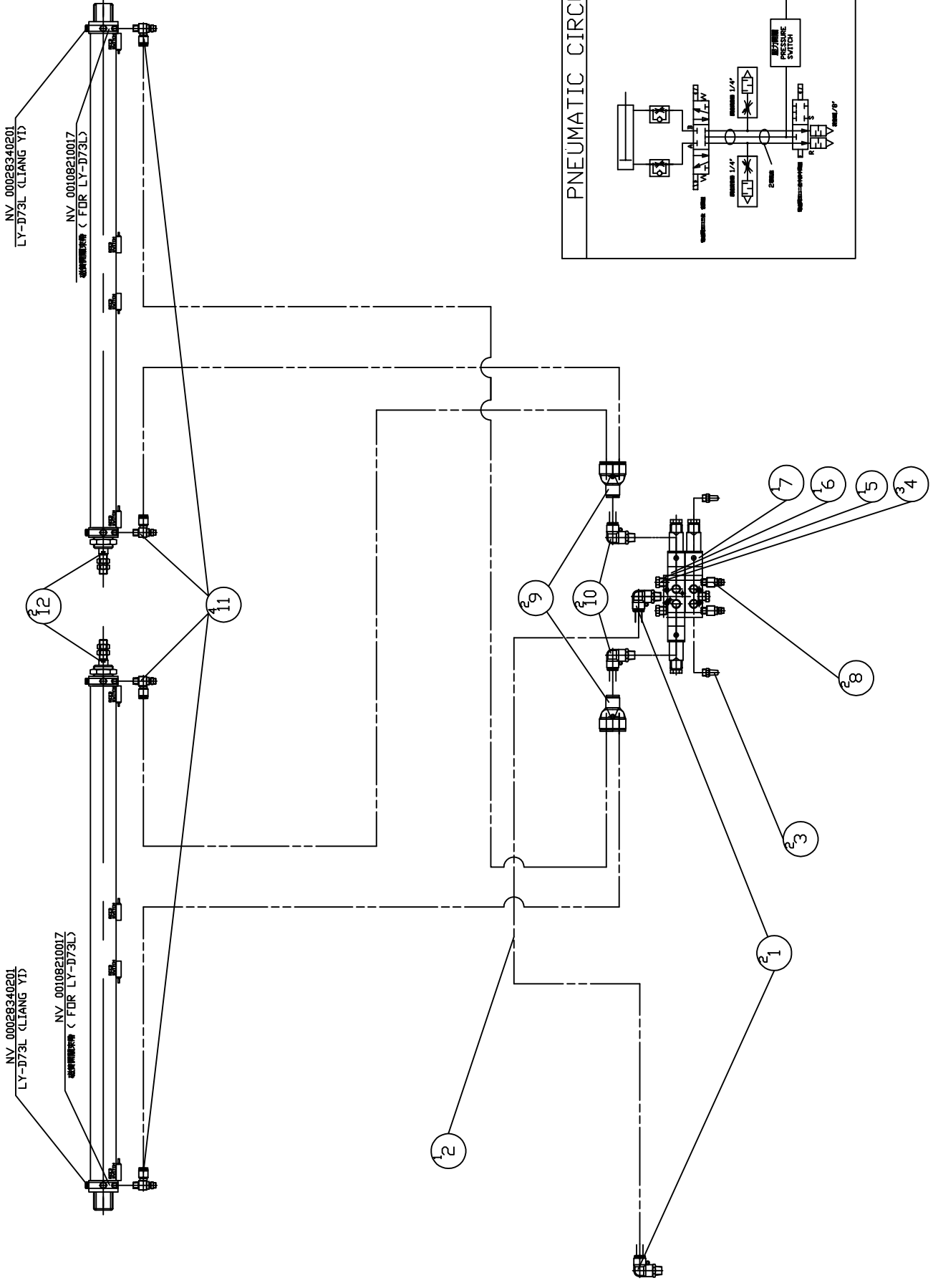
\*\*\*\*\*

Master Item Part NO.: NV 000280407A

Description: TOOL PROBE AIR BLAST PARTS  
刀具量測吹氣裝置管路 (TT-140專用)

Item	Part NO.	Description	中文名稱	Specification	Qty	Unit
1.00	NV 00077031702	PLUG, SOCKET HEX.	塞頭(內六角)	PT1/4(AM030002T)	1.00	EA
2.00	NV 00070070245	TUBING, PNEUMATIC	風壓用管	PU $\Phi$ 8X $\Phi$ 5(MINDMAN)3.1M	1.00	EA
3.00	NV 00077030702	PRESTO ADAPTER, ELBOW	90度彎肘快速接頭	PT1/4X $\Phi$ 8(JPL8-02)	1.00	EA
4.00	NV 00030480101	VALVE, PT1/4 2 WAY PNEUMATIC	氣壓電磁閥(五口二位單線圈)	PT1/4" DC24V(MVSD-260-4E1)	1.00	EA
5.00	NV 00077030538	90DEG NIPPLE	90度肘管接頭	90DEG PT1/8"X9/16"-18UNF(MALE)	1.00	EA
6.00	NV 00077030702	PRESTO ADAPTER, ELBOW	90度彎肘快速接頭	PT1/4X $\Phi$ 8(JPL8-02)	1.00	EA
7.00	NV 00077030901	PRESTO ADAPTER, STRIGHT(FEMALE)	內牙直快速接頭(母)	PT1/4"(SF20)	1.00	EA
8.00	NV 00077031403	PRESTO ADAPTER, STRAIGHT MALE(	外牙直快速接頭(公)	W9/16-18UNFX1/4"	1.00	EA
9.00	NV 00069650188	HOSE, FLEXIBLE HYDRAULIC	耐油橡膠管(外覆鋼絲)	$\Phi$ 3/8"XW9/16"-18UNFX2.5M	1.00	EA
10.00	MW 0104210	FLAT WASHER	平墊圈	M12(D13XD34)	1.00	EA
11.00	NVA001050201A	T NUT	T型螺帽	L28XW28XH20(M12X1.75)	2.00	EA
12.00	MS 0104220	SOCKET HEAD CAP SCREW	六角六圓頭螺絲	M12XP1.75XL30	2.00	EA
13.00	XR 000403806A	PLATE, TOOL MEASURE	吹氣固定塊	L:60XW:40XH:20	1.00	EA
14.00	MS 0103618NI	SOCKET HEAD CAP SCREW (NICKEL)	六角六圓頭螺絲(鍍鎳)	M6XP1.0XL20	2.00	EA
15.00	NV 00077031247	BUSHING FITTING	表接接頭(加長)	PT1/8(M)XPT1/8(F)-L:60MM	1.00	EA
16.00	NV 00077031233	ELBOW, BUSHING, BRASS	銅彎頭內外牙 (90度,PT1/8")	PT1/8"(M)XPT1/8"(F)	1.00	EA
17.00	NV 00028340450	AIR BLOW DEVICE	吹氣噴嘴	PT1/8"	1.00	EA
18.01	XR 000403807A	PLATE, TOOL MEASURE	刀具量測固定板	L:138XW:60XH:15	1.00	EA

REV	DESCRIPTION	DATE	ECN
A		2013/09/18	1003033

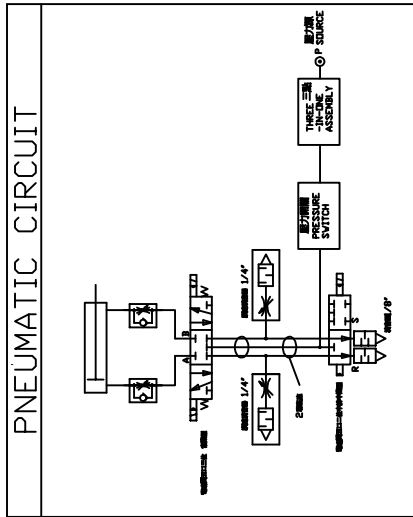


NV\_0028340201  
LY-D73L (LIANG YI)

NV\_00108210017  
FOR LY-D73L

NV\_0028340201  
LY-D73L (LIANG YI)

NV\_00108210017  
FOR LY-D73L



MODEL: GX 1300	PART NUMBER: GXA000280412D
PNEUMATIC PARTS(AUTO DOOR)	PAGE 1 OF 1
DATE: 2013/09/18	SCALE: 1:15
REV: A	REV: A

# PRODUCT BOM MASTER AND SUB-ITEMS LIST

\*\*\*\*\*

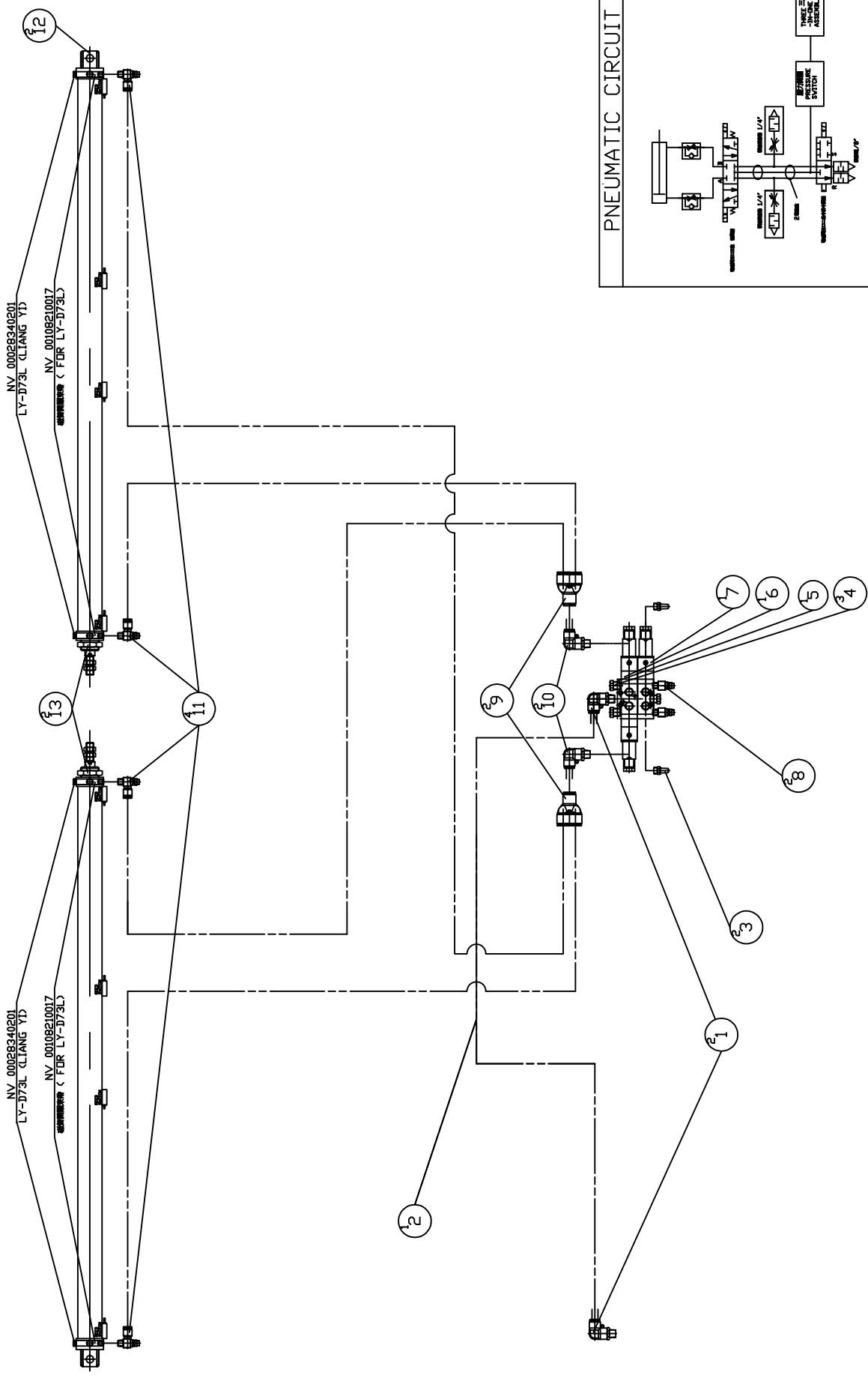
Master Item Part NO.: GXA000280412D

Description: PNEUMATIC PARTS(AUTO DOOR)  
氣壓零組件(自動門)

Item Part NO.	Description	中文名稱	Specification	Qty	Unit
1.00 NV 00077030706	PRESTO ADAPTER, ELBOW	90度彎肘快速接頭	PT1/4XΦ10(JPL10-02)	2.00	EA
2.00 NV 00070070215	TUBING, PNEUMATIC	風壓用管	PU Φ10XΦ6.5(MINDMAN)0.5M	1.00	EA
3.00 NV 00113350112	MUFFLER, BREATHER	銅質消音器	PT1/8(MSL-B-01)	2.00	EA
4.00 NV 00077031702	PLUG, SOCKET HEX.	塞頭(內六角)	PT1/4(AM030002T)	3.00	EA
5.00 NV 001023439A	MANIFOLD, PNEUMATIC	歧塊, 二聯電磁閥用(MPS15-5B2)	M2	1.00	EA
6.00 NV 00030480204	VALVE, PT1/8 3 WAY PNEUMATIC	氣壓電磁閥(五口三位雙線圈中閉型)	PT1/8" DC24V(MPS153024)	1.00	EA
7.00 NV 00030480205	VALVE, 2 WAY PNEUMATIC	氣壓電磁閥(五口二位單線圈)	DC24V(MPS152524)	1.00	EA
8.00 NV 00113350113	MUFFLER, BREATHER	調速消音器	PT1/4	1.00	EA
9.00 NV 00077031010	PRESTO ADAPTER, Y	Y型快速接頭	PW10-8	2.00	EA
10.00 NV 00077030706	PRESTO ADAPTER, ELBOW	90度彎肘快速接頭	PT1/4XΦ10(JPL10-02)	2.00	EA
11.00 NV 00077031308	PRESTO ADAPTER, ELBOW(ADJUSTAB	90度彎肘快速接頭(附調速)	PT1/8XΦ8(JSC8-01A)	4.00	EA
12.00 GXA000291703D	CYLINDER, AUTO DOOR	氣壓缸(自動門)	[MINDMAN]MCMA-11-40-725	2.00	EA



REV	DESCRIPTION	DATE	ECN
A		2013/09/26	1003033

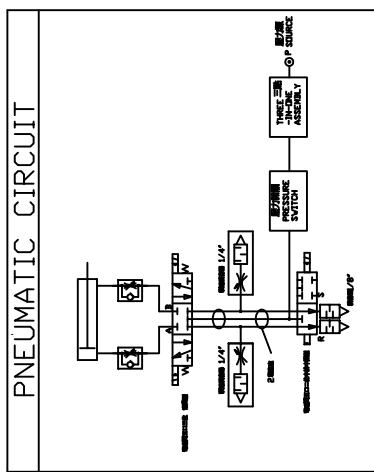


NV\_00028340201  
LY-D73L (LIANG YI)

NV\_00028340201  
LY-D73L (LIANG YI)

NV\_00109210017  
(FOR LY-D73L)

NV\_00109210017  
(FOR LY-D73L)



MODEL: GX 1600	PART NUMBER: GXA000280412E
PNEUMATIC PARTS(AUTO DOOR)	PAGE 1 OF 1
气压零件(自动门)	REV. A
DATE 2013/09/26	SCALE 1:15

# PRODUCT BOM MASTER AND SUB-ITEMS LIST

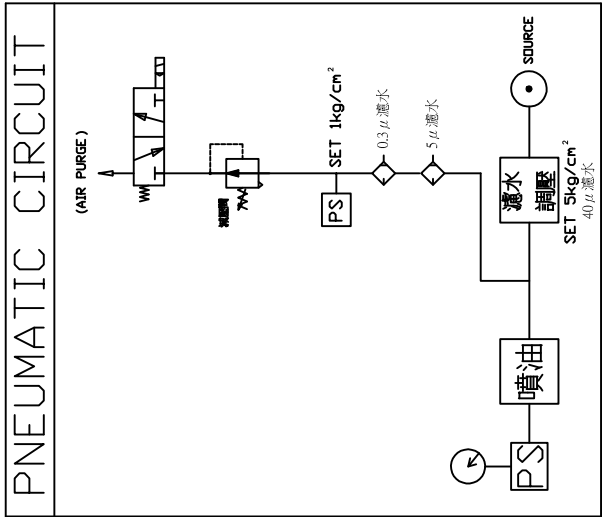
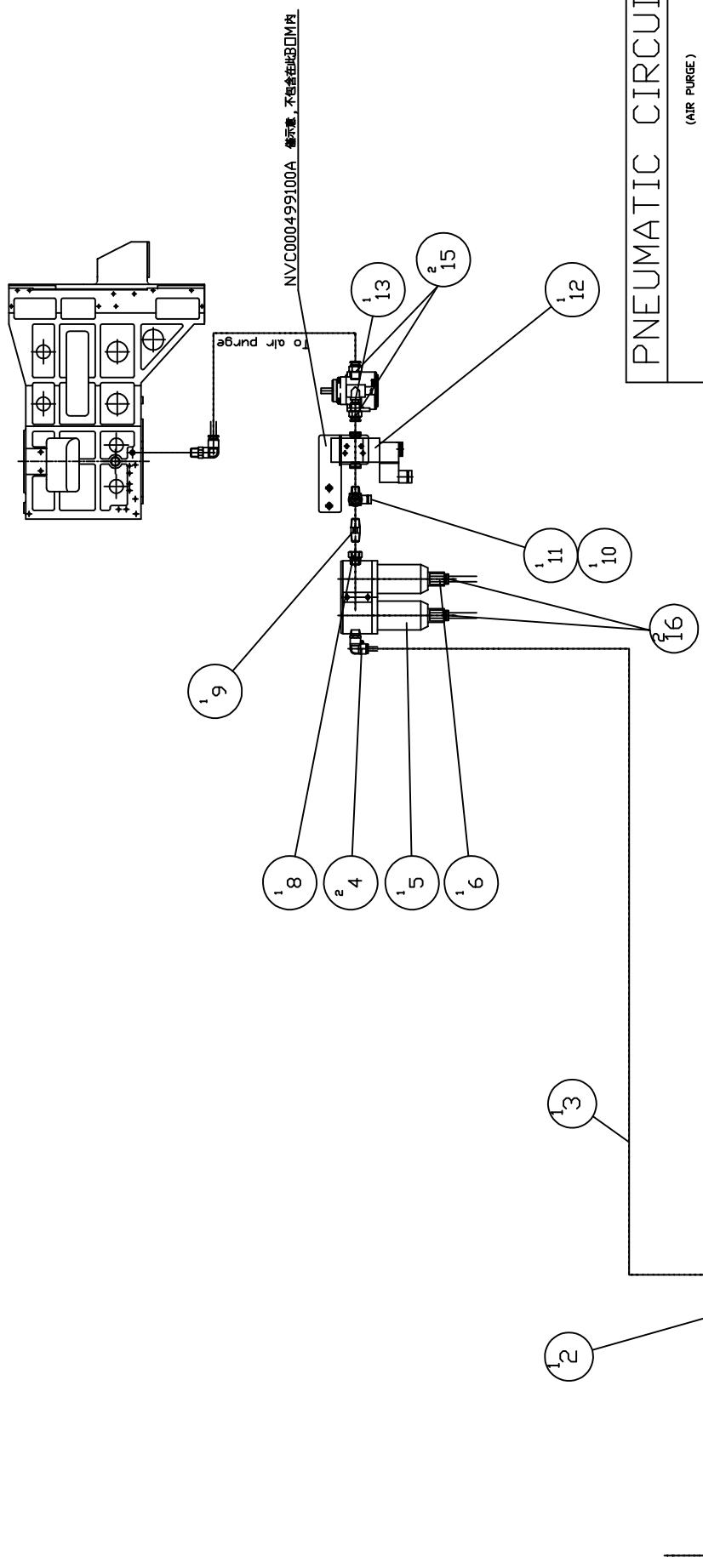
\*\*\*\*\*

Master Item Part NO.: GXA000280412E

Description: PNEUMATIC PARTS(AUTO DOOR)  
氣壓零組件(自動門)

Item Part NO.	Description	中文名稱	Specification	Qty	Unit
1.00	NV 00077030706 PRESTO ADAPTER, ELBOW	90度彎肘快速接頭	PT1/4XΦ10(JPL10-02)	2.00	EA
2.00	NV 00070070215 TUBING, PNEUMATIC	風壓用管	PU Φ10XΦ6.5(MINDMAN)0.5M	1.00	EA
3.00	NV 00113350112 MUFFLER, BREATHER	銅質消音器	PT1/8(MSL-B-01)	2.00	EA
4.00	NV 00077031702 PLUG, SOCKET HEX.	塞頭(內六角)	PT1/4(AM030002T)	3.00	EA
5.00	NV 001023439A MANIFOLD, PNEUMATIC	歧塊,二聯電磁閥用(MPS15-5B2)	M2	1.00	EA
6.00	NV 00030480204 VALVE, PT1/8 3 WAY PNEUMATIC	氣壓電磁閥(五口三位雙線圈中閉型)	PT1/8" DC24V(MPS153024)	1.00	EA
7.00	NV 00030480205 VALVE, 2 WAY PNEUMATIC	氣壓電磁閥(五口二位單線圈)	DC24V(MPS152524)	1.00	EA
8.00	NV 00113350113 MUFFLER, BREATHER	調速消音器	PT1/4	2.00	EA
9.00	NV 00077031010 PRESTO ADAPTER, Y	Y型快速接頭	PW10-8	2.00	EA
10.00	NV 00077030706 PRESTO ADAPTER, ELBOW	90度彎肘快速接頭	PT1/4XΦ10(JPL10-02)	2.00	EA
11.00	NV 00077031308 PRESTO ADAPTER, ELBOW(ADJUSTAB	90度彎肘快速接頭(附調速)	PT1/8XΦ8(JSC8-01A)	4.00	EA
12.00	NV 00032530304 PIN	直銷	SDB PIN-25	2.00	EA
13.00	GXA000291703E CYLINDER, AUTO DOOR	氣壓缸,自動門	[MINDMAN]JMCMA-11-40-868	2.00	EA

REV	DESCRIPTION	DATE	ECN
A	新機種	2015/1/11	1003797



適用機型:

- 1.VMC 480/710#30-有中心給水
- 2.VMC 300/510/480/710#40-有無中心給水
- 3.VMC 6/8/10/1250/1500/13/16#40,#50-有無中心給水

MODEL: VMC480#30,300/510/600/800/1000/1250/1500/1300/1600#40#50
PART NAME PNEUMATIC PARTS <AIR PURGE> 氣壓零件組件 <AIR PURGE>
PART NUMBER NVB000280454A
DATE 2015/1/11
SCALE 1:1.2
REV. A

# PRODUCT BOM MASTER AND SUB-ITEMS LIST

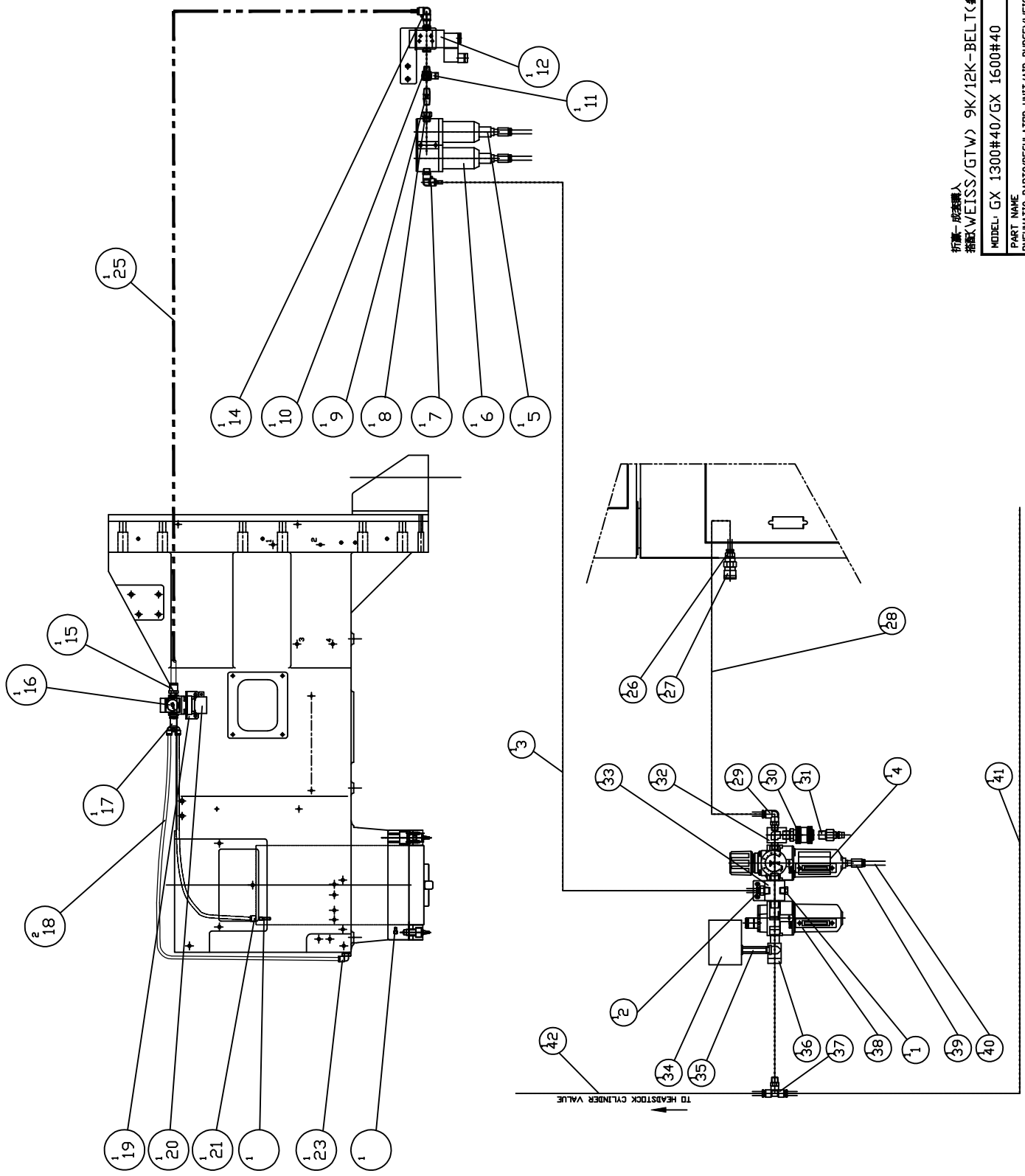
\*\*\*\*\*

Master Item Part NO.: NVB000280454A

Description: PNEUMATIC PARTS(AIR PURGE)  
氣壓管路(AIR PURGR)

Item Part NO.	Description	中文名稱	Specification	Qty	Unit
1.00	NV 00077031702 PLUG, SOCKET HEX.	塞頭(內六角)	PT1/4(AM030002T)	1.00	EA
2.00	NV 00077030806 STRAIGHT, PRESTO ADAPTER	直型快速接頭	PT1/4XΦ8(JPC8-02)	1.00	EA
3.00	NV 00070070244 TUBING, PNEUMATIC	風壓用管	PU Φ8XΦ5(MINDMAN)1.0M	1.00	EA
4.00	NV 00077030702 PRESTO ADAPTER, ELBOW	90度彎附快速接頭	PT1/4XΦ8(JPL8-02)	2.00	EA
5.00	NV 00107790110 FILTER(5U)	過濾器(5U)	1/4 MAF300(27T0-8A)	1.00	EA
6.00	NV 00107790118 FILTER(0.3U)	過濾器(0.3U,附自動排水器)	3/8 MAF300LD-10AD	1.00	EA
8.00	NV 00077031203 BUSHING, BRASS	卜申接頭	PT3/8"XPT1/4"	1.00	EA
9.00	NV 00077030271 CONNECTOR	雙外牙接頭	PT1/4"(M)XPT1/4"(M)	1.00	EA
10.00	NV 00077031602 TEE ADAPTER, FEMALE&MALE	內外牙三通	PT1/4"(M)XPT1/4"(F)XPT1/4"(F)	1.00	EA
11.00	NV 00117360109 PRESSURE SWITCH	壓力開關	(PMM2A14K),0.15~2KG/CM2,PT1/4"	1.00	EA
12.00	NV 00030480104 VALVE, PT1/4 2 WAY PNEUMATIC	氣壓電磁閥(三口二位單線圈)	PT1/4 "DC24V(MVSC-220-3E1-NC)	1.00	EA
13.02	NV 00114520101 VALVE, REDUCING	減壓閥(空壓用,不附錶與調壓)	1/4"(S200-04)	1.00	EA
14.00	NV 00107790205 AUTOMATIC DRAIN WATER	自動排水器	FMRF300-AD-U	1.00	EA
15.00	NV 00077030806 STRAIGHT, PRESTO ADAPTER	直型快速接頭	PT1/4XΦ8(JPC8-02)	2.00	EA
16.00	NV 00107790205 AUTOMATIC DRAIN WATER	自動排水器	FMRF300-AD-U	2.00	EA

REV	DESCRIPTION	DATE	ECN
A	新機種	2016/1/26	1004048



訂原一成理職人  
 新機種 WEISS/GTW> 9K/12K-BEL T<參考GX 000331049D>  
 MODEL: GX 1300#40/GX 1600#40

PART NAME PNEUMATIC PARTSREGULATOR UNIT(AIR PURGE)(WEISS/GTW) 氣壓調整機 三聯組合(AIR PURGE)(WEISS/GTW)	PART NUMBER GXA000280445D
DATE 2016/1/26	PAGE 1 OF 1
SCALE 1:1	REV. A

# PRODUCT BOM MASTER AND SUB-ITEMS LIST

\*\*\*\*\*

Master Item Part NO.: GXA000280445D

Description: PNEUMATIC PARTS(AIR PURGE)

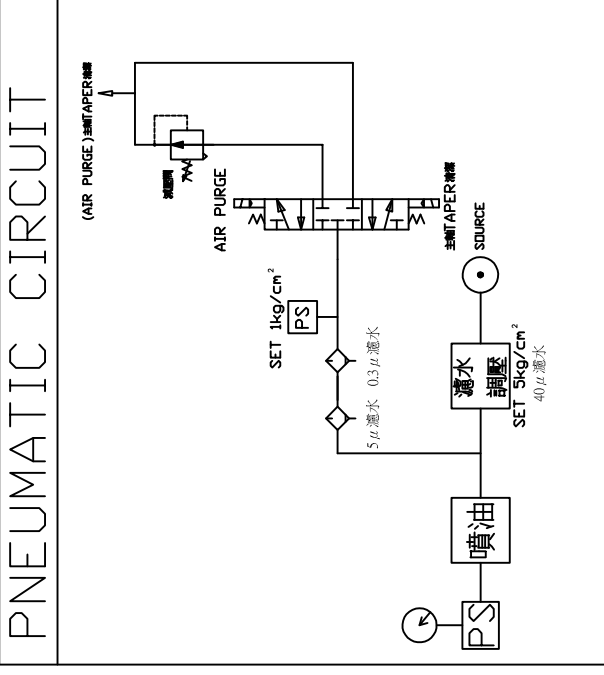
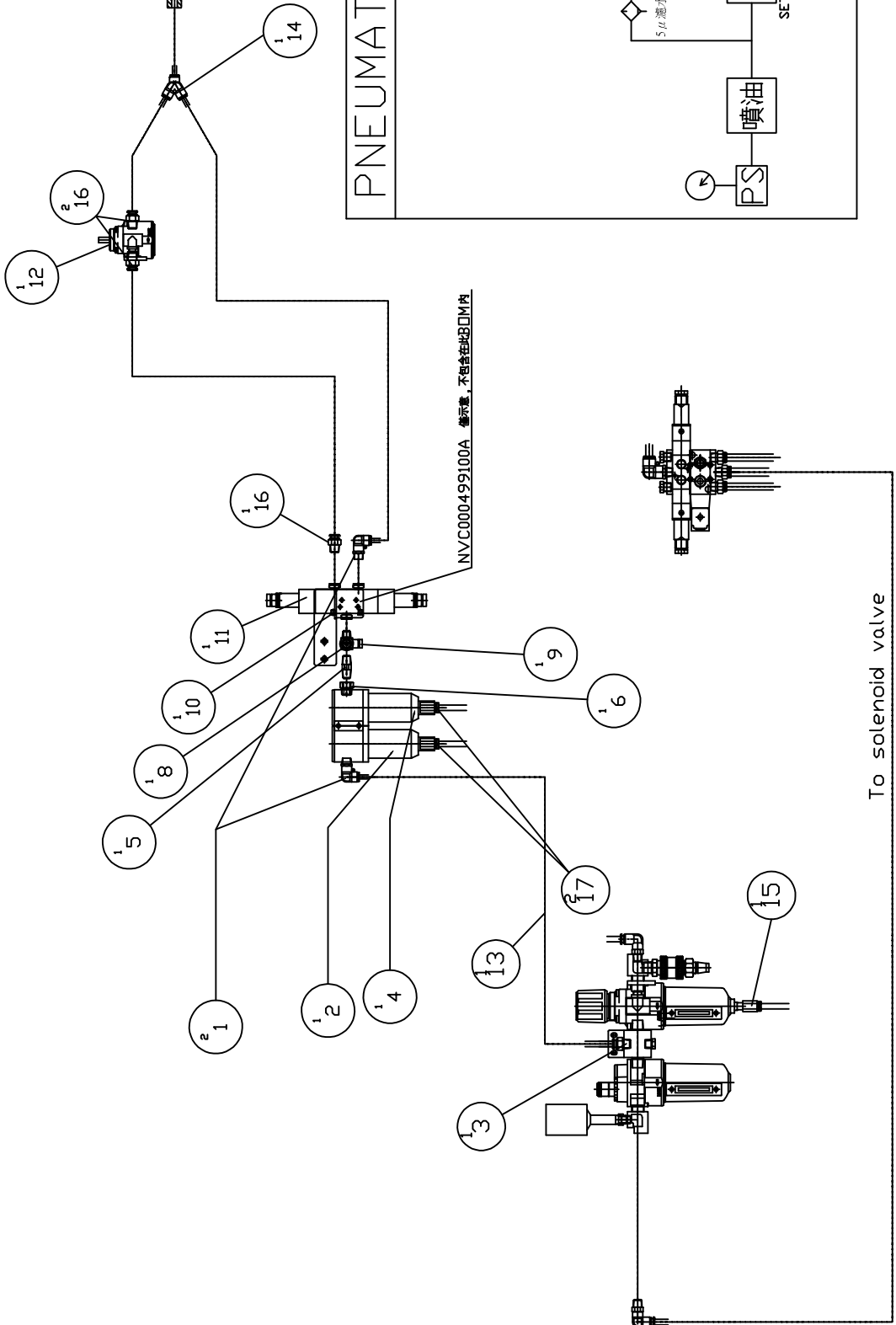
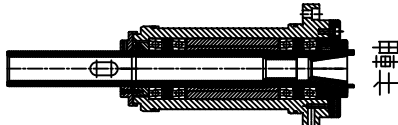
氣壓零組件(三聯組合/AIR PURGE)WEISS/GTW

Item	Part NO.	Description	中文名稱	Specification	Qty	Unit
1.00	NV 00077031702	PLUG, SOCKET HEX.	塞頭(內六角)	PT1/4(AM030002T)	1.00	EA
2.00	NV 00077030811	STRAIGHT, PRESTO ADAPTER	直型快速接頭	PT1/4XΦ10(JPC10-02)	1.00	EA
3.00	NV 00070070216	TUBING, PNEUMATIC	風壓用管	PU Φ10XΦ6.5(MINDMAN)1M	1.00	EA
4.00	NV 00107790205	AUTOMATIC DRAIN WATER	自動排水器	FMRF300-AD-U	1.00	EA
5.00	NV 00107790118	FILTER(0.3U)	過濾器(0.3U,附自動排水器)	3/8 MAF300LD-10AD	1.00	EA
6.00	NV 00107790110	FILTER(5U)	過濾器(5U)	1/4 MAF300(27T0-8A)	1.00	EA
7.00	NV 00077030706	PRESTO ADAPTER, ELBOW	90度彎肘快速接頭	PT1/4XΦ10(JPL10-02)	1.00	EA
8.00	NV 00077031203	BUSHING, BRASS	卜申接頭	PT3/8"XPT1/4"	1.00	EA
9.00	NV 00077030271	CONNECTOR	雙外牙接頭	PT1/4"(M)XPT1/4"(M)	1.00	EA
10.00	NV 00077031602	TEE ADAPTER, FEMALE&MALE	內外牙三通	PT1/4"(M)XPT1/4"(F)XPT1/4"(F)	1.00	EA
11.00	NV 00117360109	PRESSURE SWITCH	壓力開關	(PMM2A14K),0.15-2KG/CM2,PT1/4"	1.00	EA
12.00	NV 00030480104	VALVE, PT1/4 2 WAY PNEUMATIC	氣壓電磁閥(三口二位單線圈)	PT1/4 "DC24V(MVSC-220-3E1-NC)	1.00	EA
14.00	NV 00077030706	PRESTO ADAPTER, ELBOW	90度彎肘快速接頭	PT1/4XΦ10(JPL10-02)	1.00	EA
15.00	NV 00077030811	STRAIGHT, PRESTO ADAPTER	直型快速接頭	PT1/4XΦ10(JPC10-02)	1.00	EA
16.00	2115030013	BLOW REGULATOR	風量調整閥	AR20-02E-B	1.00	EA
17.00	H12KQU00060	ONE TOUCH FITTLNG	Y型快速接頭	KQ2U06-02S	1.00	EA
18.00	NV 00070070255	TUBING, PNEUMATIC	風壓用管	PU Φ6XΦ4(MINDMAN)0.7M	2.00	EA
19.00	2121140001	BRACKET	調整閥托架	AR23P-270AS	1.00	EA
20.00	2121130001	LOCKING	旋鈕封蓋	AR20P-580AS	1.00	EA

PRODUCT BOM MASTER AND SUB-ITEMS LIST  
\*\*\*\*\*

Item	Part NO.	Description	中文名稱	Specification	Qty	Unit
21.00	NV 00077030813	STRAIGHT, PRESTO ADAPTER	直型快速接頭	Φ6XM5(PC6-M5M)	1.00	EA
23.00	506-3009-048	ONE TOUCH FITTING	快速直角接頭	KQ2L06-02S(1/4"PT × D6)	1.00	EA
25.00	NV 00070070284	TUBING, PNEUMATIC	風壓用管	PU Φ10XΦ6.5(MINDMAN)4.7M	1.00	EA
26.00	NV 00077030806	STRAIGHT, PRESTO ADAPTER	直型快速接頭	PT1/4XΦ8(JPC8-02)	1.00	EA
27.00	NV 00077030901	PRESTO ADAPTER, STRIGHT(FEMALE)	內牙直快速接頭(母)	PT1/4"(SF20)	1.00	EA
28.00	NV 00070070206	TUBING, PNEUMATIC	風壓用管	PU Φ8XΦ5(MINDMAN)3.6 M	1.00	EA
29.00	NV 00077030701	PRESTO ADAPTER, ELBOW	90度彎肘快速接頭	PT3/8XΦ8(JPL-8-03)	1.00	EA
30.00	NV 00100590301	HAND SLIDE VALVE	滑動開關	PT3/8, MVHS-10A	1.00	EA
31.00	NV 00077031401	PRESTO ADAPTER, STRAIGHT MALE(	外牙直快速接頭(公)	PT3/8"(PM30)	1.00	EA
32.00	NV 00077031603	TEE ADAPTER, FEMALE&MALE	內外牙三通	PT3/8MXPT3/8FXPT3/8F(P104)	1.00	EA
33.00	NV 00107790304	CROSS UNION(FILTER/REGULATOR U	三聯組合用四通閥	P101-2(MINDMAN),PTF1/4"X2	1.00	EA
34.00	NV 00117360101	PRESSURE SWITCH(KP35)	壓力開關	0.2~7KG/CM2 1/4	1.00	EA
35.00	NV 00077030220	PIPE	2吋牙管	PT1/4XPT1/4X2"L(WEU-02-2)	1.00	EA
36.00	NV 00077031601	TEE ADAPTER, FEMALE&MALE	內外牙三通	PT3/8MXPT3/8FXPT1/4F	1.00	EA
37.00	NV 00077031101	PRESTO ADAPTER, TEE	三通快速接頭	PT3/8XΦ12	1.00	EA
38.00	NV 00107790122	FILTER/REGULATOR UNIT	三聯組合(15U)	[MINDMAN] MACP401-10A-D(15UM)	1.00	EA
39.00	NV 00077030801	STRAIGHT, PRESTO ADAPTER	直型快速接頭	PT1/8(F)XΦ8(JPG8-01)	1.00	EA
40.00	NV 00070070203	TUBING, PNEUMATIC	風壓用管	PU Φ8XΦ5(MINDMAN)1.2 M	1.00	EA
41.00	NV 00070070205	TUBING, PNEUMATIC	風壓用管	PU Φ12XΦ8(MINDMAN)0.7 M	1.00	EA
42.00	NV 00070070278	TUBING, PNEUMATIC	風壓用管	PU Φ12XΦ8 (MINDMAN) 4.5 M	1.00	EA

REV	DESCRIPTION	DATE	ECN
A	新零件圖	2015/11/14	1003797



MODEL	VMC480/710#30, 重機式500/800/1000#40(無中心給水)		
PART NAME	PNEUMATIC PARTS (AIR PURGE)		
零件名稱	氣壓零件 (AIR PURGE)		
DATE	2007/10/12	SCALE	1:1.2
	AUSTIN 字號		REV. A
	PHIL		
PART NUMBER	NVB000280455A		
PAGE	1 OF 1		

適用機型：  
 1.VMC 480/710#30—無中心給水  
 2.GX 600/800/1000#40 DDS—無中心給水



# PRODUCT BOM MASTER AND SUB-ITEMS LIST

\*\*\*\*\*

Master Item Part NO.: NVB000280455A

Description: PNEUMATIC PARTS(AIR PURGE,DDS)  
氣壓管路(AIR PURGR,DDS)無中心給水

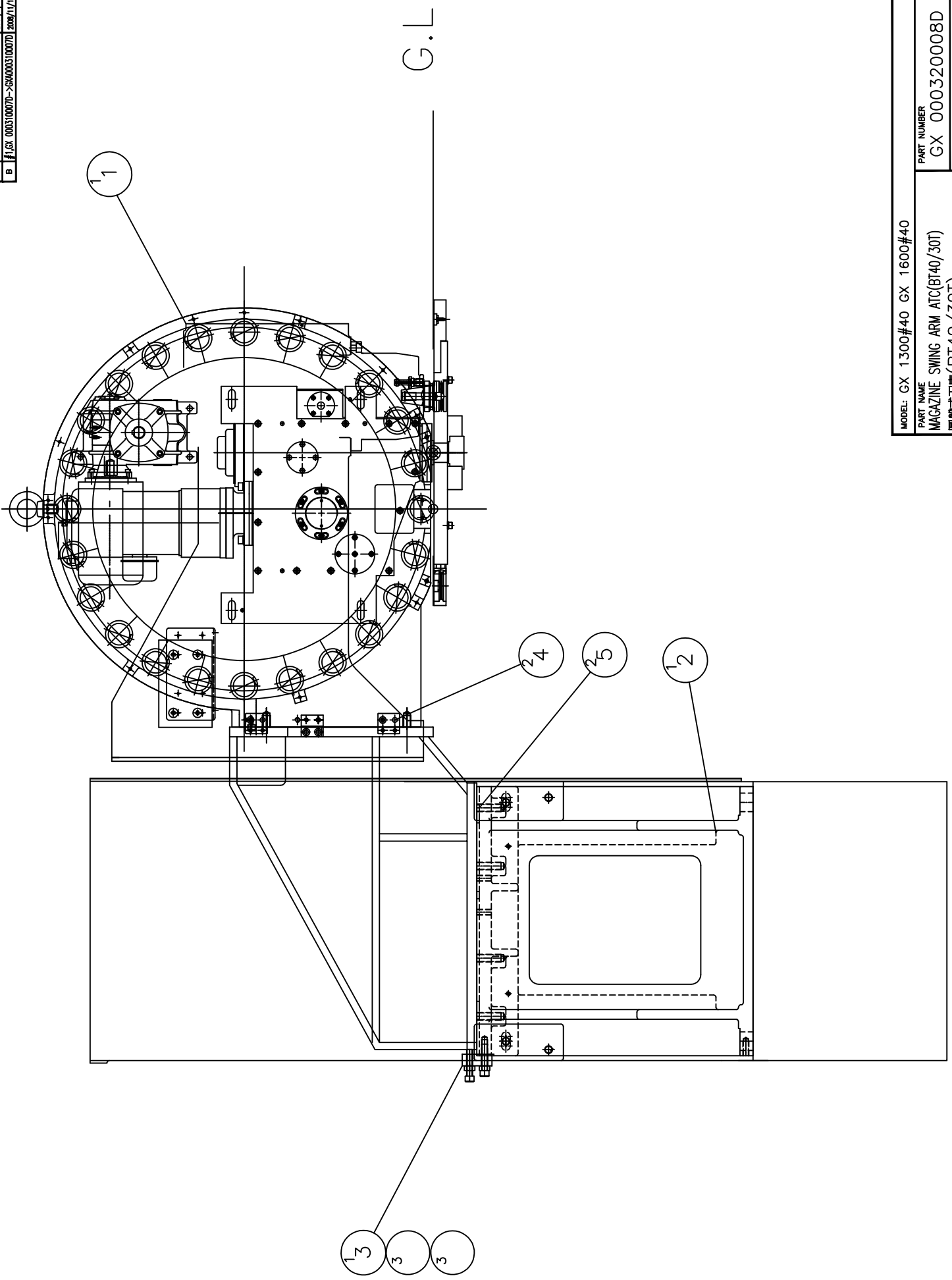
Item	Part NO.	Description	中文名稱	Specification	Qty	Unit
1.00	NV 00077030702	PRESTO ADAPTER, ELBOW	90度彎肘快速接頭	PT1/4XΦ8(JPL8-02)	2.00	EA
2.00	NV 00107790110	FILTER(5U)	過濾器(5U)	1/4 MAF300(27T0-8A)	1.00	EA
3.00	NV 00077030806	STRAIGHT, PRESTO ADAPTER	直型快速接頭	PT1/4XΦ8(JPC8-02)	1.00	EA
4.00	NV 00107790118	FILTER(0.3U)	過濾器(0.3U,附自動排水器)	3/8 MAF300LD-10AD	1.00	EA
5.00	NV 00077030271	CONNECTOR	雙外牙接頭	PT1/4"(M)XPT1/4"(M)	1.00	EA
6.00	NV 00077031203	BUSHING, BRASS	卜申接頭	PT3/8"XPT1/4"	1.00	EA
8.00	NV 00077031602	TEE ADAPTER, FEMALE&MALE	內外牙三通	PT1/4"(M)XPT1/4"(F)XPT1/4"(F)	1.00	EA
9.00	NV 00117360109	PRESSURE SWITCH	壓力開關	(PMM2A14K),0.15~2KG/CM2,PT1/4"	1.00	EA
10.00	NV 00077031701	PLUG, SOCKET HEX.	塞頭	PT1/8	1.00	EA
11.00	NV 00030480114	VALVE, PT1/4 3 WAY PNEUMATIC	氣壓電磁閥(五口三位雙線圈中閉型)	PT1/4" DC24V(MVSC-220-4E2C-24)	1.00	EA
12.00	NV 00114520101	VALVE, REDUCING	減壓閥(空壓用,不附錶與調壓)	1/4"(S200-04)	1.00	EA
13.00	NV 00070070231	TUBING,PNEUMATIC	風壓用管	PU Φ8XΦ5(MINDMAN)0.75M	1.00	EA
14.00	NV 00077031008	PRESTO ADAPTER,Y	Y型快速接頭	JPY8	1.00	EA
15.00	NV 00107790205	AUTOMATIC DRAIN WATER	自動排水器	FMRF300-AD-U	1.00	EA
16.00	NV 00077030806	STRAIGHT, PRESTO ADAPTER	直型快速接頭	PT1/4XΦ8(JPC8-02)	2.00	EA
17.00	NV 00107790205	AUTOMATIC DRAIN WATER	自動排水器	FMRF300-AD-U	2.00	EA

# Chapter 5

儲刀倉

Magazine

REV	DESCRIPTION	DATE	ECN
A	新仕様	2007/1/4	332
B	1.5X 00031007D->S040031007D	2008/11/13	1308



MODEL: GX 1300#40 GX 1600#40	
PART NAME	PART NUMBER
MAGAZINE SWING ARM ATC(BT40/30T)	GX 000320008D
圖樣式力庫(BT40/30T)	PAGE 1 OF 1
DATE 2007/1/4	REV. B
KURT GARY	SCALE 1:10

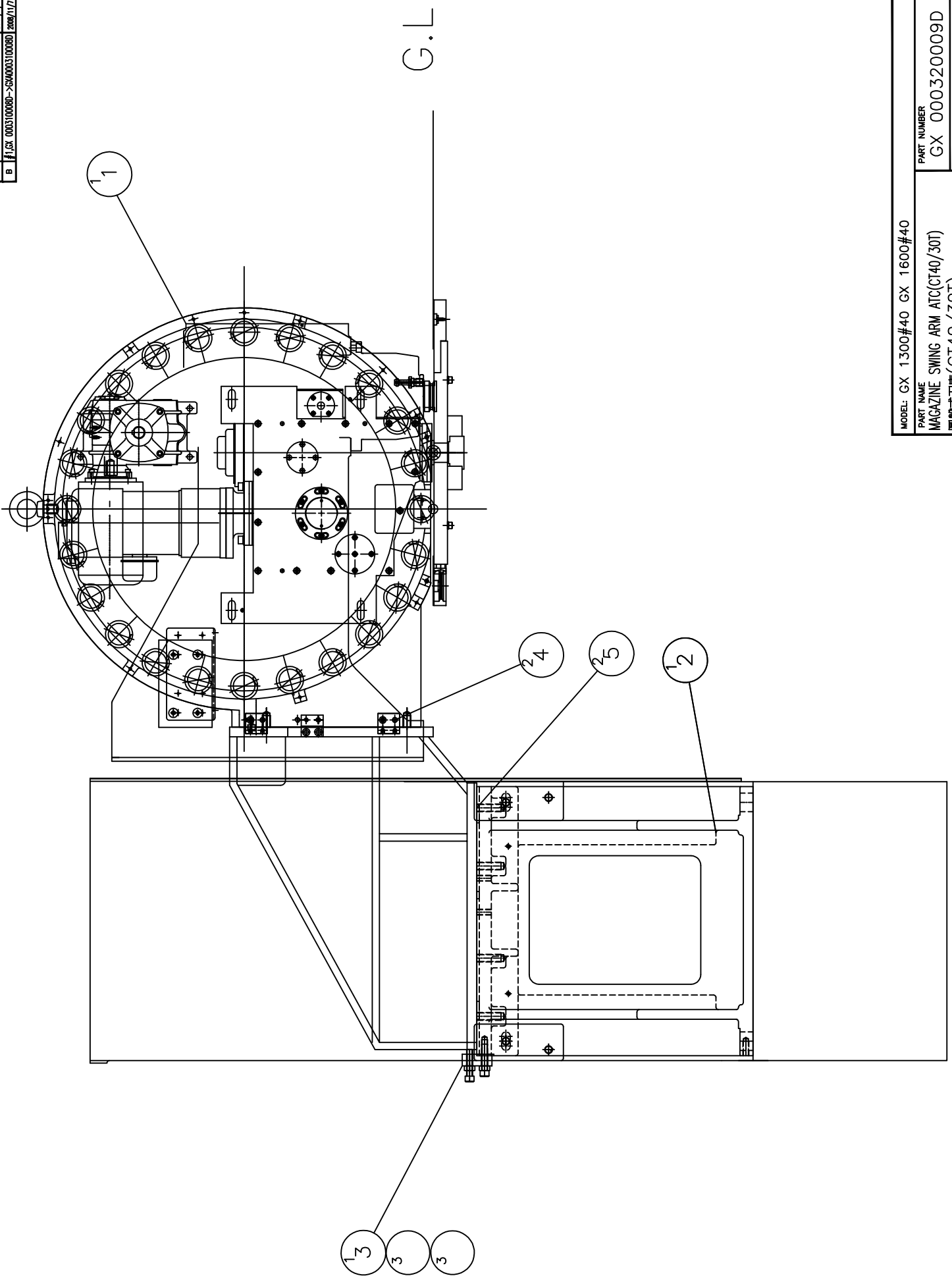
PRODUCT BOM MASTER AND SUB-ITEMS LIST  
\*\*\*\*\*

Master Item Part NO.: GX 000320008D

Description: MAGAZINE SWING ARM ATC(BT40/30)  
圓盤式刀庫(BT40/30T)

Item Part NO.	Description	中文名稱	Specification	Qty	Unit
1.02	GXA000310007D MAGAZINE SWING ARM ATC,BT40/30	圓盤式刀庫(BT40/30T)(含凸輪箱)	MR4CKHT08A05-01(W/CAM BOX)	1.00	ST
2.03	GX 001066100D ATC SEAT	ATC 固定座(570高)	L555XW570XH426	1.00	EA
3.00	GX 000199076D BLOCK,ATC BRACLET	ATC固定座調整塊	L61XW61XH16	1.00	EA
4.00	GX 000199080D BLOCK,ATC ADJUSTING	ATC調整塊	L65XW45XH42	2.00	EA
5.00	GX 00061150103 SUNK KEY	(雙圓頭鍵)平行鍵	W15XL36XH10(內孔D11XH6.5深XD7)	2.00	EA

REV	DESCRIPTION	DATE	ECN
A	新仕様	2007/1/4	332
B	1.5X 000310000D->S4400310000D	2008/1/7	1308



MODEL: GX 1300#40 GX 1600#40	
PART NAME	PART NUMBER
MAGAZINE SWING ARM ATC(CT40/30T)	GX 000320009D
圖樣式力庫(CT40/30T)	PAGE 1 OF 1
DATE 2007/1/4	REV. B
KURT GARY	SCALE 1:10

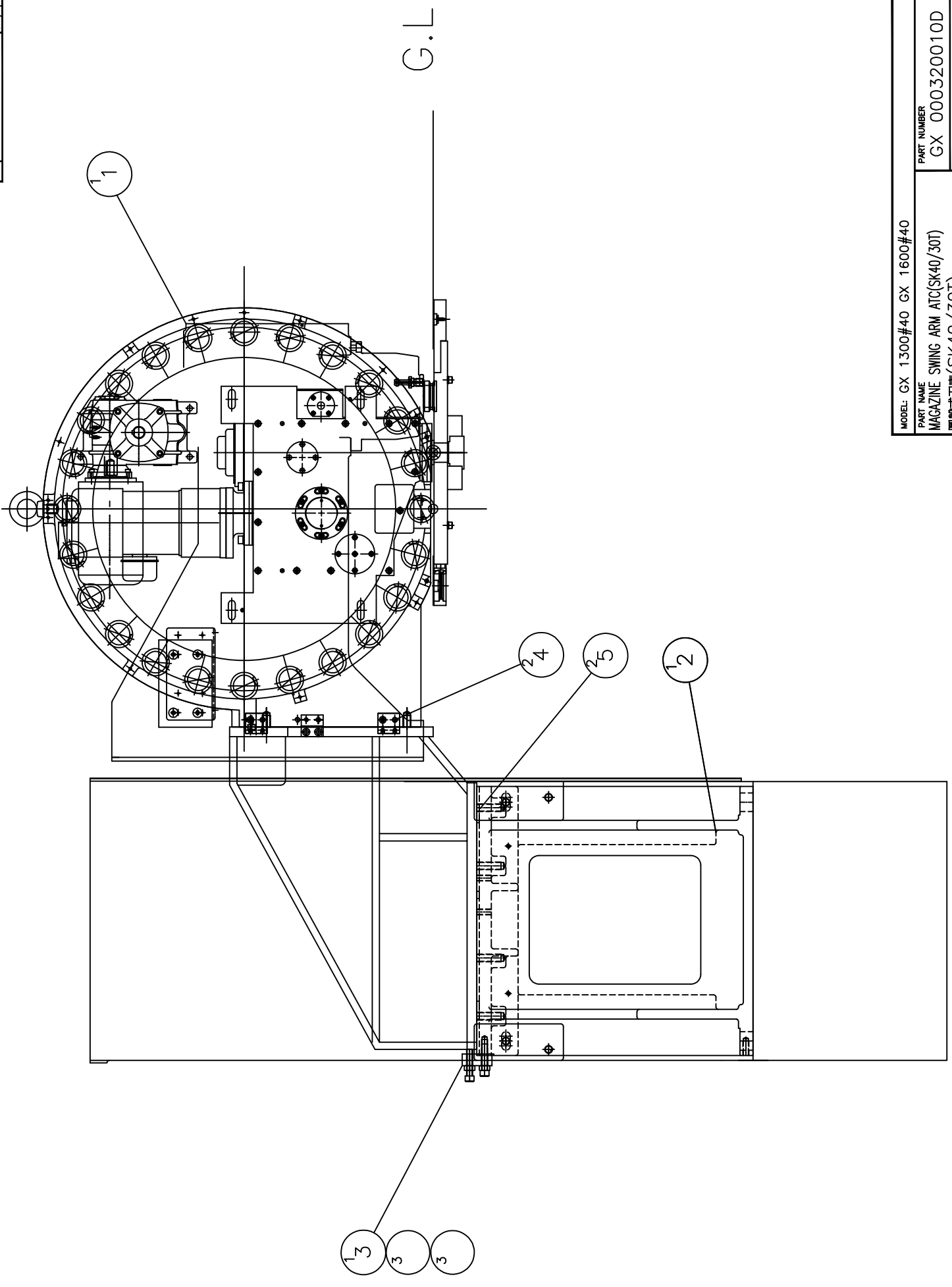
PRODUCT BOM MASTER AND SUB-ITEMS LIST  
\*\*\*\*\*

Master Item Part NO.: GX 000320009D

Description: MAGAZINE SWING ARM ATC(CT40/30  
圓盤式刀庫(CT40/30T))

Item Part NO.	Description	中文名稱	Specification	Qty	Unit
1.02	GXA000310008D MAGAZINE SWING ARM ATC,CT40/30	圓盤式刀庫(CT ANSI 40/30T)(含凸輪箱)	MR4CKHT08A05-02(W/CAM BOX)	1.00	ST
2.03	GX 001066100D ATC SEAT	ATC 固定座(570高)	L555XW570XH426	1.00	EA
3.00	GX 000199076D BLOCK,ATC BRACLET	ATC固定座調整塊	L61XW61XH16	1.00	EA
4.00	GX 000199080D BLOCK,ATC ADJUSTING	ATC調整塊	L65XW45XH42	2.00	EA
5.00	GX 00061150103 SUNK KEY	(雙圓頭鍵)平行鍵	W15XL36XH10(內孔D11XH6.5深XD7)	2.00	EA

REV	DESCRIPTION	DATE	ECN
A	新仕様	2008/11/1	1308



MODEL: GX 1300#40 GX 1600#40		SCALE: 1:10
PART NAME: MAGAZINE SWING ARM ATC(SK40/30T) 圓盤式刀庫(SK40/30T)		REV: A
PART NUMBER: GX 000320010D	PAGE: 1 OF 1	
DATE: 2008/11/1	AUSTIN, TEXAS	

PRODUCT BOM MASTER AND SUB-ITEMS LIST  
\*\*\*\*\*

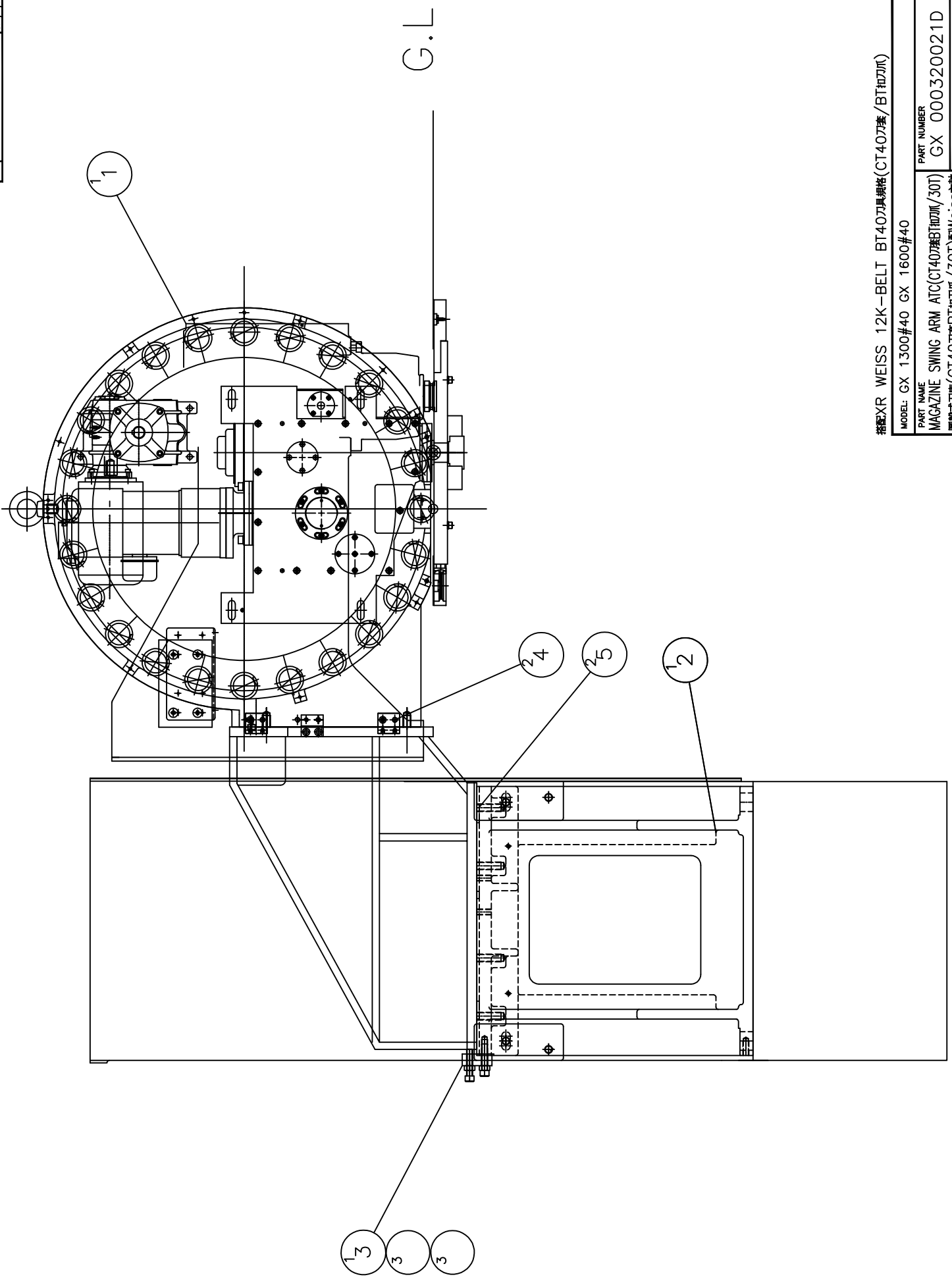
Master Item Part NO.: GX 000320010D

Description: MAGAZINE SWING ARM ATC(SK40/30)  
圓盤式刀庫(SK40/30T)

Item Part NO.	Description	中文名稱	Specification	Qty	Unit
1.01	GX 000310009D MAGAZINE SWING ARM ATC,SK40/30	圓盤式刀庫(SK40/30T)(含凸輪箱)	MR4CKHT08A05-03(W/CAM BOX)	1.00	ST
2.03	GX 001066100D ATC SEAT	ATC 固定座(570高)	L555XW570XH426	1.00	EA
3.00	GX 000199076D BLOCK,ATC BRACKET	ATC固定座調整塊	L61XW61XH16	1.00	EA
4.00	GX 000199080D BLOCK,ATC ADJUSTING	ATC調整塊	L65XW45XH42	2.00	EA
5.00	GX 00061150103 SUNK KEY	(雙圓頭鍵)平行鍵	W15XL36XH10(內孔D11XH6.5深XD7)	2.00	EA



REV	DESCRIPTION	DATE	ECN
A	新打機殼	2010/11/3	234C



機殼XR WEISS 12K-BELT BT40刀具規格(CT40刀套/BT扣爪)

MODEL: GX 1300#40 GX 1600#40	PART NUMBER
PART NAME	GX 000320021D
MAGAZINE SWING ARM ATC(CT40刀套BT扣爪/30T)	PAGE 1 OF 1
圓盤式刀庫(CT40刀套BT扣爪/30T)用Weiss主軸	REV. A
DATE 2010/11/3	SCALE 1:10
SHERY	KLN

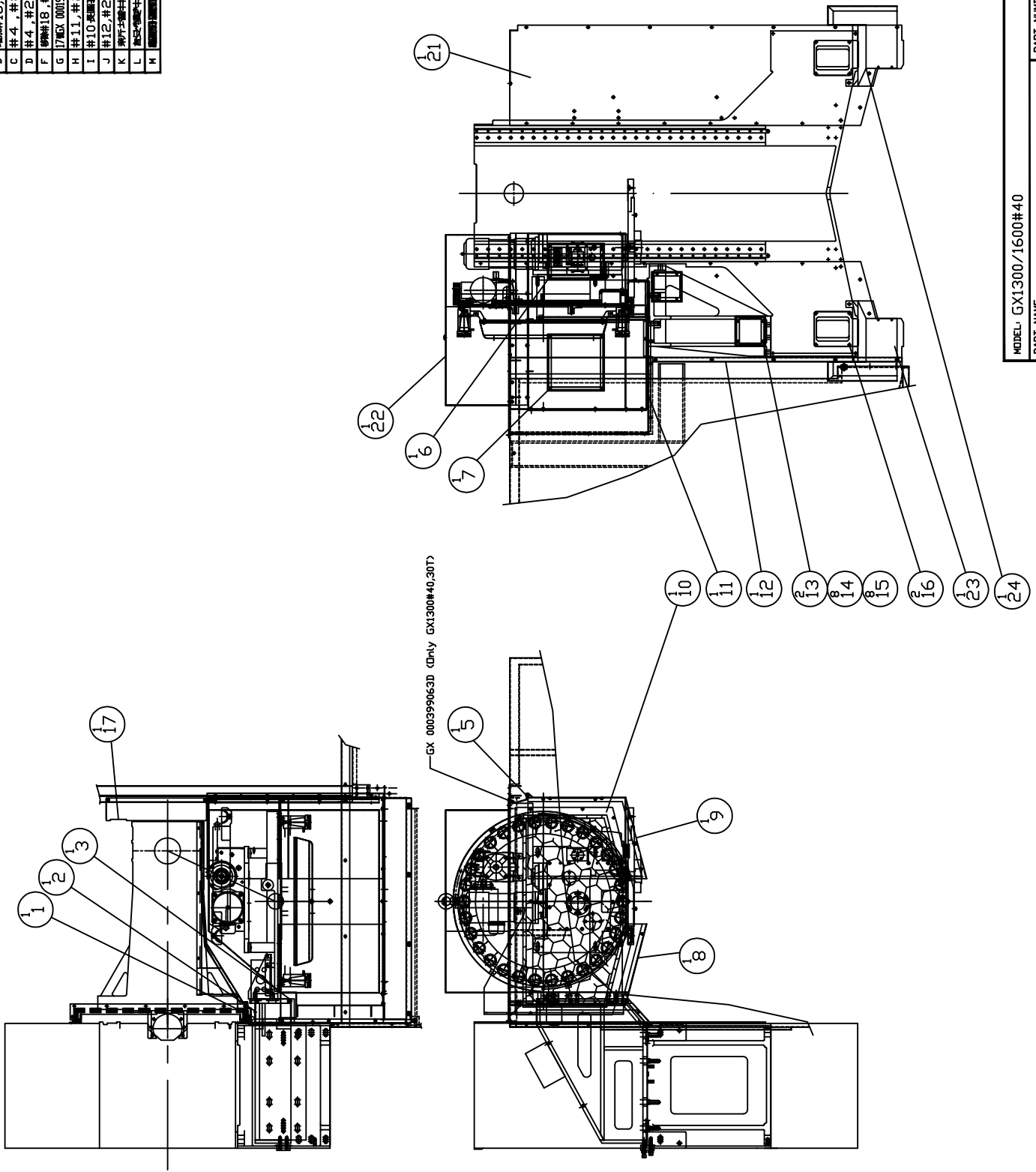
PRODUCT BOM MASTER AND SUB-ITEMS LIST  
\*\*\*\*\*

Master Item Part NO.: GX 000320021D

Description: MAGAZINE SWING ARM ATC(BT40/30  
圓盤式刀庫(CT40刀套BT扣刀爪/30T)

Item	Part NO.	Description	中文名稱	Specification	Qty	Unit
1.00	GX 000310015D	MAGAZINE SWING ARM ATC,CT40/30	圓盤式刀庫(CT40刀套BT扣刀爪/30T)(含凸輪箱MR4CKHT08A06-04(W/CAM BOX)WEIS		1.00	ST
2.00	GX 001066100D	ATC SEAT	ATC 固定座(570高)	L555XW570XH426	1.00	EA
3.00	GX 000199076D	BLOCK,ATC BRACLET	ATC固定座調整塊	L61XW61XH16	1.00	EA
4.00	GX 000199080D	BLOCK,ATC ADJUSTING	ATC調整塊	L65XW45XH42	2.00	EA
5.00	GX 00061150103	SUNK KEY	(雙圓頭鍵)平行鍵	W15XL36XH10(內孔D11XH6.5深XD7)	2.00	EA

REV	DESCRIPTION	DATE	ECN
A	初版	2007/7/20	668
B	增加#18, #19, #20	2007/04/17	780
C	#4, #8, #19尺寸变更	2007/06/28	782
D	#4, #20, #19尺寸变更	2007/06/28	882
F	增加#18, #19, #20, 增加#22	2008/07/20	1027
G	增加#18, #19, #20, 增加#22	2008/07/20	1129
H	#11, #21 新增尺寸	2008/07/24	1116
I	#12, #21Y 新增尺寸	2008/07/24	1116
J	#10 新增尺寸	2008/07/24	1370
K	增加#23, #24	2008/07/24	1391
L	增加#12, #21	2008/07/24	1511
M	增加#17	2009/03/09	1726



MODEL: GX1300/1600#40	PART NUMBER: GX 000320012D
PART NAME: COVER FOR MAGAZINE(DISC #40/30T)	PAGE: 1 OF 1
刀倉護蓋(圓盤式#40/30T)	REV: M
DATE: 2007/7/30	SCALE: 1:28
SHERRY CHEN	

\*\*\*\*\*  
**PRODUCT BOM MASTER AND SUB-ITEMS LIST**  
 \*\*\*\*\*

Master Item Part NO.: GX 000320012D

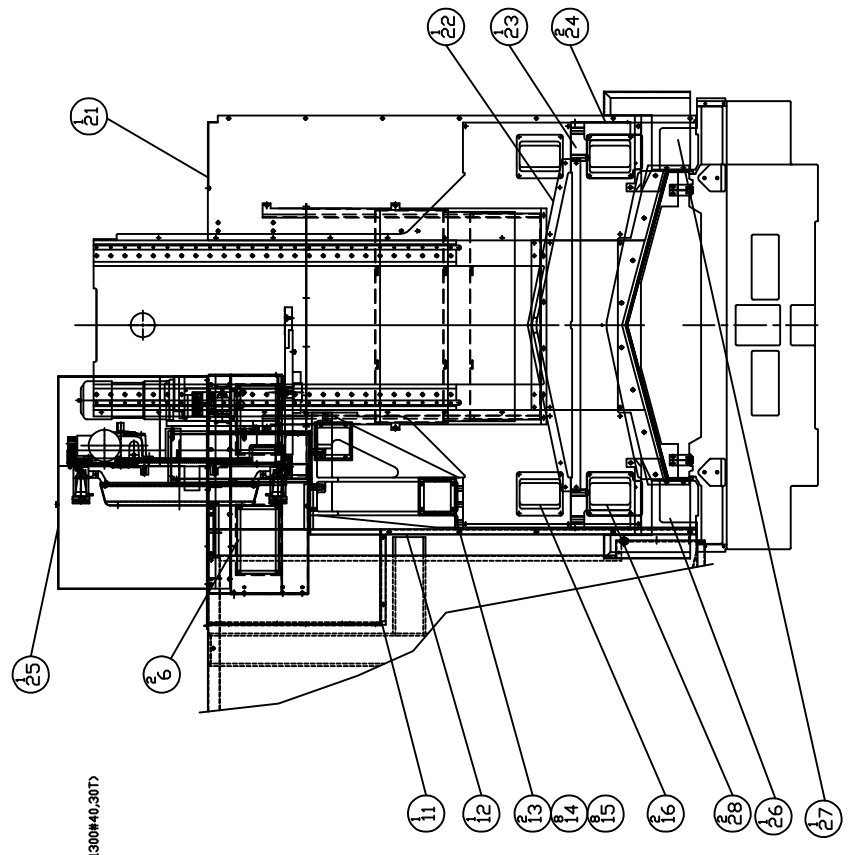
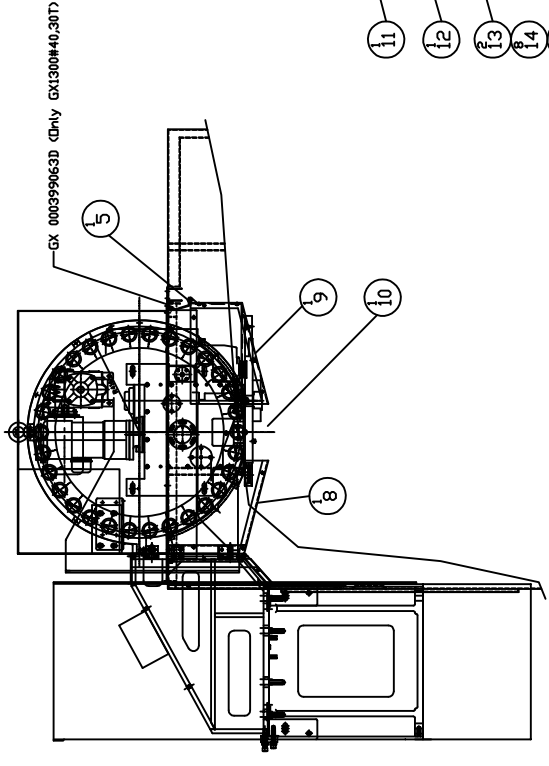
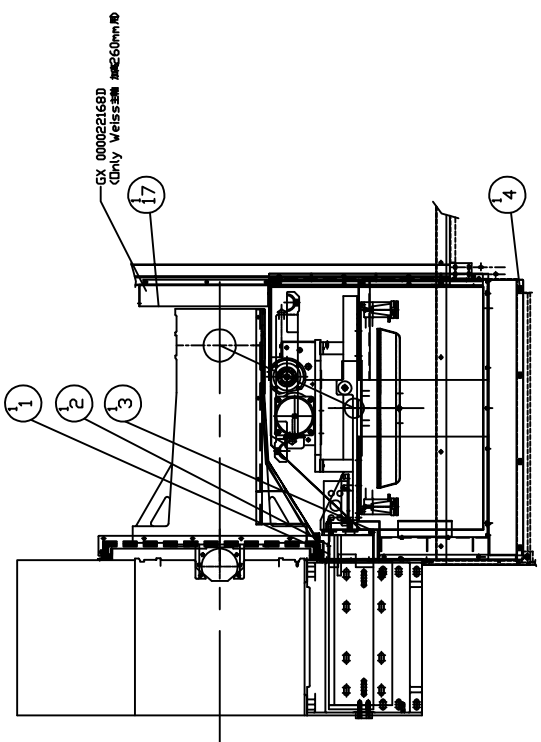
Description: COVER FOR MAGAZINE(#40/30T)  
刀倉護蓋(圓盤式#40/30T)

Item	Part NO.	Description	中文名稱	Specification	Qty	Unit
1.00	GX 000199072D	ATC PLATE(BOTTOM)	刀倉擋板(下)	L164XW110.3XH100	1.00	EA
2.03	GX 000199071D	ATC PLATE(REAR)	刀倉擋板(後)	L532XW192XH110.3	1.00	EA
3.00	GX 000199070D	ATC PLATE(FRONT)	刀倉擋板(前)	L520X110.3XH15	1.00	EA
4.02	GX 000199067D	FIXED PLATE, MAGAZINE	固定板(刀庫護蓋,30支刀)	L997XW151.7XH109	1.00	EA
5.02	GX 000199050D	FIXED PLATE,MAGAZINE	固定座	L792.2XW82XH64.6	1.00	EA
6.00	NV 000599030A	COVER, INSPECTION	凸輪箱檢視護板	L250.5XW153.4XH2	1.00	EA
7.00	NV 001044920A	WINDOW, MAGAZINE	壓克力板(換刀臂ATC,刀庫護蓋)	L250.5XW250.5XT2	1.00	EA
8.03	GX 000199065D	COVER, MAGAZINE	刀庫護蓋(德大MR4CK,30支刀,Φ76,Φ200)	L461.2XW455.3XH634.4	1.00	EA
9.01	GX 000199064D	COVER, MAGAZINE	刀庫護蓋(德大MR4CK,30支刀,Φ76,Φ200)	L792.2XW393.5XH547.8	1.00	EA
10.05	GXA000199066D	SCREEN, MAGAZINE	刀庫護蓋護網(德大MR4CK,30支刀,Φ76)	955.6XW545.4XH4.6	1.00	EA
11.02	GX 000022110D	REAR PLATE,LEFT(UPPER)	左後擋板(上)(#40-30T)	L793.4XW649.7XH38	1.00	EA
12.05	GXA00022111D	REAR PLATE,LEFT(LOWER)	左後擋板(下)(#40-30T)	L1399.5XW462XH4.6	1.00	EA
13.00	GX 000199061D	COVER,REAR PLATE	後擋板蓋	L128XW128XT2.3	2.00	EA
14.00	MW 0183510	SPRING WASHER	彈簧墊圈	M5(HEAT TREATMENT)	8.00	EA
15.00	MS 0103515	SOCKET HEAD CAP SCREW	六角穴圓頭螺絲	M5XP0.8XL10	8.00	EA
16.01	GXA000199073D	COVER,REAR PLATE	後擋板蓋	L203.5XW160XT2.3	2.00	EA
17.01	GXA000199077D	PLATE	擋板	L465XW103.4XH84	1.00	EA
21.05	GXA000022109D	REAR PLATE,RIGHT	右後擋板	L1822XW462XH20	1.00	EA
22.00	GX 000399092D	TOP COVER, MAGAZINE	刀倉上蓋		1.00	EA
23.00	GXA000399094D	FLUSHING , COVER(ZLEFT)	沖屑護蓋(左)	L318.6XW368.4XH42	1.00	EA

PRODUCT BOM MASTER AND SUB-ITEMS LIST  
\*\*\*\*\*

Item	Part NO.	Description	中文名稱	Specification	Qty	Unit
24.00	GXA000399095D	FLUSHING ,COVER(RIGHT)	沖屑護蓋(右)	L318.6XW368.4XH42	1.00	EA

REV	DESCRIPTION	DATE	ECN
A	初版	2007/10/22	B67
B	材料#18,19,20を材料#25に変更	2008/1/31	1027
C	17をGX 000199077-GX 00022140に変更	2008/2/19	0061
D	25を材料#25に変更	2008/2/26	1057
E	材料#25を材料#26に変更	2008/8/12	1419
F	材料#26を材料#27に変更	2008/8/22	1951
G	材料#27を材料#28に変更	2008/10/21	1611
H	材料#28を材料#29に変更	2009/3/9	1726
I	#16-GX 000199105に変更	2012/5/3	1003016



MODEL: GX1300/1600#40
PART NAME COVER FOR MACHINE(CISC #40/30T) AXIS HEIGHT ADDITIONAL 260mm 刀倉蓋板(圓盤式#40/30T)立柱加高260mm
PART NUMBER GX 000320014D
PAGE 1 OF 1
REV. I
DATE 2007/10/24
SCALE 1:30

# PRODUCT BOM MASTER AND SUB-ITEMS LIST

\*\*\*\*\*

Master Item Part NO.: GX 000320014D

Description: COVER FOR MAGAZINE(#40/30T)  
刀倉護蓋(圓盤式#40/30T)立柱加高260MM

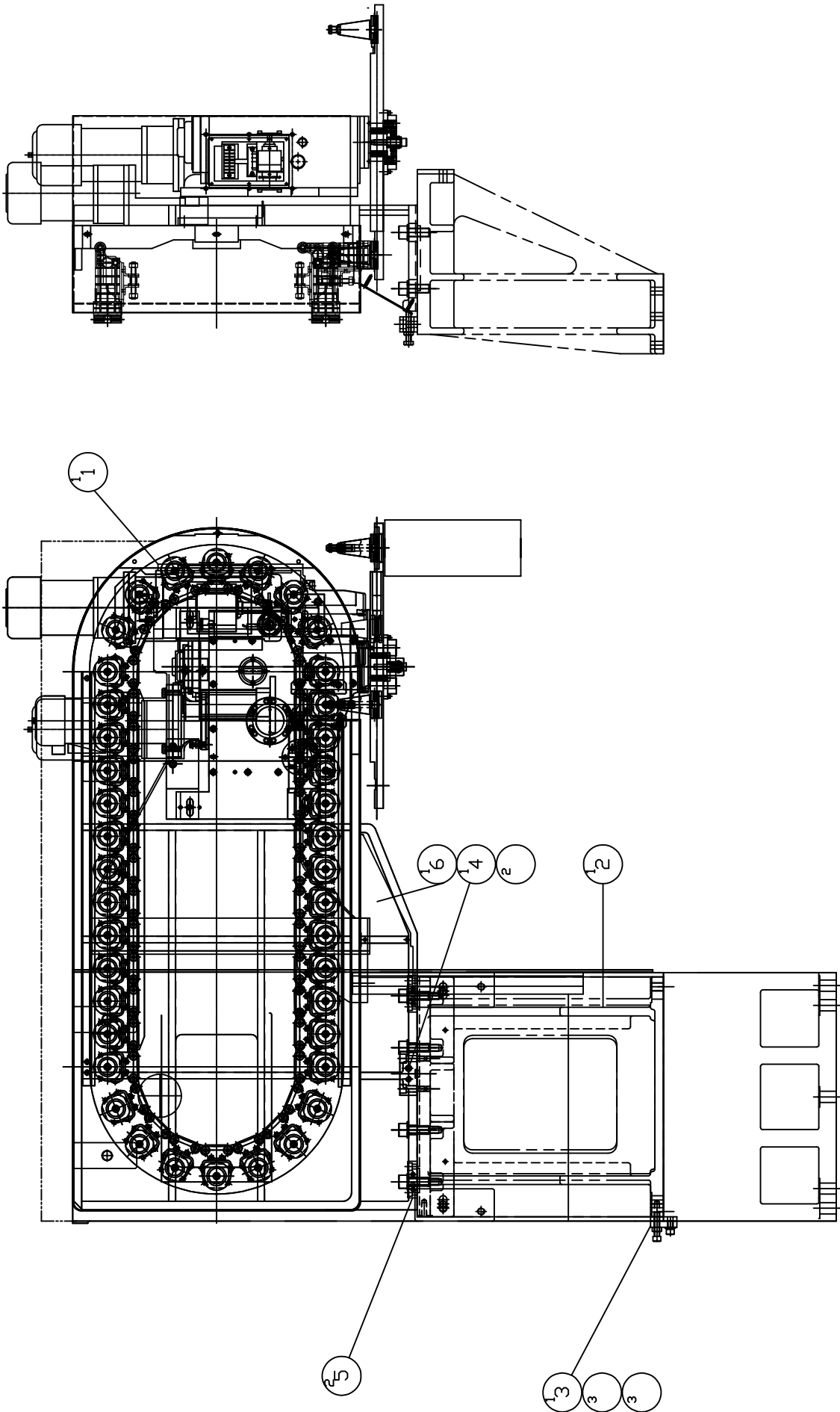
Item	Part NO.	Description	中文名稱	Specification	Qty	Unit
1.00	GX 000199072D	ATC PLATE(BOTTOM)	刀倉擋板(下)	L164XW110.3XH100	1.00	EA
2.03	GX 000199071D	ATC PLATE(REAR)	刀倉擋板(後)	L532XW192XH110.3	1.00	EA
3.00	GX 000199070D	ATC PLATE(FRONT)	刀倉擋板(前)	L520X110.3XH15	1.00	EA
4.00	GX 000199067D	FIXED PLATE, MAGAZINE	固定板(刀庫護蓋,30支刀)	L997XW151.7XH109	1.00	EA
5.00	GX 000199050D	FIXED PLATE,MAGAZINE	固定座	L792.2XW82XH64.6	1.00	EA
6.00	NV 000599030A	COVER, INSPECTION	凸輪箱檢視護板	L250.5XW153.4XH2	2.00	EA
8.01	GX 000399077D	COVER, MAGAZINE(#40,30T,260MM)	刀庫護蓋(#40,30T,立柱加高260MM)	L374.8XW461.2XH374.4	1.00	ST
9.00	GX 000399076D	COVER, MAGAZINE(#40,30T,260MM)	刀庫護蓋(#40,30T,立柱加高260MM)	L393.5XW792.2XH287.8	1.00	ST
10.00	GX 000399080D	SCREEN,MAGAZINE(#40,30T,260MM)	刀庫護蓋護網(#40,30T,立柱加高260MM)	L955.6XW285.4XH4.3	1.00	ST
11.01	GX 000022119D	REAR PLATE,LEFT(UPPER)	左後擋板(上)(#40,30T,立柱加高260MM)	L528.7XW38XH649.7	1.00	ST
12.05	GXA000022118D	REAR PLATE,LEFT(LOWER)#40,30T	左後擋板(下)(#40,30T,立柱加高260MM)	L1819XW462XH6.3	1.00	EA
13.00	GX 000199061D	COVER,REAR PLATE	後擋板蓋	L128XW128XT2.3	2.00	EA
14.00	MW 0183510	SPRING WASHER	彈簧墊圈	M5(HEAT TREATMENT)	8.00	EA
15.00	MS 0103515	SOCKET HEAD CAP SCREW	六角穴圓頭螺絲	M5XP0.8XL10	8.00	EA
16.00	GX 000199105D	COVER,REAR PLATE	後擋板蓋	L170XW160XT2.3	2.00	EA
17.01	GX 000022130D	TOP COVER (COLUMN ADD 260MM)	上護蓋(立柱墊高260MM專用)	L480.3XW98.5XH88	1.00	EA
21.06	GXA000022120D	REAR PLATE,RIGHT	右後擋板(立柱加高260MM)	L1822XW462XH20	1.00	EA
22.01	GX 000399012D	COVER, COLUMN SIDE	立柱墊高蓋板260MM	L1230XW195.3XT2.3	1.00	EA
23.02	GX 001066165D	SPACER, COLUMN	立柱加高墊塊(加高260MM)	L1500XW575XH260	1.00	EA
24.01	GX 000399021D	SIDE COVER(SPACER2600MM)	立柱側蓋(加高260MM)	L569XW219XT2.3	2.00	EA

PRODUCT BOM MASTER AND SUB-ITEMS LIST  
\*\*\*\*\*

Item	Part NO.	Description	中文名稱	Specification	Qty	Unit
25.02	GX 000399093D	TOP COVER, MAGAZINE(30T,260MM)	刀倉上蓋(#40,30T,立柱加高260MM)		1.00	ST
26.00	GXA000399094D	FLUSHING , COVER(ZLEFT)	沖屑護蓋(左)	L318.6XW368.4XH42	1.00	EA
27.00	GXA000399095D	FLUSHING , COVER(RIGHT)	沖屑護蓋(右)	L318.6XW368.4XH42	1.00	EA
28.00	GXA000199073D	COVER,REAR PLATE	後擋板蓋	L203.5XW160XT2.3	2.00	EA



REV	DESCRIPTION	DATE	ECN
A	新機種	2006/9/22	178
B	機種#5-GX 000395060D	2007/9/22	743
C	#1-GA00031000D->GX00031000D	2004/4/23	100360
D	機種#6 GX 001021527D	2004/4/23	100360



MODEL: GX 1300#40/1600#40	
PART NAME	PART NUMBER
LINKAGE OF COLUMN AND ATCLEFTSWING ARM A1C	GX 000320001D
金型式番号 B T 40-40 T	PAGE 1 OF 1
DATE 2006/9/22	REV. C
SCALE 1:1.4	

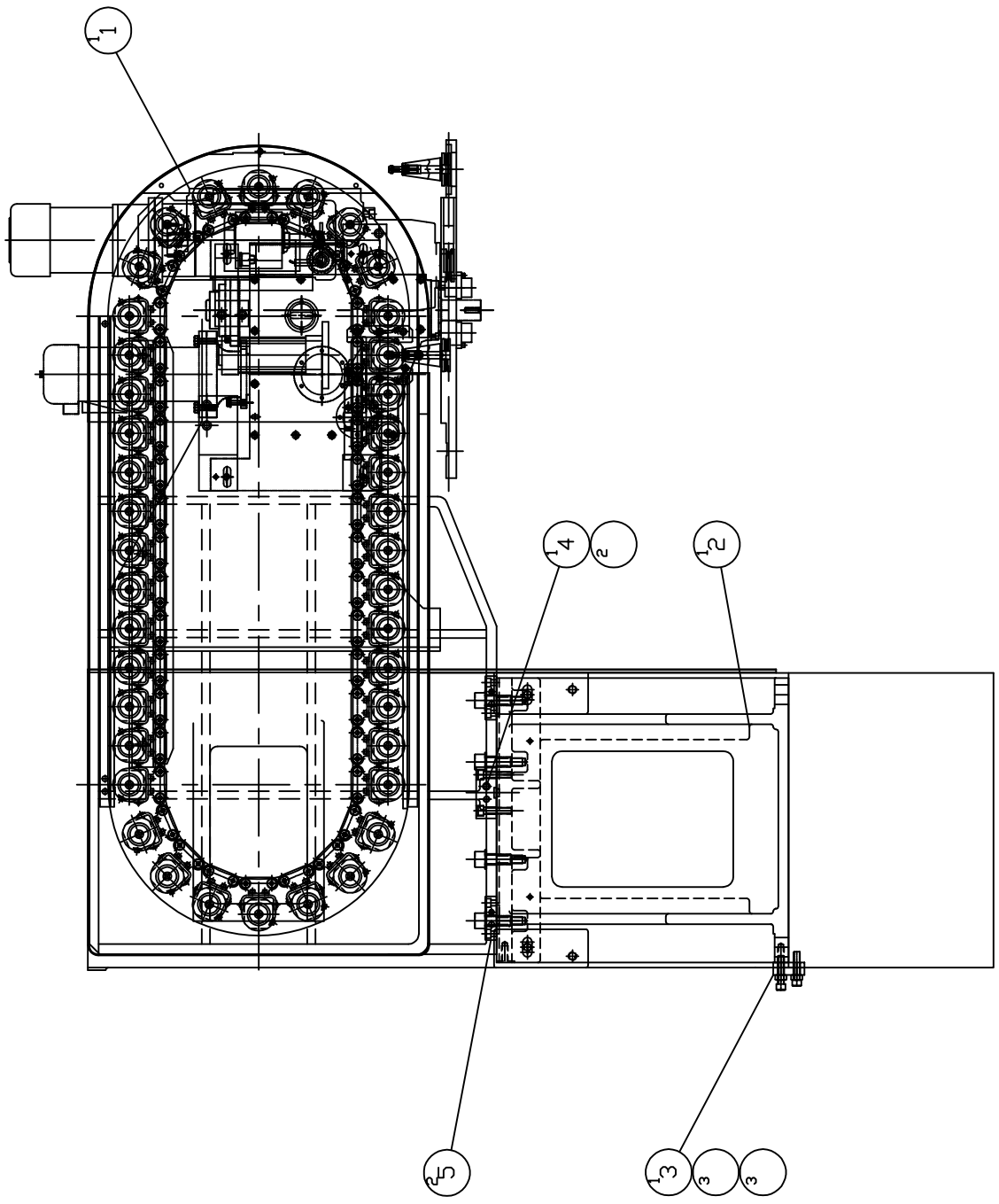
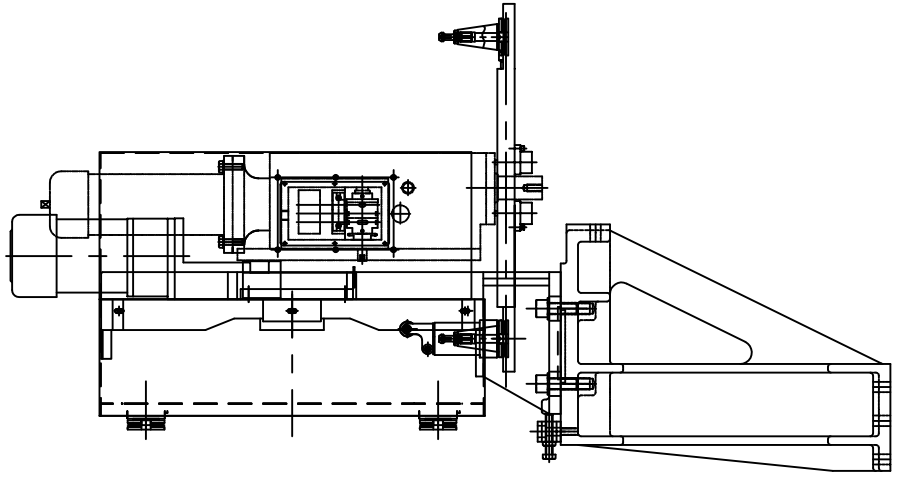
PRODUCT BOM MASTER AND SUB-ITEMS LIST  
\*\*\*\*\*

Master Item Part NO.: GX 000320001D

Description: MAGAZINE SWING ARM ATC(BT40/40)  
鏈式刀庫(BT40/40T)

Item	Part NO.	Description	中文名稱	Specification	Qty	Unit
1.06	GXB000310001D	SWING ARM ATC(BT40/40T)	鏈式刀庫(BT40/40T)	無煞車馬達+原點(塑鋼刀套)GIFUJ-C4003-040CV-02	1.00	EA
2.05	GX 001066100D	ATC SEAT	ATC 固定座(570高)	L555XW570XH426	1.00	EA
3.00	GX 000199076D	BLOCK,ATC BRACKET	ATC固定座調整塊	L61XW61XH16	1.00	ST
4.00	GX 000399056D	BLOCK,ATC BRACKET	ATC固定座調整塊	L100XW35XH40	1.00	EA
5.00	GX 000399060D	BLOCK,ATC	ATC調整塊	L85XW30XH22	2.00	ST
6.00	GX 001021527D	COVER, SWING ARM ATC	刀庫蓋前蓋板	L344XW130XH92.7	1.00	ST

REV	DESCRIPTION	DATE	ECN
A	DRAWING	2006/9/22	178
B	修正	2007/8/22	743
C	修正	2007/8/22	100360



MODEL: GX 1300#40/1600#40	
PART NAME	PART NUMBER
LINKAGE OF COLUMN AND ATCLEFTYSWING ARM A1C	GX 000320003D
金型式番号	PAGE
C T 40-40 T	1 OF 1
DATE 2006/9/22	REV. C
SCALE 1:14	

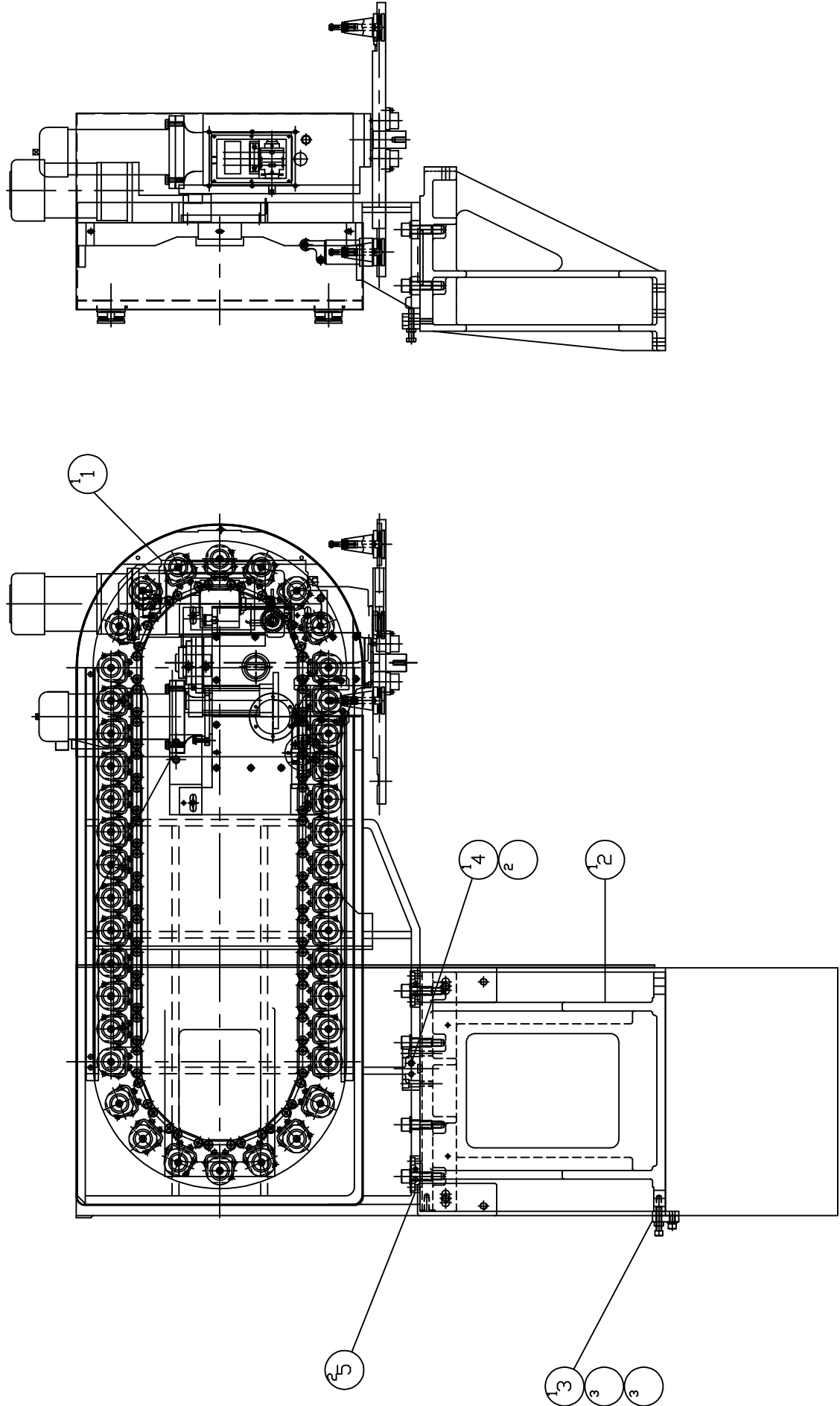
PRODUCT BOM MASTER AND SUB-ITEMS LIST  
\*\*\*\*\*

Master Item Part NO.: GX 000320003D

Description: MAGAZINE SWING ARM ATC(CT40/40)  
鏈式刀庫(CT40/40T)

Item	Part NO.	Description	中文名稱	Specification	Qty	Unit
1.06	GXB000310003D	SWING ARM ATC(CT40/40T)	鏈式刀庫(CT40/40T)	無煞車馬達+原點(塑鋼刀套) GIFUJ-CV1040-040HD001-02	1.00	EA
2.05	GX 001066100D	ATC SEAT	ATC 固定座(570高)	L555XW570XH426	1.00	EA
3.00	GX 000199076D	BLOCK,ATC BRACKET	ATC固定座調整塊	L61XW61XH16	1.00	ST
4.00	GX 000399056D	BLOCK,ATC BRACKET	ATC固定座調整塊	L100XW35XH40	1.00	EA
5.00	GX 000399060D	BLOCK,ATC	ATC調整塊	L85XW30XH22	2.00	ST

REV	DESCRIPTION	DATE	ECN
A	新機種	2008/11/1	1308
B	#1-G1A0031006D-2(CB0031006C) #M4/23100360		



MODEL: GX 1300#40/1600#40	
PART NAME	PART NUMBER
LINKAGE OF COLUMN AND ATCLEFTYSWING ARM ATC	GX 000320011D
金庫式カマキリ SK40-40T	PAGE 1 OF 1
DATE 2008/08/1	REV. B
AUSTIN	SCALE 1:14

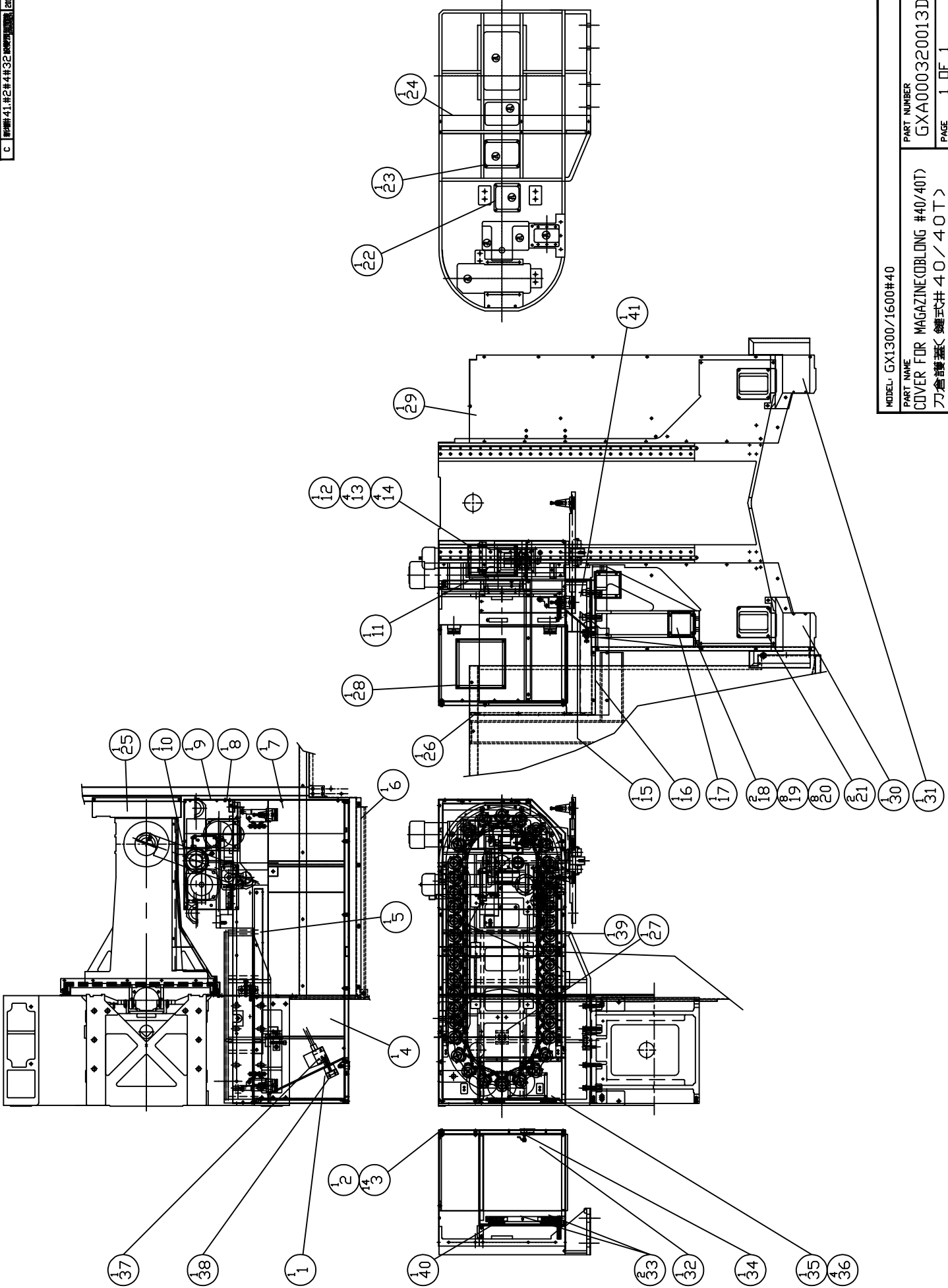
PRODUCT BOM MASTER AND SUB-ITEMS LIST  
\*\*\*\*\*

Master Item Part NO.: GX 000320011D

Description: MAGAZINE SWING ARM ATC(SK40/40)  
鏈式刀庫(SK40/40T)

Item	Part NO.	Description	中文名稱	Specification	Qty	Unit
1.04	GXB000310006D	SWING ARM ATC(SK40/40T)	鏈式刀庫(SK40/40T)	無煞車馬達+原點(塑鋼刀套)GIFUJ-C4003-040CV10-02	1.00	EA
2.05	GX 001066100D	ATC SEAT	ATC 固定座(570高)	L555XW570XH426	1.00	EA
3.00	GX 000199076D	BLOCK,ATC BRACKET	ATC固定座調整塊	L61XW61XH16	1.00	ST
4.00	GX 000399056D	BLOCK,ATC BRACKET	ATC固定座調整塊	L100XW35XH40	1.00	EA
5.00	GX 000399060D	BLOCK,ATC	ATC調整塊	L85XW30XH22	2.00	ST

REV	DESCRIPTION	DATE	ECN
A	初版	2013/11/28	1003516
B	改訂	2014/5/16	1003608
C	改訂	2014/7/28	1003666



MODEL: GX1300/1600#40	PART NUMBER	REV. C
COVER FOR MAGAZINE<DBLONG #40/40T>	GXA000320013D	
刀倉蓋基<鍵式#40/40T>	PAGE 1 OF 1	
DATE 2013/11/28	SCALE 1:28	

# PRODUCT BOM MASTER AND SUB-ITEMS LIST

\*\*\*\*\*

Master Item Part NO.: GXA000320013D

Description: COVER FOR MAGAZINE(#40/40T)

刀倉護蓋(鏈式#40/40T)

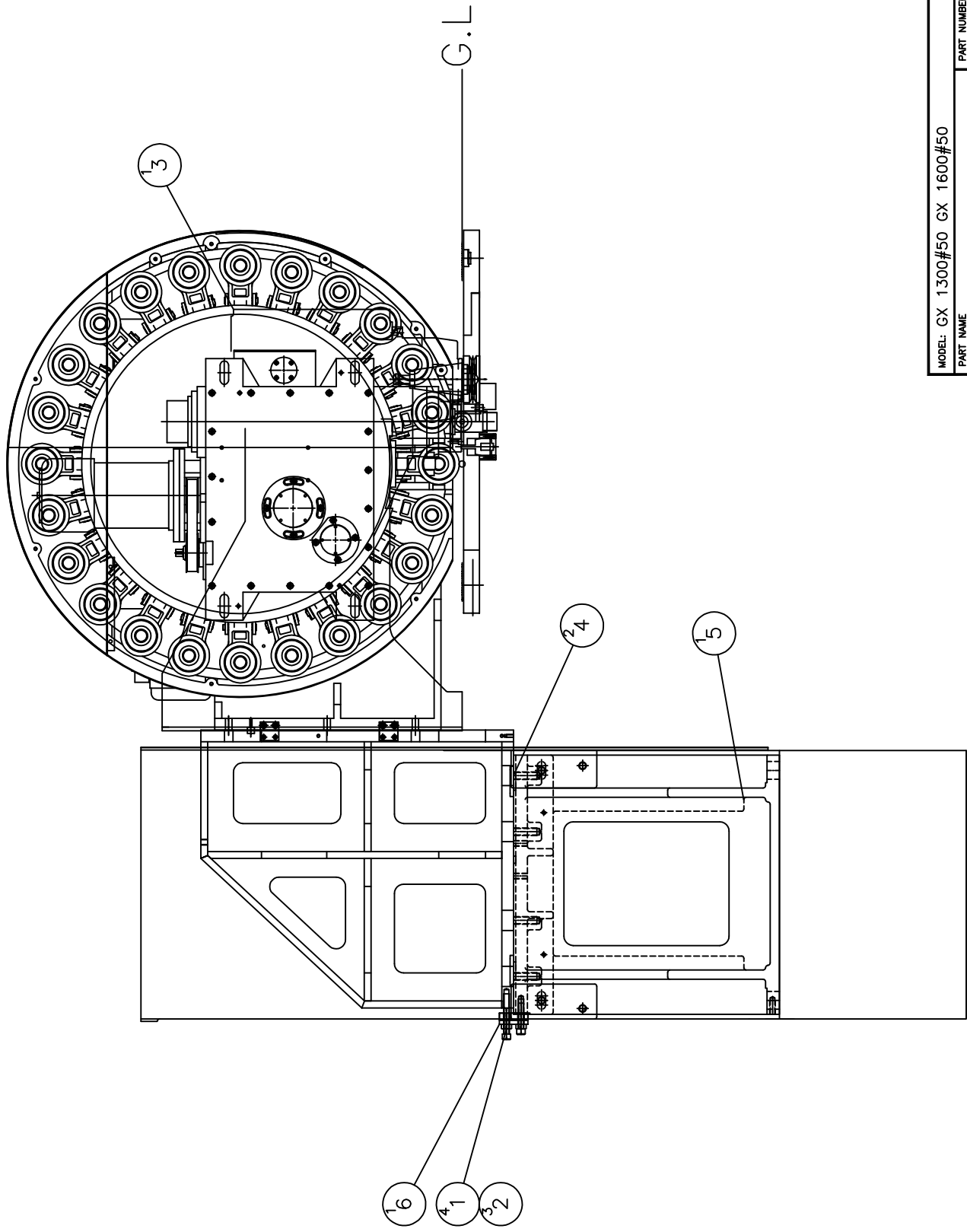
Item	Part NO.	Description	中文名稱	Specification	Qty	Unit
1.02	GXB001021520D	COVER, SWING ARM ATC	防護罩	L1125.2XW586XH216.5	1.00	EA
2.02	GXB001011619D	COVER, SWING ATC	防護網罩	L1594XW665.2XH23	1.00	EA
3.00	MS 0103616	SOCKET HEAD CAP SCREW	六角穴圓頭螺絲	M6XP1.0XL12	14.00	EA
4.03	GXB001011622D	COVER, SWING ARM ATC	刀倉防護罩	L1594XW615XH480.6	1.00	EA
5.00	GX 001021522D	PLATE, LOWER	下蓋板	L865XW45XH40	1.00	ST
6.00	GX 000399048D	COVER, SWING ARM ATC	固定板(#40/40刀)	L1056XW60.5XH2.3	1.00	ST
7.00	GX 001021521D	COVER, SWING ATC	防護罩	L841XW368.8XW238.5	1.00	ST
8.00	GX 001021516D	BRACKET, SWING ARM ATC	外罩固定板	L457.5XW49XH52.6	1.00	ST
9.00	GX 001021513D	COVER, SWING ARM ATC	刀倉外罩	L577XW286.6XH663.6	1.00	ST
10.00	GX 001021515D	PLATE, LOWER	下蓋板	L255.7XW255XT1.6	1.00	ST
11.00	GX 000022115D	REAR PLATE, LEFT (UPPER)	左後擋板(上)(#40-40T)	L442.5XW83.5XH20	1.00	ST
12.00	NV 000599030A	COVER, INSPECTION	凸輪箱檢視護板	L250.5XW153.4XH2	1.00	EA
13.00	MS 0103616	SOCKET HEAD CAP SCREW	六角穴圓頭螺絲	M6XP1.0XL12	4.00	EA
14.00	MW 0183610	SPRING WASHER	彈簧墊圈	M6(HEAT TREATMENT)	4.00	EA
15.00	GX 001021527D	COVER, SWING ARM ATC	刀庫蓋前蓋板	L344XW130XH92.7	1.00	ST
16.01	GX 000399046D	COVER, REAR PLATE	後擋板蓋		1.00	ST
17.00	GXA00022116D	REAR PLATE, LEFT (LOWER)	左後擋板(下)(#40-40T)	L1399.5XW462XH2.3	1.00	EA
18.00	GX 000199061D	COVER, REAR PLATE	後擋板蓋	L128XW128XT2.3	2.00	EA
19.00	MW 0183510	SPRING WASHER	彈簧墊圈	M5(HEAT TREATMENT)	8.00	EA
20.00	MS 0103515	SOCKET HEAD CAP SCREW	六角穴圓頭螺絲	M5XP0.8XL10	8.00	EA



\*\*\*\*\*  
**PRODUCT BOM MASTER AND SUB-ITEMS LIST**  
 \*\*\*\*\*

Item	Part NO.	Description	中文名稱	Specification	Qty	Unit
21.00	GXA000199073D	COVER,REAR PLATE	後擋板蓋	L203.5XW160XT2.3	2.00	EA
22.00	GX 001021525D	COVER, SWING ARM ATC	刀庫後蓋	L148XW137XH2.3	1.00	ST
23.00	GX 001021526D	COVER, SWING ARM ATC	刀庫後蓋	L148XW182XH2.3	1.00	ST
24.00	GX 001021524D	COVER, SWING ARM ATC	刀庫後蓋		1.00	ST
25.00	GXA000199077D	PLATE	擋板	L465XW103.4XH84	1.00	EA
26.00	GX 000399044D	COVER,REAR PLATE	後擋板蓋	L507.5XW50XT2.3	1.00	ST
27.00	GX 001021528D	FRONT COVER, SWING ARM ATC	刀庫前蓋板	L1282.4XW184XH43.2	1.00	ST
28.00	NV 001044920A	WINDOW, MAGAZINE	壓克力板(換刀臂ATC,刀庫護蓋)	L250.5XW250.5XT2	1.00	ST
29.00	GXA00022109D	REAR PLATE,RIGHT	右後擋板	L1822XW462XH20	1.00	EA
30.00	GXA000399094D	FLUSHING ,COVER(ZLEFT)	沖屑護蓋(左)	L318.6XW368.4XH42	1.00	EA
31.00	GXA000399095D	FLUSHING ,COVER(RIGHT)	沖屑護蓋(右)	L318.6XW368.4XH42	1.00	EA
32.02	GXA001021529D	ROTARY DOOR	旋轉門	L481XW350XH240	1.00	EA
33.00	NV 00098730002	CONCEALED HINGE	隱藏式鉸鏈	CL-201隱藏式鉸鏈(允際)	2.00	EA
34.00	NV 00103590108	COMPRESSION EXTENSIBLE LATCH	迫緊式伸縮門扣(不附鎖)	[TAI-SAN]允際 MS731-1	1.00	EA
35.00	2201833080	ATC	ATC前護罩壓克力板	PC 2.5T(XR 1000)	1.00	EA
36.00	MN 0113610NI	HEXAGON NUT(NICKEL)	六角螺帽(鍍鎳)	M6XP1	4.00	EA
37.01	NV 000499045A	SWET, WSITCH	安全開關座	W74XL70XH60	1.00	EA
38.00	NV 000899097A	SEAT,SWITCH	安全開關插銷座	L60XW50XH30	1.00	EA
39.00	GX 001011621F	WINDOW, DOOR	壓克力板	L570XW460XT2	1.00	EA
40.00	GX 001021530D	SEAT	調整固定座	L386XW27XT3	1.00	EA
41.00	GX 001021531D	COVER	防水護蓋	L.405XW.397XH.156.4	1.00	EA

REV	DESCRIPTION	DATE	ECN
A	新仕様	2007/11/16	926
B	B-GX 000320001F-GX000320001F	2008/02/10	1036



MODEL: GX 1300#50 GX 1600#50	
PART NAME	PART NUMBER
MAGAZINE SWING ARM ATC(BT40/24T)	GX 000320001F
圖樣式力庫(BT50/24T)	PAGE 1 OF 1
DATE 2007/11/16	REV. B
KURT	SCALE 1:10
TOM	

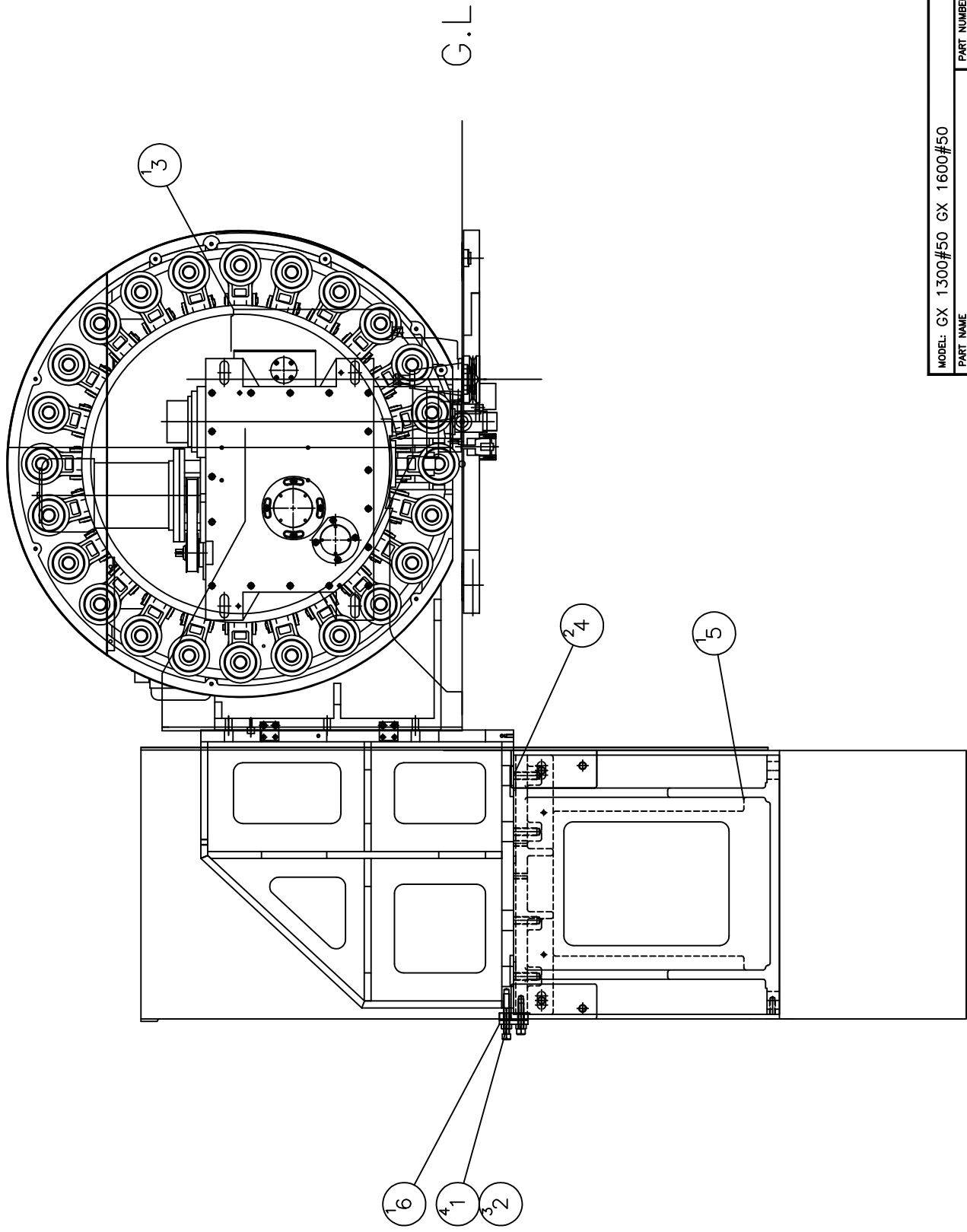
PRODUCT BOM MASTER AND SUB-ITEMS LIST  
\*\*\*\*\*

Master Item Part NO.: GX 000320001F

Description: MAGAZINE SWING ARM ATC(BT50/24)  
圓盤式刀庫(BT50/24T)

Item Part NO.	Description	中文名稱	Specification	Qty	Unit
1.00 MS 0104225	SOCKET HEAD CAP SCREW	六角穴圓頭螺絲	M12XP1.75XL55	4.00	EA
2.00 MW 0104210	FLAT WASHER	平墊圈	M12(D13XD34)	3.00	EA
3.02 GXA000310001F	MAGAZINE SWING ARM ATC(BT50/24)	圓盤式刀庫(BT50/24T)(含凸輪箱)	R5DKAHT13A03-01(W/CAM BOX)	1.00	ST
4.00 GX 00061150103	SUNK KEY	(雙圓頭鍵)平行鍵	W15XL36XH10(內孔D11XH6.5深XD7)	2.00	EA
5.01 GX 001066100D	ATC SEAT	ATC 固定座(570高)	L555XW570XH426	1.00	EA
6.00 GX 000199076D	BLOCK,ATC BRACLET	ATC固定座調整塊	L61XW61XH16	1.00	EA

REV	DESCRIPTION	DATE	ECN
A	新仕様	2007/11/16	926
B	B-GX 000310002F-GX000310002F	2008/12/1	1036



MODEL: GX 1300#50 GX 1600#50	
PART NAME	PART NUMBER
MAGAZINE SWING ARM ATC(CAT40/24T)	GX 000320002F
圓盤式刀庫 (CAT50/24T)	PAGE 1 OF 1
DATE 2007/11/16	REV. B
KURT	SCALE 1:10
TOM	

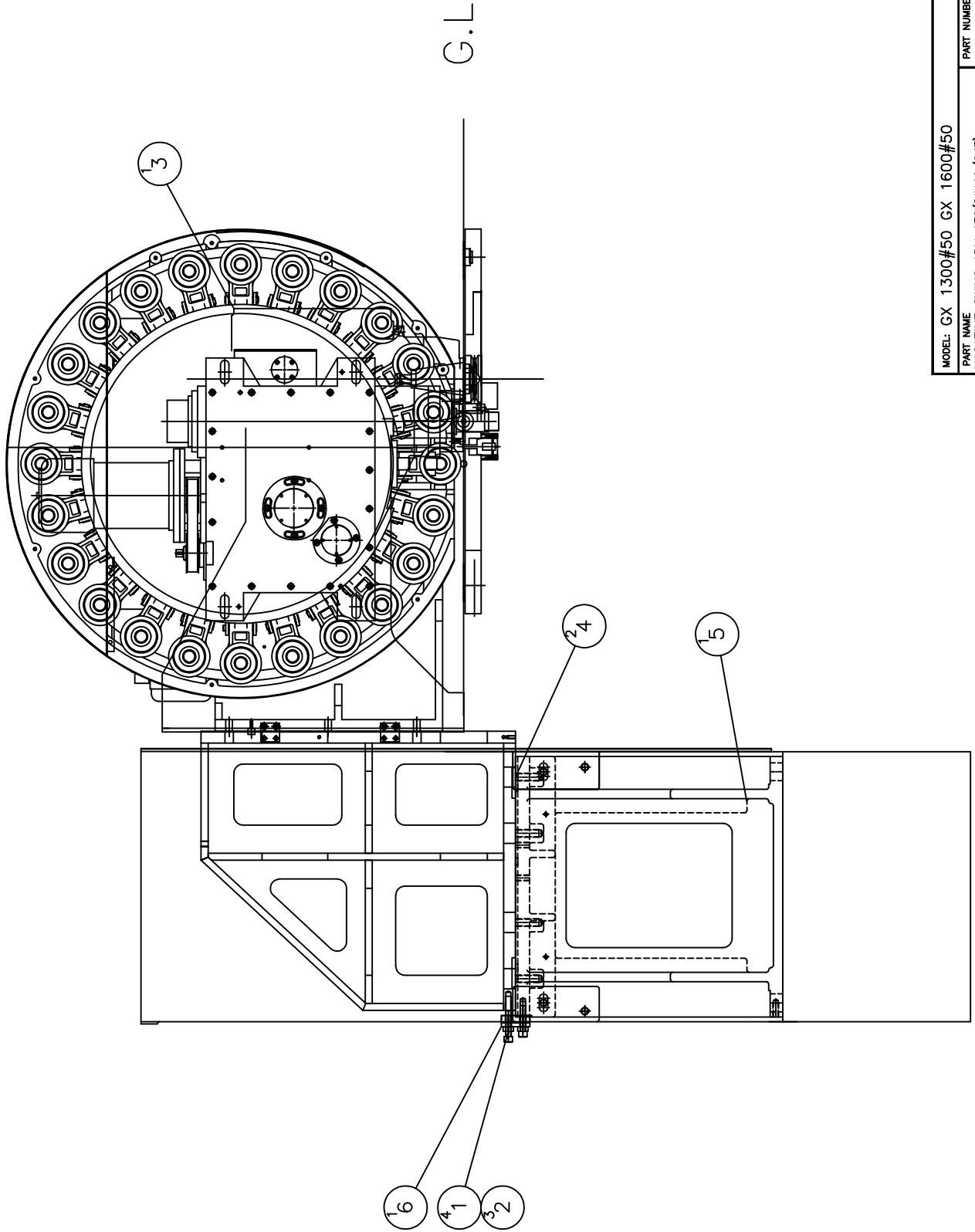
PRODUCT BOM MASTER AND SUB-ITEMS LIST  
\*\*\*\*\*

Master Item Part NO.: GX 000320002F

Description: MAGAZINE SWING ARM ATC(CT50/24  
圓盤式刀庫(CAT50/24T))

Item Part NO.	Description	中文名稱	Specification	Qty	Unit
1.00 MS 0104225	SOCKET HEAD CAP SCREW	六角穴圓頭螺絲	M12XP1.75XL55	4.00	EA
2.00 MW 0104210	FLAT WASHER	平墊圈	M12(D13XD34)	3.00	EA
3.02 GXA000310002F	MAGAZINE SWING ARM ATC(CT50/24	圓盤式刀庫(CAT50/24T)(含凸輪箱)	R5DKAHT13A03-02)(W/CAM BOX)	1.00	ST
4.00 GX 00061150103	SUNK KEY	(雙圓頭鍵)平行鍵	W15XL36XH10(內孔D11XH6.5深XD7)	2.00	EA
5.01 GX 001066100D	ATC SEAT	ATC 固定座(570高)	L555XW570XH426	1.00	EA
6.00 GX 000199076D	BLOCK,ATC BRACKET	ATC固定座調整塊	L61XW61XH16	1.00	EA

REV.	DESCRIPTION	DATE	EON.
A	997FK	2007/11/16	926
B	13-GX 000320003F-GM000310003F	2008/7/28	1036



MODEL: GX 1300#50 GX 1600#50

PART NAME

MAGAZINE SWING ARM ATC(DIN40/24T)

圓盤式刀庫 (DIN50/24T)

DATE 2007/11/16

KURT

SCALE 1:10

TCM

REV. B

PART NUMBER

GX 000320003F

PAGE

1 OF 1

REV. B

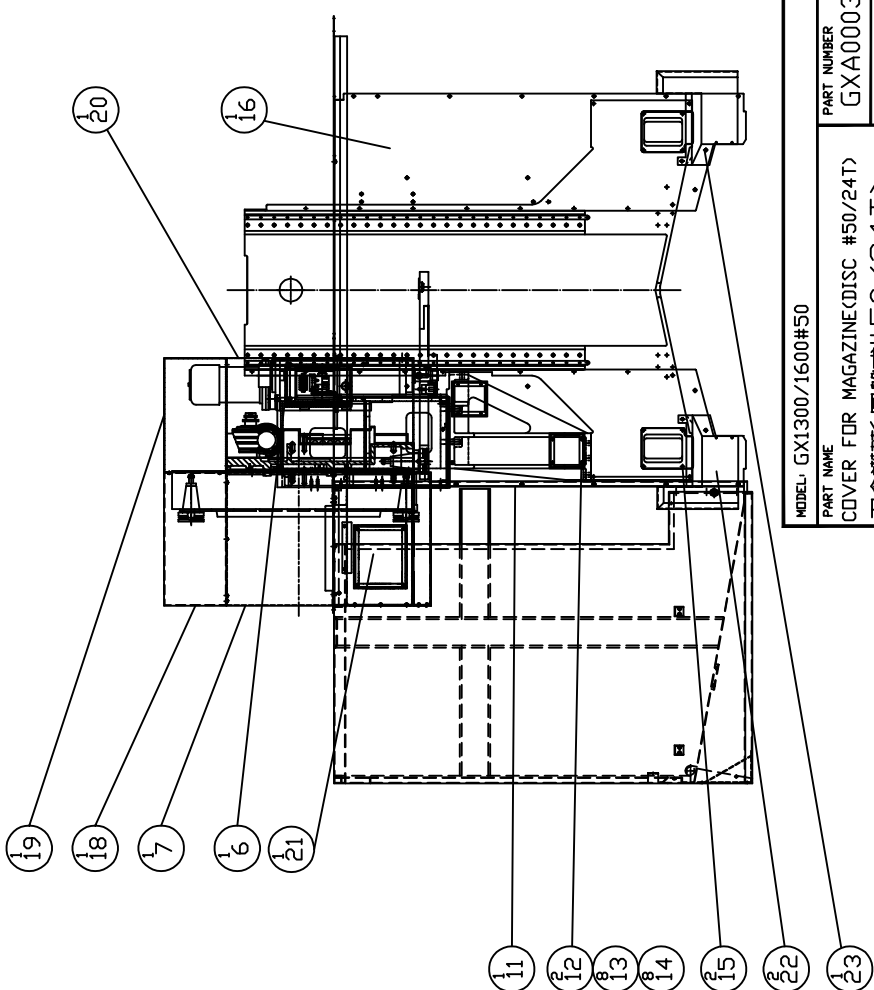
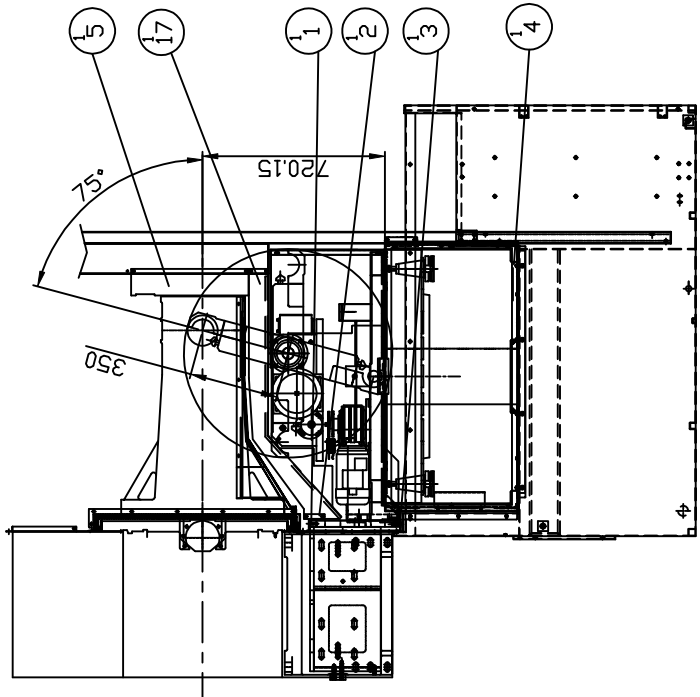
PRODUCT BOM MASTER AND SUB-ITEMS LIST  
\*\*\*\*\*

Master Item Part NO.: GX 000320003F

Description: MAGAZINE SWING ARM ATC(DIN50)  
圓盤式刀庫(DIN50/24T)

Item	Part NO.	Description	中文名稱	Specification	Qty	Unit
1.00	MS 0104225	SOCKET HEAD CAP SCREW	六角穴圓頭螺絲	M12XP1.75XL55	4.00	EA
2.00	MW 0104210	FLAT WASHER	平墊圈	M12(D13XD34)	3.00	EA
3.02	GXA000310003F	MAGAZINE SWING ARM ATC(DIN50)	圓盤式刀庫(DIN50/24T)(含凸輪箱)	R5DKAHT13A03-03)(W/CAM BOX)	1.00	ST
4.00	GX 00061150103	SUNK KEY	(雙圓頭鍵)平行鍵	W15XL36XH10(內孔D11XH6.5深XD7)	2.00	EA
5.02	GX 001066100D	ATC SEAT	ATC 固定座(570高)	L555XW570XH426	1.00	EA
6.00	GX 000199076D	BLOCK,ATC BRACKET	ATC固定座調整塊	L61XW61XH16	1.00	EA

REV	DESCRIPTION	DATE	ECN
A	初版	2008/4/1	1134
B	#11, #16, 增加9.3	2008/4/4	1176
C	增加21, #8, 9, 10, 20	2008/6/9	1267
D	#12, #21Y 新增零件	2008/7/12	1370
E	增加零件GX 0008990140	2008/8/5	1419
F	增加零件22, 23	2008/8/19	1551
G	增加零件11, 16	2008/10/21	1611
H	增加零件19, 20, 21	2009/2/16	1726



GX 0008990140  
CE 增加零件, 增加零件GX0130

MODEL: GX1300/1600#50
PART NAME COVER FOR MAGAZINE(DISC #50/24T) 刀倉雜誌(圖盤式#50/24T)
PART NUMBER GXA000320012F
PAGE 1 OF 1
DATE 2008/4/1
SCALE 1:32
REV. H



\*\*\*\*\*  
PRODUCT BOM MASTER AND SUB-ITEMS LIST  
\*\*\*\*\*

Master Item Part NO.: GXA000320012F

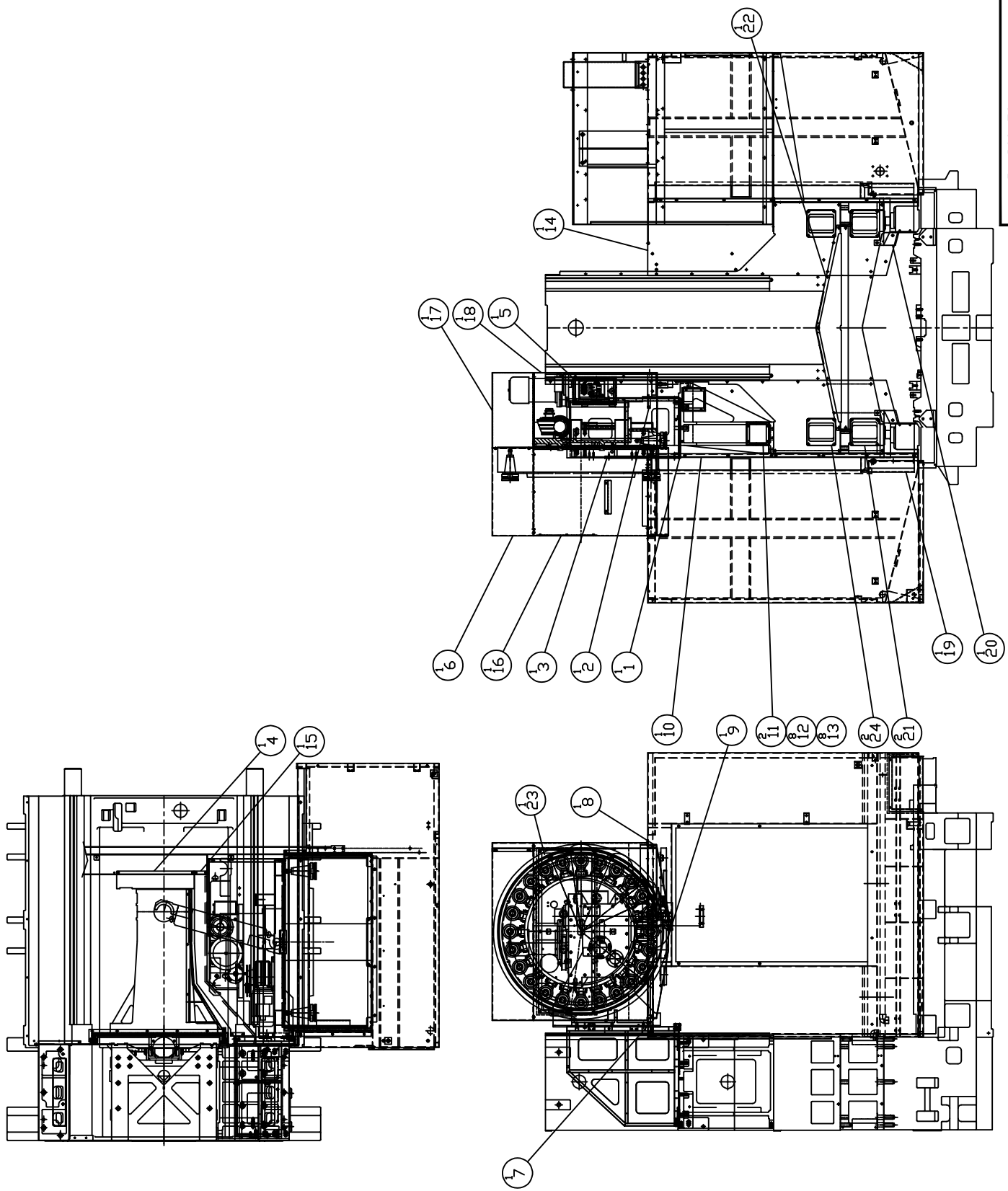
Description: COVER FOR MAGAZINE(#50/24T)  
刀倉護蓋(圓盤式#50/24T)

Item	Part NO.	Description	中文名稱	Specification	Qty	Unit
1.00	GX 000199072F	PLATE, ATC(BOTTOM)	刀倉擋板(下)#50-24T	L359.6XW41.5XH12	1.00	EA
2.00	GX 000022127F	PLATE, ATC(RIGHT SIDE)	刀倉擋板(右)#50-24T	L445XW82XH67.8	1.00	EA
3.00	GX 000199070D	ATC PLATE(FRONT)	刀倉擋板(前)	L520X110.3X15	1.00	EA
4.01	GXA000499003F	FIXED PLATE, MAGAZINE	固定板(#50-24T)	L993.5XW32XH56.3	1.00	EA
5.01	GXA000499004F	PLATE	擋板(#50-24T)	L465XW105.5XH2.3	1.00	EA
6.00	NV 000599030A	COVER, INSPECTION	凸輪箱檢視護板	L250.5XW153.4XH2	1.00	EA
7.01	GXA000399066F	TOP COVER, MAGAZINE	刀倉上蓋(#50-24T)	L1084XW534.6XH670.2	1.00	EA
8.03	GXA000199065F	COVER, MAGAZINE	刀庫護蓋(#50-24T)	L504.9XW455.4XH384.4	1.00	EA
9.02	GXB000199064F	COVER, MAGAZINE	刀庫護蓋(#50-24T)	L504.9XW439.9XH386.7	1.00	EA
10.03	GXA000199066F	COVER, MAGAZINE	刀庫護蓋護網(#50-24T)	L1006.9XW345.1XH2.3	1.00	EA
11.05	GXA000022128F	REAR PLATE,LEFT(LOWER)	左後擋板(下)#50-24T	L1632XW462XH2.3	1.00	EA
12.00	GX 000199061D	COVER,REAR PLATE	後擋板蓋	L128XW128XT2.3	2.00	EA
13.00	MW 0183510	SPRING WASHER	彈簧墊圈	M5(HEAT TREATMENT)	8.00	EA
14.00	MS 0103515	SOCKET HEAD CAP SCREW	六角六圓頭螺絲	M5XP0.8XL10	8.00	EA
15.00	GXA000199073D	COVER,REAR PLATE	後擋板蓋	L203.5XW160XT2.3	2.00	EA
16.05	GXA000022125F	REAR PLATE,RIGHT	右後擋板(#50-24T)	L1632XW462XH2.3	1.00	EA
17.01	GX 000499005F	PLATE	擋板(#50-24T)	L989.7XW375.2XH14.3	1.00	EA
18.00	GX 000399063F	COVER, SWING ARM ATC	刀倉下蓋	L1064.6W555.2H420.7	1.00	EA
19.00	GX 000199074F	PLATE,CONNECT	連接板	L452W247.2H20	1.00	EA
20.01	GX 000399067F	COVER, CAM BOX OF MAGAZINE	刀倉凸輪箱蓋板	L737.8XW465XH452	1.00	EA

PRODUCT BOM MASTER AND SUB-ITEMS LIST  
\*\*\*\*\*

Item	Part NO.	Description	中文名稱	Specification	Qty	Unit
21.00	NV 001044918A	WINDOW, DOOR	壓克力板	L238XW198XH2	1.00	EA
22.00	GXA000399094D	FLUSHING , COVER(ZLEFT)	沖屑護蓋(左)	L318.6XW368.4XH42	1.00	EA
23.00	GXA000399095D	FLUSHING , COVER(RIGHT)	沖屑護蓋(右)	L318.6XW368.4XH42	1.00	EA

REV	DESCRIPTION	DATE	ECN
A	新零件	2011/8/2	2693



MODEL: GX1300#50	PART NUMBER	GX 000320020F
PART NAME	COVER FOR MAGAZINE(AIDD 260 DISC #50/24T)	PAGE 1 OF 1
COVER FOR MAGAZINE(AIDD 260 DISC #50/24T)	乃倉雄基 加高260圖盤式并50/24T	REV. A
DATE 2011/8/2	SCALE 1.32	

\*\*\*\*\*  
PRODUCT BOM MASTER AND SUB-ITEMS LIST  
\*\*\*\*\*

Master Item Part NO.: GX 000320020F

Description: COVER FOR MAGAZINE(#50/24T)  
刀倉護蓋(加高260圓盤式#50/24T)

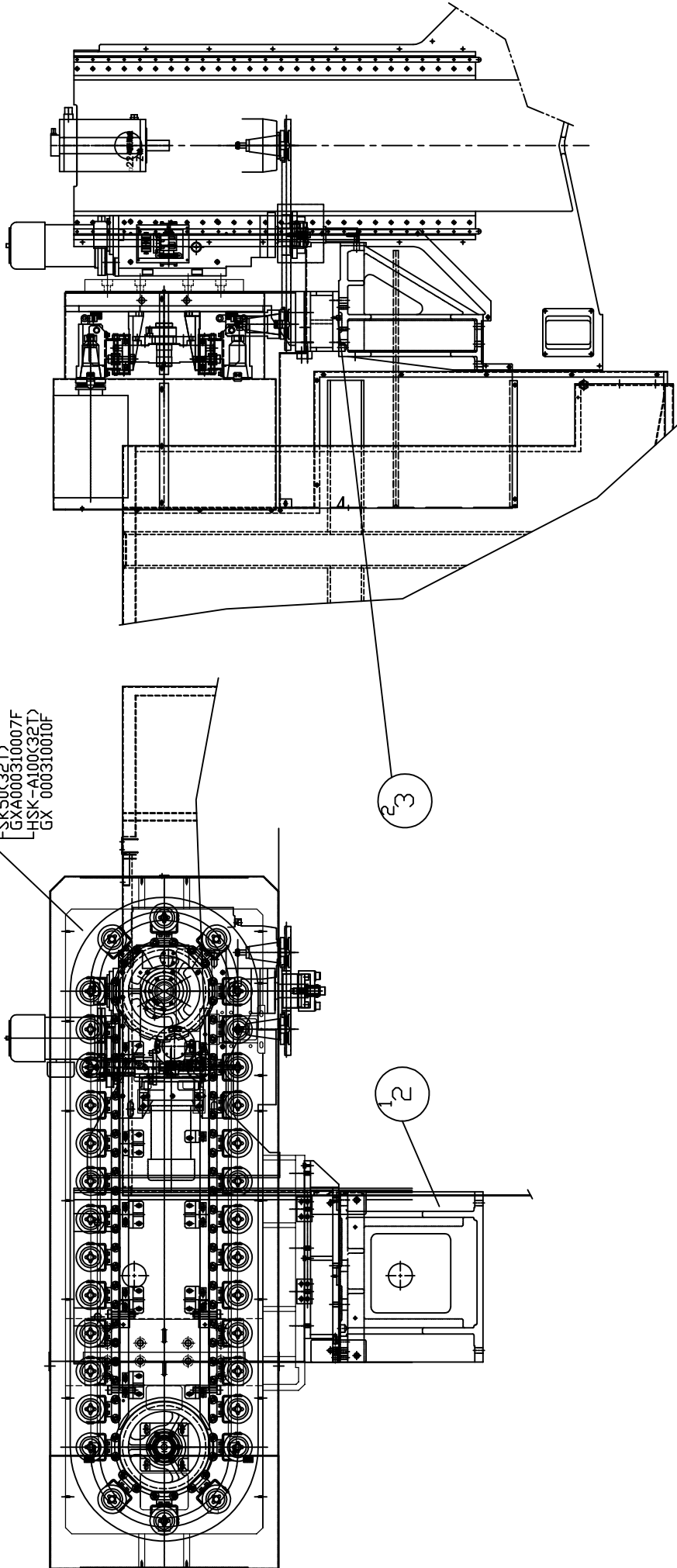
Item Part NO.	Description	中文名稱	Specification	Qty	Unit
1.00 GX 000199072F	PLATE, ATC(BOTTOM)	刀倉擋板(下)#50-24T	L359.6XW41.5XH12	1.00	EA
2.00 GX 000022148F	PLATE, ATC(RIGHT SIDE)	刀倉擋板(右)(#50-24T)立柱加高260用	L185XW82XH67.8	1.00	EA
3.00 GX 000199070D	ATC PLATE(FRONT)	刀倉擋板(前)	L520X110.3X15	1.00	EA
4.00 GXA000499004F	PLATE	擋板(#50-24T)	L465XW105.5XH2.3	1.00	EA
5.00 NV 000599030A	COVER, INSPECTION	凸輪箱檢視護板	L250.5XW153.4XH2	1.00	EA
6.00 GXA000399066F	TOP COVER, MAGAZINE	刀倉上蓋(#50-24T)	L1084XW534.6XH670.2	1.00	EA
7.00 GX 000199123F	COVER, MAGAZINE	後刀庫護蓋(#50-24T)立柱加高260MM用	L504.9XW455.4XH173	1.00	EA
8.00 GX 000199121F	COVER, MAGAZINE	刀庫護蓋(#50-24T)立柱加高260MM用	L504.9XW439.9XH386.7	1.00	EA
9.00 GX 000199122F	COVER, MAGAZINE	刀庫護蓋連接板(#50-24T)	L1006.9XW124.3XT2.3	1.00	EA
10.00 GX 000022147F	REAR PLATE,LEFT(LOWER)#50,24T	左後擋板(下)(#50,24T,立柱加高260MM)	L1887XW462XH6.3	1.00	EA
11.00 GX 000199061D	COVER,REAR PLATE	後擋板蓋	L128XW128XT2.3	2.00	EA
12.00 MW 0183510	SPRING WASHER	彈簧墊圈	M5(HEAT TREATMENT)	8.00	EA
13.00 MS 0103515	SOCKET HEAD CAP SCREW	六角穴圓頭螺絲	M5XP0.8XL10	8.00	EA
14.00 GX 000022146F	REAR PLATE,RIGHT	右後擋板(#50-24T)立柱加高260MM	L1817XW462XH2.3	1.00	EA
15.00 GX 000499005F	PLATE	擋板(#50-24T)	L989.7XW375.2XH14.3	1.00	EA
16.00 GX 000399102F	COVER, SWING ARM ATC	刀倉下蓋50#24T立柱加高260MM	L1064.6W555.2H680.7	1.00	EA
17.00 GX 000199074F	PLATE,CONNECT	連接板	L452W247.2H20	1.00	EA
18.00 GX 000399067F	COVER, CAM BOX OF MAGAZINE	刀倉凸輪箱蓋板	L737.8XW465XH452	1.00	EA
19.00 GXA000399094D	FLUSHING ,COVER(ZLEFT)	沖屑護蓋(左)	L318.6XW368.4XH42	1.00	EA
20.00 GXA000399095D	FLUSHING ,COVER(RIGHT)	沖屑護蓋(右)	L318.6XW368.4XH42	1.00	EA

PRODUCT BOM MASTER AND SUB-ITEMS LIST  
\*\*\*\*\*

Item	Part NO.	Description	中文名稱	Specification	Qty	Unit
21.00	GXA000199073D	COVER,REAR PLATE	後擋板蓋	L203.5XW160XT2.3	2.00	EA
22.00	GX 000399012D	COVER, COLUMN SIDE	立柱墊高蓋板260MM	L1230XW195.3XT2.3	1.00	EA
23.00	GX 001011623F	ATC WINDOW	24T加高260刀倉壓克力板	L976XW336XT2	1.00	EA
24.00	GX 000199105D	COVER,REAR PLATE	後擋板蓋	L170XW160XT2.3	2.00	EA

REV	DESCRIPTION	DATE	ECN
A	新機種	2009/1/19	1707
B	機種由GX150(32T)→GX100(32T)	2009/1/19	247
C	機種由GX100(32T)→GX000(32T)	2009/1/19	100297

- BT50(32T)
- GXA000310005F
- CT50/ANSI50(32T)
- GXA000310006F
- SK50(32T)
- GXA000310007F
- HSK-A100(32T)
- GX 000310010F



MODEL: GX 1300#50/1600#50	PART NUMBER	GX 000320006F
PART NAME	LINKAGE OF COLUMN AND ATCLEFTSWING ARM ATC	
左側刀倉與主柱聯結式 鑄式刀庫#50/32T	PAGE	1 OF 1
DATE 2009/1/19	AUSTIN	SCALE 1:36
		REV. C

PRODUCT BOM MASTER AND SUB-ITEMS LIST  
\*\*\*\*\*

Master Item Part NO.: GX 0003200006F

Description: LINKAGE OF COLUMN AND ATC(LEFT  
左儲刀倉與主柱聯結(鏈式刀庫#50/32T)

Item	Part NO.	Description	中文名稱	Specification	Qty	Unit
2.02	GX 001066101F	ATC SEAT	ATC 固定座(482高)	L570XW482XH426	1.00	EA
3.00	GX 00061150103	SUNK KEY	(雙圓頭鍵)平行鍵	W15XL36XH10(內孔D11XH6.5深XD7)	2.00	EA

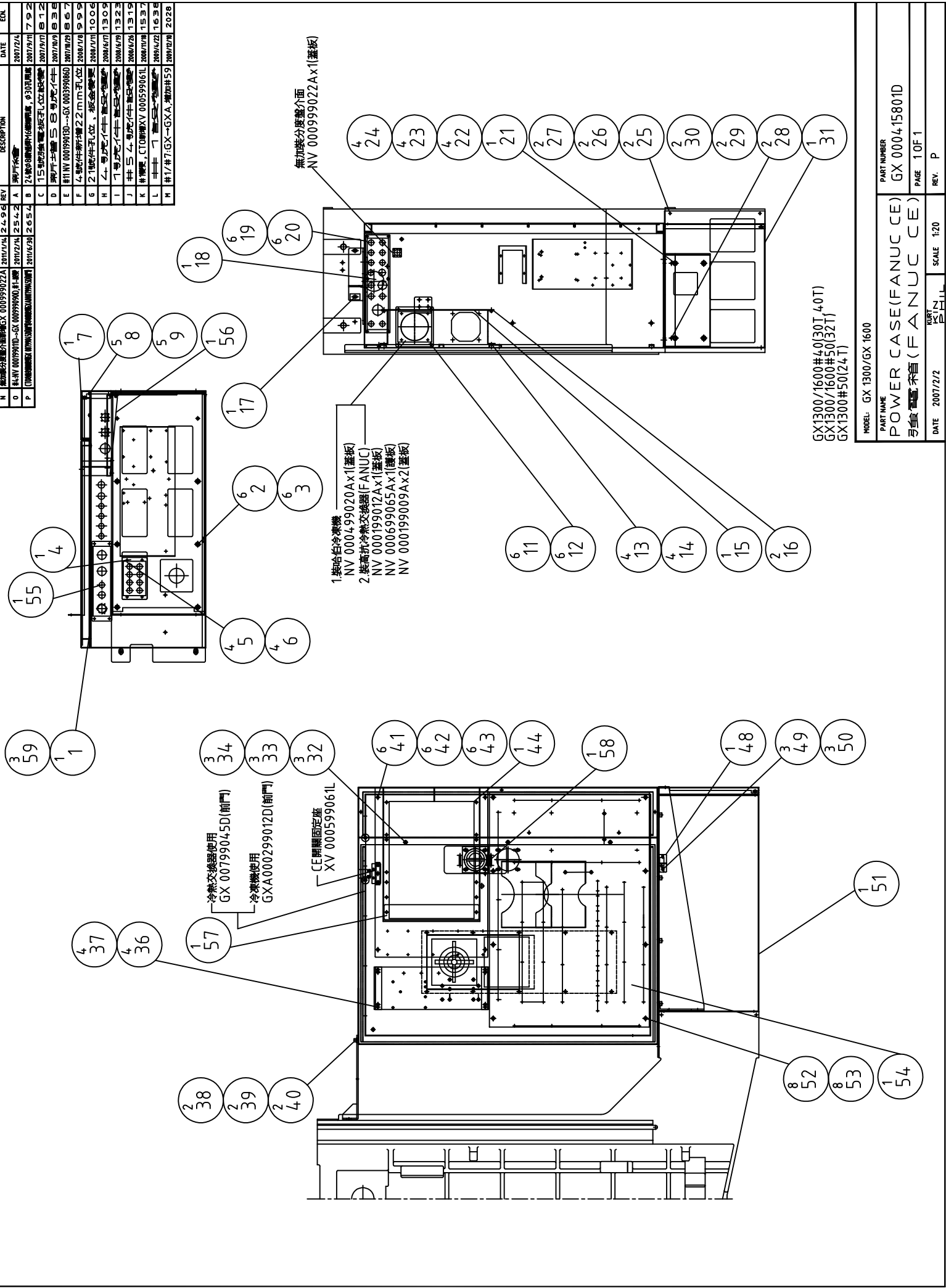
# Chapter 6

強電箱

Power Case



REV	DESCRIPTION	DATE	ENR
N	增加分度盤蓋板GX 00099022A	2017/2/4	2495
O	增加分度盤蓋板GX 00099090, 增加分度盤蓋板GX 00099090, 增加分度盤蓋板GX 00099090	2017/2/4	2542
P	增加分度盤蓋板GX 00099090, 增加分度盤蓋板GX 00099090, 增加分度盤蓋板GX 00099090	2017/2/4	2654
A	增加分度盤蓋板GX 00099090, 增加分度盤蓋板GX 00099090, 增加分度盤蓋板GX 00099090	2017/9/11	792
B	增加分度盤蓋板GX 00099090, 增加分度盤蓋板GX 00099090, 增加分度盤蓋板GX 00099090	2017/9/11	812
C	增加分度盤蓋板GX 00099090, 增加分度盤蓋板GX 00099090, 增加分度盤蓋板GX 00099090	2017/9/11	836
D	增加分度盤蓋板GX 00099090, 增加分度盤蓋板GX 00099090, 增加分度盤蓋板GX 00099090	2017/9/11	857
E	增加分度盤蓋板GX 00099090, 增加分度盤蓋板GX 00099090, 增加分度盤蓋板GX 00099090	2017/9/11	1006
F	增加分度盤蓋板GX 00099090, 增加分度盤蓋板GX 00099090, 增加分度盤蓋板GX 00099090	2017/9/11	1006
G	增加分度盤蓋板GX 00099090, 增加分度盤蓋板GX 00099090, 增加分度盤蓋板GX 00099090	2017/9/11	1006
H	增加分度盤蓋板GX 00099090, 增加分度盤蓋板GX 00099090, 增加分度盤蓋板GX 00099090	2017/9/11	1309
I	增加分度盤蓋板GX 00099090, 增加分度盤蓋板GX 00099090, 增加分度盤蓋板GX 00099090	2017/9/11	1323
J	增加分度盤蓋板GX 00099090, 增加分度盤蓋板GX 00099090, 增加分度盤蓋板GX 00099090	2017/9/11	1323
K	增加分度盤蓋板GX 00099090, 增加分度盤蓋板GX 00099090, 增加分度盤蓋板GX 00099090	2017/9/11	1323
L	增加分度盤蓋板GX 00099090, 增加分度盤蓋板GX 00099090, 增加分度盤蓋板GX 00099090	2017/9/11	1537
M	增加分度盤蓋板GX 00099090, 增加分度盤蓋板GX 00099090, 增加分度盤蓋板GX 00099090	2017/9/11	1537
N	增加分度盤蓋板GX 00099090, 增加分度盤蓋板GX 00099090, 增加分度盤蓋板GX 00099090	2017/9/11	1638
		2017/9/11	2028



GX1300/1600#40(30T,40T)  
GX1300/1600#50(32T)  
GX1300#50(24T)

MODEL: GX 1300/GX 1600
PART NUMBER: GX 000415801D
POWER CASE(FANUC CE)
DATE: 2007/2/2
SCALE: 1:20
REV: P
PAGE: 10F/1

PRODUCT BOM MASTER AND SUB-ITEMS LIST  
\*\*\*\*\*

Master Item Part NO.: GX 000415801D

Description: POWER CASE(FANUC CE)  
強電箱(FANUC CE)

Item	Part NO.	Description	中文名稱	Specification	Qty	Unit
1.10	GXA000199034D	POWER CASE	強電箱	L1200XW1030XH500	1.00	EA
2.00	MS 0104017	SOCKET HEAD CAP SCREW	六角穴圓頭螺絲	M10XP1.5XL16	6.00	EA
3.00	MW 0184010	SPRING WASHER	彈簧墊圈	M10(HEAT TREATMENT)	6.00	EA
4.04	GX 00099090D	PLATE,WIRE OUTLET	出線板	L166XW100XH2.3	1.00	EA
5.00	MS 0103414	SOCKET HEAD CAP SCREW	六角穴圓頭螺絲	M4XP0.7XL8	4.00	EA
6.00	MW 0183410	SPRING WASHER	彈簧墊圈	M4(HEAT TREATMENT)	4.00	EA
7.01	GXA000199033D	FRONT COVER,POWER CASE	強電箱前蓋	L1200XW277XH38	1.00	EA
8.00	MS 0303516	BUTTON HD. SOCKET	六角穴半圓頭螺絲	M5XP0.8XL12	5.00	EA
9.00	MW 0183510	SPRING WASHER	彈簧墊圈	M5(HEAT TREATMENT)	5.00	EA
11.00	MS 0333413	PAN HEAD PHILIPS SCREW	十字圓頭螺絲	M4XP0.7XL6	6.00	EA
12.00	MW 0183410	SPRING WASHER	彈簧墊圈	M4(HEAT TREATMENT)	6.00	EA
13.00	MS 0103617	SOCKET HEAD CAP SCREW	六角穴圓頭螺絲	M6XP1.0XL16	4.00	EA
14.00	MW 0183610	SPRING WASHER	彈簧墊圈	M6(HEAT TREATMENT)	4.00	EA
15.02	NV 000299076A	PLATE, POWER CASE	強電板(上)	L450XW170XH2.3	1.00	EA
16.00	NV 000299075A	BRACKET	支持板	L170XW135XH30	2.00	EA
17.01	GXA000199031D	PLATE, MOUNTING POWER CASE	固定板	L337XW305XH62	1.00	EA
18.01	GX 000199030D	PLATE,WIRE OUTLET	出線板	L372XW97XT2.3	1.00	EA
19.00	MS 0103515	SOCKET HEAD CAP SCREW	六角穴圓頭螺絲	M5XP0.8XL10	6.00	EA
20.00	MW 0183510	SPRING WASHER	彈簧墊圈	M5(HEAT TREATMENT)	6.00	EA
21.03	GX 000199032D	SUPPORT,POWER CASE	強電箱座	L1054XW376XH185	1.00	EA

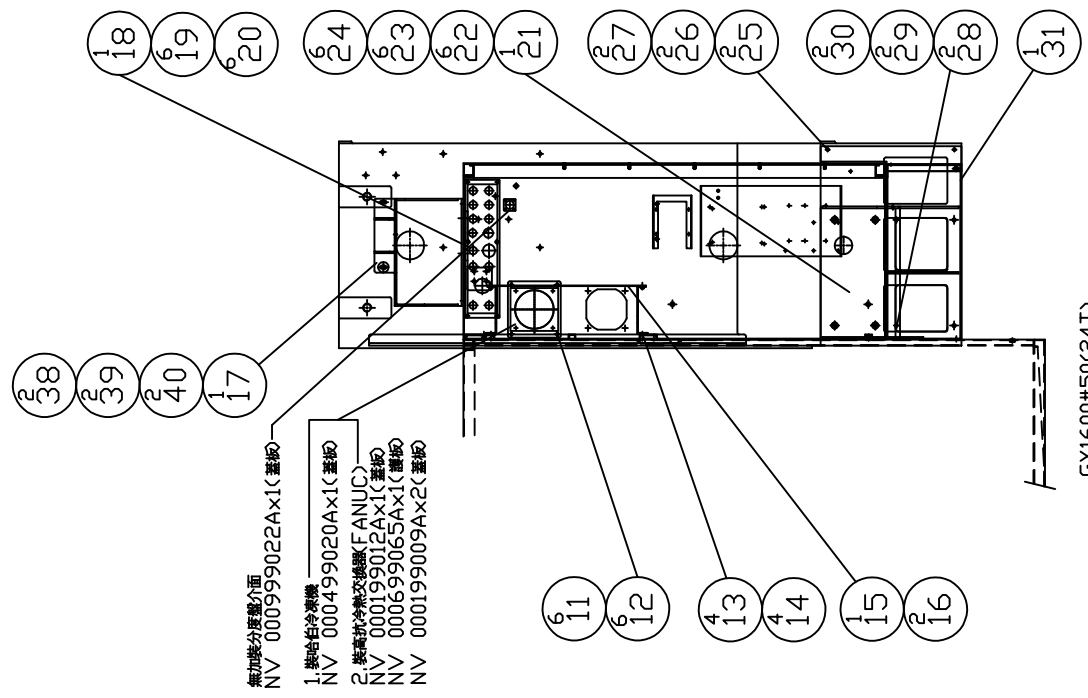
\*\*\*\*\*  
**PRODUCT BOM MASTER AND SUB-ITEMS LIST**  
 \*\*\*\*\*

Item	Part NO.	Description	中文名稱	Specification	Qty	Unit
22.00	MS 0104621	SOCKET HEAD CAP SCREW	六角穴圓頭螺絲	M16XP2.0XL35	4.00	EA
23.00	MS 0104621	SOCKET HEAD CAP SCREW	六角穴圓頭螺絲	M16XP2.0XL35	4.00	EA
24.00	MW 0184610	SPRING WASHER	彈簧墊圈	M16(HEAT TREATMENT)	4.00	EA
25.00	MS 0103617	SOCKET HEAD CAP SCREW	六角穴圓頭螺絲	M6XP1.0XL16	2.00	EA
26.00	MW 0103610	FLAT WASHER	平墊圈	M6(D6*D19*H2)	2.00	EA
27.00	MW 0183610	SPRING WASHER	彈簧墊圈	M6(HEAT TREATMENT)	2.00	EA
28.00	MS 0103617	SOCKET HEAD CAP SCREW	六角穴圓頭螺絲	M6XP1.0XL16	2.00	EA
29.00	MW 0103610	FLAT WASHER	平墊圈	M6(D6*D19*H2)	2.00	EA
30.00	MW 0183610	SPRING WASHER	彈簧墊圈	M6(HEAT TREATMENT)	2.00	EA
31.00	GX 000199037D	COVER	護蓋	L513.4XW402.3XH30	1.00	EA
32.00	MS 0303516	BUTTON HD. SOCKET	六角穴半圓頭螺絲	M5XP0.8XL12	3.00	EA
33.00	MW 0183510	SPRING WASHER	彈簧墊圈	M5(HEAT TREATMENT)	3.00	EA
34.00	MW 0103510	FLAT WASHER	平墊圈	M5	3.00	EA
36.00	MS 0103817	SOCKET HEAD CAP SCREW	六角穴圓頭螺絲	M8XP1.25XL16	4.00	EA
37.00	MW 0183810	SPRING WASHER	彈簧墊圈	M8(HEAT TREATMENT)	4.00	EA
38.00	MS 0103817	SOCKET HEAD CAP SCREW	六角穴圓頭螺絲	M8XP1.25XL16	2.00	EA
39.00	MW 0183810	SPRING WASHER	彈簧墊圈	M8(HEAT TREATMENT)	2.00	EA
40.00	MW 0103810	FLAT WASHER	平墊圈	M8 (D8*D22.2)	2.00	EA
41.00	MS 0103817	SOCKET HEAD CAP SCREW	六角穴圓頭螺絲	M8XP1.25XL16	6.00	EA
42.00	MW 0183810	SPRING WASHER	彈簧墊圈	M8(HEAT TREATMENT)	6.00	EA
43.00	MW 0103810	FLAT WASHER	平墊圈	M8 (D8*D22.2)	6.00	EA
44.02	GX 000299073D	BRACKET	支持板	L678XW452XH135	1.00	EA
48.00	NV 000799028B	SEAT, POWER CASE	護蓋支撐座	L120.7XW70XH30	1.00	EA

PRODUCT BOM MASTER AND SUB-ITEMS LIST  
\*\*\*\*\*

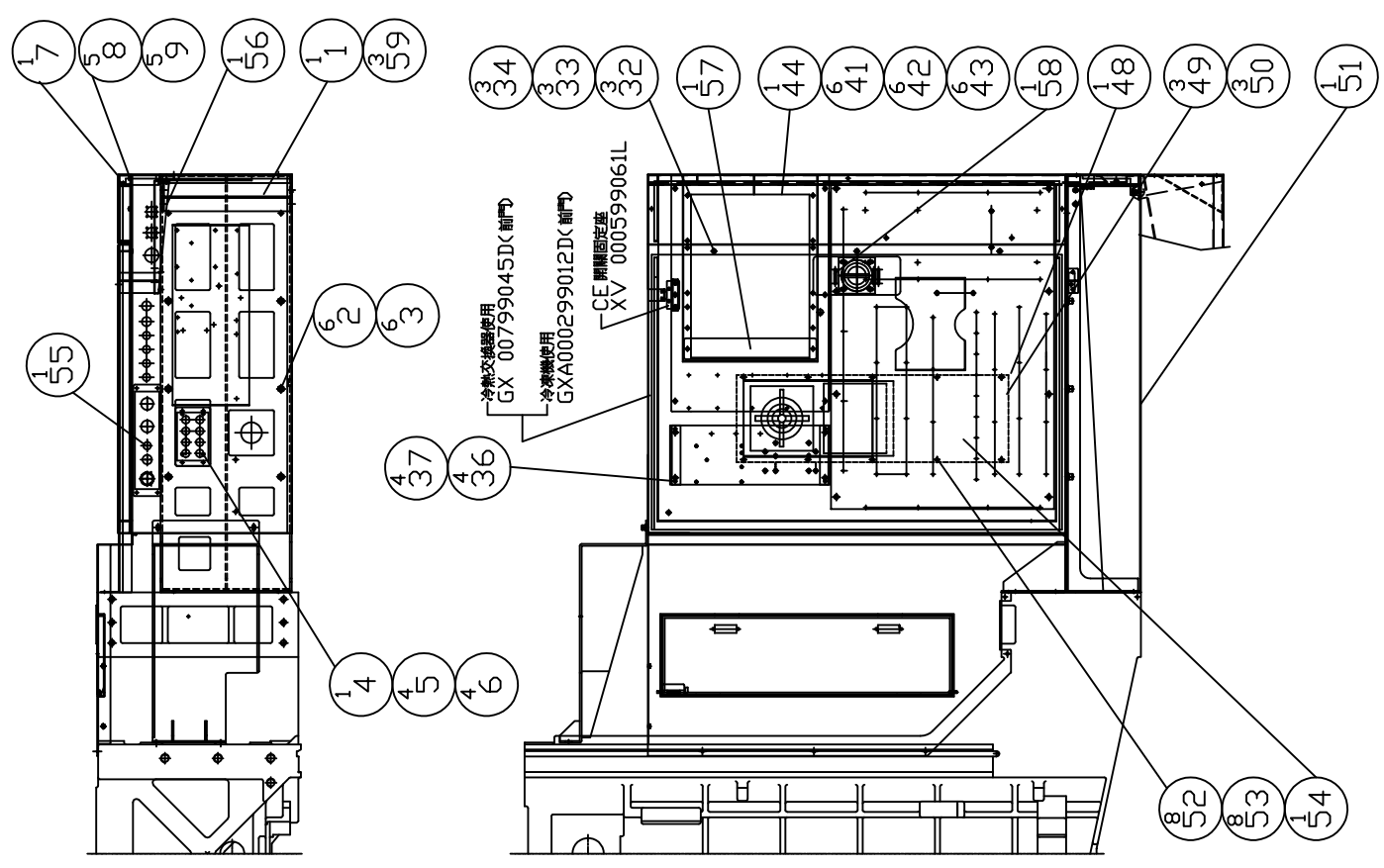
Item	Part NO.	Description	中文名稱	Specification	Qty	Unit
49.00	MS 0103617	SOCKET HEAD CAP SCREW	六角穴圓頭螺絲	M6XP1.0XL16	3.00	EA
50.00	MW 0183610	SPRING WASHER	彈簧墊圈	M6(HEAT TREATMENT)	3.00	EA
51.00	GX 000199038D	COVER	護蓋	L865XW402.3XH12	1.00	EA
52.00	MS 0103817	SOCKET HEAD CAP SCREW	六角穴圓頭螺絲	M8XP1.25XL16	8.00	EA
53.00	MW 0183810	SPRING WASHER	彈簧墊圈	M8(HEAT TREATMENT)	8.00	EA
54.01	NVA000199007D	PLATE,POWER CASE	強電板(下)	L940XW640XH2.3(FANUC)	1.00	EA
55.01	NV 000199010D	PLATE, WIRE OUTLET	出線板	L320XW80XH2.3	1.00	EA
56.02	GX 000399086D	BRACKET, MAIN SWITCH	主開關托架	L325XW286XH45	1.00	EA
57.00	NV 000199009A	COVER	蓋板	L380XW60XH2.3	1.00	EA
58.00	NV 000199113A	BRACKE TPLATE, MAIN SWITCH	主開關托架護板	L250XW110XH1.0	1.00	EA
59.00	NV 00082310113	RING, C-RETAINING	C型內扣	R-12	3.00	EA

REV	DESCRIPTION	DATE	ECN
A	新機	2007/12/12	923
B	4 零件新機	2008/1/8	999
C	零件新機	2008/2/19	1027
D	零件新機	2008/6/17	1309
E	零件新機	2008/6/19	1323
F	零件新機	2008/6/26	1313
G	零件新機	2009/1/23	1638
H	1/ #7GX-GXA, #機#59	2009/2/10	2028
I	#機#X 000999022A	2009/2/10	2298
J	#機#X 000999022A	2011/7/3	2496
K	#機#X 000999022A	2012/12/4	2542



GX1600#50(24T)  
MODEL: GX 1600#50

PART NUMBER	GX 000415804G
PART NAME	POWER CASE(FANUC CE)GX1600#50-24T
強電櫃(FANUC CE)GX1600#50-24T	
DATE	2007/12/12
SCALE	1:23
REV.	K



PRODUCT BOM MASTER AND SUB-ITEMS LIST  
\*\*\*\*\*

Master Item Part NO.: GX 000415804G

Description: POWER CASE(FANUC CE)#50-24T

強電箱(FANUC CE)GX1600#50-24T

Item	Part NO.	Description	中文名稱	Specification	Qty	Unit
1.09	GXA000199034D	POWER CASE	強電箱	L1200XW1030XH500	1.00	EA
2.00	MS 0104017	SOCKET HEAD CAP SCREW	六角穴圓頭螺絲	M10XP1.5XL16	6.00	EA
3.00	MW 0184010	SPRING WASHER	彈簧墊圈	M10(HEAT TREATMENT)	6.00	EA
4.03	GX 00099090D	PLATE,WIRE OUTLET	出線板	L166XW100XH2.3	1.00	EA
5.00	MS 0103414	SOCKET HEAD CAP SCREW	六角穴圓頭螺絲	M4XP0.7XL8	4.00	EA
6.00	MW 0183410	SPRING WASHER	彈簧墊圈	M4(HEAT TREATMENT)	4.00	EA
7.01	GXA000199033D	FRONT COVER,POWER CASE	強電箱前蓋	L1200XW277XH38	1.00	EA
8.00	MS 0303516	BUTTON HD. SOCKET	六角穴半圓頭螺絲	M5XP0.8XL12	5.00	EA
9.00	MW 0183510	SPRING WASHER	彈簧墊圈	M5(HEAT TREATMENT)	5.00	EA
11.00	MS 0333413	PAN HEAD PHILIPS SCREW	十字圓頭螺絲	M4XP0.7XL6	6.00	EA
12.00	MW 0183410	SPRING WASHER	彈簧墊圈	M4(HEAT TREATMENT)	6.00	EA
13.00	MS 0103617	SOCKET HEAD CAP SCREW	六角穴圓頭螺絲	M6XP1.0XL16	4.00	EA
14.00	MW 0183610	SPRING WASHER	彈簧墊圈	M6(HEAT TREATMENT)	4.00	EA
15.00	NV 000299076A	PLATE, POWER CASE	強電板(上)	L450XW170XH2.3	1.00	EA
16.00	NV 000299075A	BRACKET	支持板	L170XW135XH30	2.00	EA
17.00	GX 000199031G	PLATE,MOUNTING POWER CASE	固定板(GX1600#50-24T)	L637XW305XH252	1.00	EA
18.00	GX 000199030D	PLATE,WIRE OUTLET	出線板	L372XW97XT2.3	1.00	EA
19.00	MS 0103515	SOCKET HEAD CAP SCREW	六角穴圓頭螺絲	M5XP0.8XL10	6.00	EA
20.00	MW 0183510	SPRING WASHER	彈簧墊圈	M5(HEAT TREATMENT)	6.00	EA
21.02	GX 000199032G	SUPPORT,POWER CASE	強電箱座(GX1600#50-24T)	L1199XW376XH397	1.00	EA

\*\*\*\*\*  
**PRODUCT BOM MASTER AND SUB-ITEMS LIST**  
 \*\*\*\*\*

Item	Part NO.	Description	中文名稱	Specification	Qty	Unit
22.00	MS 0104621	SOCKET HEAD CAP SCREW	六角穴圓頭螺絲	M16XP2.0XL35	6.00	EA
23.00	MS 0104621	SOCKET HEAD CAP SCREW	六角穴圓頭螺絲	M16XP2.0XL35	6.00	EA
24.00	MW 0184610	SPRING WASHER	彈簧墊圈	M16(HEAT TREATMENT)	6.00	EA
25.00	MS 0103617	SOCKET HEAD CAP SCREW	六角穴圓頭螺絲	M6XP1.0XL16	2.00	EA
26.00	MW 0103610	FLAT WASHER	平墊圈	M6(D6*D19*H2)	2.00	EA
27.00	MW 0183610	SPRING WASHER	彈簧墊圈	M6(HEAT TREATMENT)	2.00	EA
28.00	MS 0103617	SOCKET HEAD CAP SCREW	六角穴圓頭螺絲	M6XP1.0XL16	2.00	EA
29.00	MW 0103610	FLAT WASHER	平墊圈	M6(D6*D19*H2)	2.00	EA
30.00	MW 0183610	SPRING WASHER	彈簧墊圈	M6(HEAT TREATMENT)	2.00	EA
31.00	GX 000199037G	COVER	護蓋(GX1600#50-24T)	L497.4XW59X212.3	1.00	EA
32.00	MS 0303516	BUTTON HD. SOCKET	六角穴半圓頭螺絲	M5XP0.8XL12	3.00	EA
33.00	MW 0183510	SPRING WASHER	彈簧墊圈	M5(HEAT TREATMENT)	3.00	EA
34.00	MW 0103510	FLAT WASHER	平墊圈	M5	3.00	EA
36.00	MS 0103817	SOCKET HEAD CAP SCREW	六角穴圓頭螺絲	M8XP1.25XL16	4.00	EA
37.00	MW 0183810	SPRING WASHER	彈簧墊圈	M8(HEAT TREATMENT)	4.00	EA
38.00	MS 0103817	SOCKET HEAD CAP SCREW	六角穴圓頭螺絲	M8XP1.25XL16	2.00	EA
39.00	MW 0183810	SPRING WASHER	彈簧墊圈	M8(HEAT TREATMENT)	2.00	EA
40.00	MW 0103810	FLAT WASHER	平墊圈	M8 (D8*D22.2)	2.00	EA
41.00	MS 0103817	SOCKET HEAD CAP SCREW	六角穴圓頭螺絲	M8XP1.25XL16	6.00	EA
42.00	MW 0183810	SPRING WASHER	彈簧墊圈	M8(HEAT TREATMENT)	6.00	EA
43.00	MW 0103810	FLAT WASHER	平墊圈	M8 (D8*D22.2)	6.00	EA
44.02	GX 000299073D	BRACKET	支持板	L678XW452XH135	1.00	EA
48.00	NV 000799028B	SEAT, POWER CASE	護蓋支撐座	L120.7XW70XH30	1.00	EA

PRODUCT BOM MASTER AND SUB-ITEMS LIST  
\*\*\*\*\*

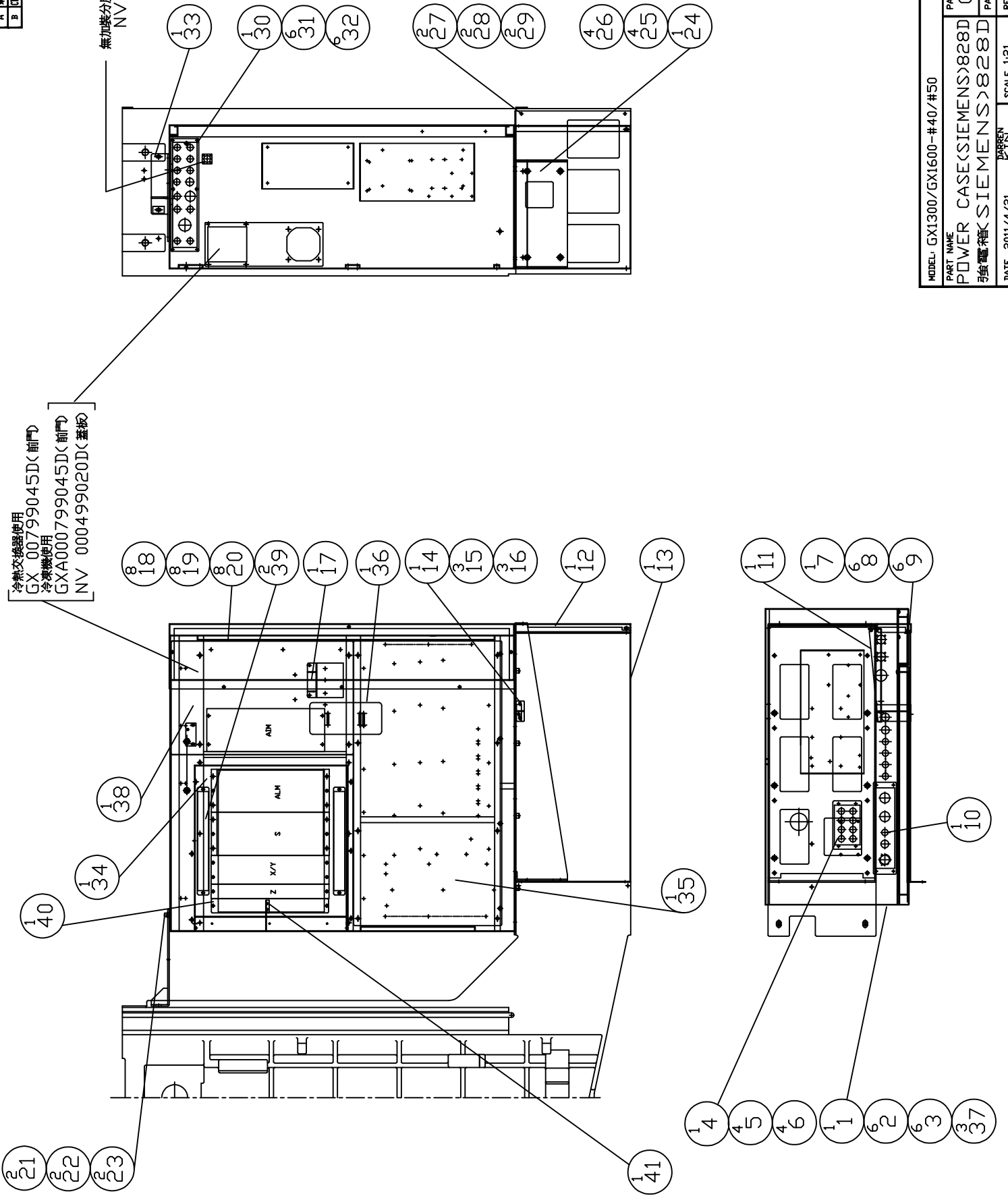
Item	Part NO.	Description	中文名稱	Specification	Qty	Unit
49.00	MS 0103617	SOCKET HEAD CAP SCREW	六角六圓頭螺絲	M6XP1.0XL16	3.00	EA
50.00	MW 0183610	SPRING WASHER	彈簧墊圈	M6(HEAT TREATMENT)	3.00	EA
51.00	GX 000199038G	COVER	護蓋(GX1600#50-24T)	L1167.7XW400XH89	1.00	EA
52.00	MS 0103817	SOCKET HEAD CAP SCREW	六角六圓頭螺絲	M8XP1.25XL16	8.00	EA
53.00	MW 0183810	SPRING WASHER	彈簧墊圈	M8(HEAT TREATMENT)	8.00	EA
54.01	NVA000199007D	PLATE,POWER CASE	強電板(下)	L940XW640XH2.3(FANUC)	1.00	EA
55.01	NV 000199010D	PLATE, WIRE OUTLET	出線板	L320XW80XH2.3	1.00	EA
56.00	GX 000399086D	BRACKET, MAIN SWITCH	主開關托架	L325XW286XH45	1.00	EA
57.00	NV 000199009A	COVER	蓋板	L380XW60XH2.3	1.00	EA
58.00	NV 000199113A	BRACKE TPLATE, MAIN SWITCH	主開關托架護板	L250XW110XH1.0	1.00	EA
59.00	NV 00082310113	RING, C-RETAINING	C型內扣	R-12	3.00	EA



REV	DESCRIPTION	DATE	ECN
A	新機種	2011/4/21	2324
B	00000003 (07/24/2011) (00000003) (00000003)	2011/6/20	2354

無加裝分度盤介面  
NV 000999022A(基板)

冷熱交換器使用  
GX 00799045D(前門)  
冷庫機使用  
GXA000799045D(前門)  
NV 000499020D(基板)



MODEL: GX1300/GX1600-#40/#50	PART NUMBER	GXA000415802D
POWER CASE(SIEMENS)828D		
強電箱(SIEMENS)828D	PAGE 1 OF 1	
DATE 2011/4/21	SCALE 1:21	REV. B

\*\*\*\*\*  
**PRODUCT BOM MASTER AND SUB-ITEMS LIST**  
 \*\*\*\*\*

Master Item Part NO.: GXA000415802D

Description: POWER CASE(SIEMENS)  
強電箱(SIEMENS)828D

Item	Part NO.	Description	中文名稱	Specification	Qty	Unit
1.02	GXA000399035D	POWER CASE	強電箱(SIEMENS/HEIDENHAIN)	L1030XW1200XH500	1.00	EA
2.00	MS 0104017	SOCKET HEAD CAP SCREW	六角穴圓頭螺絲	M10XP1.5XL16	6.00	EA
3.00	MW 0184010	SPRING WASHER	彈簧墊圈	M10(HEAT TREATMENT)	6.00	EA
4.00	GX 000999090D	PLATE,WIRE OUTLET	出線板	L166XW100XH2.3	1.00	EA
5.00	MS 0103414	SOCKET HEAD CAP SCREW	六角穴圓頭螺絲	M4XP0.7XL8	4.00	EA
6.00	MW 0183410	SPRING WASHER	彈簧墊圈	M4(HEAT TREATMENT)	4.00	EA
7.00	GXA000199033D	FRONT COVER,POWER CASE	強電箱前蓋	L1200XW277XH38	1.00	EA
8.00	MS 0303516	BUTTON HD. SOCKET	六角穴半圓頭螺絲	M5XP0.8XL12	6.00	EA
9.00	MW 0183510	SPRING WASHER	彈簧墊圈	M5(HEAT TREATMENT)	6.00	EA
10.00	NV 000199010D	PLATE, WIRE OUTLET	出線板	L320XW80XH2.3	1.00	EA
11.00	GX 000399086D	BRACKET, MAIN SWITCH	主開關托架	L325XW286XH45	1.00	EA
12.00	GX 000199037D	COVER	護蓋	L513.4XW402.3XH30	1.00	EA
13.00	GX 000199038D	COVER	護蓋	L865XW402.3XH12	1.00	EA
14.00	NV 000799028B	SEAT, POWER CASE	護蓋支撐座	L120.7XW70XH30	1.00	EA
15.00	MS 0103617	SOCKET HEAD CAP SCREW	六角穴圓頭螺絲	M6XP1.0XL16	3.00	EA
16.00	MW 0183610	SPRING WASHER	彈簧墊圈	M6(HEAT TREATMENT)	3.00	EA
17.00	NVA000399037A	POWER SUPPLY SEAT	電源供應器固定座	L195XW120XH32.3(SIEMENS)	1.00	EA
18.00	MS 0103817	SOCKET HEAD CAP SCREW	六角穴圓頭螺絲	M8XP1.25XL16	8.00	EA
19.00	MW 0183810	SPRING WASHER	彈簧墊圈	M8(HEAT TREATMENT)	8.00	EA
20.00	MW 0103810	FLAT WASHER	平墊圈	M8 (D8*D22.2)	8.00	EA

## PRODUCT BOM MASTER AND SUB-ITEMS LIST

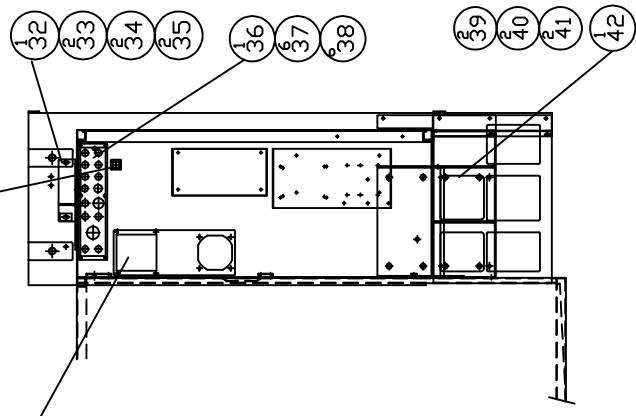
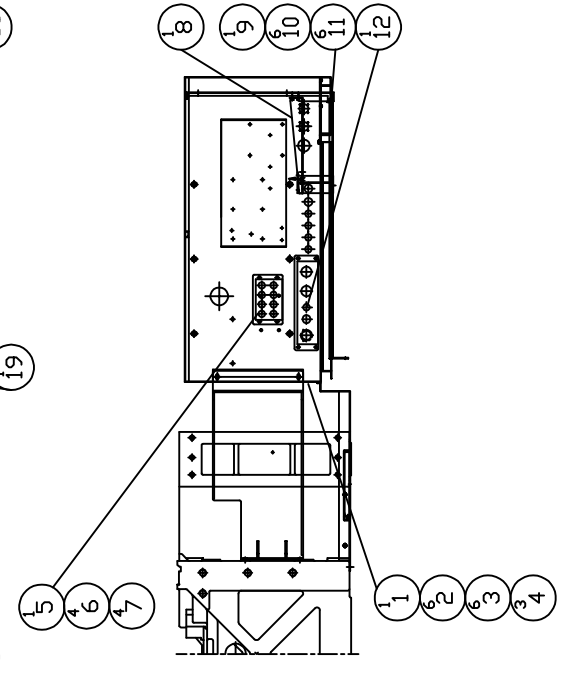
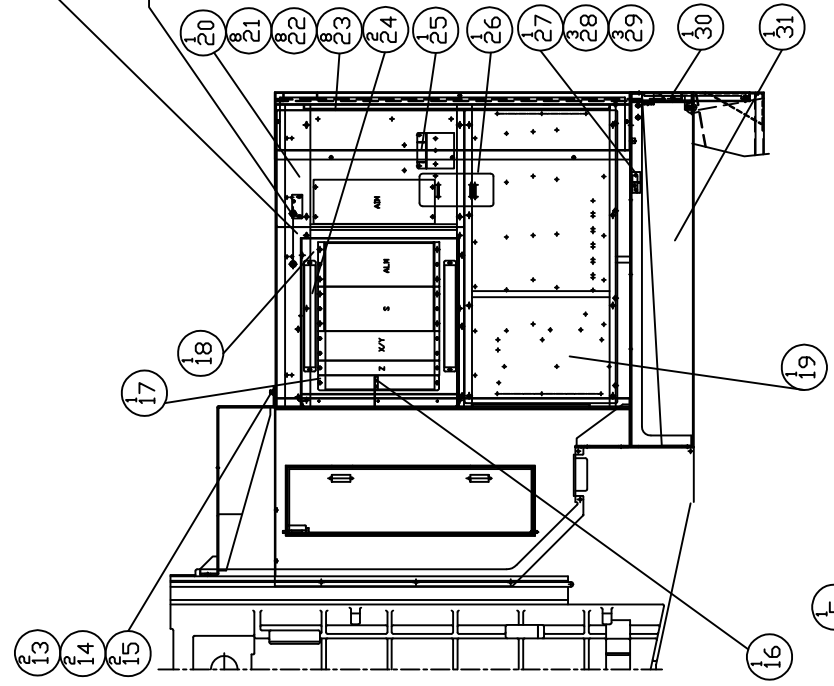
Item	Part NO.	Description	中文名稱	Specification	Qty	Unit
21.00	MS 0103817	SOCKET HEAD CAP SCREW	六角穴圓頭螺絲	M8XP1.25XL16	2.00	EA
22.00	MW 0183810	SPRING WASHER	彈簧墊圈	M8(HEAT TREATMENT)	2.00	EA
23.00	MW 0103810	FLAT WASHER	平墊圈	M8 (D8*D22.2)	2.00	EA
24.00	GX 000199032D	SUPPORT,POWER CASE	強電箱座	L1054XW376XH185	1.00	EA
25.00	MS 0104621	SOCKET HEAD CAP SCREW	六角穴圓頭螺絲	M16XP2.0XL35	4.00	EA
26.00	MW 0184610	SPRING WASHER	彈簧墊圈	M16(HEAT TREATMENT)	4.00	EA
27.00	MW 0183610	SPRING WASHER	彈簧墊圈	M6(HEAT TREATMENT)	2.00	EA
28.00	MW 0103610	FLAT WASHER	平墊圈	M6(D6*D19*H2)	2.00	EA
29.00	MS 0103617	SOCKET HEAD CAP SCREW	六角穴圓頭螺絲	M6XP1.0XL16	2.00	EA
30.00	GX 000199030D	PLATE,WIRE OUTLET	出線板	L372XW97XT2.3	1.00	EA
31.00	MS 0103515	SOCKET HEAD CAP SCREW	六角穴圓頭螺絲	M5XP0.8XL10	6.00	EA
32.00	MW 0183510	SPRING WASHER	彈簧墊圈	M5(HEAT TREATMENT)	6.00	EA
33.00	GXA000199031D	PLATE, MOUNTING POWER CASE	固定板	L337XW305XH62	1.00	EA
34.01	GX 000499050D	PLATE, POWER CASE	支持板(SIEMENS)828D	L633XW533XH142(SIEMENS)	1.00	EA
35.01	GX 000499037D	PLATE,POWER CASE	強電板(下)	L990XW515XH2.3(SIEMENS-828D)	1.00	EA
36.00	NV 000199113A	BRACKE TPLATE, MAIN SWITCH	主開關托架護板	L250XW110XH1.0	1.00	EA
37.00	NV 00082310113	RING, C-RETAINING	C型內扣	R-12	3.00	EA
38.02	GX 000499036D	PLATE, POWER CASE	強電板(上)	L1000XW545XH2.3(SIEMENS-828D)	2.00	EA
39.00	NV 000999029A	PLATE, WIRE	蓋板	L374XW40XT2.3	2.00	EA
40.00	NV 000999061A	PLATE	隔板	L408XW50XT2.3	1.00	EA
41.00	NV 000999091A	PLATE, SIEMENS828D, POWER CASE	蓋板 (SIEMENS 828D,無4/5軸使用)	L408.5XW50XT2.3	1.00	EA

REV	DESCRIPTION	DATE	ECN
A	新機種	2012/1/12	

特殊文機種利用  
 GX 00799045D(前門)  
 特殊機種利用  
 GX A000799045D(前門)  
 NV 000499020D(蓋板)

CE 前蓋固定座  
 XV 000599061L

無加蓋分層小櫃  
 NV 000999022A(蓋板)



MODEL: GX1600-#50-24T	PART NUMBER	GX 000415802G
POWER CASE(SIEMENS)828D		
強電箱(SIEMENS)828D	PAGE 1 OF 1	
DATE 2012/1/5	SCALE 1:27	REV. A

# PRODUCT BOM MASTER AND SUB-ITEMS LIST

\*\*\*\*\*

Master Item Part NO.: GX 000415802G

Description: POWER CASE(SIEMENS)

強電箱(SIEMENS)828D #50-24T

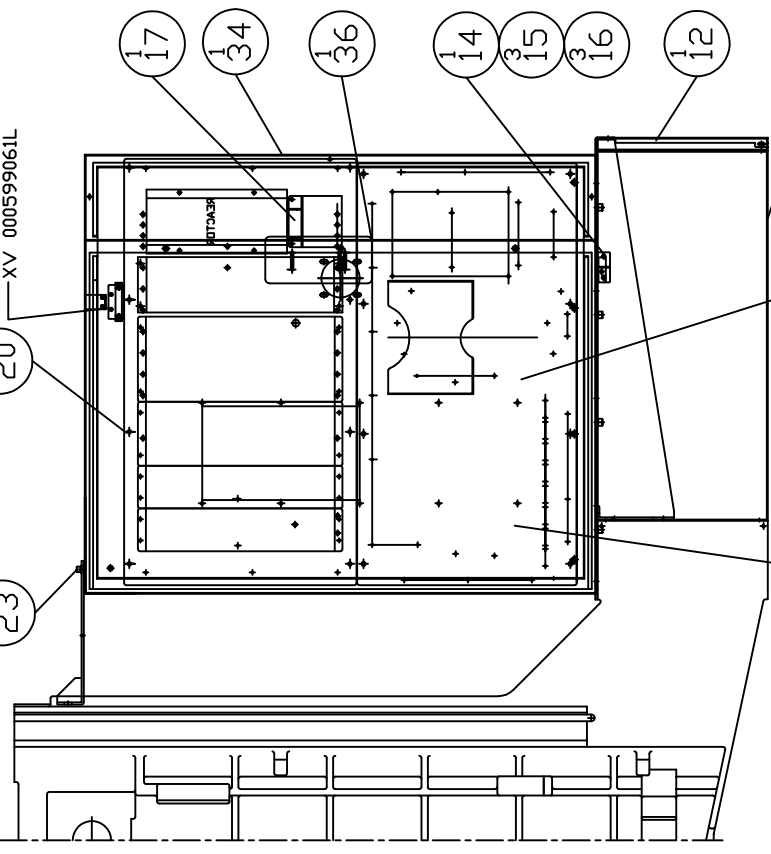
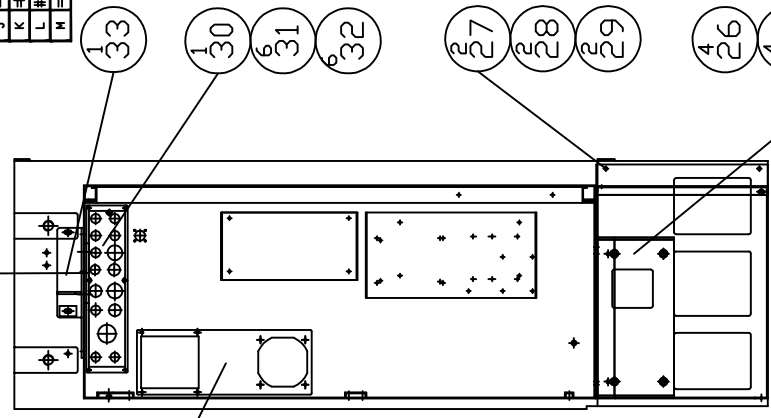
Item	Part NO.	Description	中文名稱	Specification	Qty	Unit
1.01	GXA000399035D	POWER CASE	強電箱(SIEMENS/HEIDENHAIN)	L1030XW1200XH500	1.00	EA
2.00	MS 0104017	SOCKET HEAD CAP SCREW	六角穴圓頭螺絲	M10XP1.5XL16	6.00	EA
3.00	MW 0184010	SPRING WASHER	彈簧墊圈	M10(HEAT TREATMENT)	6.00	EA
4.00	NV 00082310113	RING, C-RETAINING	C型內扣	R-12	3.00	EA
5.00	GX 000999090D	PLATE,WIRE OUTLET	出線板	L166XW100XH2.3	1.00	EA
6.00	MS 0103414	SOCKET HEAD CAP SCREW	六角穴圓頭螺絲	M4XP0.7XL8	4.00	EA
7.00	MW 0183410	SPRING WASHER	彈簧墊圈	M4(HEAT TREATMENT)	4.00	EA
8.00	GX 000399086D	BRACKET, MAIN SWITCH	主開關托架	L325XW286XH45	1.00	EA
9.00	GXA000199033D	FRONT COVER,POWER CASE	強電箱前蓋	L1200XW277XH38	1.00	EA
10.00	MS 0303516	BUTTON HD. SOCKET	六角穴半圓頭螺絲	M5XP0.8XL12	6.00	EA
11.00	MW 0183510	SPRING WASHER	彈簧墊圈	M5(HEAT TREATMENT)	6.00	EA
12.00	NV 000199010D	PLATE, WIRE OUTLET	出線板	L320XW80XH2.3	1.00	EA
13.00	MS 0103817	SOCKET HEAD CAP SCREW	六角穴圓頭螺絲	M8XP1.25XL16	2.00	EA
14.00	MW 0183810	SPRING WASHER	彈簧墊圈	M8(HEAT TREATMENT)	2.00	EA
15.00	MW 0103810	FLAT WASHER	平墊圈	M8 (D8*D22.2)	2.00	EA
16.00	NV 000999091A	PLATE, SIEMENS828D, POWER CASE	蓋板 (SIEMENS 828D,無4/5軸使用)	L408.5XW50XT2.3	1.00	EA
17.00	NV 000999061A	PLATE	隔板	L408XW50XT2.3	1.00	EA
18.01	GX 000499050D	PLATE, POWER CASE	支持板(SIEMENS)828D	L633XW533XH142(SIEMENS)	1.00	EA
19.00	GX 000499037D	PLATE,POWER CASE	強電板(下)	L990XW515XH2.3(SIEMENS-828D)	1.00	EA
20.01	GX 000499036D	PLATE, POWER CASE	強電板(上)	L1000XW545XH2.3(SIEMENS-828D)	1.00	EA

PRODUCT BOM MASTER AND SUB-ITEMS LIST  
\*\*\*\*\*

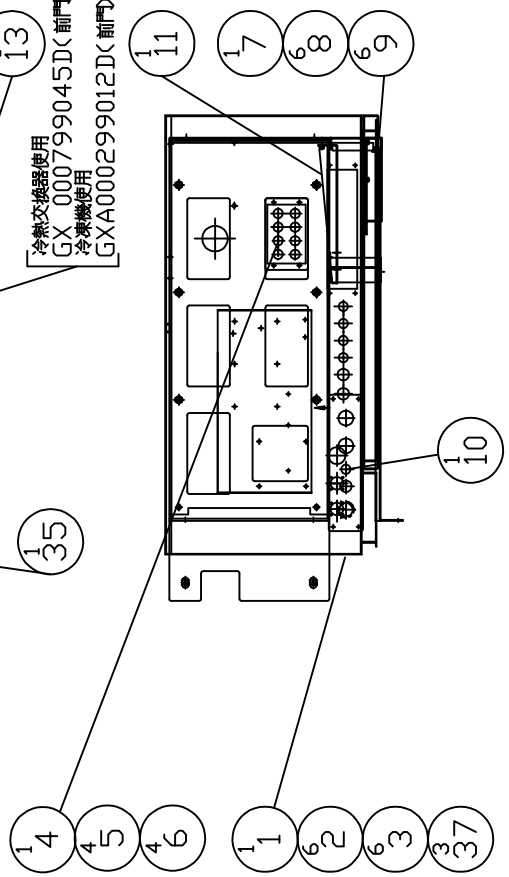
Item	Part NO.	Description	中文名稱	Specification	Qty	Unit
21.00	MS 0103817	SOCKET HEAD CAP SCREW	六角穴圓頭螺絲	M8XP1.25XL16	8.00	EA
22.00	MW 0183810	SPRING WASHER	彈簧墊圈	M8(HEAT TREATMENT)	8.00	EA
23.00	MW 0103810	FLAT WASHER	平墊圈	M8 (D8*D22.2)	8.00	EA
24.00	NV 000999029A	PLATE, WIRE	蓋板	L374XW40XT2.3	2.00	EA
25.00	NVA000399037A	POWER SUPPLY SEAT	電源供應器固定座	L195XW120XH32.3(SIEMENS)	1.00	EA
26.00	NV 000199113A	BRACKE TPLATE, MAIN SWITCH	主開關托架護板	L250XW110XH1.0	1.00	EA
27.00	NV 000799028B	SEAT, POWER CASE	護蓋支撐座	L120.7XW70XH30	1.00	EA
28.00	MS 0103617	SOCKET HEAD CAP SCREW	六角穴圓頭螺絲	M6XP1.0XL16	3.00	EA
29.00	MW 0183610	SPRING WASHER	彈簧墊圈	M6(HEAT TREATMENT)	3.00	EA
30.00	GX 000199037G	COVER	護蓋(GX1600#50-24T)	L497.4XW59X212.3	1.00	EA
31.00	GX 000199038G	COVER	護蓋(GX1600#50-24T)	L1167.7XW400XH89	1.00	EA
32.00	GX 000199031G	PLATE,MOUNTING POWER CASE	固定板(GX1600#50-24T)	L637XW305XH252	1.00	EA
33.00	MS 0103817	SOCKET HEAD CAP SCREW	六角穴圓頭螺絲	M8XP1.25XL16	2.00	EA
34.00	MW 0183810	SPRING WASHER	彈簧墊圈	M8(HEAT TREATMENT)	2.00	EA
35.00	MW 0103810	FLAT WASHER	平墊圈	M8 (D8*D22.2)	2.00	EA
36.00	GX 000199030D	PLATE,WIRE OUTLET	出線板	L372XW97XT2.3	1.00	EA
37.00	MS 0103515	SOCKET HEAD CAP SCREW	六角穴圓頭螺絲	M5XP0.8XL10	6.00	EA
38.00	MW 0183510	SPRING WASHER	彈簧墊圈	M5(HEAT TREATMENT)	6.00	EA
39.00	MW 0183610	SPRING WASHER	彈簧墊圈	M6(HEAT TREATMENT)	2.00	EA
40.00	MW 0103610	FLAT WASHER	平墊圈	M6(D6*D19*H2)	2.00	EA
41.00	MS 0103617	SOCKET HEAD CAP SCREW	六角穴圓頭螺絲	M6XP1.0XL16	2.00	EA
42.00	GX 000199032G	SUPPORT,POWER CASE	強電箱座(GX1600#50-24T)	L1199XW376XH397	1.00	EA

N	#	/	#	7	GX-GXA, 增設#37	2028	REV	DESCRIPTION	DATE	ECN
D	無加裝分度盤介面	GX	000599022A		2011/13	2496	A	新增	2007/7/5	670
P	#4-NV	00059901D-GX	00059909D		2011/2/14	2542	B	24個分度盤增加6個螺絲, Ø3.0沉頭	2007/9/10	792
Q	新增#38-GX	000499020D			2011/4/28	2624	C	新增螺絲#38	2007/7/29	838
R	新增螺絲#38-NV	000499020D			2011/6/20	2654	D	新增螺絲#38-NV	2007/7/29	867
S	#34-NV	00059903D-GX	00059903D		2012/12/11	1003241	F	4 螺絲/新增螺絲 2 mm 沉頭	2009/1/28	995
							G	24 螺絲孔位, 板金變更	2009/7/10	1006
							H	新增 1 水壓, 板金變更	2009/6/10	1256
							I	新增 4 螺絲/板金變更	2009/6/17	1309
							J	新增 4 螺絲/板金變更	2009/6/28	1323
							K	新增 3 螺絲/板金變更	2009/6/28	1315
							L	新增, CTD螺絲KV	2009/7/18	1537
							M	新增 1 螺絲/板金變更	2009/12/11	1638

無加裝分度盤介面  
NV 000599022A<蓋板>



冷熱交換器使用  
GX 000799045D<前門>  
冷凍機使用  
GXA000299012D<前門>



MODEL: GX1300/GX1600-#40/#50
PART NAME: POWER CASE<HEIDENHAIN>
PART NUMBER: GX 000415803D
引継電機系統<HEIDENHAIN>
DATE: 2007/7/5
SCALE: 1:21
REV: S

\*\*\*\*\*  
**PRODUCT BOM MASTER AND SUB-ITEMS LIST**  
 \*\*\*\*\*

Master Item Part NO.: GX 000415803D

Description: POWER CASE(HEIDENHAIN)  
強電箱(HEIDENHAIN)

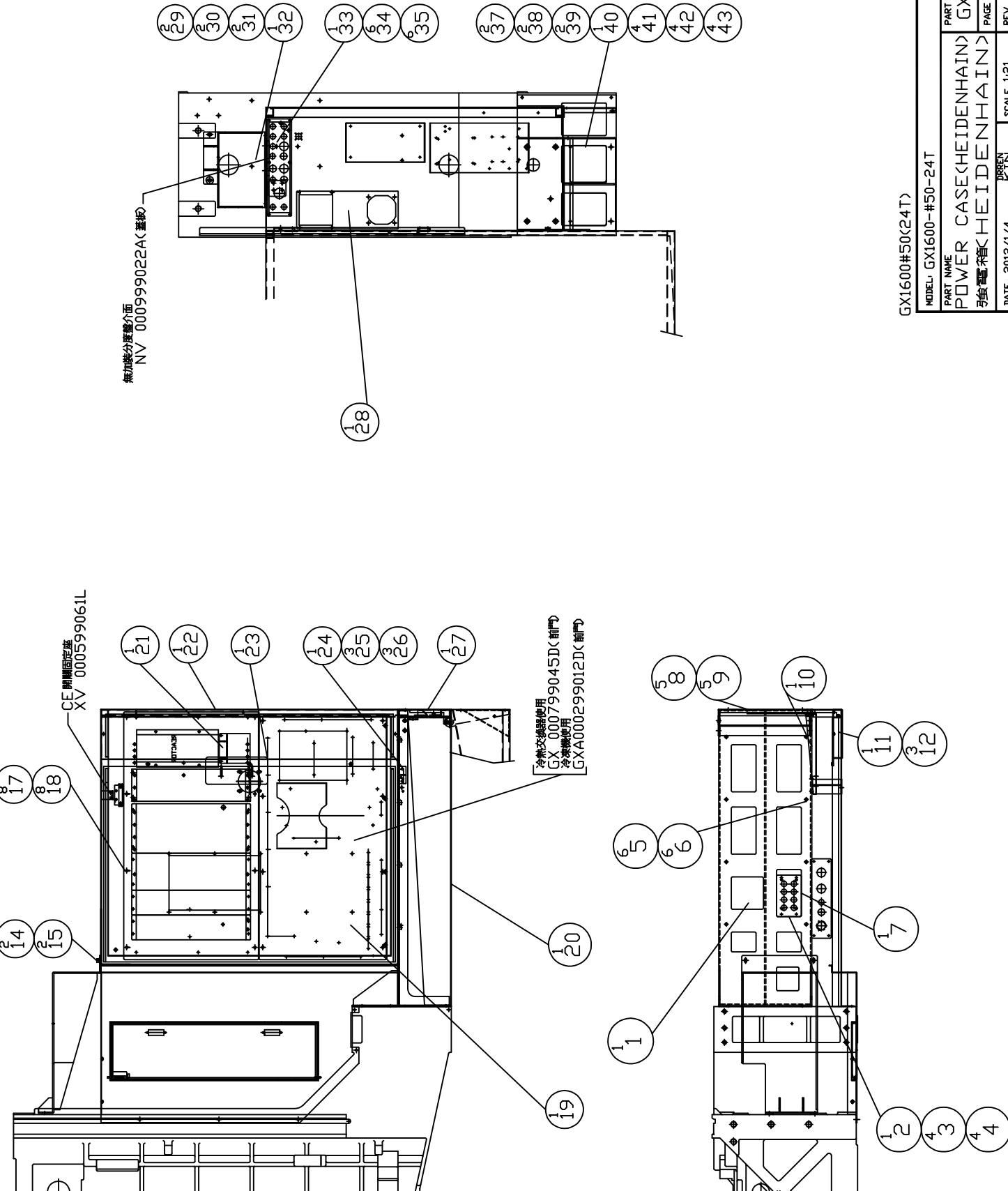
Item	Part NO.	Description	中文名稱	Specification	Qty	Unit
1.10	GXA000399035D	POWER CASE	強電箱(SIEMENS/HEIDENHAIN)	L1030XW1200XH500	1.00	EA
2.00	MS 0104017	SOCKET HEAD CAP SCREW	六角穴圓頭螺絲	M10XP1.5XL16	6.00	EA
3.00	MW 0184010	SPRING WASHER	彈簧墊圈	M10(HEAT TREATMENT)	6.00	EA
4.04	GX 000999090D	PLATE,WIRE OUTLET	出線板	L166XW100XH2.3	1.00	EA
5.00	MS 0103414	SOCKET HEAD CAP SCREW	六角穴圓頭螺絲	M4XP0.7XL8	4.00	EA
6.00	MW 0183410	SPRING WASHER	彈簧墊圈	M4(HEAT TREATMENT)	4.00	EA
7.01	GXA000199033D	FRONT COVER,POWER CASE	強電箱前蓋	L1200XW277XH38	1.00	EA
8.00	MS 0303516	BUTTON HD. SOCKET	六角穴半圓頭螺絲	M5XP0.8XL12	6.00	EA
9.00	MW 0183510	SPRING WASHER	彈簧墊圈	M5(HEAT TREATMENT)	6.00	EA
10.01	NV 000199010D	PLATE, WIRE OUTLET	出線板	L320XW80XH2.3	1.00	EA
11.02	GX 000399086D	BRACKET, MAIN SWITCH	主開關托架	L325XW286XH45	1.00	EA
12.00	GX 000199037D	COVER	護蓋	L513.4XW402.3XH30	1.00	EA
13.00	GX 000199038D	COVER	護蓋	L865XW402.3XH12	1.00	EA
14.00	NV 000799028B	SEAT, POWER CASE	護蓋支撐座	L120.7XW70XH30	1.00	EA
15.00	MS 0103617	SOCKET HEAD CAP SCREW	六角穴圓頭螺絲	M6XP1.0XL16	3.00	EA
16.00	MW 0183610	SPRING WASHER	彈簧墊圈	M6(HEAT TREATMENT)	3.00	EA
17.00	NVA000399037A	POWER SUPPLY SEAT	電源供應器固定座	L195XW120XH32.3(SIEMENS)	1.00	EA
18.00	MS 0103817	SOCKET HEAD CAP SCREW	六角穴圓頭螺絲	M8XP1.25XL16	8.00	EA
19.00	MW 0183810	SPRING WASHER	彈簧墊圈	M8(HEAT TREATMENT)	8.00	EA
20.00	MW 0103810	FLAT WASHER	平墊圈	M8 (D8*D22.2)	8.00	EA



PRODUCT BOM MASTER AND SUB-ITEMS LIST  
\*\*\*\*\*

Item	Part NO.	Description	中文名稱	Specification	Qty	Unit
21.00	MS 0103817	SOCKET HEAD CAP SCREW	六角六圓頭螺絲	M8XP1.25XL16	2.00	EA
22.00	MW 0183810	SPRING WASHER	彈簧墊圈	M8(HEAT TREATMENT)	2.00	EA
23.00	MW 0103810	FLAT WASHER	平墊圈	M8 (D8*D22.2)	2.00	EA
24.02	GX 000199032D	SUPPORT,POWER CASE	強電箱座	L1054XW376XH185	1.00	EA
25.00	MS 0104621	SOCKET HEAD CAP SCREW	六角六圓頭螺絲	M16XP2.0XL35	4.00	EA
26.00	MW 0184610	SPRING WASHER	彈簧墊圈	M16(HEAT TREATMENT)	4.00	EA
27.00	MW 0183610	SPRING WASHER	彈簧墊圈	M6(HEAT TREATMENT)	2.00	EA
28.00	MW 0103610	FLAT WASHER	平墊圈	M6(D6*D19*H2)	2.00	EA
29.00	MS 0103617	SOCKET HEAD CAP SCREW	六角六圓頭螺絲	M6XP1.0XL16	2.00	EA
30.01	GX 000399047D	PLATE,WIRE OUTLET	出線板	L372XW97XT2.3	1.00	ST
31.00	MS 0103515	SOCKET HEAD CAP SCREW	六角六圓頭螺絲	M5XP0.8XL10	6.00	EA
32.00	MW 0183510	SPRING WASHER	彈簧墊圈	M5(HEAT TREATMENT)	6.00	EA
33.00	GXA000199031D	PLATE, MOUNTING POWER CASE	固定板	L337XW305XH62	1.00	EA
34.01	GX 000799040D	PLATE, POWER CASE	強電板(上)	L1000XW545XH2.3	1.00	EA
35.02	NVA000599070D	PLATE, POWER CASE	強電板(下)	L990XW515XH2.3(HEIDENHAIN)	1.00	EA
36.00	NV 000199113A	BRACKE TPLATE, MAIN SWITCH	主開關托架護板	L250XW110XH1.0	1.00	EA
37.00	NV 00082310113	RING, C-RETAINING	C型內扣	R-12	3.00	EA
38.00	GX 000499020D	COVER	蓋板	L405XW152XH2.3	1.00	ST

REV	DESCRIPTION	DATE	ECN
A	新機種	2012/1/12	
B	#E2-NV_000999030P-X& 000999030D 000999030E 000999030F	2012/2/14	1003244



GX1600#50(24T)

MODEL: GX1600-#50-24T	PART NUMBER: GX 000415803G
POWER CASE<HEIDENHAIN>	PAGE 1 OF 1
引線電路箱<HEIDENHAIN>	REV. B
DATE 2012/1/4	SCALE 1:21

\*\*\*\*\*  
PRODUCT BOM MASTER AND SUB-ITEMS LIST  
\*\*\*\*\*

Master Item Part NO.: GX 000415803G

Description: POWER CASE(HEIDENHAIN)  
強電箱(HEIDENHAIN)#50-24T

Item	Part NO.	Description	中文名稱	Specification	Qty	Unit
1.01	GXA000399035D	POWER CASE	強電箱(SIEMENS/HEIDENHAIN)	L1030XW1200XH500	1.00	EA
2.00	GX 000999090D	PLATE,WIRE OUTLET	出線板	L166XW100XH2.3	1.00	EA
3.00	MS 0103414	SOCKET HEAD CAP SCREW	六角穴圓頭螺絲	M4XP0.7XL8	4.00	EA
4.00	MW 0183410	SPRING WASHER	彈簧墊圈	M4(HEAT TREATMENT)	4.00	EA
5.00	MS 0104017	SOCKET HEAD CAP SCREW	六角穴圓頭螺絲	M10XP1.5XL16	6.00	EA
6.00	MW 0184010	SPRING WASHER	彈簧墊圈	M10(HEAT TREATMENT)	6.00	EA
7.00	NV 000199010D	PLATE, WIRE OUTLET	出線板	L320XW80XH2.3	1.00	EA
8.00	MS 0303516	BUTTON HD. SOCKET	六角穴半圓頭螺絲	M5XP0.8XL12	5.00	EA
9.00	MW 0183510	SPRING WASHER	彈簧墊圈	M5(HEAT TREATMENT)	5.00	EA
10.00	GX 000399086D	BRACKET, MAIN SWITCH	主開關托架	L325XW286XH45	1.00	EA
11.00	GXA000199033D	FRONT COVER,POWER CASE	強電箱前蓋	L1200XW277XH38	1.00	EA
12.00	NV 00082310113	RING, C-RETAINING	C型內扣	R-12	3.00	EA
13.00	MS 0103817	SOCKET HEAD CAP SCREW	六角穴圓頭螺絲	M8XP1.25XL16	2.00	EA
14.00	MW 0183810	SPRING WASHER	彈簧墊圈	M8(HEAT TREATMENT)	2.00	EA
15.00	MW 0103810	FLAT WASHER	平墊圈	M8 (D8*D22.2)	2.00	EA
16.00	MS 0103817	SOCKET HEAD CAP SCREW	六角穴圓頭螺絲	M8XP1.25XL16	8.00	EA
17.00	MW 0183810	SPRING WASHER	彈簧墊圈	M8(HEAT TREATMENT)	8.00	EA
18.00	MW 0103810	FLAT WASHER	平墊圈	M8 (D8*D22.2)	8.00	EA
19.00	NVA000599070D	PLATE, POWER CASE	強電板(下)	L990XW515XH2.3(HEIDENHAIN)	1.00	EA
20.00	GX 000199038G	COVER	護蓋(GX1600#50-24T)	L1167.7XW400XH89	1.00	EA

\*\*\*\*\*  
**PRODUCT BOM MASTER AND SUB-ITEMS LIST**  
 \*\*\*\*\*

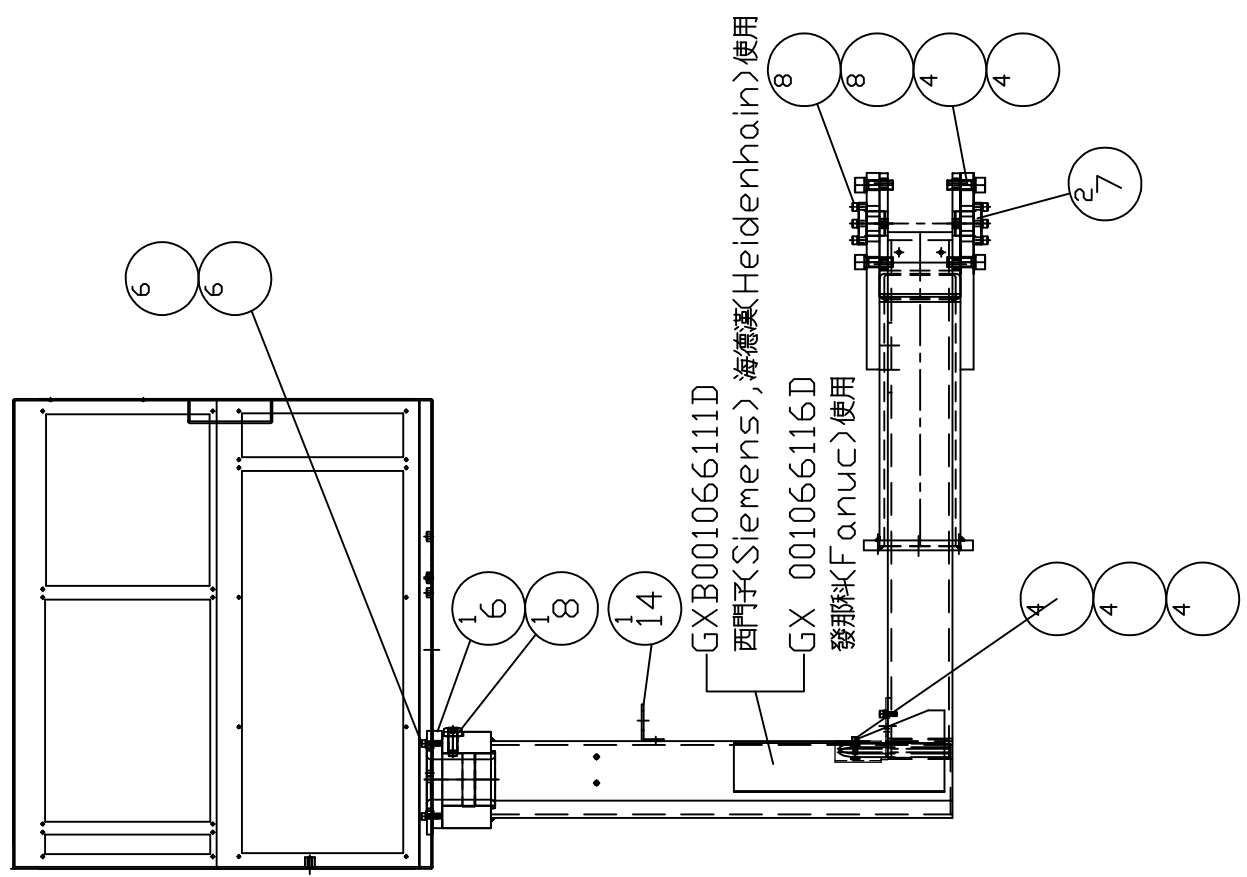
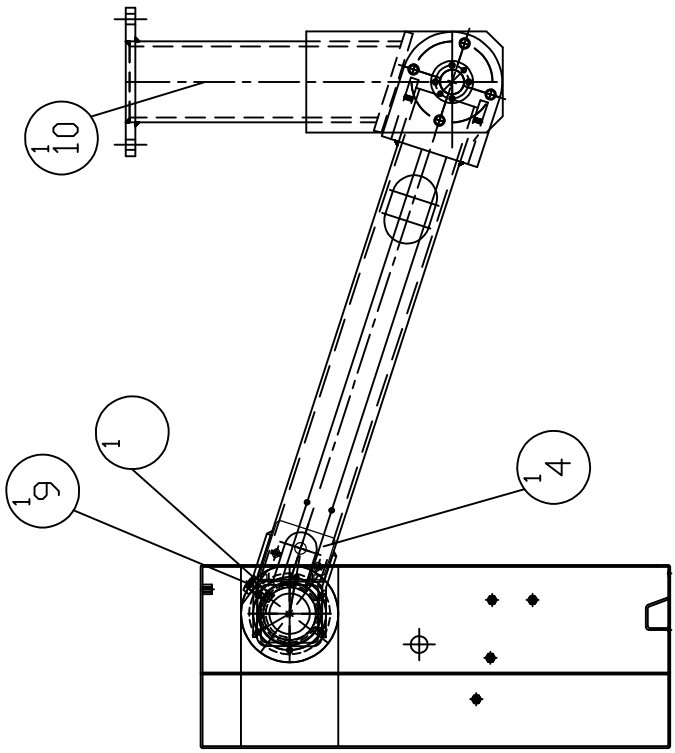
Item	Part NO.	Description	中文名稱	Specification	Qty	Unit
21.00	NVA000399037A	POWER SUPPLY SEAT	電源供應器固定座	L195XW120XH32.3(SIEMENS)	1.00	EA
22.01	GX 000799040D	PLATE, POWER CASE	強電板(上)	L1000XW545XH2.3	1.00	EA
23.00	NV 000199113A	BRACKE TPLATE, MAIN SWITCH	主開關托架護板	L250XW110XH1.0	1.00	EA
24.00	NV 000799028B	SEAT, POWER CASE	護蓋支撐座	L120.7XW70XH30	1.00	EA
25.00	MS 0103617	SOCKET HEAD CAP SCREW	六角穴圓頭螺絲	M6XP1.0XL16	3.00	EA
26.00	MW 0183610	SPRING WASHER	彈簧墊圈	M6(HEAT TREATMENT)	3.00	EA
27.00	GX 000199037G	COVER	護蓋(GX1600#50-24T)	L497.4XW59X212.3	1.00	EA
28.00	GX 000499020D	COVER	蓋板	L405XW152XH2.3	1.00	EA
29.00	MS 0103817	SOCKET HEAD CAP SCREW	六角穴圓頭螺絲	M8XP1.25XL16	2.00	EA
30.00	MW 0183810	SPRING WASHER	彈簧墊圈	M8(HEAT TREATMENT)	2.00	EA
31.00	MW 0103810	FLAT WASHER	平墊圈	M8 (D8*D22.2)	2.00	EA
32.00	GX 000199031G	PLATE,MOUNTING POWER CASE	固定板(GX1600#50-24T)	L637XW305XH252	1.00	EA
33.00	GX 000399047D	PLATE,WIRE OUTLET	出線板	L372XW97XT2.3	1.00	EA
34.00	MS 0103515	SOCKET HEAD CAP SCREW	六角穴圓頭螺絲	M5XP0.8XL10	6.00	EA
35.00	MW 0183510	SPRING WASHER	彈簧墊圈	M5(HEAT TREATMENT)	6.00	EA
37.00	MW 0183610	SPRING WASHER	彈簧墊圈	M6(HEAT TREATMENT)	2.00	EA
38.00	MW 0103610	FLAT WASHER	平墊圈	M6(D6*D19*H2)	2.00	EA
39.00	MS 0103617	SOCKET HEAD CAP SCREW	六角穴圓頭螺絲	M6XP1.0XL16	2.00	EA
40.00	GX 000199032G	SUPPORT,POWER CASE	強電箱座(GX1600#50-24T)	L1199XW376XH397	1.00	EA
41.00	MW 0183610	SPRING WASHER	彈簧墊圈	M6(HEAT TREATMENT)	4.00	EA
42.00	MW 0103610	FLAT WASHER	平墊圈	M6(D6*D19*H2)	4.00	EA
43.00	MS 0103617	SOCKET HEAD CAP SCREW	六角穴圓頭螺絲	M6XP1.0XL16	4.00	EA

# **Chapter 7**

操作箱

**Operating Cabinet**

REV	DESCRIPTION	DATE	ECN
A	新行機	2006/12/11	301
B	#11改機GX-A001066111D	2007/2/13	474
C	#11改機GX-A001066111D	2007/2/13	474
D	#11改機GX-A001066111D	2007/2/13	474
E	#11改機GX-A001066111D	2007/2/13	474
F	#11改機GX-A001066111D	2007/2/13	474
G	#11改機GX-A001066111D	2007/2/13	474



MODEL: GX 1300#40/#50	PART NUMBER: GX 001045301D
PART NAME: OPERATOR PANEL-OPERATOR SHAFT	PAGE 1 OF 1
DATE: 2006/12/11	REV: G
SCALE: 1:10	REV: G

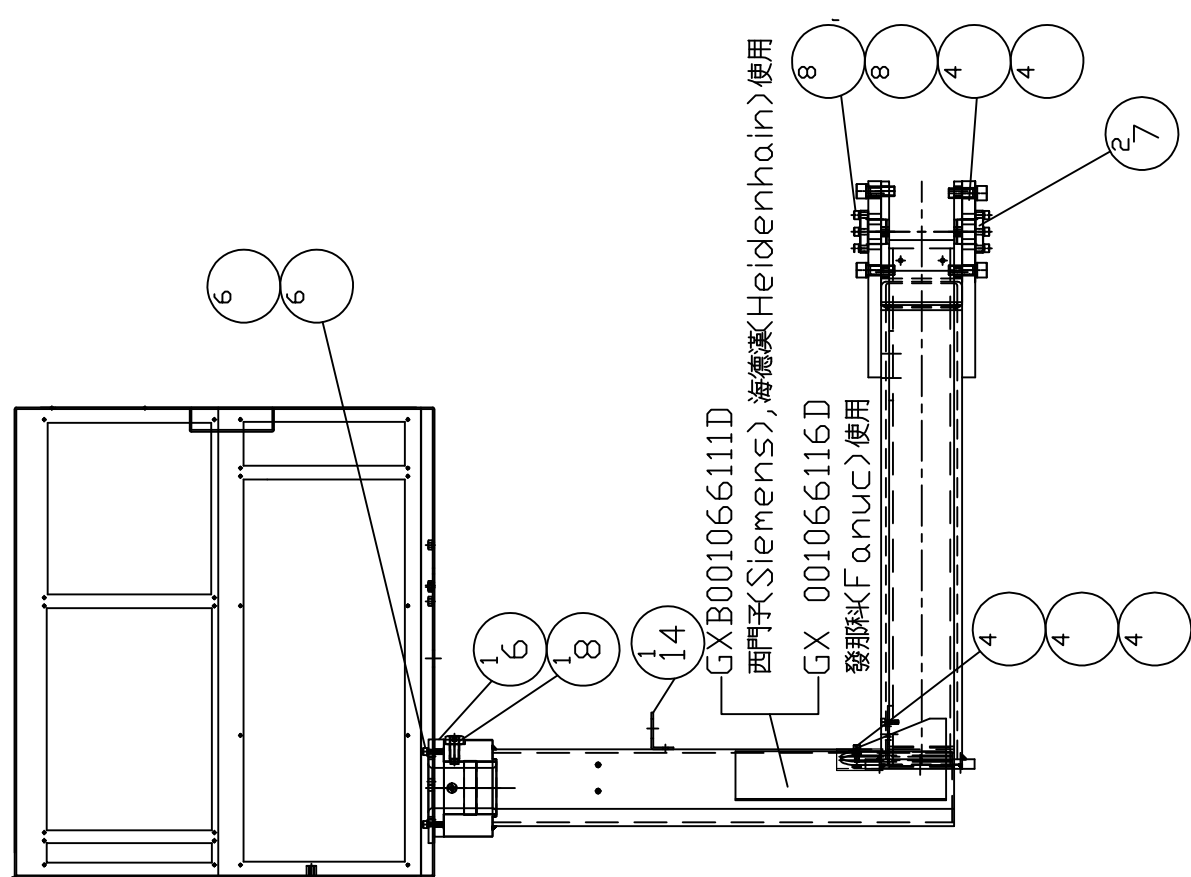
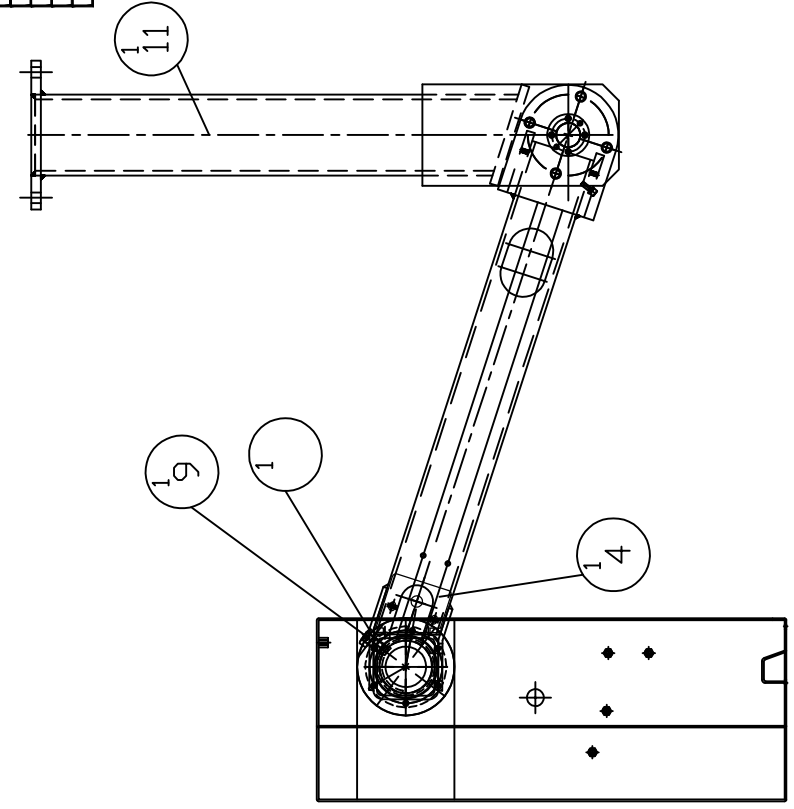
PRODUCT BOM MASTER AND SUB-ITEMS LIST  
\*\*\*\*\*

Master Item Part NO.: GX 001045301D

Description: OPERATOR CABINE-OPERATOR SHAFT  
操作箱-操作桿

Item	Part NO.	Description	中文名稱	Specification	Qty	Unit
4.07	GXC000199047D	UPPER COVER,OPERATOR SHAFT	操作桿上蓋	L88XW80XH65	1.00	EA
6.03	GXA000403800D	SHAFT,OPERATOR PANEL	操作箱轉軸	D120XD50XH84.3	1.00	EA
7.01	GX 000403801D	POLE,OPERATOR BRACKET	固定桿旋轉軸	D52XD30XL33	2.00	EA
8.04	GXA000403802D	BUSHING,OPERATOR PANEL SHAFT	旋轉軸套	D120XD65XH65	1.00	EA
9.01	GXA000668401D	SOC SET,HALF DOG	桿頭端固定螺絲	M12XP1.75XL35	1.00	EA
10.05	GXC001066110D	OPERATOR FIXED BRACKET	操作箱固定桿	L465.7XW183.5XH135	1.00	EA
14.00	NV 000799044A	COVER	蓋板	L45.5XW40XH25	1.00	EA

REV	DESCRIPTION	DATE	ECN
A	新仕様	2006/12/11	301
B	#10 変更 GX A001066111D	2007/2/13	474
B	#10 変更 GX A001066111D	2007/2/13	474
C	#14 変更 GX C000799044D	2007/4/26	543
C	#14 変更 GX C000799044D	2007/4/26	543
D	#11 変更 GX C001066110E	2007/5/28	543
D	#11 変更 GX C001066110E	2007/5/28	543
E	#10 変更 GX C000799044D	2007/5/28	584
F	#10 変更 GX C000799044D	2007/5/28	584
G	#14 変更 GX C000799044D	2007/7/28	194C



MODEL: GX 1600#40/#50	PART NUMBER	GX 001045301E
OPERATOR PANEL-OPERATOR SHAFT	PAGE 1 OF 1	REV. G
DATE 2006/12/11	SCALE 1:10	REV. G



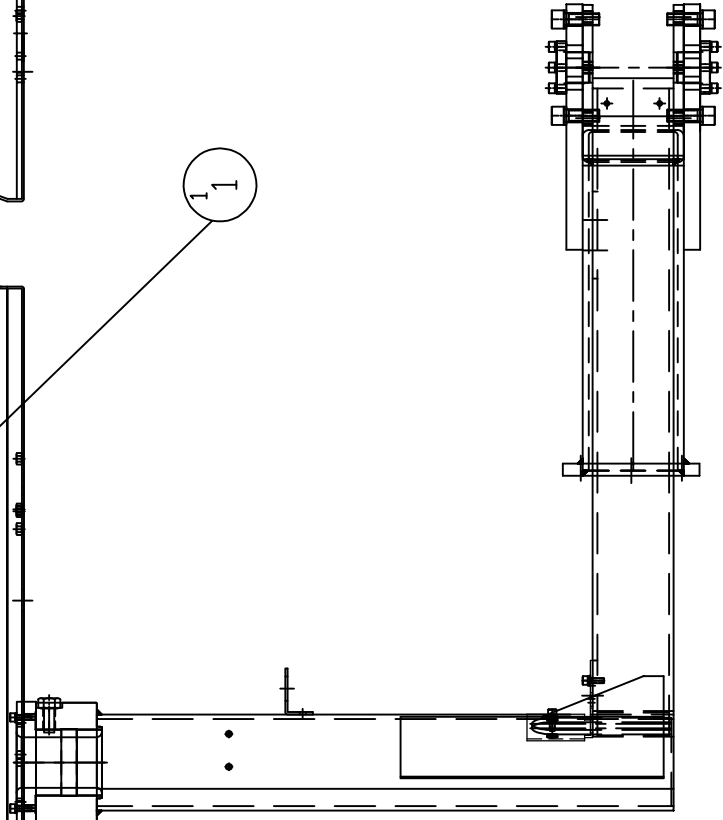
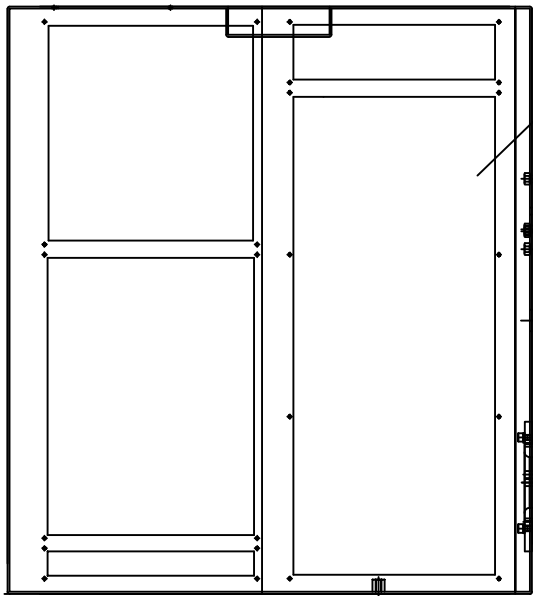
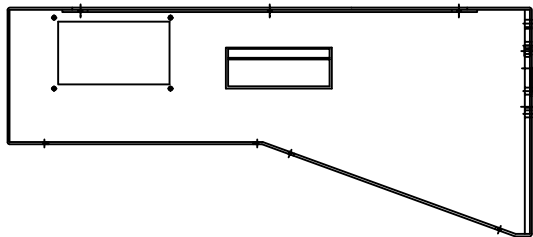
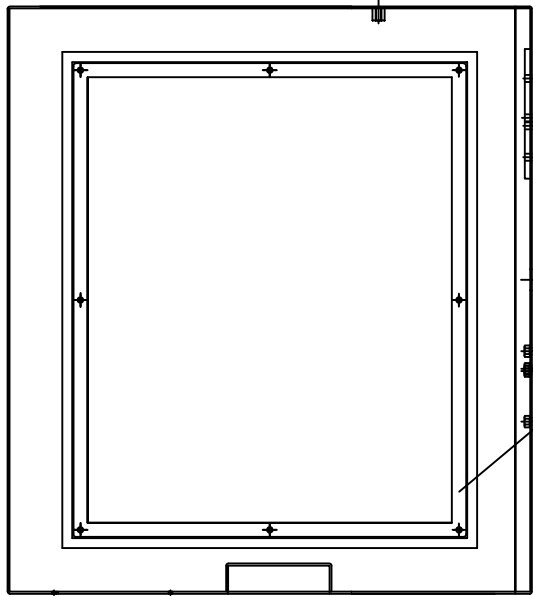
PRODUCT BOM MASTER AND SUB-ITEMS LIST  
\*\*\*\*\*

Master Item Part NO.: GX 001045301E

Description: OPERATOR CABINE-OPERATOR SHAFT  
操作箱-操作桿

Item	Part NO.	Description	中文名稱	Specification	Qty	Unit
4.08	GXC000199047D	UPPER COVER,OPERATOR SHAFT	操作桿上蓋	L88XW80XH65	1.00	EA
6.03	GXA000403800D	SHAFT,OPERATOR PANEL	操作箱轉軸	D120XD50XH84.3	1.00	EA
7.01	GX 000403801D	POLE,OPERATOR BRACKET	固定桿旋轉軸	D52XD30XL33	2.00	EA
8.04	GXA000403802D	BUSHING,OPERATOR PANEL SHAFT	旋轉軸套	D120XD65XH65	1.00	EA
9.01	GXA000668401D	SOC SET,HALF DOG	桿頭端固定螺絲	M12XP1.75XL35	1.00	EA
11.04	GXC001066110E	OPERATOR FIXED BRACKET	操作箱固定桿	L725.7XW183.5XH135	1.00	EA
14.00	NV 000799044A	COVER	蓋板	L45.5XW40XH25	1.00	EA

REV	DESCRIPTION	DATE	ECN
A	新仕様	2007/6/25	627



MODEL: GX 1300/1600-#40/#50	PART NUMBER	REV. A
OPERATOR CABINET<FANUC 01MC/18i>	GX 001045314D	
操作箱<FANUC 01MC/18i>	PAGE 1 OF 1	
DATE 2007/6/25	SHERRY KIM PHIL	SCALE 1:8

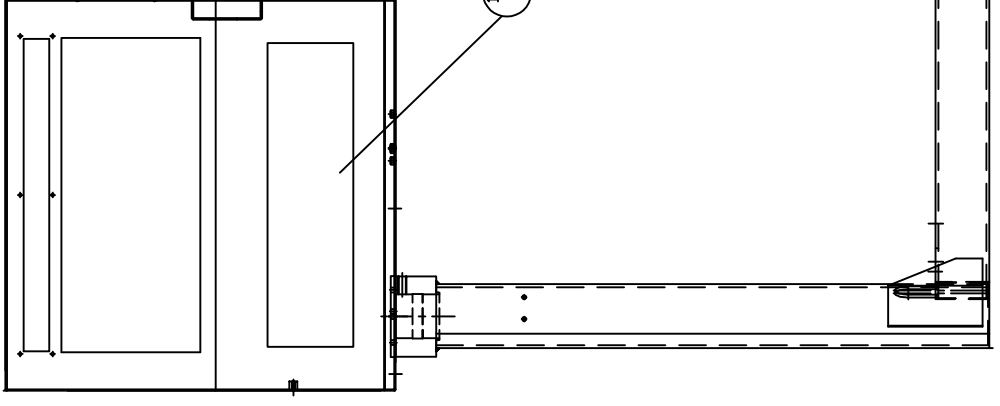
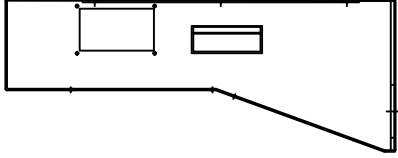
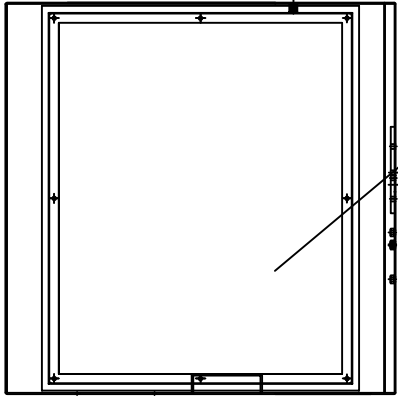
PRODUCT BOM MASTER AND SUB-ITEMS LIST  
\*\*\*\*\*

Master Item Part NO.: GX 001045314D

Description: OPERATOR CABINET(FANUC)  
操作箱(FANUC 0IMC/18I)

Item	Part NO.	Description	中文名稱	Specification	Qty	Unit
1.04	GX 000199036D	OPERATING PANEL CASE	操作箱 (FANUC)	L518XW580XH226	1.00	EA
2.00	NV 000399039A	REAR COVER, OPERATOR CABINET	操作箱後蓋	L468XW388XH2.3(SIEMENS)	1.00	EA

REV	DESCRIPTION	DATE	ECN
A	新仕様	2011/4/21	12324



MODEL: GX 1300/1600-#40/#50		PART NUMBER	
OPERATOR CABINET<FANUC 01MC/181>		GXA001045310D	
操作台箱<SIMENS828D>		PAGE 1 OF 1	
DATE 2011/4/21	DARREN KIM PHIL	SCALE 1:8	REV. A

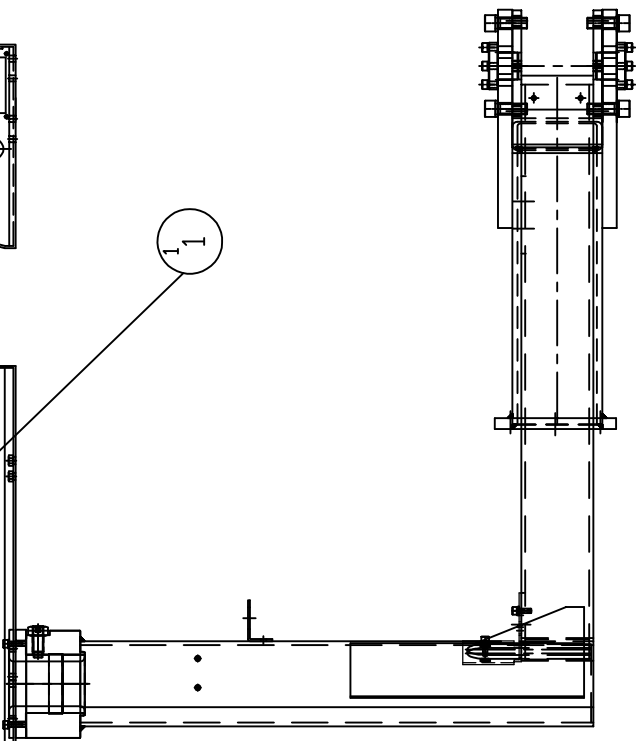
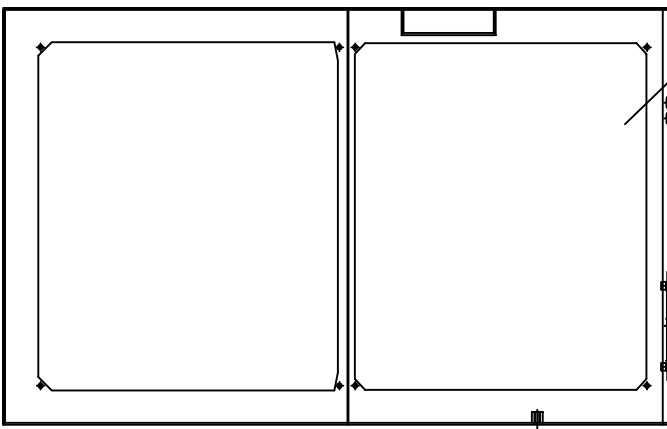
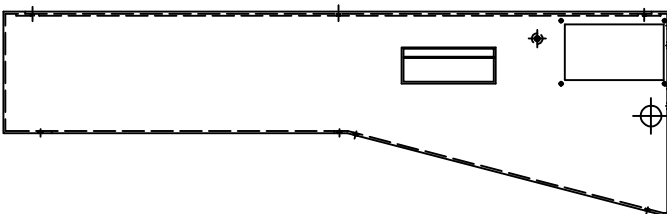
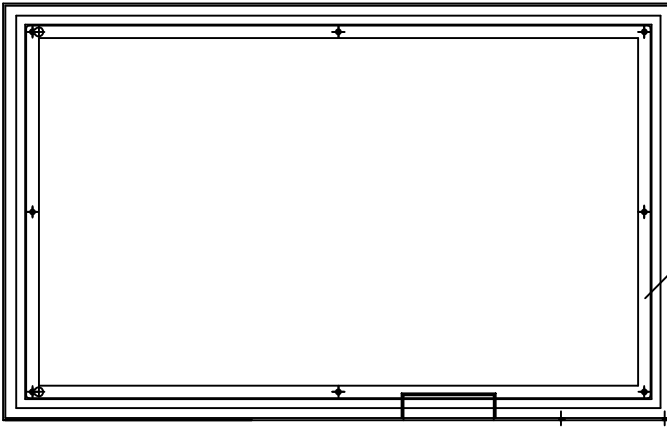
# PRODUCT BOM MASTER AND SUB-ITEMS LIST

Master Item Part NO.: GXA001045310D

Description: OPERATOR CABINET(SIEMENS)  
操作箱(SIEMENS)

Item	Part NO.	Description	中文名稱	Specification	Qty	Unit
1.03	GX 000299098D	OPERATING PANEL CASE	操作箱 (SIEMENS828D)	L578XW580XH226	1.00	EA
2.00	GX 000599002D	REAR COVER, OPERATOR CABINET	操作箱後蓋	L548XW388XH2.3(SIEMENS)	1.00	EA

REV	DESCRIPTION	DATE	ECN
A	新仕様	2007/6/25	627
B	#1 新仕様	2009/5/14	187
C	#50 00193681-G (00193141) (00193681-G)	2012/9/28	100308



MODEL: GX 1300/1600-#40/#50	PART NUMBER
OPERATOR CABINET<HEIDENHAIN>	GX 001045311D
操作系<HEIDENHAIN>	PAGE 1 OF 1
DATE 2007/6/25	REV. C
SHERRY KLIN PHIL	SCALE 1:9

PRODUCT BOM MASTER AND SUB-ITEMS LIST  
\*\*\*\*\*

Master Item Part NO.: GX 001045311D

Description: OPERATOR CABINET(HEIDENHAIN)  
操作箱(HEIDENHAIN)

Item	Part NO.	Description	中文名稱	Specification	Qty	Unit
1.07	GX 000199164D	OPERATING PANEL CASE, HEIDENHA	操作箱(海德漢ITNC530 HSCI)	L226XW470XH757	1.00	EA
2.00	GX 000499085D	REAR COVER, OPERATOR CABINET	操作箱後蓋(SIEMENS/HEIDENHAIN)	L414XW694XH2.3	1.00	EA

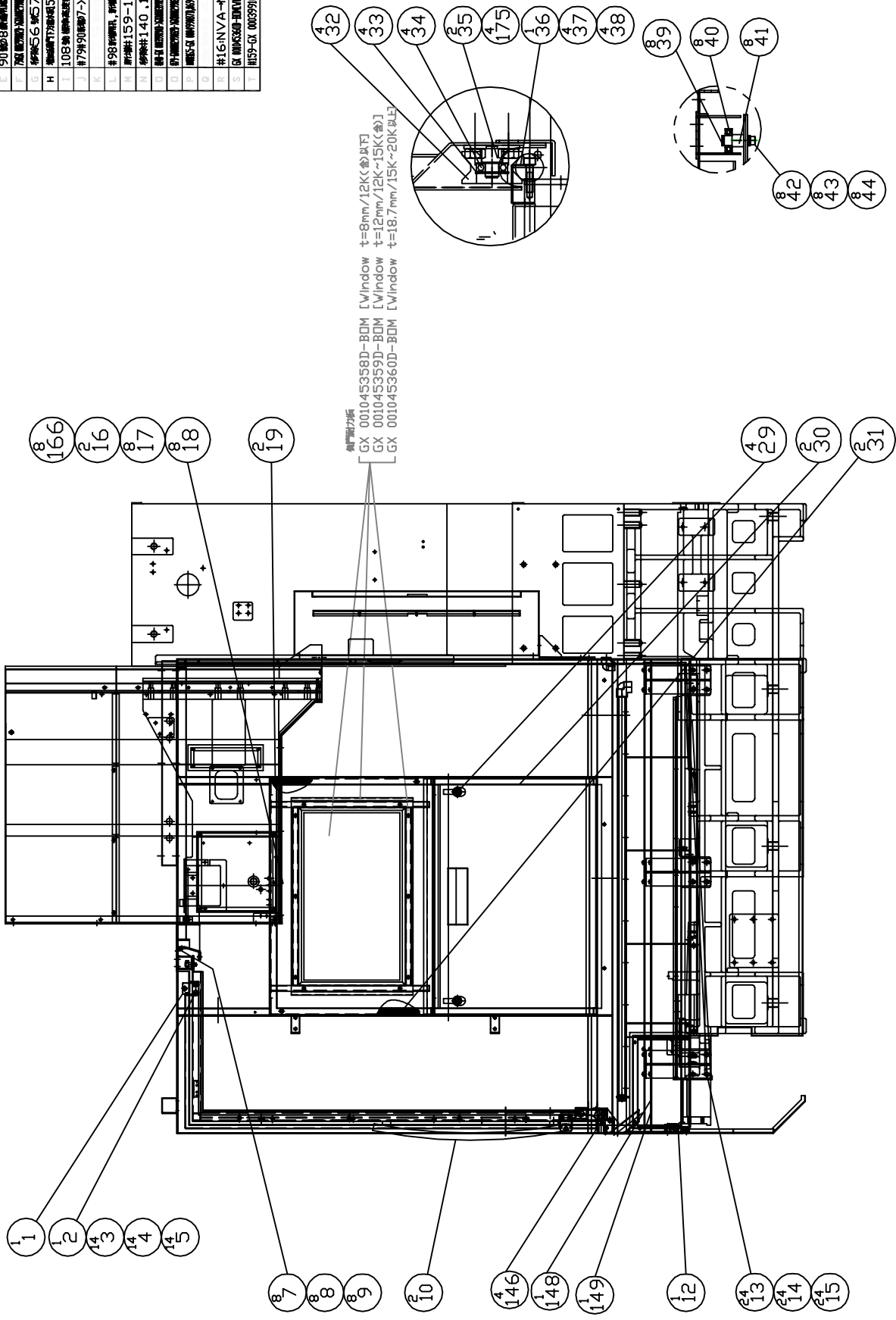
# **Chapter 8**

外型板金

**Enclosure Assm.**



REV	DESCRIPTION	DATE	EN
A	新仕様	2007/02/03	608
B	#16CX 001045330D-#BOM [Window t=6mm/12K(φ以下)]	2007/07/17	664
C	#16CX 001045335D-#BOM [Window t=12mm/12K(φ以下)]	2007/08/01	671
D	#16CX 001045336D-#BOM [Window t=18.7mm/15K~20K(φ以下)]	2007/08/02	76E
E	#16CX 001045337D-#BOM [Window t=18.7mm/15K~20K(φ以下)]	2007/08/02	79
F	#16CX 001045338D-#BOM [Window t=18.7mm/15K~20K(φ以下)]	2007/08/02	82
G	#16CX 001045339D-#BOM [Window t=18.7mm/15K~20K(φ以下)]	2007/08/02	85
H	#16CX 001045340D-#BOM [Window t=18.7mm/15K~20K(φ以下)]	2007/08/02	104B
I	#16CX 001045341D-#BOM [Window t=18.7mm/15K~20K(φ以下)]	2007/08/02	106B
J	#16CX 001045342D-#BOM [Window t=18.7mm/15K~20K(φ以下)]	2007/08/02	105
K	#16CX 001045343D-#BOM [Window t=18.7mm/15K~20K(φ以下)]	2007/08/02	105
L	#16CX 001045344D-#BOM [Window t=18.7mm/15K~20K(φ以下)]	2007/08/02	105
M	#16CX 001045345D-#BOM [Window t=18.7mm/15K~20K(φ以下)]	2007/08/02	105
N	#16CX 001045346D-#BOM [Window t=18.7mm/15K~20K(φ以下)]	2007/08/02	105
O	#16CX 001045347D-#BOM [Window t=18.7mm/15K~20K(φ以下)]	2007/08/02	105
P	#16CX 001045348D-#BOM [Window t=18.7mm/15K~20K(φ以下)]	2007/08/02	105
Q	#16CX 001045349D-#BOM [Window t=18.7mm/15K~20K(φ以下)]	2007/08/02	105
R	#16CX 001045350D-#BOM [Window t=18.7mm/15K~20K(φ以下)]	2007/08/02	105
S	#16CX 001045351D-#BOM [Window t=18.7mm/15K~20K(φ以下)]	2007/08/02	105
T	#16CX 001045352D-#BOM [Window t=18.7mm/15K~20K(φ以下)]	2007/08/02	105



4 32  
 4 33  
 4 34  
 4 35  
 4 175  
 4 36  
 4 37  
 4 38  
 8 39  
 8 40  
 8 41  
 8 42  
 8 43  
 8 44

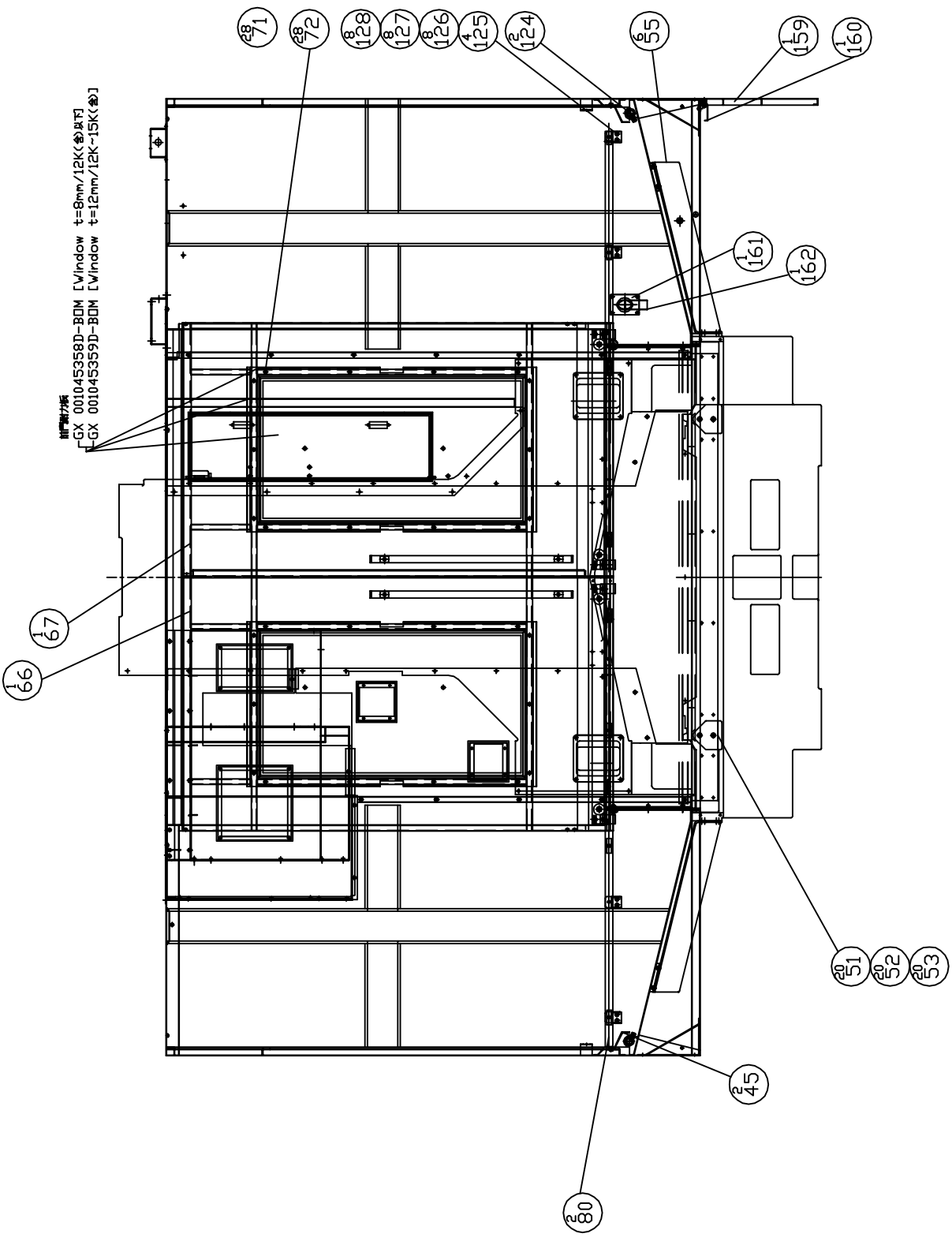
8 166  
 2 16  
 8 17  
 8 18  
 2 19

4 29  
 3 30  
 3 31

8 7  
 8 8  
 8 9  
 2 10  
 4 146  
 1 148  
 1 149  
 1 12  
 4 13  
 4 14  
 4 15

MODEL: GX1300#40	PART NUMBER: GX 001045313D
ENCLOSURE ASSM.	
外装基板金	
DATE: 2007/2/13	SCALE: 1:22
REV: T	PAGE: 1 OF 3

REV	DESCRIPTION	DATE	ENR
A	新設計	2007/02/23	608
B	#16GX 001045358D-BOX 仕様変更(2mm/5mm)仕様書	2007/07/27	664
C	仕様#47#GX 001010901D	2007/04/27	671
D	#12#GX 001009001-GX#00109000	2007/02/28	76E
E	#90#GX 001008001 仕様変更 .140 仕様書参照	2007/09/27	79-3
F	仕様#56 仕様#57 仕様#58 仕様#59 仕様	2007/07/03	104E
G	仕様#56 仕様#57 仕様#58 仕様#59 仕様	2007/07/03	104E
H	仕様#56 仕様#57 仕様#58 仕様#59 仕様	2007/07/03	104E
I	#108 仕様 仕様#108 仕様#109 仕様#110 仕様	2007/07/27	106E
J	#79#GX 001009001-GX#00109000	2007/02/28	105E
K	#98 仕様書参照. #101#GX 0010950101D	2007/05/22	122E
L	仕様#159-160-161-162	2007/07/27	132E
M	仕様#140 .141. 仕様#164	2007/02/28	135E
N	仕様#140 .141. 仕様#164	2007/02/28	135E
O	仕様#140 .141. 仕様#164	2007/02/28	135E
P	仕様#140 .141. 仕様#164	2007/02/28	135E
Q	仕様#140 .141. 仕様#164	2007/02/28	135E
R	#16#NVA-NVB. #106#166	2007/09/28	199E
S	#16#NVA-NVB. #106#166	2007/09/28	199E
T	#159-GX 001039103D-GX#0010950101D	2007/02/28	10033E



MODEL: GX1300#40	PART NUMBER: GX 001045313D
ENCLOSURE ASSM.	PAGE 2 OF 3
外装基板金	REV. T
DATE 2007/2/13	SCALE 1:22



# PRODUCT BOM MASTER AND SUB-ITEMS LIST

\*\*\*\*\*

Master Item Part NO.: GX 001045313D

Description: ENCLOSURE ASSM.

外型板金#40-30T

Item	Part NO.	Description	中文名稱	Specification	Qty	Unit
1.00	GX 000022101D	PLATE,RIGHT SPLASH GUARD	右擋水板	L1477XW587XH12	1.00	EA
2.00	GX 000022102D	PLATE,LEFT SPLASH GUARD	左擋水板	L1477XW587XH12	1.00	EA
3.00	MS 0103617	SOCKET HEAD CAP SCREW	六角穴圓頭螺絲	M6XP1.0XL16	14.00	EA
4.00	MW 0103610	FLAT WASHER	平墊圈	M6(D6*D19*H2)	14.00	EA
5.00	MW 0183610	SPRING WASHER	彈簧墊圈	M6(HEAT TREATMENT)	14.00	EA
7.00	MS 0103617	SOCKET HEAD CAP SCREW	六角穴圓頭螺絲	M6XP1.0XL16	8.00	EA
8.00	MW 0103610	FLAT WASHER	平墊圈	M6(D6*D19*H2)	8.00	EA
9.00	MW 0183610	SPRING WASHER	彈簧墊圈	M6(HEAT TREATMENT)	8.00	EA
10.00	NV 00103590107	SST HANDLE, ARC TYPE	不鏽鋼弧形把手(P=600)	不鏽鋼弧形把手(P=600)MS-737-4-700-600	2.00	EA
12.00	GX 000199078D	PLATE,MIDDLE GUARD	中外型板金擋板	L1579XW39.1XH34	1.00	EA
13.00	MS 0104019	SOCKET HEAD CAP SCREW	六角穴圓頭螺絲	M10XP1.5XL25	24.00	EA
14.00	MW 0184010	SPRING WASHER	彈簧墊圈	M10(HEAT TREATMENT)	24.00	EA
15.00	MW 0104010	FLAT WASHER	平墊圈	M10	24.00	EA
16.03	NVB000022225A	SIDE DOOR, UPPER	側門(上)	L850XW602XH24.3	2.00	EA
17.00	MS 0103617	SOCKET HEAD CAP SCREW	六角穴圓頭螺絲	M6XP1.0XL16	8.00	EA
18.00	MW 0183610	SPRING WASHER	彈簧墊圈	M6(HEAT TREATMENT)	8.00	EA
19.00	NV 00106420103	RUBBER SEAL, SIDE DOOR	發泡橡膠	W20X3T(1捲=15米)	2.00	MT
29.00	NV 00103590106	COMPRESSION EXTENSIBLE LATCH	迫緊式伸縮門鎖	MS816-1	4.00	ST
30.01	NV 000022226A	SIDE DOOR, LOWER	側門(下)	L850XW602XH24.3	2.00	EA
31.00	NV 00106420101	RUBBER SEAL, SIDE DOOR	發泡橡膠	W20X2T	2.00	MT

\*\*\*\*\*  
**PRODUCT BOM MASTER AND SUB-ITEMS LIST**  
 \*\*\*\*\*

Item	Part NO.	Description	中文名稱	Specification	Qty	Unit
32.00	NV 000942400A	ROLLER, DOOR	滑輪	D54XL29	4.00	EA
33.00	NV 00082310101	RING, C-RETAINING	C型內扣	R-28	4.00	EA
34.00	NV 00002660104	BALL BEARING	單列深槽滾珠軸承	6001ZZ	4.00	EA
35.00	NV 000378000D	SEAT, DOOR ROLLER	輪座板	L825XW50XH28.3	2.00	EA
36.00	GX 000299078D	FRONT PLATE,ENCLOURE	前護板	L1704XW35.4XH20	1.00	EA
37.00	MS 0103314	SOCKET HD. CAP SCREW	六角穴圓頭螺絲	M3XP0.5XL8	4.00	EA
38.00	MW 0183310	SPRING WASHER	彈簧墊圈	M3(HEAT TREATMENT)	4.00	EA
39.00	NV 00082310201	RING, C-RETAINING	C型外扣	S-12	8.00	EA
40.00	NV 00002660104	BALL BEARING	單列深槽滾珠軸承	6001ZZ	8.00	EA
41.00	NV 000403801D	SHAFT, DOOR ROLLER	輪軸	D14.3XL28.5	8.00	EA
42.00	MS 0103617	SOCKET HEAD CAP SCREW	六角穴圓頭螺絲	M6XP1.0XL16	8.00	EA
43.00	MW 0183610	SPRING WASHER	彈簧墊圈	M6(HEAT TREATMENT)	8.00	EA
44.00	MW 0103610	FLAT WASHER	平墊圈	M6(D6*D19*H2)	8.00	EA
45.01	GX 000199053D	COVER	蓋	L1693XW56.6XH141.5	2.00	EA
51.00	MS 0103617	SOCKET HEAD CAP SCREW	六角穴圓頭螺絲	M6XP1.0XL16	20.00	EA
52.00	MW 0103610	FLAT WASHER	平墊圈	M6(D6*D19*H2)	20.00	EA
53.00	MW 0183610	SPRING WASHER	彈簧墊圈	M6(HEAT TREATMENT)	20.00	EA
55.01	GX 000299083D	SUPPORT, GUARD	外型板金支撐架	L590.7XW99.9XH237.3	6.00	EA
66.02	GX 000299085D	DOOR, GUARD FRONT LEFT	左活動門	L900XW593XH1484.7	1.00	EA
67.02	GX 000299084D	DOOR, GUARD FRONT RIGHT	右活動門	L875XW593XH1487	1.00	EA
71.00	MS 0103617	SOCKET HEAD CAP SCREW	六角穴圓頭螺絲	M6XP1.0XL16	28.00	EA
72.00	MW 0183610	SPRING WASHER	彈簧墊圈	M6(HEAT TREATMENT)	28.00	EA
73.01	NVA000599084A	STOPER, DOOR	止動塊	L71XW40XH35	2.00	EA

\*\*\*\*\*  
**PRODUCT BOM MASTER AND SUB-ITEMS LIST**  
 \*\*\*\*\*

Item	Part NO.	Description	中文名稱	Specification	Qty	Unit
74.00	MS 0103516	SOCKET HEAD CAP SCREW	六角圓頭螺絲	M5XP0.8XL12	4.00	EA
75.00	MW 0183510	SPRING WASHER	彈簧墊圈	M5(HEAT TREATMENT)	4.00	EA
76.00	MW 0103510	FLAT WASHER	平墊圈	M5	4.00	EA
77.00	NV 001033102A	PLUG, SPLASH GUARD	孔塞	D30.5XL9.5	2.00	EA
78.00	GX 000299079D	DOOR GUIDE,UPPER	上滑道	L698XW49XH46.6	2.00	EA
79.15	GXB000299082D	GUARD,LEFT END	左外型板金(GX1300#40)	L1703XW894XH1842	1.00	EA
80.00	GX 000299077D	ROD,FRONT DOOR GUIDE	前門滑道	L1507.5XW25.4XH25.4	2.00	EA
87.02	GX 000199057D	SEAT,DOOR SWITCH	開關座	L50XW25XH20	1.00	EA
88.01	GX 000022108D	MIDDLE GUARD	中外型板金	L1593XW52XH330	1.00	EA
90.11	GXB000299081D	GUARD,RIGHT END	右外型板金(GX1300#40)	L1703XW894XH1842	1.00	EA
91.00	MS 0103617	SOCKET HEAD CAP SCREW	六角圓頭螺絲	M6XP1.0XL16	10.00	EA
92.00	MW 0103610	FLAT WASHER	平墊圈	M6(D6*D19*H2)	10.00	EA
93.00	MW 0183610	SPRING WASHER	彈簧墊圈	M6(HEAT TREATMENT)	10.00	EA
94.00	GX 000199060D	COVER	護蓋	L130XW55XH55	1.00	EA
95.00	MS 0103514	SOCKET HEAD CAP SCREW	六角圓頭螺絲	M5XP0.8XL8	4.00	EA
96.00	MW 0183510	SPRING WASHER	彈簧墊圈	M5(HEAT TREATMENT)	4.00	EA
97.09	GXA000199069D	BOX(PNEUMATIC PARTS)	箱(氣壓組件)	L880XW400XH152.3	1.00	EA
98.02	GXA000199075D	ROTARY DOOR	門鈹	L762XW266XH30	1.00	EA
99.00	MS 0103617	SOCKET HEAD CAP SCREW	六角圓頭螺絲	M6XP1.0XL16	4.00	EA
100.00	MW 0183610	SPRING WASHER	彈簧墊圈	M6(HEAT TREATMENT)	4.00	EA
103.04	GXA000199056D	SIDE COVER,COLUMN	立柱側蓋	L1232XW336XH111.3	1.00	EA
104.00	GX 000199063D	ROTARY DOOR	旋轉門	L834XW228XH19	1.00	EA
105.00	MS 0103617	SOCKET HEAD CAP SCREW	六角圓頭螺絲	M6XP1.0XL16	5.00	EA

\*\*\*\*\*  
**PRODUCT BOM MASTER AND SUB-ITEMS LIST**  
 \*\*\*\*\*

Item	Part NO.	Description	中文名稱	Specification	Qty	Unit
106.00	MW 0103610	FLAT WASHER	平墊圈	M6(D6*D19*H2)	5.00	EA
107.00	MW 0183610	SPRING WASHER	彈簧墊圈	M6(HEAT TREATMENT)	5.00	EA
109.00	MW 0183510	SPRING WASHER	彈簧墊圈	M5(HEAT TREATMENT)	7.00	EA
110.00	MW 0103510	FLAT WASHER	平墊圈	M5	7.00	EA
111.00	MS 0103515	SOCKET HEAD CAP SCREW	六角穴圓頭螺絲	M5XP0.8XL10	7.00	EA
117.00	MS 0103515	SOCKET HEAD CAP SCREW	六角穴圓頭螺絲	M5XP0.8XL10	16.00	EA
118.00	MW 0103510	FLAT WASHER	平墊圈	M5	16.00	EA
119.00	MW 0183510	SPRING WASHER	彈簧墊圈	M5(HEAT TREATMENT)	16.00	EA
120.00	MS 0103416	SOCKET HEAD CAP SCREW	六角穴圓頭螺絲	M4XP0.7XL12	2.00	EA
121.00	MW 0103410	FLAT WASHER	平墊圈	M4X10DX1T	2.00	EA
122.00	MW 0183410	SPRING WASHER	彈簧墊圈	M4(HEAT TREATMENT)	2.00	EA
123.00	MN 0113410	HEXAGON NUT	六角螺帽	M4XP0.7	2.00	EA
124.03	GXB001010900D	NOZZLE	切削水接頭	L1450XD27.2	2.00	EA
125.01	NV 000022137D	BRACKET	固定塊	L55XW38XH5	4.00	EA
126.00	MW 0103610	FLAT WASHER	平墊圈	M6(D6*D19*H2)	8.00	EA
127.00	MW 0183610	SPRING WASHER	彈簧墊圈	M6(HEAT TREATMENT)	8.00	EA
128.00	MS 0103617	SOCKET HEAD CAP SCREW	六角穴圓頭螺絲	M6XP1.0XL16	8.00	EA
129.00	GX 000299090D	SUPPORTER, REAR COVER	背側板金支撐架	L509W344H70	1.00	EA
130.00	MS 0103820	SOCKET HEAD CAP SCREW	六角穴圓頭螺絲	M8XP1.25XL30	2.00	EA
131.00	MW 0183810	SPRING WASHER	彈簧墊圈	M8(HEAT TREATMENT)	2.00	EA
132.02	GX 000299091D	REAR COVER(2)	背側蓋板(2)	L557.3XW486.5XH500	1.00	EA
133.08	GXA000299092D	REAR COVER(1)	背側蓋板(1)	L1320XW936XH557.3	1.00	EA
134.00	MS 0103617	SOCKET HEAD CAP SCREW	六角穴圓頭螺絲	M6XP1.0XL16	12.00	EA

\*\*\*\*\*  
**PRODUCT BOM MASTER AND SUB-ITEMS LIST**  
 \*\*\*\*\*

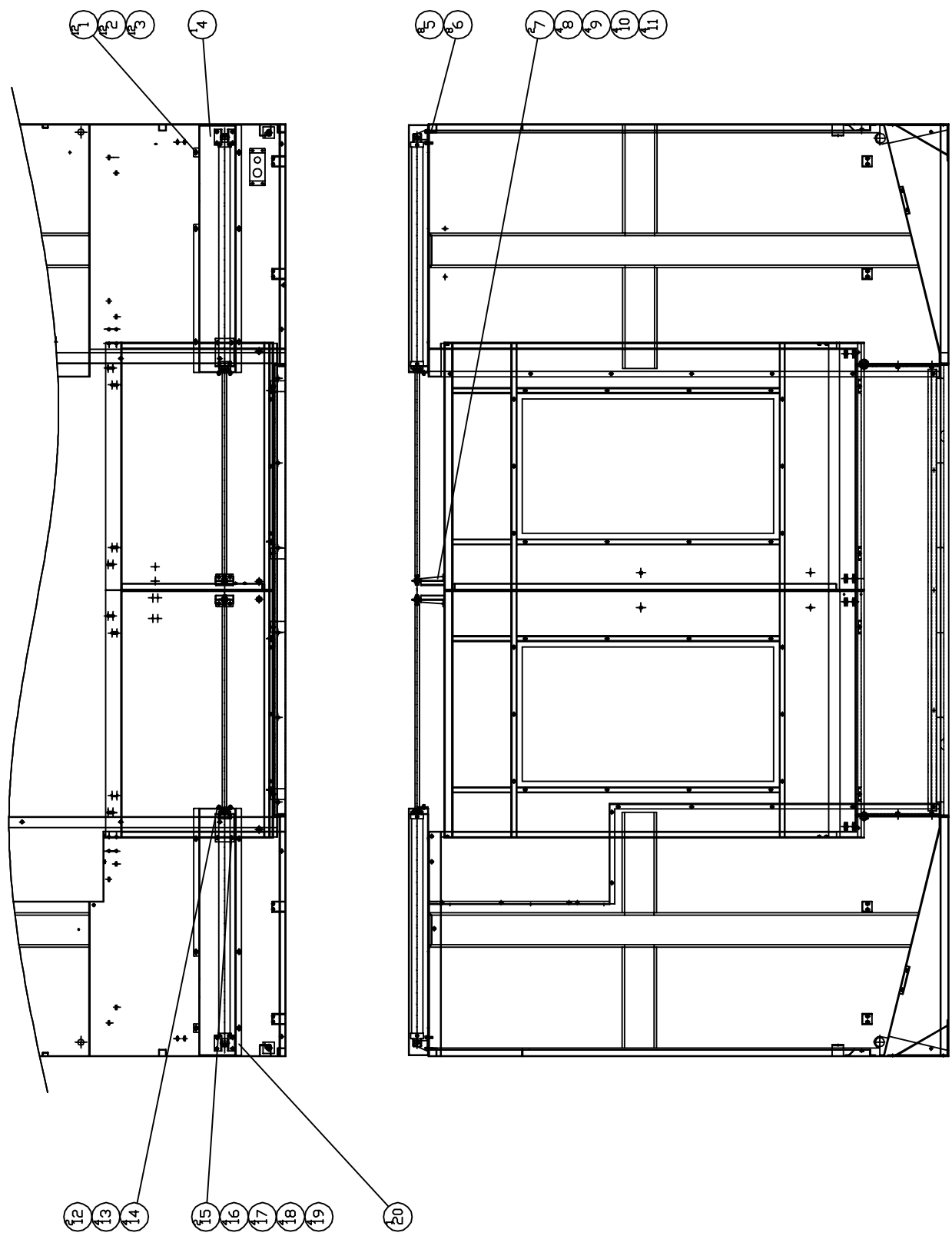
Item	Part NO.	Description	中文名稱	Specification	Qty	Unit
135.00	MW 0183610	SPRING WASHER	彈簧墊圈	M6(HEAT TREATMENT)	12.00	EA
137.00	GX 000399006D	COVER(REAR COVER)	蓋板(背側蓋板)	L998XW598XH2.3	1.00	ST
138.00	GX 00103590101	LATCH, COPPER, TWIN BALL	銅雙珠門擋[允際]	[TAI SAM]TK-60	1.00	ST
139.00	GX 000299005D	PLATE	護板	L1623XW89.8XT2.3	2.00	ST
142.00	GX 000299001D	PLATE	護板(右後)	L836XW762XT1.2	1.00	ST
143.00	GX 000299002D	PLATE	護板(右前)	L836XW926.4XT1.2	1.00	ST
144.00	GX 000299003D	PLATE	護板(左後)	L836XW762XT1.2	1.00	ST
145.00	GX 000299004D	PLATE	護板(左前)	L836XW926.4XT1.2	1.00	ST
146.02	NVA000899025A	PLATE, FRONT DOOR	前門護板	L53XW32XH32	4.00	EA
148.02	GXA000399090D	COVER, RIGHT	蓋板, 右 (右側無除屑機時)	L331XW205XH37.3	1.00	EA
149.02	GXA000399091D	COVER, LEFT	蓋板, 左 (左側無除屑機時)	L331XW205XH12	1.00	EA
152.00	MS 0103415	SOCKET HEAD CAP SCREW	六角穴圓頭螺絲	M4XP0.7XL10	2.00	EA
153.00	MW 0183410	SPRING WASHER	彈簧墊圈	M4(HEAT TREATMENT)	2.00	EA
154.00	MW 0103410	FLAT WASHER	平墊圈	M4X10DX1T	2.00	EA
155.00	MS 0103414	SOCKET HEAD CAP SCREW	六角穴圓頭螺絲	M4XP0.7XL8	2.00	EA
156.00	MW 0183410	SPRING WASHER	彈簧墊圈	M4(HEAT TREATMENT)	2.00	EA
157.00	MW 0103410	FLAT WASHER	平墊圈	M4X10DX1T	2.00	EA
159.01	GXA000399103D	COVER PLATE, GUARD RIGHT	右側蓋板(前)	H1353XW405.3XH22	1.00	EA
160.00	GX 000199190D	SIDE COVER,PLATE(FRON)	側蓋固定板(前)	L1286XW55XH27	1.00	EA
161.00	GX 000399101D	PLATE,WASH DOWN	噴槍護板	H100X70XT2.0	1.00	EA
162.00	GX 000399102D	BRACKET,WASH DOWN	噴槍固定座	H100XW70X65.8	1.00	EA
163.00	NV 001044901J	WINDOW, DOOR	壓克力板	L428XW178XH2	1.00	EA
164.01	GX 000599006D	PLATE	護板	L1497XW193XH90.1	2.00	EA



PRODUCT BOM MASTER AND SUB-ITEMS LIST  
\*\*\*\*\*

Item	Part NO.	Description	中文名稱	Specification	Qty	Unit
165.00	GX 000499087D	PLATE,WIRE OUTLOOK	出線板	L270XW80XH2.3	1.00	EA
166.00	NV 00082310113	RING, C-RETAINING	C型內扣	R-12	8.00	EA
167.00	NV 00103590109	COMPRESSION EXTENSIBLE LATCH	迫緊式伸縮門鎖	MS816-3	1.00	ST
168.00	GH 000022163B	PLATE	插銷固定板	L50XW10XH2.3	1.00	EA
169.00	NV 00103590110	LATCH	平面型迫緊門扣[允際]	[TAI-SAN]MS-732-2A	2.00	ST
175.00	NV 000403802A	SHAFT, DOOR ROLLER	輪軸	D18XL27.5	4.00	EA

REV	DESCRIPTION	DATE	ECN
A	新機種	2007/12/24	975
B	外装板金	2007/12/24	2-4-6
C	GX 001066157D->GX001066157E	2007/12/24	003770



MODEL	GX 1300
PART NAME	ENCLOSURE ASSM (AUTO DOOR)
PART NUMBER	GX 001045315D
DATE	2007/12/24
SCALE	1:22
REV.	C
ENDERK	KIN
PHL	
PAGE	1 OF 1

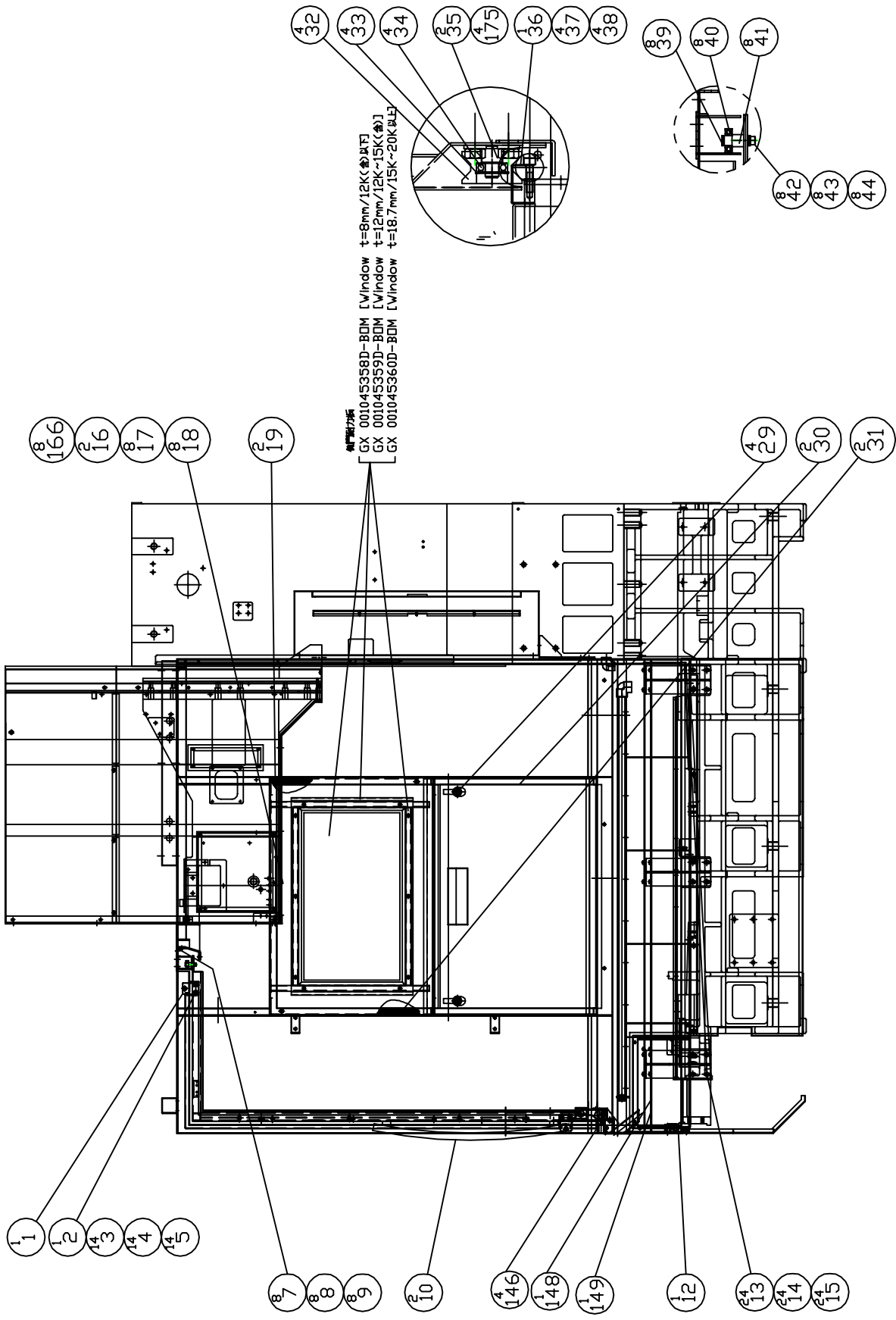
# PRODUCT BOM MASTER AND SUB-ITEMS LIST

\*\*\*\*\*

Master Item Part NO.: GX 001045315D

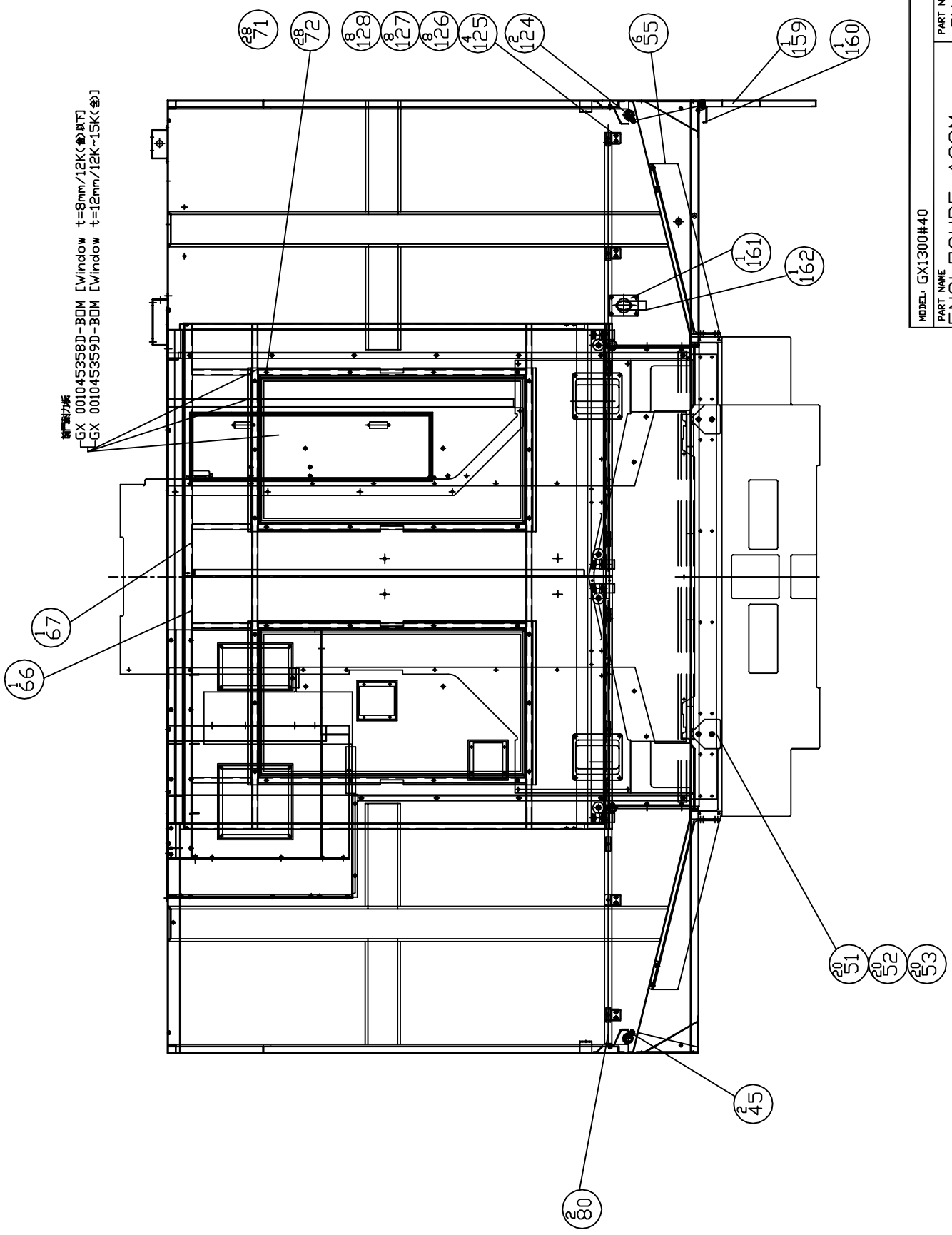
Description: ENCLOSURE (AUTO DOOR)  
外型板金 (自動門)

Item	Part NO.	Description	中文名稱	Specification	Qty	Unit
1.00	MS 0103617	SOCKET HEAD CAP SCREW	六角穴圓頭螺絲	M6XP1.0XL16	12.00	EA
2.00	MW 0183610	SPRING WASHER	彈簧墊圈	M6(HEAT TREATMENT)	12.00	EA
3.00	MW 0103610	FLAT WASHER	平墊圈	M6(D6*D19*H2)	12.00	EA
4.01	GX 000399042D	COVER,RIGHT CYLINDER	右氣壓缸護蓋(GX1300自動門用)	L875XW170XH70	1.00	EA
5.00	MS 0103618	SOCKET HEAD CAP SCREW	六角穴圓頭螺絲	M6XP1.0XL20	8.00	EA
6.00	MW 0183610	SPRING WASHER	彈簧墊圈	M6(HEAT TREATMENT)	8.00	EA
7.01	GXA001066157D	BRACKET,CYLINDER	氣壓缸托架	L113XW65XH40	2.00	EA
8.00	MS 0103617	SOCKET HEAD CAP SCREW	六角穴圓頭螺絲	M6XP1.0XL16	4.00	EA
9.00	MW 0183610	SPRING WASHER	彈簧墊圈	M6(HEAT TREATMENT)	4.00	EA
10.00	MW 0103610	FLAT WASHER	平墊圈	M6(D6*D19*H2)	4.00	EA
11.00	MN 0113610	HEXAGON NUT	六角螺帽	M6XP1.0	4.00	EA
12.00	GX 000399041D	COVER,CYLINDER	蓋板	L56XW38XT2.3	2.00	EA
13.00	MS 0103514	SOCKET HEAD CAP SCREW	六角穴圓頭螺絲	M5XP0.8XL8	4.00	EA
14.00	MW 0183510	SPRING WASHER	彈簧墊圈	M5(HEAT TREATMENT)	4.00	EA
15.00	GX 001066158D	BRACKET,CYLINDER	氣壓缸托架	L100XW65XH56.4	2.00	EA
16.00	MS 0103617	SOCKET HEAD CAP SCREW	六角穴圓頭螺絲	M6XP1.0XL16	4.00	EA
17.00	MW 0183610	SPRING WASHER	彈簧墊圈	M6(HEAT TREATMENT)	4.00	EA
18.00	MW 0103610	FLAT WASHER	平墊圈	M6(D6*D19*H2)	4.00	EA
19.00	MN 0113610	HEXAGON NUT	六角螺帽	M6XP1.0	4.00	EA
20.01	GX 000399043D	COVER,LEFT CYLINDER	左氣壓缸護蓋(GX1300自動門用)	L875XW170XH70	1.00	EA



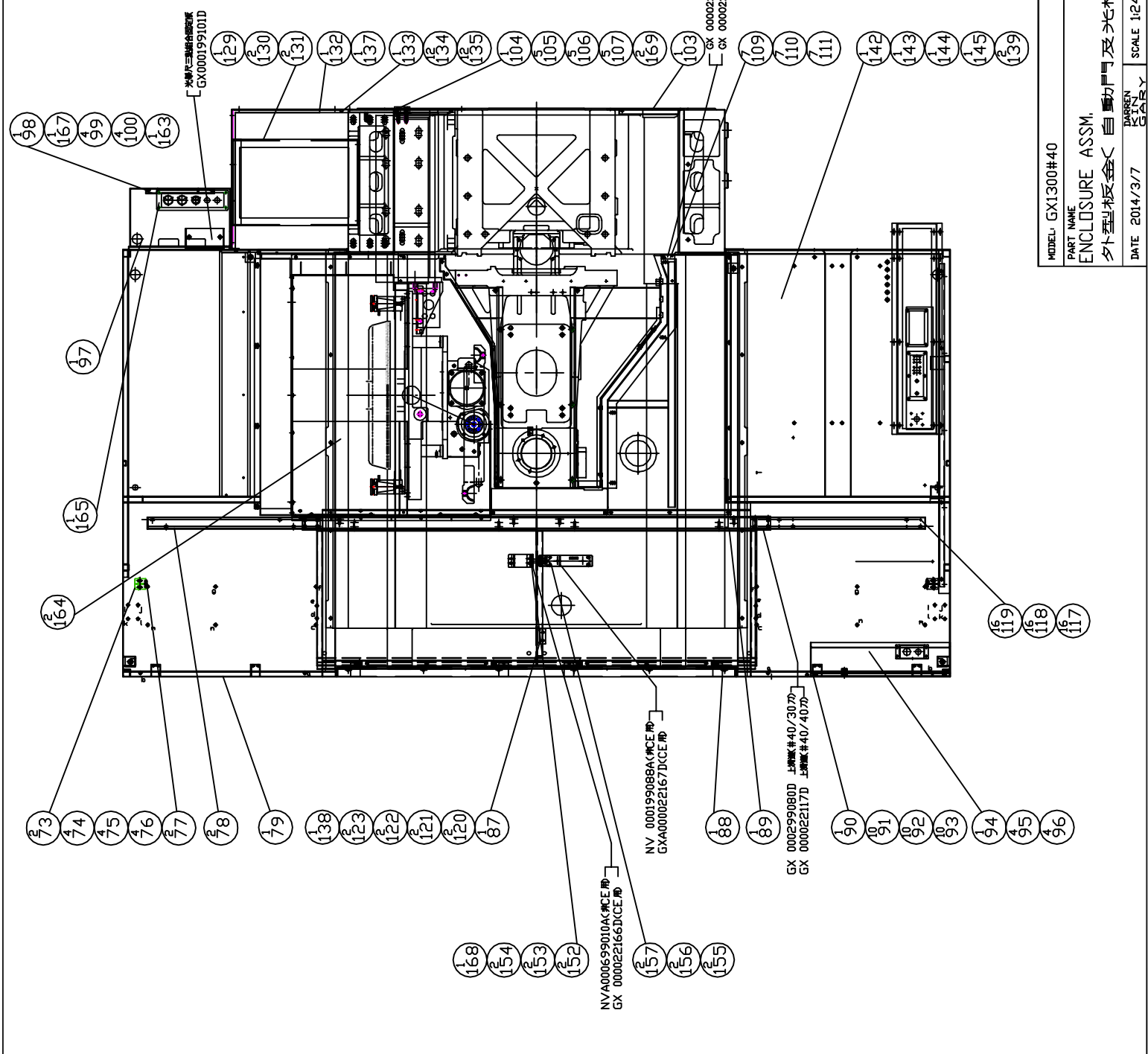
MODEL	GX1300#40
PART NAME	ENCLOSURE ASSM.
PART NUMBER	GX 001045319D
DATE	2014/3/7
SCALE	1:22
REV.	A
PAGE	1 OF 3
REV.	A

REV	DESCRIPTION	DATE	ECN
A	新仕様	2014/3/7	000357



MODEL: GX1300#40	PART NUMBER: GX 001045319D
PART NAME: ENCLOSURE ASSM.	PAGE: 2 OF 3
外型板金<自動門>及<光柵>	REV: A
DATE: 2014/3/7	SCALE: 1/20
DARREN KEIN	

REV	DESCRIPTION	DATE	ENCL
A	新仕様	2014/3/7	00357



MODEL: GX1300#40	PART NUMBER: GX 001045319D
PART NAME: ENCLOSURE ASSM.	PAGE 3 OF 3
DATE: 2014/3/7	REV: A
SCALE: 1:24	

# PRODUCT BOM MASTER AND SUB-ITEMS LIST

\*\*\*\*\*

Master Item Part NO.: GX 001045319D

Description: ENCLOSURE ASSM.

外型板金#40-30T自動門及光柵

Item	Part NO.	Description	中文名稱	Specification	Qty	Unit
1.00	GX 000022101D	PLATE,RIGHT SPLASH GUARD	右擋水板	L1477XW587XH12	1.00	EA
2.00	GX 000022102D	PLATE,LEFT SPLASH GUARD	左擋水板	L1477XW587XH12	1.00	EA
3.00	MS 0103617	SOCKET HEAD CAP SCREW	六角穴圓頭螺絲	M6XP1.0XL16	14.00	EA
4.00	MW 0103610	FLAT WASHER	平墊圈	M6(D6*D19*H2)	14.00	EA
5.00	MW 0183610	SPRING WASHER	彈簧墊圈	M6(HEAT TREATMENT)	14.00	EA
7.00	MS 0103617	SOCKET HEAD CAP SCREW	六角穴圓頭螺絲	M6XP1.0XL16	8.00	EA
8.00	MW 0103610	FLAT WASHER	平墊圈	M6(D6*D19*H2)	8.00	EA
9.00	MW 0183610	SPRING WASHER	彈簧墊圈	M6(HEAT TREATMENT)	8.00	EA
10.00	NV 00103590107	SST HANDLE, ARC TYPE	不鏽鋼弧形把手(P=600)	不鏽鋼弧形把手(P=600)MS-737-4-700-600	2.00	EA
12.00	GX 000199078D	PLATE,MIDDLE GUARD	中外型板金擋板	L1579XW39.1XH34	1.00	EA
13.00	MS 0104019	SOCKET HEAD CAP SCREW	六角穴圓頭螺絲	M10XP1.5XL25	24.00	EA
14.00	MW 0184010	SPRING WASHER	彈簧墊圈	M10(HEAT TREATMENT)	24.00	EA
15.00	MW 0104010	FLAT WASHER	平墊圈	M10	24.00	EA
16.00	NVB000022225A	SIDE DOOR, UPPER	側門(上)	L850XW602XH24.3	2.00	EA
17.00	MS 0103617	SOCKET HEAD CAP SCREW	六角穴圓頭螺絲	M6XP1.0XL16	8.00	EA
18.00	MW 0183610	SPRING WASHER	彈簧墊圈	M6(HEAT TREATMENT)	8.00	EA
19.00	NV 00106420103	RUBBER SEAL, SIDE DOOR	發泡橡膠	W20X3T(1捲=15米)	2.00	MT
29.00	NV 00103590106	COMPRESSION EXTENSIBLE LATCH	迫緊式伸縮門鎖	MS816-1	4.00	ST
30.00	NV 000022226A	SIDE DOOR, LOWER	側門(下)	L850XW602XH24.3	2.00	EA
31.00	NV 00106420101	RUBBER SEAL, SIDE DOOR	發泡橡膠	W20X2T	2.00	MT

\*\*\*\*\*  
**PRODUCT BOM MASTER AND SUB-ITEMS LIST**  
 \*\*\*\*\*

Item	Part NO.	Description	中文名稱	Specification	Qty	Unit
32.00	NV 000942400A	ROLLER, DOOR	滑輪	D54XL29	4.00	EA
33.00	NV 00082310101	RING, C-RETAINING	C型內扣	R-28	4.00	EA
34.00	NV 00002660104	BALL BEARING	單列深槽滾珠軸承	6001ZZ	4.00	EA
35.00	NV 000378000D	SEAT, DOOR ROLLER	輪座板	L825XW50XH28.3	2.00	EA
36.00	GX 000299078D	FRONT PLATE,ENCLOURE	前護板	L1704XW35.4XH20	1.00	EA
37.00	MS 0103314	SOCKET HD. CAP SCREW	六角穴圓頭螺絲	M3XP0.5XL8	4.00	EA
38.00	MW 0183310	SPRING WASHER	彈簧墊圈	M3(HEAT TREATMENT)	4.00	EA
39.00	NV 00082310201	RING, C-RETAINING	C型外扣	S-12	8.00	EA
40.00	NV 00002660104	BALL BEARING	單列深槽滾珠軸承	6001ZZ	8.00	EA
41.00	NV 000403801D	SHAFT, DOOR ROLLER	輪軸	D14.3XL28.5	8.00	EA
42.00	MS 0103617	SOCKET HEAD CAP SCREW	六角穴圓頭螺絲	M6XP1.0XL16	8.00	EA
43.00	MW 0183610	SPRING WASHER	彈簧墊圈	M6(HEAT TREATMENT)	8.00	EA
44.00	MW 0103610	FLAT WASHER	平墊圈	M6(D6*D19*H2)	8.00	EA
45.00	GX 000199053D	COVER	蓋	L1693XW56.6XH141.5	2.00	EA
51.00	MS 0103617	SOCKET HEAD CAP SCREW	六角穴圓頭螺絲	M6XP1.0XL16	20.00	EA
52.00	MW 0103610	FLAT WASHER	平墊圈	M6(D6*D19*H2)	20.00	EA
53.00	MW 0183610	SPRING WASHER	彈簧墊圈	M6(HEAT TREATMENT)	20.00	EA
55.00	GX 000299083D	SUPPORT, GUARD	外型板金支撐架	L590.7XW99.9XH237.3	6.00	EA
66.00	GX 000022145E	DOOR, GUARD FRONT LEFT	左活動門-光柵用(GX1300#40-30/40T)	L900XW1487XH593	1.00	EA
67.00	GX 000022144E	DOOR, GUARD FRONT RIGHT	右活動門-光柵用(GX1300#40-30/40T)	L875XW1487XH593	1.00	EA
71.00	MS 0103617	SOCKET HEAD CAP SCREW	六角穴圓頭螺絲	M6XP1.0XL16	28.00	EA
72.00	MW 0183610	SPRING WASHER	彈簧墊圈	M6(HEAT TREATMENT)	28.00	EA
73.00	NVA000599084A	STOPER, DOOR	止動塊	L71XW40XH35	2.00	EA



\*\*\*\*\*  
**PRODUCT BOM MASTER AND SUB-ITEMS LIST**  
 \*\*\*\*\*

Item	Part NO.	Description	中文名稱	Specification	Qty	Unit
74.00	MS 0103516	SOCKET HEAD CAP SCREW	六角穴圓頭螺絲	M5XP0.8XL12	4.00	EA
75.00	MW 0183510	SPRING WASHER	彈簧墊圈	M5(HEAT TREATMENT)	4.00	EA
76.00	MW 0103510	FLAT WASHER	平墊圈	M5	4.00	EA
77.00	NV 001033102A	PLUG, SPLASH GUARD	孔塞	D30.5XL9.5	2.00	EA
78.00	GX 000299079D	DOOR GUIDE,UPPER	上滑道	L698XW49XH46.6	2.00	EA
79.01	GX 000022154D	GUARD,RIGHT END	左外型板金(GX1300#40)(自動門&光柵使用)	L1703XW894XH1842	1.00	EA
80.00	GX 000299077D	ROD,FRONT DOOR GUIDE	前門滑道	L1507.5XW25.4XH25.4	2.00	EA
87.00	GX 000199057D	SEAT,DOOR SWITCH	開關座	L50XW25XH20	1.00	EA
88.00	GX 000022108D	MIDDLE GUARD	中外型板金	L1593XW52XH330	1.00	EA
90.00	GX 000022153D	GUARD,LEFT END	右外型板金(GX1300#40)(自動門&光柵使用)	L1703XW894XH1842(光柵用)	1.00	EA
91.00	MS 0103617	SOCKET HEAD CAP SCREW	六角穴圓頭螺絲	M6XP1.0XL16	10.00	EA
92.00	MW 0103610	FLAT WASHER	平墊圈	M6(D6*D19*H2)	10.00	EA
93.00	MW 0183610	SPRING WASHER	彈簧墊圈	M6(HEAT TREATMENT)	10.00	EA
94.00	GX 000199060D	COVER	護蓋	L130XW55XH55	1.00	EA
95.00	MS 0103514	SOCKET HEAD CAP SCREW	六角穴圓頭螺絲	M5XP0.8XL8	4.00	EA
96.00	MW 0183510	SPRING WASHER	彈簧墊圈	M5(HEAT TREATMENT)	4.00	EA
97.01	GXA000199069D	BOX(PNEUMATIC PARTS)	箱(氣壓組件)	L880XW400XH152.3	1.00	EA
98.00	GXA000199075D	ROTARY DOOR	門鈹	L762XW266XH30	1.00	EA
99.00	MS 0103617	SOCKET HEAD CAP SCREW	六角穴圓頭螺絲	M6XP1.0XL16	4.00	EA
100.00	MW 0183610	SPRING WASHER	彈簧墊圈	M6(HEAT TREATMENT)	4.00	EA
103.00	GXA000199056D	SIDE COVER,COLUMN	立柱側蓋	L1232XW336XH111.3	1.00	EA
104.00	GX 000199063D	ROTARY DOOR	旋轉門	L834XW228XH19	1.00	EA
105.00	MS 0103617	SOCKET HEAD CAP SCREW	六角穴圓頭螺絲	M6XP1.0XL16	5.00	EA

\*\*\*\*\*  
**PRODUCT BOM MASTER AND SUB-ITEMS LIST**  
 \*\*\*\*\*

Item	Part NO.	Description	中文名稱	Specification	Qty	Unit
106.00	MW 0103610	FLAT WASHER	平墊圈	M6(D6*D19*H2)	5.00	EA
107.00	MW 0183610	SPRING WASHER	彈簧墊圈	M6(HEAT TREATMENT)	5.00	EA
109.00	MW 0183510	SPRING WASHER	彈簧墊圈	M5(HEAT TREATMENT)	7.00	EA
110.00	MW 0103510	FLAT WASHER	平墊圈	M5	7.00	EA
111.00	MS 0103515	SOCKET HEAD CAP SCREW	六角穴圓頭螺絲	M5XP0.8XL10	7.00	EA
117.00	MS 0103515	SOCKET HEAD CAP SCREW	六角穴圓頭螺絲	M5XP0.8XL10	16.00	EA
118.00	MW 0103510	FLAT WASHER	平墊圈	M5	16.00	EA
119.00	MW 0183510	SPRING WASHER	彈簧墊圈	M5(HEAT TREATMENT)	16.00	EA
120.00	MS 0103416	SOCKET HEAD CAP SCREW	六角穴圓頭螺絲	M4XP0.7XL12	2.00	EA
121.00	MW 0103410	FLAT WASHER	平墊圈	M4X10DX1T	2.00	EA
122.00	MW 0183410	SPRING WASHER	彈簧墊圈	M4(HEAT TREATMENT)	2.00	EA
123.00	MN 0113410	HEXAGON NUT	六角螺帽	M4XP0.7	2.00	EA
124.00	GXB001010900D	NOZZLE	切削水接頭	L1450XD27.2	2.00	EA
125.00	NV 000022137D	BRACKET	固定塊	L55XW38XH5	4.00	EA
126.00	MW 0103610	FLAT WASHER	平墊圈	M6(D6*D19*H2)	8.00	EA
127.00	MW 0183610	SPRING WASHER	彈簧墊圈	M6(HEAT TREATMENT)	8.00	EA
128.00	MS 0103617	SOCKET HEAD CAP SCREW	六角穴圓頭螺絲	M6XP1.0XL16	8.00	EA
129.00	GX 000299090D	SUPPORTER, REAR COVER	背側板金支撐架	L509W344H70	1.00	EA
130.00	MS 0103820	SOCKET HEAD CAP SCREW	六角穴圓頭螺絲	M8XP1.25XL30	2.00	EA
131.00	MW 0183810	SPRING WASHER	彈簧墊圈	M8(HEAT TREATMENT)	2.00	EA
132.00	GX 000299091D	REAR COVER(2)	背側蓋板(2)	L557.3XW486.5XH500	1.00	EA
133.00	GXA000299092D	REAR COVER(1)	背側蓋板(1)	L1320XW936XH557.3	1.00	EA
134.00	MS 0103617	SOCKET HEAD CAP SCREW	六角穴圓頭螺絲	M6XP1.0XL16	12.00	EA

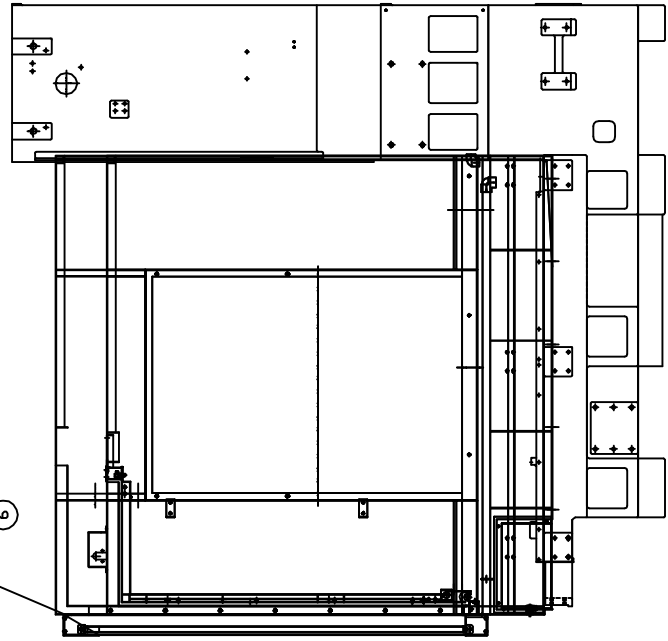
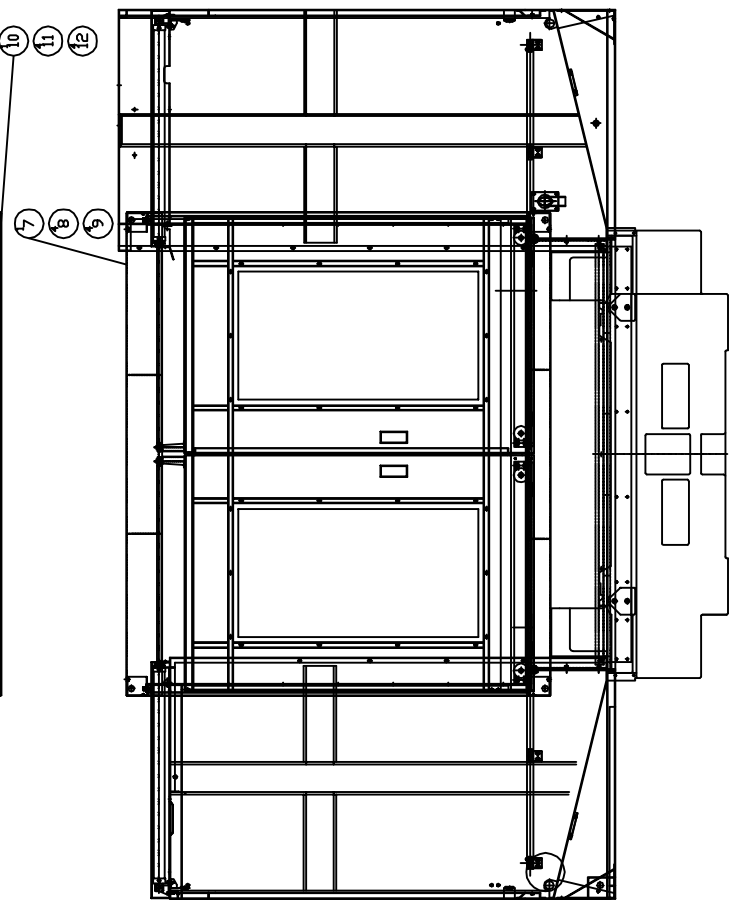
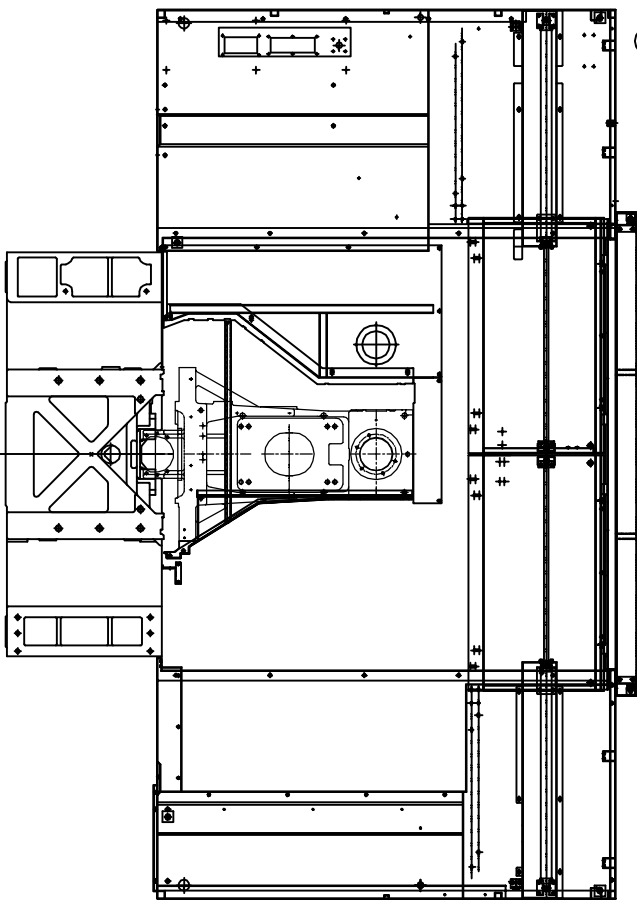
\*\*\*\*\*  
**PRODUCT BOM MASTER AND SUB-ITEMS LIST**  
 \*\*\*\*\*

Item	Part NO.	Description	中文名稱	Specification	Qty	Unit
135.00	MW 0183610	SPRING WASHER	彈簧墊圈	M6(HEAT TREATMENT)	12.00	EA
137.00	GX 000399006D	COVER(REAR COVER)	蓋板(背側蓋板)	L998XW598XH2.3	1.00	ST
138.00	GX 00103590101	LATCH, COPPER, TWIN BALL	銅雙珠門擋[允際]	[TAI SAM]TK-60	1.00	ST
139.00	GX 000299005D	PLATE	護板	L1623XW89.8XT2.3	2.00	ST
142.00	GX 000299001D	PLATE	護板(右後)	L836XW762XT1.2	1.00	ST
143.00	GX 000299002D	PLATE	護板(右前)	L836XW926.4XT1.2	1.00	ST
144.00	GX 000299003D	PLATE	護板(左後)	L836XW762XT1.2	1.00	ST
145.00	GX 000299004D	PLATE	護板(左前)	L836XW926.4XT1.2	1.00	ST
146.01	NVA000899025A	PLATE, FRONT DOOR	前門護板	L53XW32XH32	4.00	EA
148.00	GXA000399090D	COVER, RIGHT	蓋板, 右 (右側無除屑機時)	L331XW205XH37.3	1.00	EA
149.00	GXA000399091D	COVER, LEFT	蓋板, 左 (左側無除屑機時)	L331XW205XH12	1.00	EA
151.00	NVA000699010A	SEAT, SWITCH	安全開關座	L92.7XW75XH32	1.00	EA
152.00	MS 0103415	SOCKET HEAD CAP SCREW	六角穴圓頭螺絲	M4XP0.7XL10	2.00	EA
153.00	MW 0183410	SPRING WASHER	彈簧墊圈	M4(HEAT TREATMENT)	2.00	EA
154.00	MW 0103410	FLAT WASHER	平墊圈	M4X10DX1T	2.00	EA
155.00	MS 0103414	SOCKET HEAD CAP SCREW	六角穴圓頭螺絲	M4XP0.7XL8	2.00	EA
156.00	MW 0183410	SPRING WASHER	彈簧墊圈	M4(HEAT TREATMENT)	2.00	EA
157.00	MW 0103410	FLAT WASHER	平墊圈	M4X10DX1T	2.00	EA
159.00	GXA000399103D	COVER PLATE, GUARD RIGHT	右側蓋板(前)	H1353XW405.3XH22	1.00	EA
160.00	GX 000199190D	SIDE COVER,PLATE(FRON)	側蓋固定板(前)	L1286XW55XH27	1.00	EA
161.00	GX 000399101D	PLATE,WASH DOWN	噴槍護板	H100X70XT2.0	1.00	EA
162.00	GX 000399102D	BRACKET,WASH DOWN	噴槍固定座	H100XW70X65.8	1.00	EA
163.00	NV 001044901J	WINDOW, DOOR	壓克力板	L428XW178XH2	1.00	EA

PRODUCT BOM MASTER AND SUB-ITEMS LIST  
\*\*\*\*\*

Item	Part NO.	Description	中文名稱	Specification	Qty	Unit
164.00	GX 000599006D	PLATE	護板	L1497XW193XH90.1	2.00	EA
165.00	GX 000499087D	PLATE,WIRE OUTLOOK	出線板	L270XW80XH2.3	1.00	EA
166.00	NV 00082310113	RING, C-RETAINING	C型內扣	R-12	8.00	EA
167.00	NV 00103590109	COMPRESSION EXTENSIBLE LATCH	迫緊式伸縮門鎖	MS816-3	1.00	ST
168.00	GH 000022163B	PLATE	插銷固定板	L50XW10XH2.3	1.00	EA
169.00	NV 00103590110	LATCH	平面型迫緊門扣[允際]	[TAI-SAN]MS-732-2A	2.00	EA
175.00	NV 000403802A	SHAFT, DOOR ROLLER	輪軸	D18XL27.5	4.00	EA

REV	DESCRIPTION	DATE	ENR
A	新機種	2012/05/09	2506



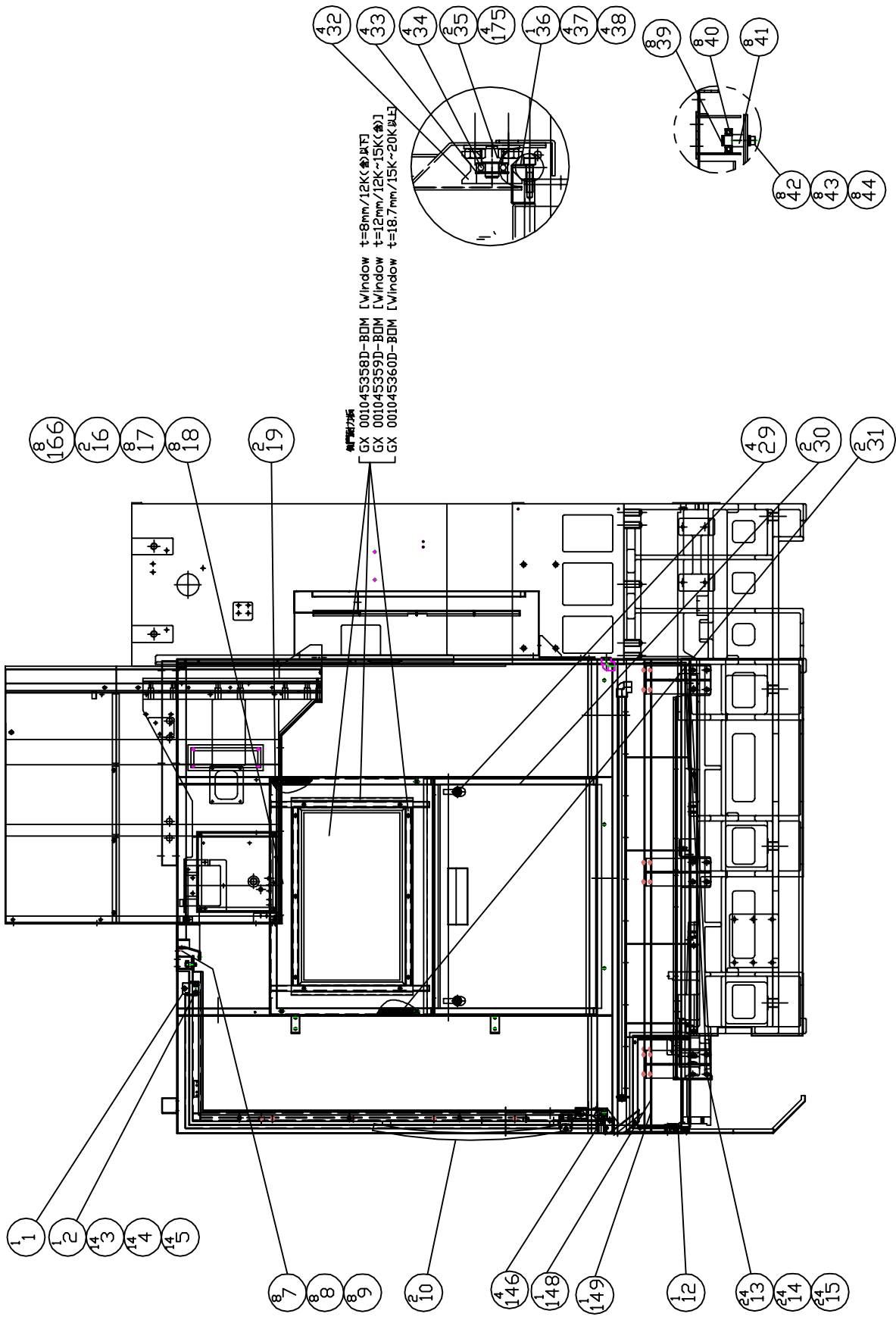
MODEL: GX 1300 #50-24T	PART NUMBER	GX 001045322F
PART NAME	DATE	2012/05/09
DATE	SCALE	1:30
SCOTT-HUANG	PAGE	1 OF 1
REV.	REV.	A

\*\*\*\*\*  
PRODUCT BOM MASTER AND SUB-ITEMS LIST  
\*\*\*\*\*

Master Item Part NO.: GX 001045322F

Description: SCREEN ASSM(GX1300#50-32T)  
光柵固定組件(GX1300#50-32T)

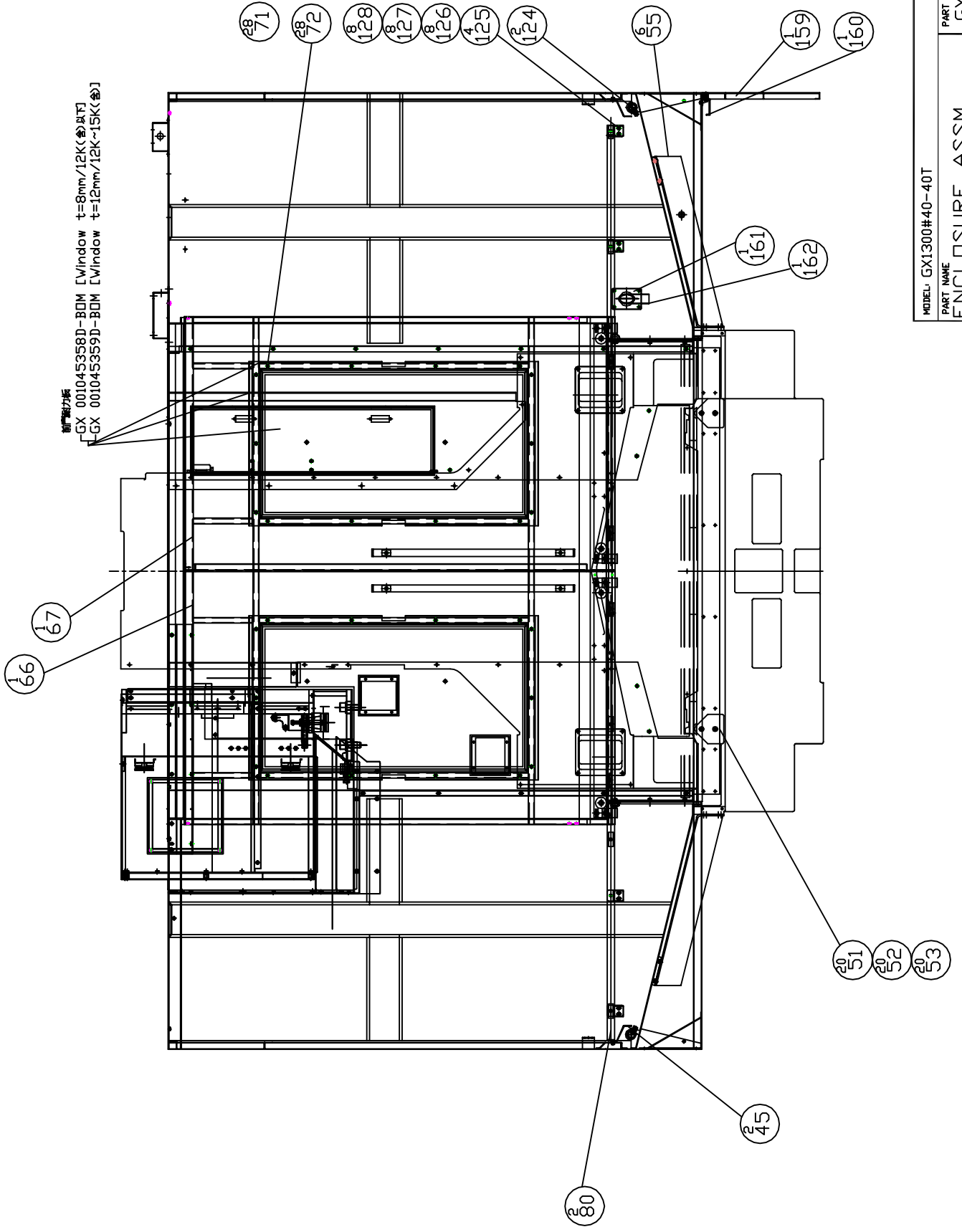
Item	Part NO.	Description	中文名稱	Specification	Qty	Unit
1.02	GXA000022137F	SUPPORT,RIGHT CURTAIN	左/右支撐板-光柵用(GX1300#50-24/32T)	L1544XW64.6XH50	2.00	EA
2.00	MS 0103618	SOCKET HEAD CAP SCREW	六角穴圓頭螺絲	M6XP1.0XL20	7.00	EA
3.00	MW 0183610	SPRING WASHER	彈簧墊圈	M6(HEAT TREATMENT)	7.00	EA
5.00	MS 0103618	SOCKET HEAD CAP SCREW	六角穴圓頭螺絲	M6XP1.0XL20	7.00	EA
6.00	MW 0183610	SPRING WASHER	彈簧墊圈	M6(HEAT TREATMENT)	7.00	EA
7.00	GX 000022143F	COVER, TOP CURTAIN	上遮板-光柵用(GX1300#50-32T)	L1796XW162XH78	1.00	EA
8.00	MS 0103618	SOCKET HEAD CAP SCREW	六角穴圓頭螺絲	M6XP1.0XL20	4.00	EA
9.00	MW 0183610	SPRING WASHER	彈簧墊圈	M6(HEAT TREATMENT)	4.00	EA
10.01	GXA000022139F	SUPPORT, UNDER CURTAIN	下遮板-光柵用(GX1300#50-24/32T)	L1751XW94XH77.3	1.00	EA
11.00	MS 0103618	SOCKET HEAD CAP SCREW	六角穴圓頭螺絲	M6XP1.0XL20	4.00	EA
12.00	MW 0183610	SPRING WASHER	彈簧墊圈	M6(HEAT TREATMENT)	4.00	EA



MODEL: GX1300#40-40T	PART NUMBER	GX 001045318D
PART NAME	ENCLOSURE ASSM.	
夕外板板金	PAGE	1 DF 3
DATE 2014/1/23	SCALE	1:22
DRAWN	REV.	A

REV	DESCRIPTION	DATE	ECN
A	新仕様	2014/1/23	000354

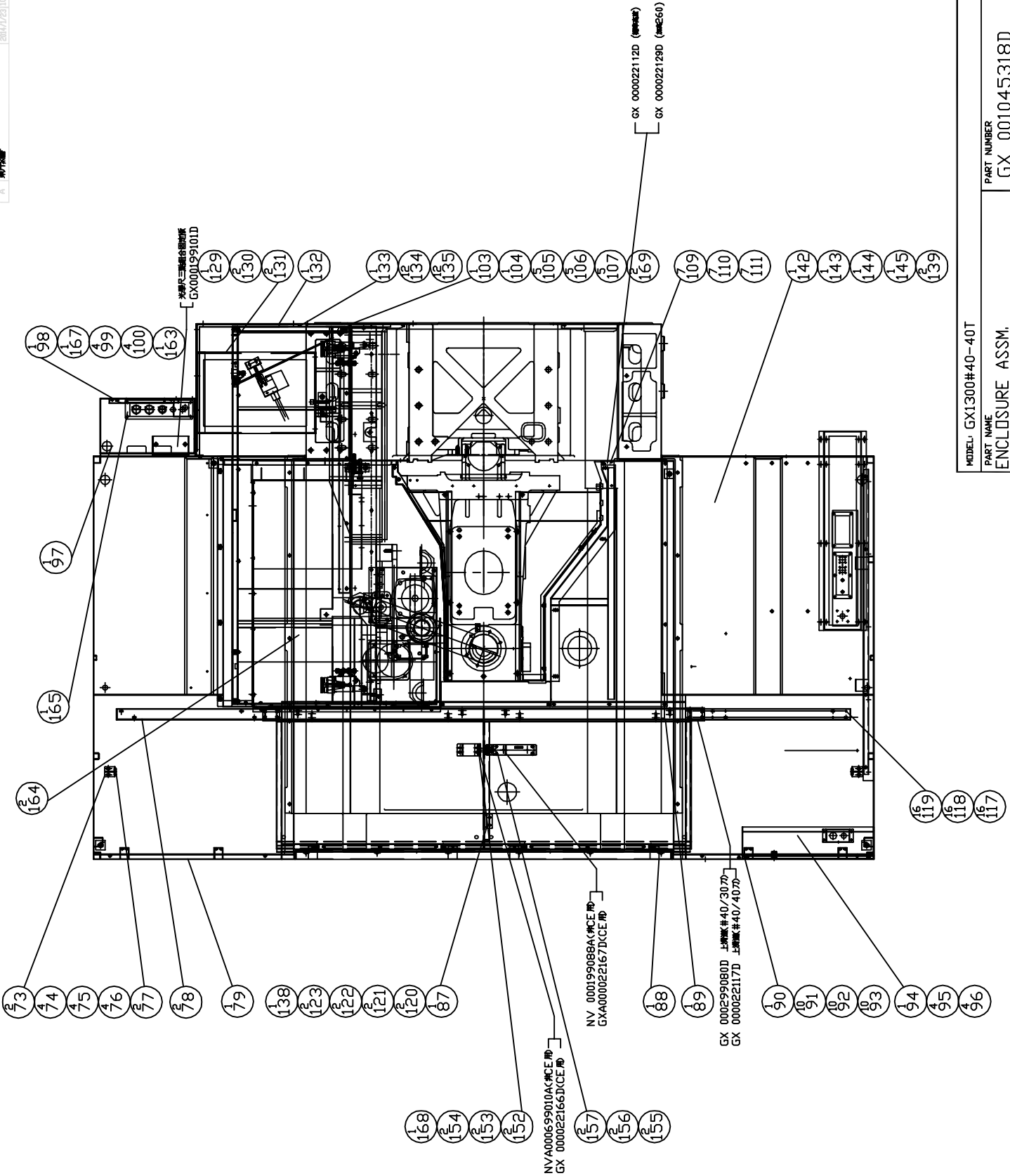
前扉動力板  
 GX 001045358D-BOM [Window t=8mm/12K(金)以下]  
 GX 001045359D-BOM [Window t=12mm/12K~15K(金)]



MODEL: GX1300#40-40T	PART NUMBER: GX 001045318D
PART NAME: ENCLOSURE ASSM. 外装基板金	PAGE: 2 OF 3
DATE: 2014/1/23	REV: T
DRAWN: KIN	SCALE: 1:20
CHECK: GARY	



REV	DESCRIPTION	DATE	ENR
A	新仕様	2014/1/23	1003544



MODEL: GX1300#40-40T	PART NUMBER GX 001045318D
PART NAME ENCLOSURE ASSM.	PAGE 3 OF 3
DATE 2014/1/23	REV. A
DARRIN KENNEY	SCALE 1:24

\*\*\*\*\*  
**PRODUCT BOM MASTER AND SUB-ITEMS LIST**  
 \*\*\*\*\*

Master Item Part NO.: GX 001045318D

Description: ENCLOSURE ASSM.

外型板金#40-40T

Item	Part NO.	Description	中文名稱	Specification	Qty	Unit
1.00	GX 000022101D	PLATE,RIGHT SPLASH GUARD	右擋水板	L1477XW587XH12	1.00	EA
2.00	GX 000022102D	PLATE,LEFT SPLASH GUARD	左擋水板	L1477XW587XH12	1.00	EA
3.00	MS 0103617	SOCKET HEAD CAP SCREW	六角穴圓頭螺絲	M6XP1.0XL16	14.00	EA
4.00	MW 0103610	FLAT WASHER	平墊圈	M6(D6*D19*H2)	14.00	EA
5.00	MW 0183610	SPRING WASHER	彈簧墊圈	M6(HEAT TREATMENT)	14.00	EA
7.00	MS 0103617	SOCKET HEAD CAP SCREW	六角穴圓頭螺絲	M6XP1.0XL16	8.00	EA
8.00	MW 0103610	FLAT WASHER	平墊圈	M6(D6*D19*H2)	8.00	EA
9.00	MW 0183610	SPRING WASHER	彈簧墊圈	M6(HEAT TREATMENT)	8.00	EA
10.00	NV 00103590107	SST HANDLE, ARC TYPE	不鏽鋼弧形把手(P=600)	不鏽鋼弧形把手(P=600)MS-737-4-700-600	2.00	EA
12.00	GX 000199078D	PLATE,MIDDLE GUARD	中外型板金擋板	L1579XW39.1XH34	1.00	EA
13.00	MS 0104019	SOCKET HEAD CAP SCREW	六角穴圓頭螺絲	M10XP1.5XL25	24.00	EA
14.00	MW 0184010	SPRING WASHER	彈簧墊圈	M10(HEAT TREATMENT)	24.00	EA
15.00	MW 0104010	FLAT WASHER	平墊圈	M10	24.00	EA
16.00	NVB000022225A	SIDE DOOR, UPPER	側門(上)	L850XW602XH24.3	2.00	EA
17.00	MS 0103617	SOCKET HEAD CAP SCREW	六角穴圓頭螺絲	M6XP1.0XL16	8.00	EA
18.00	MW 0183610	SPRING WASHER	彈簧墊圈	M6(HEAT TREATMENT)	8.00	EA
19.00	NV 00106420103	RUBBER SEAL, SIDE DOOR	發泡橡膠	W20X3T(1捲=15米)	2.00	MT
29.00	NV 00103590106	COMPRESSION EXTENSIBLE LATCH	迫緊式伸縮門鎖	MS816-1	4.00	ST
30.00	NV 000022226A	SIDE DOOR, LOWER	側門(下)	L850XW602XH24.3	2.00	EA
31.00	NV 00106420101	RUBBER SEAL, SIDE DOOR	發泡橡膠	W20X2T	2.00	MT

\*\*\*\*\*  
**PRODUCT BOM MASTER AND SUB-ITEMS LIST**  
 \*\*\*\*\*

Item	Part NO.	Description	中文名稱	Specification	Qty	Unit
32.00	NV 000942400A	ROLLER, DOOR	滑輪	D54XL29	4.00	EA
33.00	NV 00082310101	RING, C-RETAINING	C型內扣	R-28	4.00	EA
34.00	NV 00002660104	BALL BEARING	單列深槽滾珠軸承	6001ZZ	4.00	EA
35.00	NV 000378000D	SEAT, DOOR ROLLER	輪座板	L825XW50XH28.3	2.00	EA
36.00	GX 000299078D	FRONT PLATE,ENCLOURE	前護板	L1704XW35.4XH20	1.00	EA
37.00	MS 0103314	SOCKET HD. CAP SCREW	六角穴圓頭螺絲	M3XP0.5XL8	4.00	EA
38.00	MW 0183310	SPRING WASHER	彈簧墊圈	M3(HEAT TREATMENT)	4.00	EA
39.00	NV 00082310201	RING, C-RETAINING	C型外扣	S-12	8.00	EA
40.00	NV 00002660104	BALL BEARING	單列深槽滾珠軸承	6001ZZ	8.00	EA
41.00	NV 000403801D	SHAFT, DOOR ROLLER	輪軸	D14.3XL28.5	8.00	EA
42.00	MS 0103617	SOCKET HEAD CAP SCREW	六角穴圓頭螺絲	M6XP1.0XL16	8.00	EA
43.00	MW 0183610	SPRING WASHER	彈簧墊圈	M6(HEAT TREATMENT)	8.00	EA
44.00	MW 0103610	FLAT WASHER	平墊圈	M6(D6*D19*H2)	8.00	EA
45.00	GX 000199053D	COVER	蓋	L1693XW56.6XH141.5	2.00	EA
51.00	MS 0103617	SOCKET HEAD CAP SCREW	六角穴圓頭螺絲	M6XP1.0XL16	20.00	EA
52.00	MW 0103610	FLAT WASHER	平墊圈	M6(D6*D19*H2)	20.00	EA
53.00	MW 0183610	SPRING WASHER	彈簧墊圈	M6(HEAT TREATMENT)	20.00	EA
55.00	GX 000299083D	SUPPORT, GUARD	外型板金支撐架	L590.7XW99.9XH237.3	6.00	EA
66.01	GX 000299085D	DOOR, GUARD FRONT LEFT	左活動門	L900XW593XH1484.7	1.00	EA
67.01	GX 000299084D	DOOR, GUARD FRONT RIGHT	右活動門	L875XW593XH1487	1.00	EA
71.00	MS 0103617	SOCKET HEAD CAP SCREW	六角穴圓頭螺絲	M6XP1.0XL16	28.00	EA
72.00	MW 0183610	SPRING WASHER	彈簧墊圈	M6(HEAT TREATMENT)	28.00	EA
73.00	NVA000599084A	STOPER, DOOR	止動塊	L71XW40XH35	2.00	EA

\*\*\*\*\*  
**PRODUCT BOM MASTER AND SUB-ITEMS LIST**  
 \*\*\*\*\*

Item	Part NO.	Description	中文名稱	Specification	Qty	Unit
74.00	MS 0103516	SOCKET HEAD CAP SCREW	六角穴圓頭螺絲	M5XP0.8XL12	4.00	EA
75.00	MW 0183510	SPRING WASHER	彈簧墊圈	M5(HEAT TREATMENT)	4.00	EA
76.00	MW 0103510	FLAT WASHER	平墊圈	M5	4.00	EA
77.00	NV 001033102A	PLUG, SPLASH GUARD	孔塞	D30.5XL9.5	2.00	EA
78.00	GX 000299079D	DOOR GUIDE,UPPER	上滑道	L698XW49XH46.6	2.00	EA
79.01	GXB000299082D	GUARD,LEFT END	左外型板金(GX1300#40)	L1703XW894XH1842	1.00	EA
80.00	GX 000299077D	ROD,FRONT DOOR GUIDE	前門滑道	L1507.5XW25.4XH25.4	2.00	EA
87.00	GX 000199057D	SEAT,DOOR SWITCH	開關座	L50XW25XH20	1.00	EA
88.00	GX 000022108D	MIDDLE GUARD	中外型板金	L1593XW52XH330	1.00	EA
90.00	GXB000299081D	GUARD,RIGHT END	右外型板金(GX1300#40)	L1703XW894XH1842	1.00	EA
91.00	MS 0103617	SOCKET HEAD CAP SCREW	六角穴圓頭螺絲	M6XP1.0XL16	10.00	EA
92.00	MW 0103610	FLAT WASHER	平墊圈	M6(D6*D19*H2)	10.00	EA
93.00	MW 0183610	SPRING WASHER	彈簧墊圈	M6(HEAT TREATMENT)	10.00	EA
94.00	GX 000199060D	COVER	護蓋	L130XW55XH55	1.00	EA
95.00	MS 0103514	SOCKET HEAD CAP SCREW	六角穴圓頭螺絲	M5XP0.8XL8	4.00	EA
96.00	MW 0183510	SPRING WASHER	彈簧墊圈	M5(HEAT TREATMENT)	4.00	EA
97.00	GX 000199106D	BOX(PNEUMATIC PARTS)	箱(氣壓組件)含刀庫繫停控制盒	L1031XW400XH152.3	1.00	EA
98.00	GXA000199075D	ROTARY DOOR	門鈹	L762XW266XH30	1.00	EA
99.00	MS 0103617	SOCKET HEAD CAP SCREW	六角穴圓頭螺絲	M6XP1.0XL16	4.00	EA
100.00	MW 0183610	SPRING WASHER	彈簧墊圈	M6(HEAT TREATMENT)	4.00	EA
103.00	GXA000199056D	SIDE COVER,COLUMN	立柱側蓋	L1232XW336XH111.3	1.00	EA
104.00	GX 000199063D	ROTARY DOOR	旋轉門	L834XW228XH19	1.00	EA
105.00	MS 0103617	SOCKET HEAD CAP SCREW	六角穴圓頭螺絲	M6XP1.0XL16	5.00	EA

\*\*\*\*\*  
**PRODUCT BOM MASTER AND SUB-ITEMS LIST**  
 \*\*\*\*\*

Item	Part NO.	Description	中文名稱	Specification	Qty	Unit
106.00	MW 0103610	FLAT WASHER	平墊圈	M6(D6*D19*H2)	5.00	EA
107.00	MW 0183610	SPRING WASHER	彈簧墊圈	M6(HEAT TREATMENT)	5.00	EA
109.00	MW 0183510	SPRING WASHER	彈簧墊圈	M5(HEAT TREATMENT)	7.00	EA
110.00	MW 0103510	FLAT WASHER	平墊圈	M5	7.00	EA
111.00	MS 0103515	SOCKET HEAD CAP SCREW	六角穴圓頭螺絲	M5XP0.8XL10	7.00	EA
117.00	MS 0103515	SOCKET HEAD CAP SCREW	六角穴圓頭螺絲	M5XP0.8XL10	16.00	EA
118.00	MW 0103510	FLAT WASHER	平墊圈	M5	16.00	EA
119.00	MW 0183510	SPRING WASHER	彈簧墊圈	M5(HEAT TREATMENT)	16.00	EA
120.00	MS 0103416	SOCKET HEAD CAP SCREW	六角穴圓頭螺絲	M4XP0.7XL12	2.00	EA
121.00	MW 0103410	FLAT WASHER	平墊圈	M4X10DX1T	2.00	EA
122.00	MW 0183410	SPRING WASHER	彈簧墊圈	M4(HEAT TREATMENT)	2.00	EA
123.00	MN 0113410	HEXAGON NUT	六角螺帽	M4XP0.7	2.00	EA
124.00	GXB001010900D	NOZZLE	切削水接頭	L1450XD27.2	2.00	EA
125.00	NV 000022137D	BRACKET	固定塊	L55XW38XH5	4.00	EA
126.00	MW 0103610	FLAT WASHER	平墊圈	M6(D6*D19*H2)	8.00	EA
127.00	MW 0183610	SPRING WASHER	彈簧墊圈	M6(HEAT TREATMENT)	8.00	EA
128.00	MS 0103617	SOCKET HEAD CAP SCREW	六角穴圓頭螺絲	M6XP1.0XL16	8.00	EA
129.00	GX 000299090D	SUPPORTER, REAR COVER	背側板金支撐架	L509W344H70	1.00	EA
130.00	MS 0103820	SOCKET HEAD CAP SCREW	六角穴圓頭螺絲	M8XP1.25XL30	2.00	EA
131.00	MW 0183810	SPRING WASHER	彈簧墊圈	M8(HEAT TREATMENT)	2.00	EA
132.02	GX 000599029D	REAR COVER	背側蓋板#40-40T	L1320XW931XH557.3	1.00	EA
133.00	GXA000299092D	REAR COVER(1)	背側蓋板(1)	L1320XW936XH557.3	1.00	EA
134.00	MS 0103617	SOCKET HEAD CAP SCREW	六角穴圓頭螺絲	M6XP1.0XL16	12.00	EA

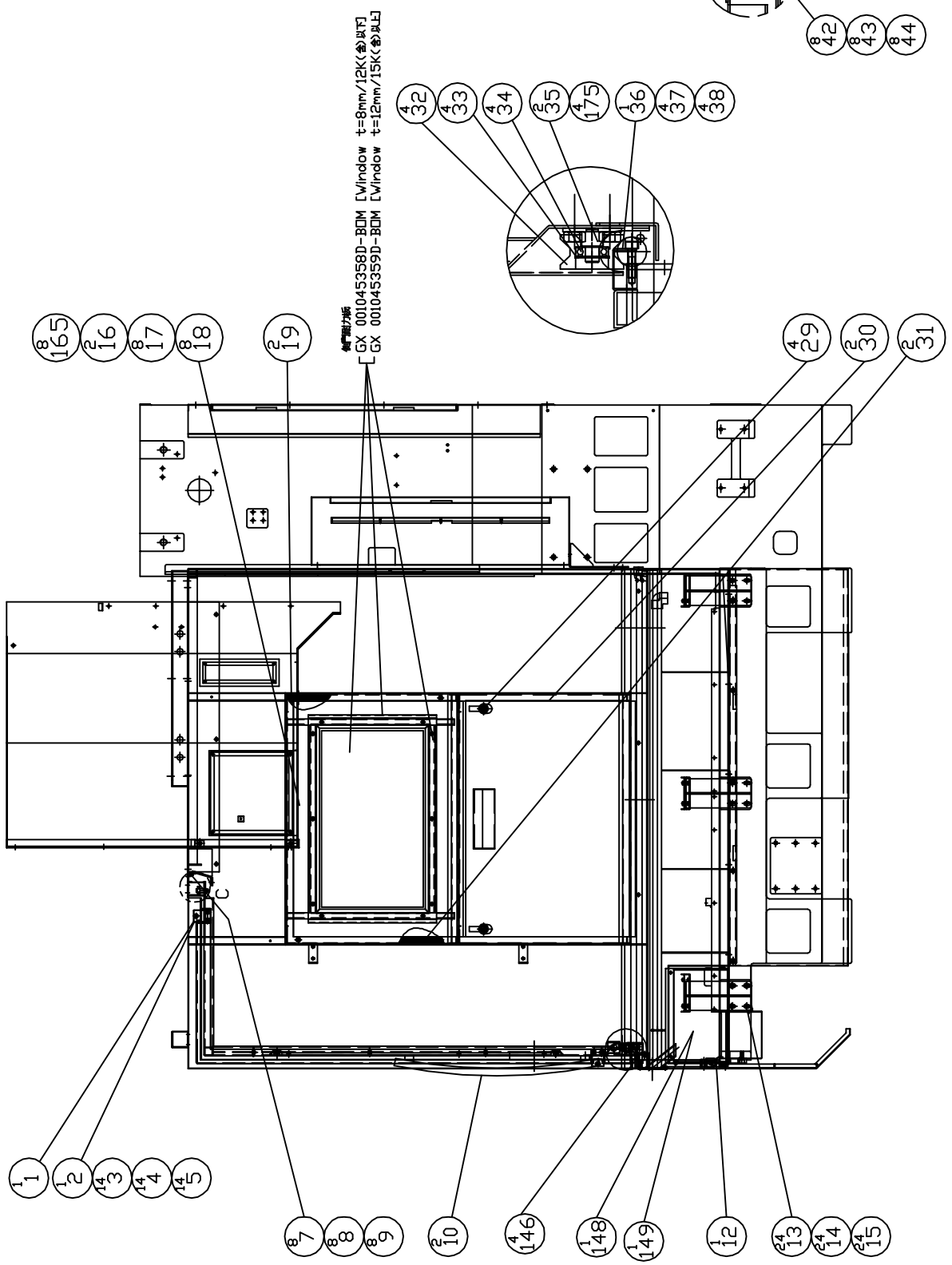
\*\*\*\*\*  
PRODUCT BOM MASTER AND SUB-ITEMS LIST  
\*\*\*\*\*

Item	Part NO.	Description	中文名稱	Specification	Qty	Unit
135.00	MW 0183610	SPRING WASHER	彈簧墊圈	M6(HEAT TREATMENT)	12.00	EA
138.00	GX 00103590101	LATCH, COPPER, TWIN BALL	銅雙珠門擋[允際]	[TAI SAM]TK-60	1.00	ST
139.00	GX 000299005D	PLATE	護板	L1623XW89.8XT2.3	2.00	ST
142.00	GX 000299001D	PLATE	護板(右後)	L836XW762XT1.2	1.00	ST
143.00	GX 000299002D	PLATE	護板(右前)	L836XW926.4XT1.2	1.00	ST
144.00	GX 000299003D	PLATE	護板(左後)	L836XW762XT1.2	1.00	ST
145.00	GX 000299004D	PLATE	護板(左前)	L836XW926.4XT1.2	1.00	ST
146.01	NVA000899025A	PLATE, FRONT DOOR	前門護板	L53XW32XH32	4.00	EA
148.00	GXA000399090D	COVER, RIGHT	蓋板, 右 (右側無除屑機時)	L331XW205XH37.3	1.00	EA
149.00	GXA000399091D	COVER, LEFT	蓋板, 左 (左側無除屑機時)	L331XW205XH12	1.00	EA
152.00	MS 0103415	SOCKET HEAD CAP SCREW	六角穴圓頭螺絲	M4XP0.7XL10	2.00	EA
153.00	MW 0183410	SPRING WASHER	彈簧墊圈	M4(HEAT TREATMENT)	2.00	EA
154.00	MW 0103410	FLAT WASHER	平墊圈	M4X10DX1T	2.00	EA
155.00	MS 0103414	SOCKET HEAD CAP SCREW	六角穴圓頭螺絲	M4XP0.7XL8	2.00	EA
156.00	MW 0183410	SPRING WASHER	彈簧墊圈	M4(HEAT TREATMENT)	2.00	EA
157.00	MW 0103410	FLAT WASHER	平墊圈	M4X10DX1T	2.00	EA
159.00	GXA000399103D	COVER PLATE, GUARD RIGHT	右側蓋板(前)	H1353XW405.3XH22	1.00	EA
160.00	GX 000199190D	SIDE COVER,PLATE(FRON)	側蓋固定板(前)	L1286XW55XH27	1.00	EA
161.00	GX 000399101D	PLATE,WASH DOWN	噴槍護板	H100X70XT2.0	1.00	EA
162.00	GX 000399102D	BRACKET,WASH DOWN	噴槍固定座	H100XW70X65.8	1.00	EA
163.00	NV 001044901J	WINDOW, DOOR	壓克力板	L428XW178XH2	1.00	EA
164.00	GX 000599006D	PLATE	護板	L1497XW193XH90.1	2.00	EA
165.00	GX 000499087D	PLATE,WIRE OUTLOOK	出線板	L270XW80XH2.3	1.00	EA

PRODUCT BOM MASTER AND SUB-ITEMS LIST  
\*\*\*\*\*

Item	Part NO.	Description	中文名稱	Specification	Qty	Unit
166.00	NV 00082310113	RING, C-RETAINING	C型內扣	R-12	8.00	EA
167.00	NV 00103590109	COMPRESSION EXTENSIBLE LATCH	迫緊式伸縮門鎖	MS816-3	1.00	ST
168.00	GH 000022163B	PLATE	插銷固定板	L50XW10XH2.3	1.00	EA
169.00	NV 00103590110	LATCH	平面型迫緊門扣[允際]	[TAI-SAN]MS-732-2A	2.00	EA
175.00	NV 000403802A	SHAFT, DOOR ROLLER	輪軸	D18XL27.5	4.00	EA

REV	DESCRIPTION	DATE	EDN
A	新仕様	2007/02/13	SOE
B	規格 GX 001045358E 仕様書(2mm/6mm仕様書) 2007/07/21	2007/07/21	664
C	規格 GX 001045359D 仕様書 2007/08/21	2007/08/21	671
D	規格 GX 001045359D 仕様書 2007/08/29	2007/08/29	762
E	規格 GX 001045359D 仕様書 2007/11/17	2007/11/17	B-4-2
F	規格 GX 001045359D 仕様書 2008/02/10	2008/02/10	1027
G	規格 GX 001045359D 仕様書 - Curcel 2008/02/14	2008/02/14	1049
H	規格 GX 001045359D 仕様書 2008/02/19	2008/02/19	1061
I	規格 GX 001045359D 仕様書 2008/02/26	2008/02/26	1057
J	規格 GX 001045359D 仕様書 2008/05/19	2008/05/19	1228
K	規格 GX 001045359D 仕様書 2008/05/19	2008/05/19	1250
L	規格 GX 001045359D 仕様書 2008/06/19	2008/06/19	1325
M	規格 GX 001045359D 仕様書 2008/09/22	2008/09/22	1351
N	規格 GX 001045359D 仕様書 2008/10/21	2008/10/21	1570
O	規格 GX 001045359D 仕様書 2008/10/21	2008/10/21	1585
P	規格 GX 001045359D 仕様書 2008/11/18	2008/11/18	1585
Q	規格 GX 001045359D 仕様書 2009/04/19	2009/04/19	1955
R	規格 GX 001045359D 仕様書 2009/09/28	2009/09/28	1992
S	規格 GX 001045359D 仕様書 2009/12/20	2009/12/20	2028
T	規格 GX 001045359D 仕様書 2010/04/27	2010/04/27	2203
U	規格 GX 001045359D 仕様書 2012/02/10	2012/02/10	3203



MODEL	GX1600#40
PART NAME	ENCLOSURE ASSM.
PART NUMBER	GX 001045313E
PAGE	1 OF 3
DATE	2007/2/13
SCALE	1:22
REV.	T



\*\*\*\*\*  
**PRODUCT BOM MASTER AND SUB-ITEMS LIST**  
 \*\*\*\*\*

Master Item Part NO.: GX 001045313E

Description: ENCLOSURE ASSM.

外型板金#40-30T

Item	Part NO.	Description	中文名稱	Specification	Qty	Unit
1.00	GX 000022101D	PLATE,RIGHT SPLASH GUARD	右擋水板	L1477XW587XH12	1.00	EA
2.00	GX 000022102D	PLATE,LEFT SPLASH GUARD	左擋水板	L1477XW587XH12	1.00	EA
3.00	MS 0103617	SOCKET HEAD CAP SCREW	六角穴圓頭螺絲	M6XP1.0XL16	14.00	EA
4.00	MW 0103610	FLAT WASHER	平墊圈	M6(D6*D19*H2)	14.00	EA
5.00	MW 0183610	SPRING WASHER	彈簧墊圈	M6(HEAT TREATMENT)	14.00	EA
7.00	MS 0103617	SOCKET HEAD CAP SCREW	六角穴圓頭螺絲	M6XP1.0XL16	8.00	EA
8.00	MW 0103610	FLAT WASHER	平墊圈	M6(D6*D19*H2)	8.00	EA
9.00	MW 0183610	SPRING WASHER	彈簧墊圈	M6(HEAT TREATMENT)	8.00	EA
10.00	NV 00103590107	SST HANDLE, ARC TYPE	不鏽鋼弧形把手(P=600)	不鏽鋼弧形把手(P=600)MS-737-4-700-600	2.00	EA
12.00	GX 000199078D	PLATE,MIDDLE GUARD	中外型板金擋板	L1579XW39.1XH34	1.00	EA
13.00	MS 0104019	SOCKET HEAD CAP SCREW	六角穴圓頭螺絲	M10XP1.5XL25	24.00	EA
14.00	MW 0184010	SPRING WASHER	彈簧墊圈	M10(HEAT TREATMENT)	24.00	EA
15.00	MW 0104010	FLAT WASHER	平墊圈	M10	24.00	EA
16.03	NVB000022225A	SIDE DOOR, UPPER	側門(上)	L850XW602XH24.3	2.00	EA
17.00	MS 0103617	SOCKET HEAD CAP SCREW	六角穴圓頭螺絲	M6XP1.0XL16	8.00	EA
18.00	MW 0183610	SPRING WASHER	彈簧墊圈	M6(HEAT TREATMENT)	8.00	EA
19.00	NV 00106420103	RUBBER SEAL, SIDE DOOR	發泡橡膠	W20X3T(1捲=15米)	2.00	MT
29.00	NV 00103590106	COMPRESSION EXTENSIBLE LATCH	迫緊式伸縮門鎖	MS816-1	4.00	ST
30.01	NV 000022226A	SIDE DOOR, LOWER	側門(下)	L850XW602XH24.3	2.00	EA
31.00	NV 00106420101	RUBBER SEAL, SIDE DOOR	發泡橡膠	W20X2T	2.00	MT

\*\*\*\*\*  
**PRODUCT BOM MASTER AND SUB-ITEMS LIST**  
 \*\*\*\*\*

Item	Part NO.	Description	中文名稱	Specification	Qty	Unit
32.00	NV 000942400A	ROLLER, DOOR	滑輪	D54XL29	4.00	EA
33.00	NV 00082310101	RING, C-RETAINING	C型內扣	R-28	4.00	EA
34.00	NV 00002660104	BALL BEARING	單列深槽滾珠軸承	6001ZZ	4.00	EA
35.00	NV 000378000E	SEAT, DOOR ROLLER	輪座板	L952XW50XH28.3	2.00	EA
36.00	GX 000022103E	FRONT PLATE,ENCLOURE	前護板	L2004XW35.4XH20	1.00	EA
37.00	MS 0103314	SOCKET HD. CAP SCREW	六角穴圓頭螺絲	M3XP0.5XL8	4.00	EA
38.00	MW 0183310	SPRING WASHER	彈簧墊圈	M3(HEAT TREATMENT)	4.00	EA
39.00	NV 00082310201	RING, C-RETAINING	C型外扣	S-12	8.00	EA
40.00	NV 00002660104	BALL BEARING	單列深槽滾珠軸承	6001ZZ	8.00	EA
41.00	NV 000403801D	SHAFT, DOOR ROLLER	輪軸	D14.3XL28.5	8.00	EA
42.00	MS 0103617	SOCKET HEAD CAP SCREW	六角穴圓頭螺絲	M6XP1.0XL16	8.00	EA
43.00	MW 0183610	SPRING WASHER	彈簧墊圈	M6(HEAT TREATMENT)	8.00	EA
44.00	MW 0103610	FLAT WASHER	平墊圈	M6(D6*D19*H2)	8.00	EA
45.01	GX 000199053D	COVER	蓋	L1693XW56.6XH141.5	2.00	EA
51.00	MS 0103617	SOCKET HEAD CAP SCREW	六角穴圓頭螺絲	M6XP1.0XL16	20.00	EA
52.00	MW 0103610	FLAT WASHER	平墊圈	M6(D6*D19*H2)	20.00	EA
53.00	MW 0183610	SPRING WASHER	彈簧墊圈	M6(HEAT TREATMENT)	20.00	EA
55.02	GX 000199052E	SUPPORT, GUARD	外型板金支撐架	L754XW100XH225	6.00	EA
66.02	GX 000378001E	DOOR, GUARD FRONT LEFT	左活動門	L1050XW1787XH653	1.00	EA
67.02	GX 000378000E	DOOR, GUARD FRONT RIGHT	右活動門	L1025XW1487XH653	1.00	EA
71.00	MS 0103617	SOCKET HEAD CAP SCREW	六角穴圓頭螺絲	M6XP1.0XL16	28.00	EA
72.00	MW 0183610	SPRING WASHER	彈簧墊圈	M6(HEAT TREATMENT)	28.00	EA
73.01	NVA000599084A	STOPER, DOOR	止動塊	L71XW40XH35	2.00	EA

\*\*\*\*\*  
**PRODUCT BOM MASTER AND SUB-ITEMS LIST**  
 \*\*\*\*\*

Item	Part NO.	Description	中文名稱	Specification	Qty	Unit
74.00	MS 0103516	SOCKET HEAD CAP SCREW	六角穴圓頭螺絲	M5XP0.8XL12	4.00	EA
75.00	MW 0183510	SPRING WASHER	彈簧墊圈	M5(HEAT TREATMENT)	4.00	EA
76.00	MW 0103510	FLAT WASHER	平墊圈	M5	4.00	EA
77.00	NV 001033102A	PLUG, SPLASH GUARD	孔塞	D30.5XL9.5	2.00	EA
78.00	GX 000022104E	DOOR GUIDE,UPPER	上滑道	L848XW49XH46.6	2.00	EA
79.16	GXB000022107E	GUARD,LEFT END	左外型板金(GX1600#40)	L1703XW1194XH1842	1.00	EA
80.00	GX 000022100E	ROD,FRONT DOOR GUIDE	前門滑道	D1"XL1807.5	2.00	EA
87.02	GX 000199057D	SEAT,DOOR SWITCH	開關座	L50XW25XH20	1.00	EA
88.01	GX 000022108D	MIDDLE GUARD	中外型板金	L1593XW52XH330	1.00	EA
90.11	GXB000022106E	GUARD,RIGHT END	右外型板金(GX1600#40)	L1703XW1194XH1842	1.00	EA
91.00	MS 0103617	SOCKET HEAD CAP SCREW	六角穴圓頭螺絲	M6XP1.0XL16	10.00	EA
92.00	MW 0103610	FLAT WASHER	平墊圈	M6(D6*D19*H2)	10.00	EA
93.00	MW 0183610	SPRING WASHER	彈簧墊圈	M6(HEAT TREATMENT)	10.00	EA
94.00	GX 000199060D	COVER	護蓋	L130XW55XH55	1.00	EA
95.00	MS 0103514	SOCKET HEAD CAP SCREW	六角穴圓頭螺絲	M5XP0.8XL8	4.00	EA
96.00	MW 0183510	SPRING WASHER	彈簧墊圈	M5(HEAT TREATMENT)	4.00	EA
97.09	GXA000199069D	BOX(PNEUMATIC PARTS)	箱(氣壓組件)	L880XW400XH152.3	1.00	EA
98.02	GXA000199075D	ROTARY DOOR	門鈹	L762XW266XH30	1.00	EA
99.00	MS 0103617	SOCKET HEAD CAP SCREW	六角穴圓頭螺絲	M6XP1.0XL16	4.00	EA
100.00	MW 0183610	SPRING WASHER	彈簧墊圈	M6(HEAT TREATMENT)	4.00	EA
103.04	GXA000199056D	SIDE COVER,COLUMN	立柱側蓋	L1232XW336XH111.3	1.00	EA
104.00	GX 000199063D	ROTARY DOOR	旋轉門	L834XW228XH19	1.00	EA
105.00	MS 0103617	SOCKET HEAD CAP SCREW	六角穴圓頭螺絲	M6XP1.0XL16	5.00	EA

\*\*\*\*\*  
**PRODUCT BOM MASTER AND SUB-ITEMS LIST**  
 \*\*\*\*\*

Item	Part NO.	Description	中文名稱	Specification	Qty	Unit
106.00	MW 0103610	FLAT WASHER	平墊圈	M6(D6*D19*H2)	5.00	EA
107.00	MW 0183610	SPRING WASHER	彈簧墊圈	M6(HEAT TREATMENT)	5.00	EA
109.00	MW 0183510	SPRING WASHER	彈簧墊圈	M5(HEAT TREATMENT)	7.00	EA
110.00	MW 0103510	FLAT WASHER	平墊圈	M5	7.00	EA
111.00	MS 0103515	SOCKET HEAD CAP SCREW	六角穴圓頭螺絲	M5XP0.8XL10	7.00	EA
117.00	MS 0103515	SOCKET HEAD CAP SCREW	六角穴圓頭螺絲	M5XP0.8XL10	16.00	EA
118.00	MW 0103510	FLAT WASHER	平墊圈	M5	16.00	EA
119.00	MW 0183510	SPRING WASHER	彈簧墊圈	M5(HEAT TREATMENT)	16.00	EA
120.00	MS 0103416	SOCKET HEAD CAP SCREW	六角穴圓頭螺絲	M4XP0.7XL12	2.00	EA
121.00	MW 0103410	FLAT WASHER	平墊圈	M4X10DX1T	2.00	EA
122.00	MW 0183410	SPRING WASHER	彈簧墊圈	M4(HEAT TREATMENT)	2.00	EA
123.00	MN 0113410	HEXAGON NUT	六角螺帽	M4XP0.7	2.00	EA
124.03	GXB001010900D	NOZZLE	切削水接頭	L1450XD27.2	2.00	EA
125.01	NV 000022137D	BRACKET	固定塊	L55XW38XH5	4.00	EA
126.00	MW 0103610	FLAT WASHER	平墊圈	M6(D6*D19*H2)	8.00	EA
127.00	MW 0183610	SPRING WASHER	彈簧墊圈	M6(HEAT TREATMENT)	8.00	EA
128.00	MS 0103617	SOCKET HEAD CAP SCREW	六角穴圓頭螺絲	M6XP1.0XL16	8.00	EA
129.00	GX 000299090D	SUPPORTER, REAR COVER	背側板金支撐架	L509W344H70	1.00	EA
130.00	MS 0103820	SOCKET HEAD CAP SCREW	六角穴圓頭螺絲	M8XP1.25XL30	2.00	EA
131.00	MW 0183810	SPRING WASHER	彈簧墊圈	M8(HEAT TREATMENT)	2.00	EA
132.02	GX 000299091D	REAR COVER(2)	背側蓋板(2)	L557.3XW486.5XH500	1.00	EA
133.08	GXA000299092D	REAR COVER(1)	背側蓋板(1)	L1320XW936XH557.3	1.00	EA
134.00	MS 0103617	SOCKET HEAD CAP SCREW	六角穴圓頭螺絲	M6XP1.0XL16	12.00	EA

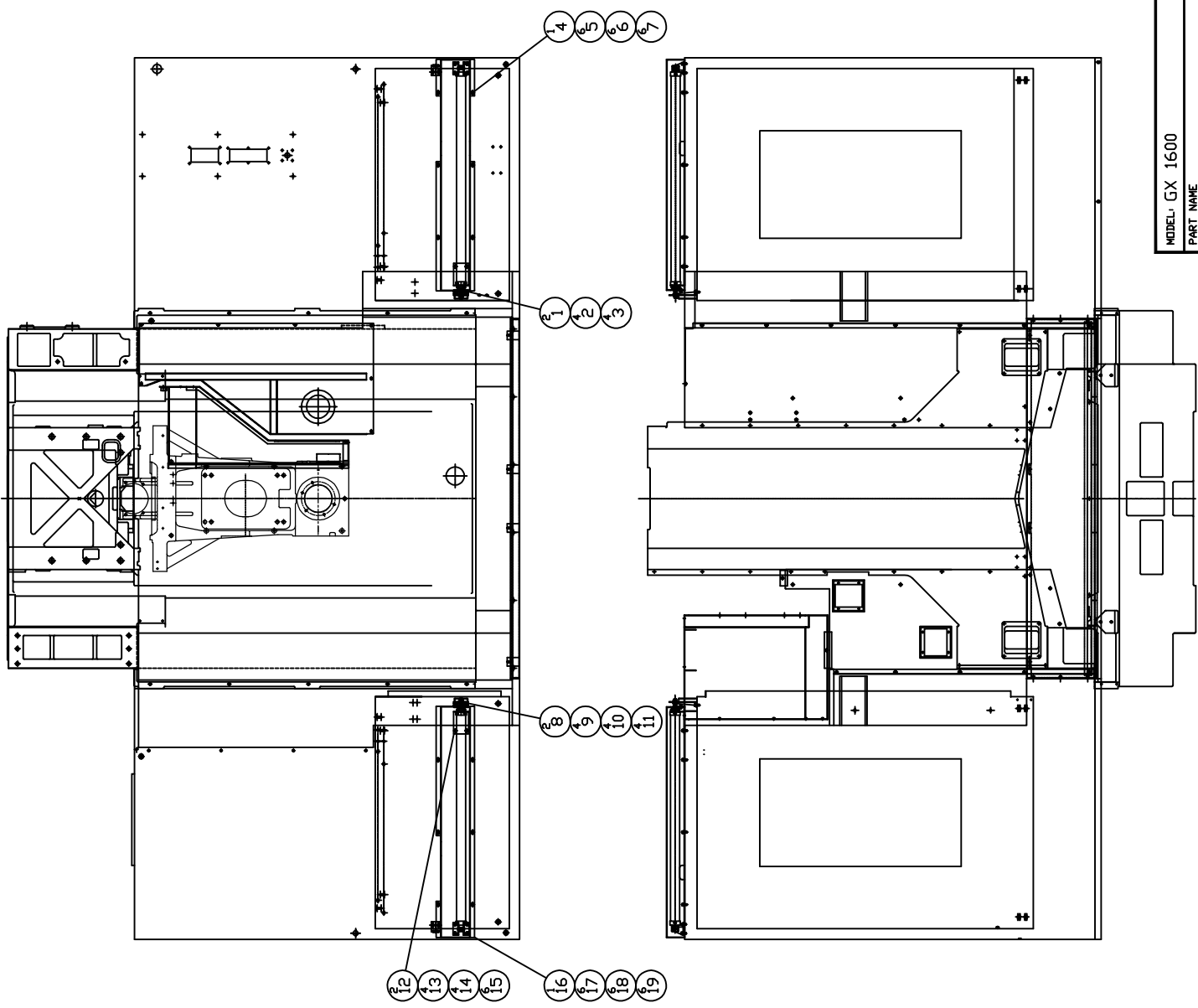
\*\*\*\*\*  
**PRODUCT BOM MASTER AND SUB-ITEMS LIST**  
 \*\*\*\*\*

Item	Part NO.	Description	中文名稱	Specification	Qty	Unit
135.00	MW 0183610	SPRING WASHER	彈簧墊圈	M6(HEAT TREATMENT)	12.00	EA
137.00	GX 000399006D	COVER(REAR COVER)	蓋板(背側蓋板)	L998XW598XH2.3	1.00	ST
138.00	GX 00103590101	LATCH, COPPER, TWIN BALL	銅雙珠門擋[允際]	[TAI SAM]TK-60	1.00	ST
139.00	GX 000299005D	PLATE	護板	L1623XW89.8XT2.3	2.00	ST
142.00	GX 000299001E	PLATE	護板(右後)	L1153.5XW762XT1.2	1.00	ST
143.00	GX 000299002E	PLATE	護板(右前)	L1153.5XW926.4XT1.2	1.00	ST
144.00	GX 000299003E	PLATE	護板(左後)	L1153.5XW762XT1.2	1.00	ST
145.00	GX 000299004E	PLATE	護板(左前)	L1153.5XW926.4XT1.2	1.00	ST
146.02	NVA000899025A	PLATE, FRONT DOOR	前門護板	L53XW32XH32	4.00	EA
148.02	GXA000399090D	COVER, RIGHT	蓋板, 右 (右側無除屑機時)	L331XW205XH37.3	1.00	EA
149.02	GXA000399091D	COVER, LEFT	蓋板, 左 (左側無除屑機時)	L331XW205XH12	1.00	EA
152.00	MS 0103415	SOCKET HEAD CAP SCREW	六角穴圓頭螺絲	M4XP0.7XL10	2.00	EA
153.00	MW 0183410	SPRING WASHER	彈簧墊圈	M4(HEAT TREATMENT)	2.00	EA
154.00	MW 0103410	FLAT WASHER	平墊圈	M4X10DX1T	2.00	EA
155.00	MS 0103414	SOCKET HEAD CAP SCREW	六角穴圓頭螺絲	M4XP0.7XL8	2.00	EA
156.00	MW 0183410	SPRING WASHER	彈簧墊圈	M4(HEAT TREATMENT)	2.00	EA
157.00	MW 0103410	FLAT WASHER	平墊圈	M4X10DX1T	2.00	EA
159.00	GX 000399101D	PLATE,WASH DOWN	噴槍護板	H100X70XT2.0	1.00	EA
160.00	GX 000399102D	BRACKET,WASH DOWN	噴槍固定座	H100XW70X65.8	1.00	EA
161.00	GX 000199190D	SIDE COVER,PLATE(FRON)	側蓋固定板(前)	L1286XW55XH27	1.00	EA
162.01	GXA000399103D	COVER PLATE, GUARD RIGHT	右側蓋板(前)	H1353XW405.3XH22	1.00	EA
163.01	GX 000599006D	PLATE	護板	L1497XW193XH90.1	2.00	EA
164.00	GX 000499087D	PLATE,WIRE OUTLOOK	出線板	L270XW80XH2.3	1.00	EA

PRODUCT BOM MASTER AND SUB-ITEMS LIST  
\*\*\*\*\*

Item	Part NO.	Description	中文名稱	Specification	Qty	Unit
165.00	NV 00082310113	RING, C-RETAINING	C型內扣	R-12	8.00	EA
166.00	GH 000022163B	PLATE	插銷固定板	L50XW10XH2.3	1.00	EA
167.00	NV 00103590109	COMPRESSION EXTENSIBLE LATCH	迫緊式伸縮門鎖	MS816-3	1.00	EA
168.00	NV 00103590110	LATCH	平面型迫緊門扣[允際]	[TAI-SAN]MS-732-2A	2.00	EA
175.00	NV 000403802A	SHAFT, DOOR ROLLER	輪軸	D18XL27.5	4.00	EA

REV	DESCRIPTION	DATE	ECN
A	新機種	2007/7/17	634
B	BMGX 001066157D-GXARD0066157D	2007/9/11	100370



MODEL: GX 1600	PART NUMBER	GX 001045315E
ENCLOSURE ASSM (AUTO DOOR)	PAGE 1 OF 1	REV. B
外装板金<カロボルト自働扉>	SCALE 1:30	
DATE 2007/7/17	KURT KEN PHL	

# PRODUCT BOM MASTER AND SUB-ITEMS LIST

\*\*\*\*\*

Master Item Part NO.: GX 001045315E

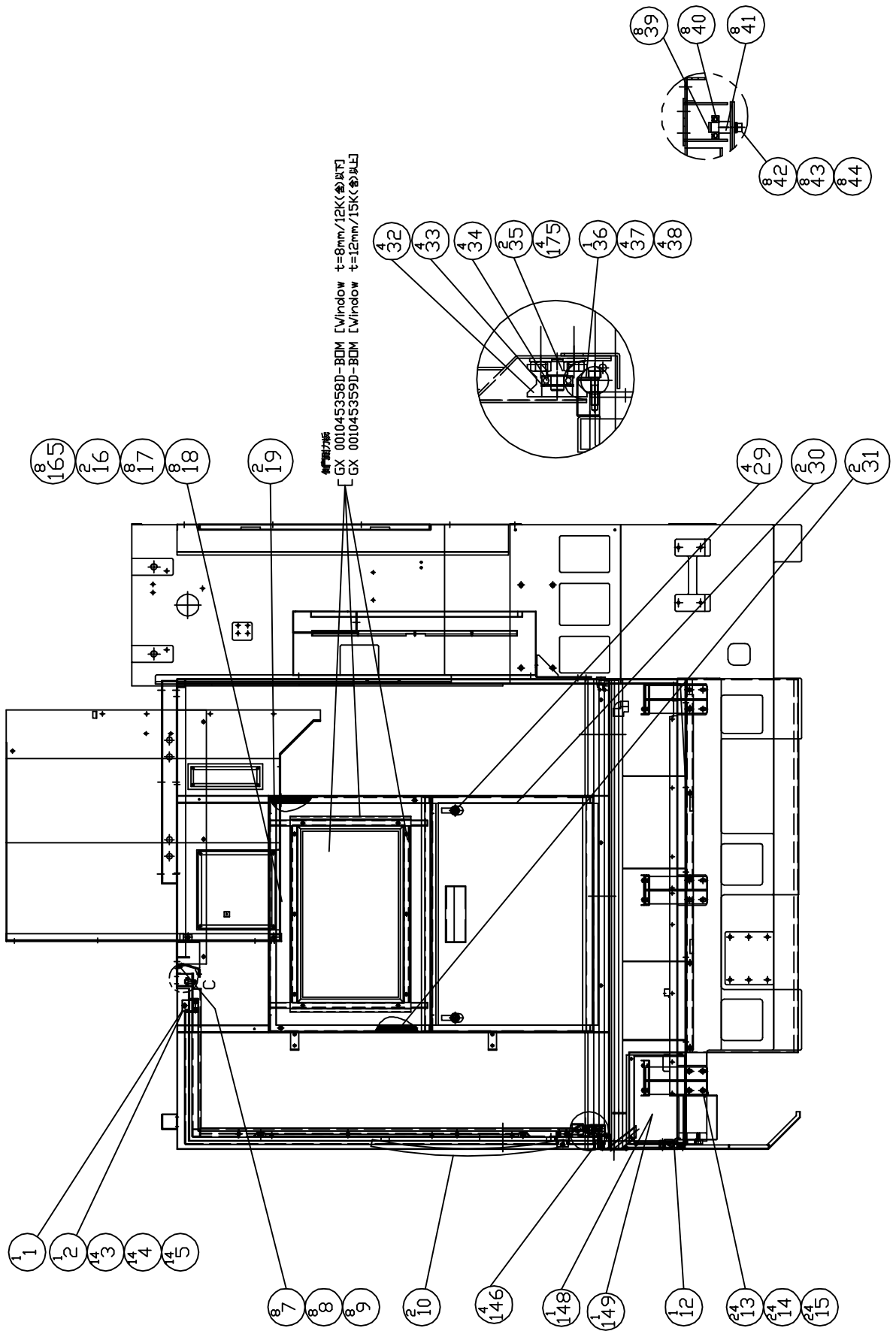
Description: ENCLOSURE-W/AUTO DOOR

外型板金-前門自動門

Item	Part NO.	Description	中文名稱	Specification	Qty	Unit
1.00	GX 000399041D	COVER,CYLINDER	蓋板	L56XW38XT2.3	2.00	ST
2.00	MS 0103514	SOCKET HEAD CAP SCREW	六角穴圓頭螺絲	M5XP0.8XL8	4.00	EA
3.00	MW 0183510	SPRING WASHER	彈簧墊圈	M5(HEAT TREATMENT)	4.00	EA
4.00	GX 000399042E	COVER,RIGHT CYLINDER	護蓋,氣壓缸(右)	L981XW170XH80	1.00	ST
5.00	MS 0103617	SOCKET HEAD CAP SCREW	六角穴圓頭螺絲	M6XP1.0XL16	6.00	EA
6.00	MW 0183610	SPRING WASHER	彈簧墊圈	M6(HEAT TREATMENT)	6.00	EA
7.00	MW 0103610	FLAT WASHER	平墊圈	M6(D6*D19*H2)	6.00	EA
8.01	GXA001066157D	BRACKET,CYLINDER	氣壓缸托架	L113XW65XH40	2.00	EA
9.00	MS 0103617	SOCKET HEAD CAP SCREW	六角穴圓頭螺絲	M6XP1.0XL16	4.00	EA
10.00	MW 0183610	SPRING WASHER	彈簧墊圈	M6(HEAT TREATMENT)	4.00	EA
11.00	MW 0103610	FLAT WASHER	平墊圈	M6(D6*D19*H2)	4.00	EA
12.01	GX 001066158D	BRACKET,CYLINDER	氣壓缸托架	L100XW65XH56.4	2.00	EA
13.00	MS 0103617	SOCKET HEAD CAP SCREW	六角穴圓頭螺絲	M6XP1.0XL16	4.00	EA
14.00	MW 0183610	SPRING WASHER	彈簧墊圈	M6(HEAT TREATMENT)	4.00	EA
15.00	MW 0103610	FLAT WASHER	平墊圈	M6(D6*D19*H2)	4.00	EA
16.00	GX 000399043E	COVER,LEFT CYLINDER	護蓋,氣壓缸(左)	L981XW170XH80	1.00	ST
17.00	MS 0103617	SOCKET HEAD CAP SCREW	六角穴圓頭螺絲	M6XP1.0XL16	6.00	EA
18.00	MW 0183610	SPRING WASHER	彈簧墊圈	M6(HEAT TREATMENT)	6.00	EA
19.00	MW 0103610	FLAT WASHER	平墊圈	M6(D6*D19*H2)	6.00	EA



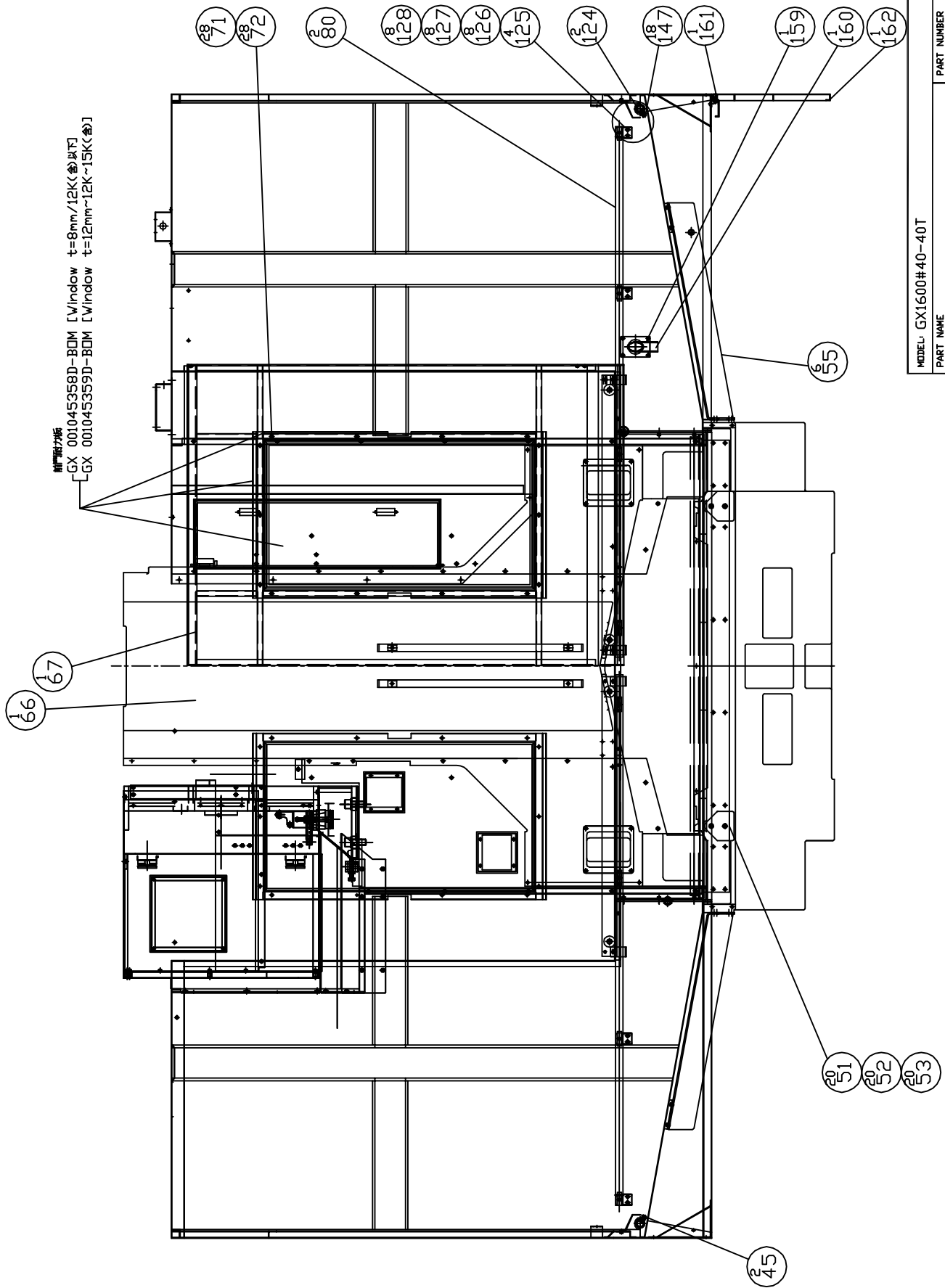
REV	DESCRIPTION	DATE	ECH
A	新設計	2014/1/24	1009547



機内配線  
 GX 001045358D-BDM L/Window t=8mm/12K(金取付)  
 GX 001045359D-BDM L/Window t=12mm/15K(金取付)

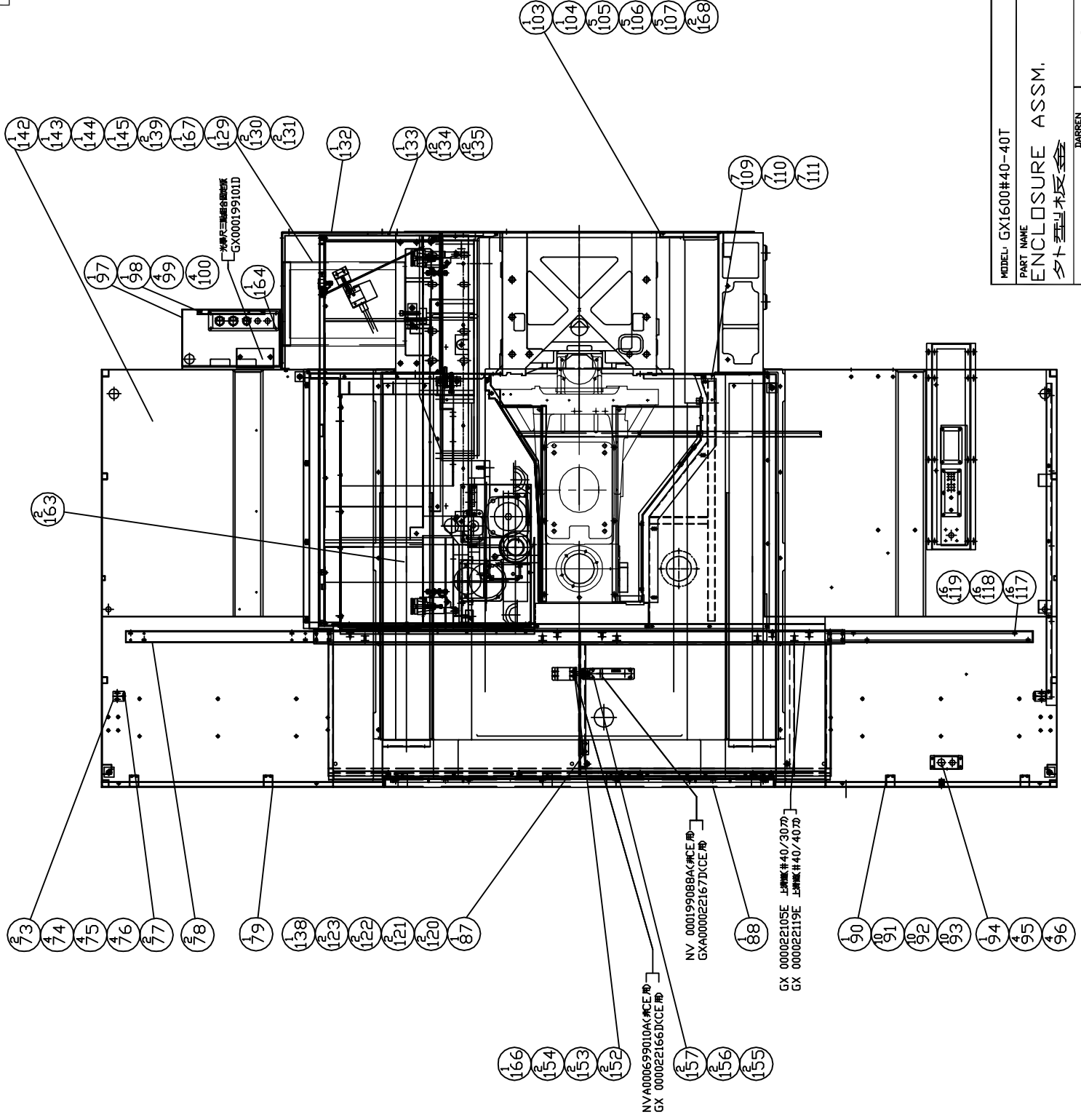
MODEL	GX1600#40-40T
PART NAME	ENCLOSURE ASSM.
PART NUMBER	GX 001045318E
DATE	2014/1/24
SCALE	1:22
REV.	T
PAGE	1 OF 3
DRWING	KEN
SCALE	1:22

REV	DESCRIPTION	DATE	ECN
A	新仕様	2014/1/24	1003547



MODEL: GX1600#40-40T	PART NUMBER: GX 001045318E
PART NAME: ENCLOSURE ASSM.	PAGE 2 OF 3
DATE: 2014/1/24	REV. S
DRAWN: [Signature]	SCALE: 1:20
CHECKED: [Signature]	

REV	DESCRIPTION	DATE	ECN
A	新仕様	2014/1/24	1003547



MODEL: GX1600#40-40T	PART NUMBER: GX 001045318E
PART NAME: ENCLOSURE ASSM.	PAGE 3 OF 3
DATE: 2014/1/25	REV: A
SCALE: 1/24	

\*\*\*\*\*  
PRODUCT BOM MASTER AND SUB-ITEMS LIST  
\*\*\*\*\*

Master Item Part NO.: GX 001045318E

Description: ENCLOSURE ASSM.

外型板金#40-40T

Item	Part NO.	Description	中文名稱	Specification	Qty	Unit
1.00	GX 000022101D	PLATE,RIGHT SPLASH GUARD	右擋水板	L1477XW587XH12	1.00	EA
2.00	GX 000022102D	PLATE,LEFT SPLASH GUARD	左擋水板	L1477XW587XH12	1.00	EA
3.00	MS 0103617	SOCKET HEAD CAP SCREW	六角穴圓頭螺絲	M6XP1.0XL16	14.00	EA
4.00	MW 0103610	FLAT WASHER	平墊圈	M6(D6*D19*H2)	14.00	EA
5.00	MW 0183610	SPRING WASHER	彈簧墊圈	M6(HEAT TREATMENT)	14.00	EA
7.00	MS 0103617	SOCKET HEAD CAP SCREW	六角穴圓頭螺絲	M6XP1.0XL16	8.00	EA
8.00	MW 0103610	FLAT WASHER	平墊圈	M6(D6*D19*H2)	8.00	EA
9.00	MW 0183610	SPRING WASHER	彈簧墊圈	M6(HEAT TREATMENT)	8.00	EA
10.00	NV 00103590107	SST HANDLE, ARC TYPE	不鏽鋼弧形把手(P=600)	不鏽鋼弧形把手(P=600)MS-737-4-700-600	2.00	EA
12.00	GX 000199078D	PLATE,MIDDLE GUARD	中外型板金擋板	L1579XW39.1XH34	1.00	EA
13.00	MS 0104019	SOCKET HEAD CAP SCREW	六角穴圓頭螺絲	M10XP1.5XL25	24.00	EA
14.00	MW 0184010	SPRING WASHER	彈簧墊圈	M10(HEAT TREATMENT)	24.00	EA
15.00	MW 0104010	FLAT WASHER	平墊圈	M10	24.00	EA
16.00	NVB000022225A	SIDE DOOR, UPPER	側門(上)	L850XW602XH24.3	2.00	EA
17.00	MS 0103617	SOCKET HEAD CAP SCREW	六角穴圓頭螺絲	M6XP1.0XL16	8.00	EA
18.00	MW 0183610	SPRING WASHER	彈簧墊圈	M6(HEAT TREATMENT)	8.00	EA
19.00	NV 00106420103	RUBBER SEAL, SIDE DOOR	發泡橡膠	W20X3T(1捲=15米)	2.00	MT
29.00	NV 00103590106	COMPRESSION EXTENSIBLE LATCH	迫緊式伸縮門鎖	MS816-1	4.00	ST
30.00	NV 000022226A	SIDE DOOR, LOWER	側門(下)	L850XW602XH24.3	2.00	EA
31.00	NV 00106420101	RUBBER SEAL, SIDE DOOR	發泡橡膠	W20X2T	2.00	MT

\*\*\*\*\*  
**PRODUCT BOM MASTER AND SUB-ITEMS LIST**  
 \*\*\*\*\*

Item	Part NO.	Description	中文名稱	Specification	Qty	Unit
32.00	NV 000942400A	ROLLER, DOOR	滑輪	D54XL29	4.00	EA
33.00	NV 00082310101	RING, C-RETAINING	C型內扣	R-28	4.00	EA
34.00	NV 00002660104	BALL BEARING	單列深槽滾珠軸承	6001ZZ	4.00	EA
35.00	NV 000378000E	SEAT, DOOR ROLLER	輪座板	L952XW50XH28.3	2.00	EA
36.00	GX 000022103E	FRONT PLATE,ENCLOURE	前護板	L2004XW35.4XH20	1.00	EA
37.00	MS 0103314	SOCKET HD. CAP SCREW	六角穴圓頭螺絲	M3XP0.5XL8	4.00	EA
38.00	MW 0183310	SPRING WASHER	彈簧墊圈	M3(HEAT TREATMENT)	4.00	EA
39.00	NV 00082310201	RING, C-RETAINING	C型外扣	S-12	8.00	EA
40.00	NV 00002660104	BALL BEARING	單列深槽滾珠軸承	6001ZZ	8.00	EA
41.00	NV 000403801D	SHAFT, DOOR ROLLER	輪軸	D14.3XL28.5	8.00	EA
42.00	MS 0103617	SOCKET HEAD CAP SCREW	六角穴圓頭螺絲	M6XP1.0XL16	8.00	EA
43.00	MW 0183610	SPRING WASHER	彈簧墊圈	M6(HEAT TREATMENT)	8.00	EA
44.00	MW 0103610	FLAT WASHER	平墊圈	M6(D6*D19*H2)	8.00	EA
45.00	GX 000199053D	COVER	蓋	L1693XW56.6XH141.5	2.00	EA
51.00	MS 0103617	SOCKET HEAD CAP SCREW	六角穴圓頭螺絲	M6XP1.0XL16	20.00	EA
52.00	MW 0103610	FLAT WASHER	平墊圈	M6(D6*D19*H2)	20.00	EA
53.00	MW 0183610	SPRING WASHER	彈簧墊圈	M6(HEAT TREATMENT)	20.00	EA
55.00	GX 000199052E	SUPPORT, GUARD	外型板金支撐架	L754XW100XH225	6.00	EA
66.00	GX 000378001E	DOOR, GUARD FRONT LEFT	左活動門	L1050XW1787XH653	1.00	EA
67.00	GX 000378000E	DOOR, GUARD FRONT RIGHT	右活動門	L1025XW1487XH653	1.00	EA
71.00	MS 0103617	SOCKET HEAD CAP SCREW	六角穴圓頭螺絲	M6XP1.0XL16	28.00	EA
72.00	MW 0183610	SPRING WASHER	彈簧墊圈	M6(HEAT TREATMENT)	28.00	EA
73.00	NVA000599084A	STOPER, DOOR	止動塊	L71XW40XH35	2.00	EA

\*\*\*\*\*  
**PRODUCT BOM MASTER AND SUB-ITEMS LIST**  
 \*\*\*\*\*

Item	Part NO.	Description	中文名稱	Specification	Qty	Unit
74.00	MS 0103516	SOCKET HEAD CAP SCREW	六角穴圓頭螺絲	M5XP0.8XL12	4.00	EA
75.00	MW 0183510	SPRING WASHER	彈簧墊圈	M5(HEAT TREATMENT)	4.00	EA
76.00	MW 0103510	FLAT WASHER	平墊圈	M5	4.00	EA
77.00	NV 001033102A	PLUG, SPLASH GUARD	孔塞	D30.5XL9.5	2.00	EA
78.00	GX 000022104E	DOOR GUIDE,UPPER	上滑道	L848XW49XH46.6	2.00	EA
79.01	GXB000022107E	GUARD,LEFT END	左外型板金(GX1600#40)	L1703XW1194XH1842	1.00	EA
80.00	GX 000022100E	ROD,FRONT DOOR GUIDE	前門滑道	D1"XL1807.5	2.00	EA
87.00	GX 000199057D	SEAT,DOOR SWITCH	開關座	L50XW25XH20	1.00	EA
88.00	GX 000022108D	MIDDLE GUARD	中外型板金	L1593XW52XH330	1.00	EA
90.00	GXB000022106E	GUARD,RIGHT END	右外型板金(GX1600#40)	L1703XW1194XH1842	1.00	EA
91.00	MS 0103617	SOCKET HEAD CAP SCREW	六角穴圓頭螺絲	M6XP1.0XL16	10.00	EA
92.00	MW 0103610	FLAT WASHER	平墊圈	M6(D6*D19*H2)	10.00	EA
93.00	MW 0183610	SPRING WASHER	彈簧墊圈	M6(HEAT TREATMENT)	10.00	EA
94.00	GX 000199060D	COVER	護蓋	L130XW55XH55	1.00	EA
95.00	MS 0103514	SOCKET HEAD CAP SCREW	六角穴圓頭螺絲	M5XP0.8XL8	4.00	EA
96.00	MW 0183510	SPRING WASHER	彈簧墊圈	M5(HEAT TREATMENT)	4.00	EA
97.00	GX 000199106D	BOX(PNEUMATIC PARTS)	箱(氣壓組件)含刀庫繫停控制盒	L1031XW400XH152.3	1.00	EA
98.00	GXA000199075D	ROTARY DOOR	門鈹	L762XW266XH30	1.00	EA
99.00	MS 0103617	SOCKET HEAD CAP SCREW	六角穴圓頭螺絲	M6XP1.0XL16	4.00	EA
100.00	MW 0183610	SPRING WASHER	彈簧墊圈	M6(HEAT TREATMENT)	4.00	EA
103.00	GXA000199056D	SIDE COVER,COLUMN	立柱側蓋	L1232XW336XH111.3	1.00	EA
104.00	GX 000199063D	ROTARY DOOR	旋轉門	L834XW228XH19	1.00	EA
105.00	MS 0103617	SOCKET HEAD CAP SCREW	六角穴圓頭螺絲	M6XP1.0XL16	5.00	EA

\*\*\*\*\*  
**PRODUCT BOM MASTER AND SUB-ITEMS LIST**  
 \*\*\*\*\*

Item	Part NO.	Description	中文名稱	Specification	Qty	Unit
106.00	MW 0103610	FLAT WASHER	平墊圈	M6(D6*D19*H2)	5.00	EA
107.00	MW 0183610	SPRING WASHER	彈簧墊圈	M6(HEAT TREATMENT)	5.00	EA
109.00	MW 0183510	SPRING WASHER	彈簧墊圈	M5(HEAT TREATMENT)	7.00	EA
110.00	MW 0103510	FLAT WASHER	平墊圈	M5	7.00	EA
111.00	MS 0103515	SOCKET HEAD CAP SCREW	六角穴圓頭螺絲	M5XP0.8XL10	7.00	EA
117.00	MS 0103515	SOCKET HEAD CAP SCREW	六角穴圓頭螺絲	M5XP0.8XL10	16.00	EA
118.00	MW 0103510	FLAT WASHER	平墊圈	M5	16.00	EA
119.00	MW 0183510	SPRING WASHER	彈簧墊圈	M5(HEAT TREATMENT)	16.00	EA
120.00	MS 0103416	SOCKET HEAD CAP SCREW	六角穴圓頭螺絲	M4XP0.7XL12	2.00	EA
121.00	MW 0103410	FLAT WASHER	平墊圈	M4X10DX1T	2.00	EA
122.00	MW 0183410	SPRING WASHER	彈簧墊圈	M4(HEAT TREATMENT)	2.00	EA
123.00	MN 0113410	HEXAGON NUT	六角螺帽	M4XP0.7	2.00	EA
124.00	GXB001010900D	NOZZLE	切削水接頭	L1450XD27.2	2.00	EA
125.00	NV 000022137D	BRACKET	固定塊	L55XW38XH5	4.00	EA
126.00	MW 0103610	FLAT WASHER	平墊圈	M6(D6*D19*H2)	8.00	EA
127.00	MW 0183610	SPRING WASHER	彈簧墊圈	M6(HEAT TREATMENT)	8.00	EA
128.00	MS 0103617	SOCKET HEAD CAP SCREW	六角穴圓頭螺絲	M6XP1.0XL16	8.00	EA
129.00	GX 000299090D	SUPPORTER, REAR COVER	背側板金支撐架	L509W344H70	1.00	EA
130.00	MS 0103820	SOCKET HEAD CAP SCREW	六角穴圓頭螺絲	M8XP1.25XL30	2.00	EA
133.02	GX 000599029D	REAR COVER	背側蓋板#40-40T	L1320XW931XH557.3	1.00	EA
134.00	MS 0103617	SOCKET HEAD CAP SCREW	六角穴圓頭螺絲	M6XP1.0XL16	12.00	EA
135.00	MW 0183610	SPRING WASHER	彈簧墊圈	M6(HEAT TREATMENT)	12.00	EA
138.00	GX 00103590101	LATCH, COPPER, TWIN BALL	銅雙珠門擋[允際]	[TAI SAM]TK-60	1.00	ST

\*\*\*\*\*  
**PRODUCT BOM MASTER AND SUB-ITEMS LIST**  
 \*\*\*\*\*

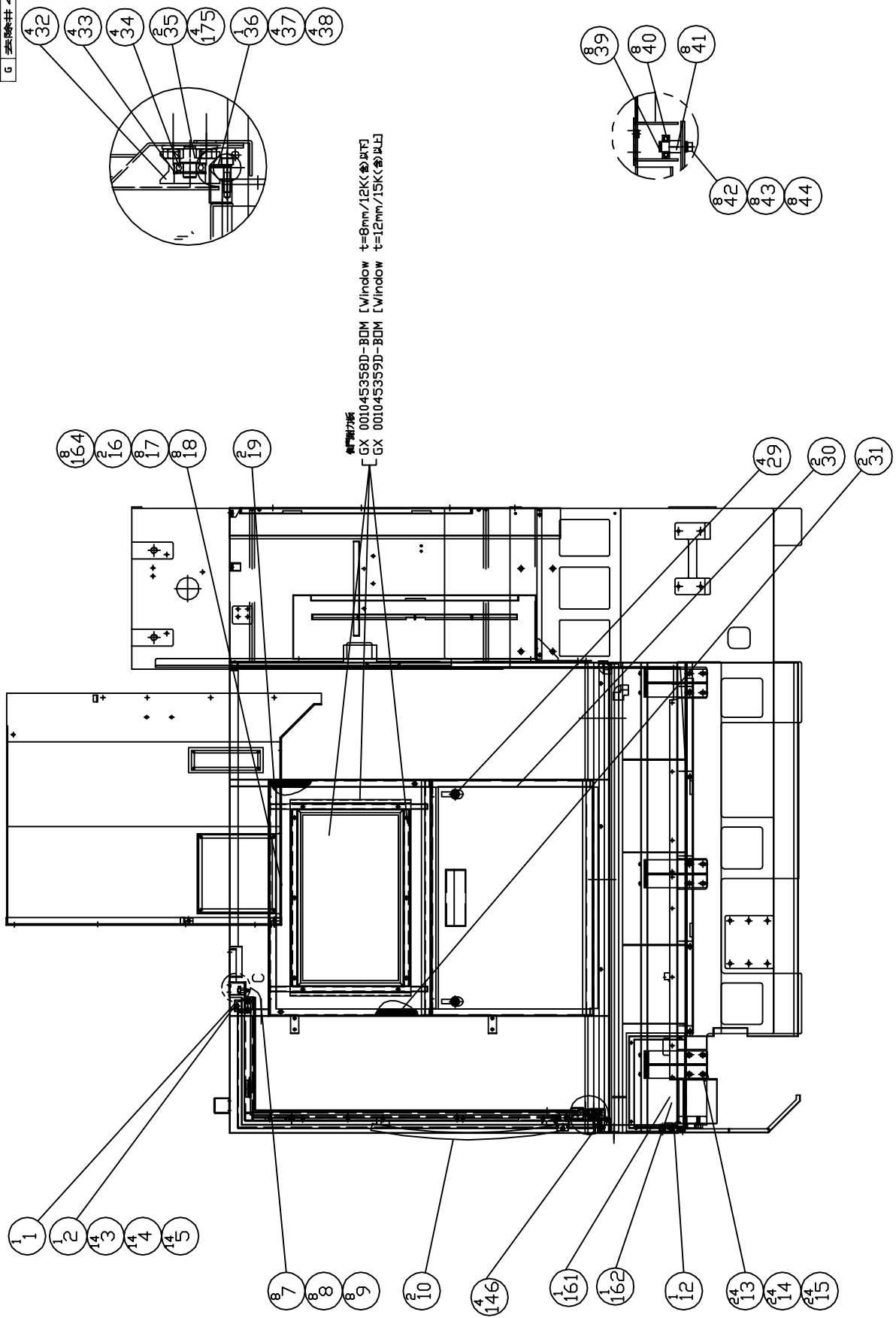
Item	Part NO.	Description	中文名稱	Specification	Qty	Unit
139.00	GX 000299005D	PLATE	護板	L1623XW89.8XT2.3	2.00	ST
142.00	GX 000299001E	PLATE	護板(右後)	L1153.5XW762XT1.2	1.00	ST
143.00	GX 000299002E	PLATE	護板(右前)	L1153.5XW926.4XT1.2	1.00	ST
144.00	GX 000299003E	PLATE	護板(左後)	L1153.5XW762XT1.2	1.00	ST
145.00	GX 000299004E	PLATE	護板(左前)	L1153.5XW926.4XT1.2	1.00	ST
146.01	NVA000899025A	PLATE, FRONT DOOR	前門護板	L53XW32XH32	4.00	EA
148.00	GXA000399090D	COVER, RIGHT	蓋板, 右 (右側無除屑機時)	L331XW205XH37.3	1.00	EA
149.00	GXA000399091D	COVER, LEFT	蓋板, 左 (左側無除屑機時)	L331XW205XH12	1.00	EA
152.00	MS 0103415	SOCKET HEAD CAP SCREW	六角穴圓頭螺絲	M4XP0.7XL10	2.00	EA
153.00	MW 0183410	SPRING WASHER	彈簧墊圈	M4(HEAT TREATMENT)	2.00	EA
154.00	MW 0103410	FLAT WASHER	平墊圈	M4X10DX1T	2.00	EA
155.00	MS 0103414	SOCKET HEAD CAP SCREW	六角穴圓頭螺絲	M4XP0.7XL8	2.00	EA
156.00	MW 0183410	SPRING WASHER	彈簧墊圈	M4(HEAT TREATMENT)	2.00	EA
157.00	MW 0103410	FLAT WASHER	平墊圈	M4X10DX1T	2.00	EA
159.00	GX 000399101D	PLATE,WASH DOWN	噴槍護板	H100X70XT2.0	1.00	EA
160.00	GX 000399102D	BRACKET,WASH DOWN	噴槍固定座	H100XW70X65.8	1.00	EA
161.00	GX 000199190D	SIDE COVER,PLATE(FRON)	側蓋固定板(前)	L1286XW55XH27	1.00	EA
162.00	GXA000399103D	COVER PLATE, GUARD RIGHT	右側蓋板(前)	H1353XW405.3XH22	1.00	EA
163.00	GX 000599006D	PLATE	護板	L1497XW193XH90.1	2.00	EA
164.00	GX 000499087D	PLATE,WIRE OUTLOOK	出線板	L270XW80XH2.3	1.00	EA
165.00	NV 00082310113	RING, C-RETAINING	C型內扣	R-12	8.00	EA
166.00	GH 000022163B	PLATE	插銷固定板	L50XW10XH2.3	1.00	EA
167.00	NV 00103590109	COMPRESSION EXTENSIBLE LATCH	迫緊式伸縮門鎖	MS816-3	1.00	ST



PRODUCT BOM MASTER AND SUB-ITEMS LIST  
\*\*\*\*\*

Item	Part NO.	Description	中文名稱	Specification	Qty	Unit
168.00	NV 00103590110	LATCH	平面型迫緊門扣[允際]	[TAI-SAN]MS-732-2A	2.00	EA
175.00	NV 000403802A	SHAFT, DOOR ROLLER	輪軸	D18XL27.5	4.00	EA

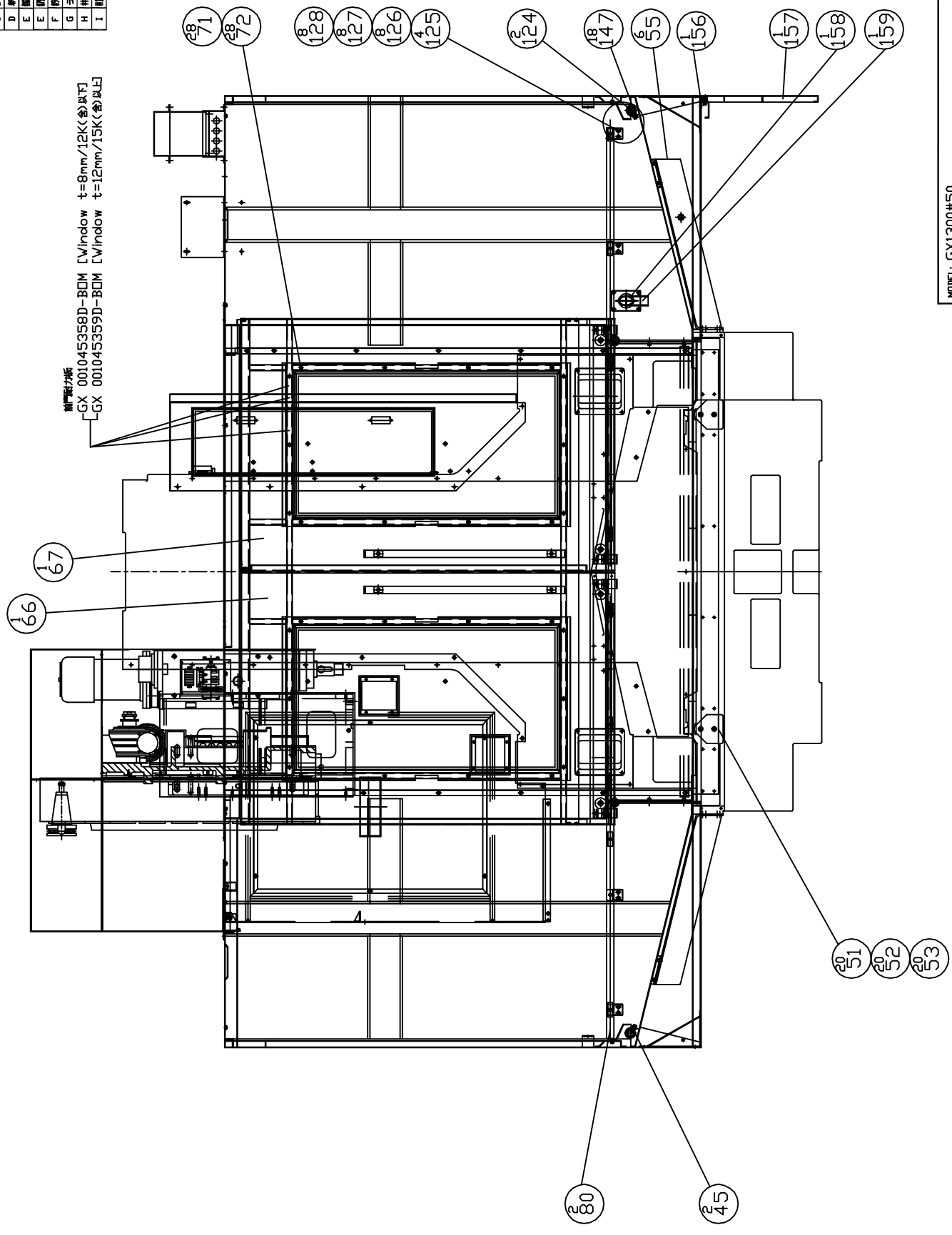
H	#16NVA-NV.B	增補#16-4	2009/12/8	2009/12/8	2008/11/13	4	EDN
I	#157-GX	001045359D<3>	2003/2/21	1003320		A	
B	#	#			2008/6/16	1290	
C	#98	增補#156,157,158,159			2008/6/19	1323	
D	#	增補#156,157,158,159			2008/6/23	1331	
E	#	增補#156,157,158,159			2008/10/14	1585	
F	#	增補#156,157,158,159			2009/9/21	1585	
G	#	增補#156,157,158,159			2009/9/21	1585	



MODEL	GX1300#50
PART NAME	ENCLOSURE ASSM.(#50-24T)
PART NUMBER	GX 001045318F
DATE	2008/4/1
SCALE	1:22
REV.	I

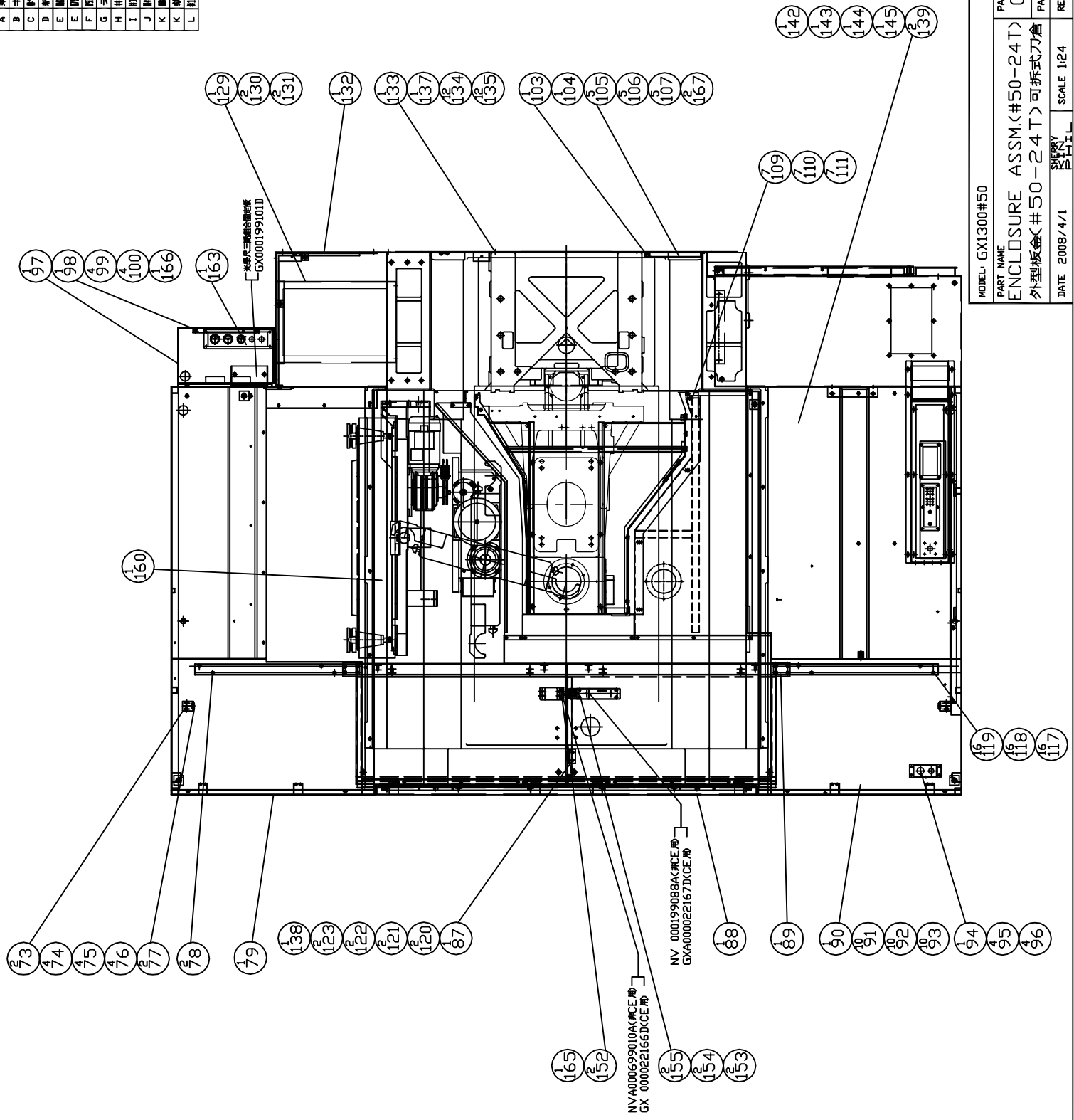
REV	DESCRIPTION	DATE	EDN
A	新機種	2008/4/11	34
B	## Z S 機種変更	2008/6/23	1309
C	#98機種, #機X, 00199101D, #79機種	2008/6/19	1323
D	機種#156, #157, #158, #159	2008/6/22	1351
E	機種#156, #157, #158, #159, #機種#158S	2008/10/24	1585
F	機種#156, #157, #158, #159, #機種#158S, #機種#158S	2009/9/21	1955
G	機種#4 S, #機種#4 S, #機種#164	2009/9/23	1992
H	#16NVA-NVB, #機種#164	2009/12/8	2028
I	#機種#4 S, #機種#164, #機種#164	2009/12/8	2028
I	#機種#4 S, #機種#164, #機種#164	2009/12/8	2028

機門動力源  
 GX 001045358D-BOM LWindow t=8mm/12K(含以下)  
 GX 0010453559D-BOM LWindow t=12mm/15K(含以上)



MODEL: GX1300#50	PART NUMBER: GX 001045318F
PART NAME: ENCLOSURE ASSM.(#50-24T)	PAGE: 2 OF 3
外型板金 #50-24T) 可拆式刀倉	REV. I
DATE: 2008/4/1	SCALE: 1:20

REV	DESCRIPTION	DATE	ECN
A	新开发	2008/4/11	34
B	## 7 4	2008/6/6	1309
C	#98 零件, #156, #157, #158, #159	2008/6/19	1323
D	#156, #157, #158, #159	2008/8/23	1331
E	#156, #157, #158, #159	2008/10/24	1385
F	#156, #157, #158, #159	2009/9/2	1555
G	零件 ## 4, 5, # 5 4	2009/9/29	1992
H	#16 NVA-NVB, #164	2009/12/8	2028
I	#157-GX 00039103P-GX00019910ID	2013/3/21	1003320
J	#157-GX 00039103P-GX00019910ID	2013/7/22	1003421
K	#157-GX 00039103P-GX00019910ID	2013/7/22	1003421
L	#165 GX 00022163D -> NVA00019910A	2012/12/20	1003537



MODEL: GX1300#50	PART NUMBER: GX 001045318F
ENCLOSURE ASSM.(#50-24T)	PAGE 3 OF 3
外型板金(#50-24T)可拆式刀倉	REV. L
DATE 2008/4/1	SCALE 1:24
SHERRY CHEN	

\*\*\*\*\*  
**PRODUCT BOM MASTER AND SUB-ITEMS LIST**  
 \*\*\*\*\*

Master Item Part NO.: GX 001045318F

Description: ENCLOSURE ASSM(GX1300#50-24T)

外型板金(GX1300#50-24T)

Item	Part NO.	Description	中文名稱	Specification	Qty	Unit
1.00	GXA000022121F	PLATE,RIGHT SPLASH GUARD	右擋水板(#50-24T)	L1287XW437XH12	1.00	EA
2.00	GXA000022122F	PLATE,LEFT SPLASH GUARD	左擋水板(#50-24T)	L1287XW437XH12	1.00	EA
3.00	MS 0103617	SOCKET HEAD CAP SCREW	六角穴圓頭螺絲	M6XP1.0XL16	14.00	EA
4.00	MW 0103610	FLAT WASHER	平墊圈	M6(D6*D19*H2)	14.00	EA
5.00	MW 0183610	SPRING WASHER	彈簧墊圈	M6(HEAT TREATMENT)	14.00	EA
7.00	MS 0103617	SOCKET HEAD CAP SCREW	六角穴圓頭螺絲	M6XP1.0XL16	8.00	EA
8.00	MW 0103610	FLAT WASHER	平墊圈	M6(D6*D19*H2)	8.00	EA
9.00	MW 0183610	SPRING WASHER	彈簧墊圈	M6(HEAT TREATMENT)	8.00	EA
10.00	NV 00103590107	SST HANDLE, ARC TYPE	不鏽鋼弧形把手(P=600)	不鏽鋼弧形把手(P=600)MS-737-4-700-600	2.00	EA
12.00	GX 000199078D	PLATE,MIDDLE GUARD	中外型板金擋板	L1579XW39.1XH34	1.00	EA
13.00	MS 0104019	SOCKET HEAD CAP SCREW	六角穴圓頭螺絲	M10XP1.5XL25	24.00	EA
14.00	MW 0184010	SPRING WASHER	彈簧墊圈	M10(HEAT TREATMENT)	24.00	EA
15.00	MW 0104010	FLAT WASHER	平墊圈	M10	24.00	EA
16.03	NVB000022225A	SIDE DOOR, UPPER	側門(上)	L850XW602XH24.3	2.00	EA
17.00	MS 0103617	SOCKET HEAD CAP SCREW	六角穴圓頭螺絲	M6XP1.0XL16	8.00	EA
18.00	MW 0183610	SPRING WASHER	彈簧墊圈	M6(HEAT TREATMENT)	8.00	EA
19.00	NV 00106420103	RUBBER SEAL, SIDE DOOR	發泡橡膠	W20X3T(1捲=15米)	2.00	MT
29.00	NV 00103590106	COMPRESSION EXTENSIBLE LATCH	迫緊式伸縮門鎖	MS816-1	4.00	ST
30.00	NV 000022226A	SIDE DOOR, LOWER	側門(下)	L850XW602XH24.3	2.00	EA
31.00	NV 00106420101	RUBBER SEAL, SIDE DOOR	發泡橡膠	W20X2T	2.00	MT

\*\*\*\*\*  
**PRODUCT BOM MASTER AND SUB-ITEMS LIST**  
 \*\*\*\*\*

Item	Part NO.	Description	中文名稱	Specification	Qty	Unit
32.00	NV 000942400A	ROLLER, DOOR	滑輪	D54XL29	4.00	EA
33.00	NV 00082310101	RING, C-RETAINING	C型內扣	R-28	4.00	EA
34.00	NV 00002660104	BALL BEARING	單列深槽滾珠軸承	6001ZZ	4.00	EA
35.00	NV 000378000D	SEAT, DOOR ROLLER	輪座板	L825XW50XH28.3	2.00	EA
36.00	GX 000299078D	FRONT PLATE,ENCLOURE	前護板	L1704XW35.4XH20	1.00	EA
37.00	MS 0103314	SOCKET HD. CAP SCREW	六角穴圓頭螺絲	M3XP0.5XL8	4.00	EA
38.00	MW 0183310	SPRING WASHER	彈簧墊圈	M3(HEAT TREATMENT)	4.00	EA
39.00	NV 00082310201	RING, C-RETAINING	C型外扣	S-12	8.00	EA
40.00	NV 00002660104	BALL BEARING	單列深槽滾珠軸承	6001ZZ	8.00	EA
41.00	NV 000403801D	SHAFT, DOOR ROLLER	輪軸	D14.3XL28.5	8.00	EA
42.00	MS 0103617	SOCKET HEAD CAP SCREW	六角穴圓頭螺絲	M6XP1.0XL16	8.00	EA
43.00	MW 0183610	SPRING WASHER	彈簧墊圈	M6(HEAT TREATMENT)	8.00	EA
44.00	MW 0103610	FLAT WASHER	平墊圈	M6(D6*D19*H2)	8.00	EA
45.00	GX 000199053D	COVER	蓋	L1693XW56.6XH141.5	2.00	EA
51.00	MS 0103617	SOCKET HEAD CAP SCREW	六角穴圓頭螺絲	M6XP1.0XL16	20.00	EA
52.00	MW 0103610	FLAT WASHER	平墊圈	M6(D6*D19*H2)	20.00	EA
53.00	MW 0183610	SPRING WASHER	彈簧墊圈	M6(HEAT TREATMENT)	20.00	EA
55.01	GX 000299083D	SUPPORT, GUARD	外型板金支撐架	L590.7XW99.9XH237.3	6.00	EA
66.01	GX 000378003F	DOOR, GUARD FRONT LEFT	左活動門(GX1300#50-24T)	L900XW1297XH503	1.00	EA
67.01	GX 000378002F	DOOR, GUARD FRONT RIGHT	右活動門(GX1300#50-24T)	L875XW1297XH503	1.00	EA
71.00	MS 0103617	SOCKET HEAD CAP SCREW	六角穴圓頭螺絲	M6XP1.0XL16	28.00	EA
72.00	MW 0183610	SPRING WASHER	彈簧墊圈	M6(HEAT TREATMENT)	28.00	EA
73.01	NVA000599084A	STOPER, DOOR	止動塊	L71XW40XH35	2.00	EA

\*\*\*\*\*  
**PRODUCT BOM MASTER AND SUB-ITEMS LIST**  
 \*\*\*\*\*

Item	Part NO.	Description	中文名稱	Specification	Qty	Unit
74.00	MS 0103516	SOCKET HEAD CAP SCREW	六角穴圓頭螺絲	M5XP0.8XL12	4.00	EA
75.00	MW 0183510	SPRING WASHER	彈簧墊圈	M5(HEAT TREATMENT)	4.00	EA
76.00	MW 0103510	FLAT WASHER	平墊圈	M5	4.00	EA
77.00	NV 001033102A	PLUG, SPLASH GUARD	孔塞	D30.5XL9.5	2.00	EA
78.00	GX 000299079D	DOOR GUIDE,UPPER	上滑道	L698XW49XH46.6	2.00	EA
79.09	GXA00022124F	GUARD,LEFT END	左外型板金(GX1300#50-24T)	L1703XW1652XH894	1.00	EA
80.00	GX 000299077D	ROD,FRONT DOOR GUIDE	前門滑道	L1507.5XW25.4XH25.4	2.00	EA
87.01	GX 000199057D	SEAT,DOOR SWITCH	開關座	L50XW25XH20	1.00	EA
88.00	GX 000022108D	MIDDLE GUARD	中外型板金	L1593XW52XH330	1.00	EA
89.00	GX 000022126F	DOOR GUIDE,UPPER	上滑道(GX1300#50-24T)	L1866XW171.6XH56.6	1.00	EA
90.08	GXA00022123F	GUARD,RIGHT END	右外型板金(GX1300#50-24T)	L1703XW1652XH894	1.00	EA
91.00	MS 0103617	SOCKET HEAD CAP SCREW	六角穴圓頭螺絲	M6XP1.0XL16	10.00	EA
92.00	MW 0103610	FLAT WASHER	平墊圈	M6(D6*D19*H2)	10.00	EA
93.00	MW 0183610	SPRING WASHER	彈簧墊圈	M6(HEAT TREATMENT)	10.00	EA
94.00	GX 000199060D	COVER	護蓋	L130XW55XH55	1.00	EA
95.00	MS 0103514	SOCKET HEAD CAP SCREW	六角穴圓頭螺絲	M5XP0.8XL8	4.00	EA
96.00	MW 0183510	SPRING WASHER	彈簧墊圈	M5(HEAT TREATMENT)	4.00	EA
97.05	GXA000199069D	BOX(PNEUMATIC PARTS)	箱(氣壓組件)	L880XW400XH152.3	1.00	EA
98.02	GXA000199075D	ROTARY DOOR	門鈹	L762XW266XH30	1.00	EA
99.00	MS 0103617	SOCKET HEAD CAP SCREW	六角穴圓頭螺絲	M6XP1.0XL16	4.00	EA
100.00	MW 0183610	SPRING WASHER	彈簧墊圈	M6(HEAT TREATMENT)	4.00	EA
103.01	GXA000199056D	SIDE COVER,COLUMN	立柱側蓋	L1232XW336XH111.3	1.00	EA
104.00	GX 000199063D	ROTARY DOOR	旋轉門	L834XW228XH19	1.00	EA

\*\*\*\*\*  
**PRODUCT BOM MASTER AND SUB-ITEMS LIST**  
 \*\*\*\*\*

Item	Part NO.	Description	中文名稱	Specification	Qty	Unit
105.00	MS 0103617	SOCKET HEAD CAP SCREW	六角穴圓頭螺絲	M6XP1.0XL16	5.00	EA
106.00	MW 0103610	FLAT WASHER	平墊圈	M6(D6*D19*H2)	5.00	EA
107.00	MW 0183610	SPRING WASHER	彈簧墊圈	M6(HEAT TREATMENT)	5.00	EA
109.00	MW 0183510	SPRING WASHER	彈簧墊圈	M5(HEAT TREATMENT)	7.00	EA
110.00	MW 0103510	FLAT WASHER	平墊圈	M5	7.00	EA
111.00	MS 0103515	SOCKET HEAD CAP SCREW	六角穴圓頭螺絲	M5XP0.8XL10	7.00	EA
117.00	MS 0103515	SOCKET HEAD CAP SCREW	六角穴圓頭螺絲	M5XP0.8XL10	16.00	EA
118.00	MW 0103510	FLAT WASHER	平墊圈	M5	16.00	EA
119.00	MW 0183510	SPRING WASHER	彈簧墊圈	M5(HEAT TREATMENT)	16.00	EA
120.00	MS 0103416	SOCKET HEAD CAP SCREW	六角穴圓頭螺絲	M4XP0.7XL12	2.00	EA
121.00	MW 0103410	FLAT WASHER	平墊圈	M4X10DX1T	2.00	EA
122.00	MW 0183410	SPRING WASHER	彈簧墊圈	M4(HEAT TREATMENT)	2.00	EA
123.00	MN 0113410	HEXAGON NUT	六角螺帽	M4XP0.7	2.00	EA
124.02	GXB001010900D	NOZZLE	切削水接頭	L1450XD27.2	2.00	EA
125.01	NV 000022137D	BRACKET	固定塊	L55XW38XH5	4.00	EA
126.00	MW 0103610	FLAT WASHER	平墊圈	M6(D6*D19*H2)	8.00	EA
127.00	MW 0183610	SPRING WASHER	彈簧墊圈	M6(HEAT TREATMENT)	8.00	EA
128.00	MS 0103617	SOCKET HEAD CAP SCREW	六角穴圓頭螺絲	M6XP1.0XL16	8.00	EA
129.00	GX 000299090D	SUPPORTER, REAR COVER	背側板金支撐架	L509W344H70	1.00	EA
130.00	MS 0103820	SOCKET HEAD CAP SCREW	六角穴圓頭螺絲	M8XP1.25XL30	2.00	EA
131.00	MW 0183810	SPRING WASHER	彈簧墊圈	M8(HEAT TREATMENT)	2.00	EA
132.01	GX 000299091D	REAR COVER(2)	背側蓋板(2)	L557.3XW486.5XH500	1.00	EA
133.03	GX 000399099F	REAR COVER(1)	背側蓋板(1)(#50-24T)	L1130XW557.3XH931	1.00	EA



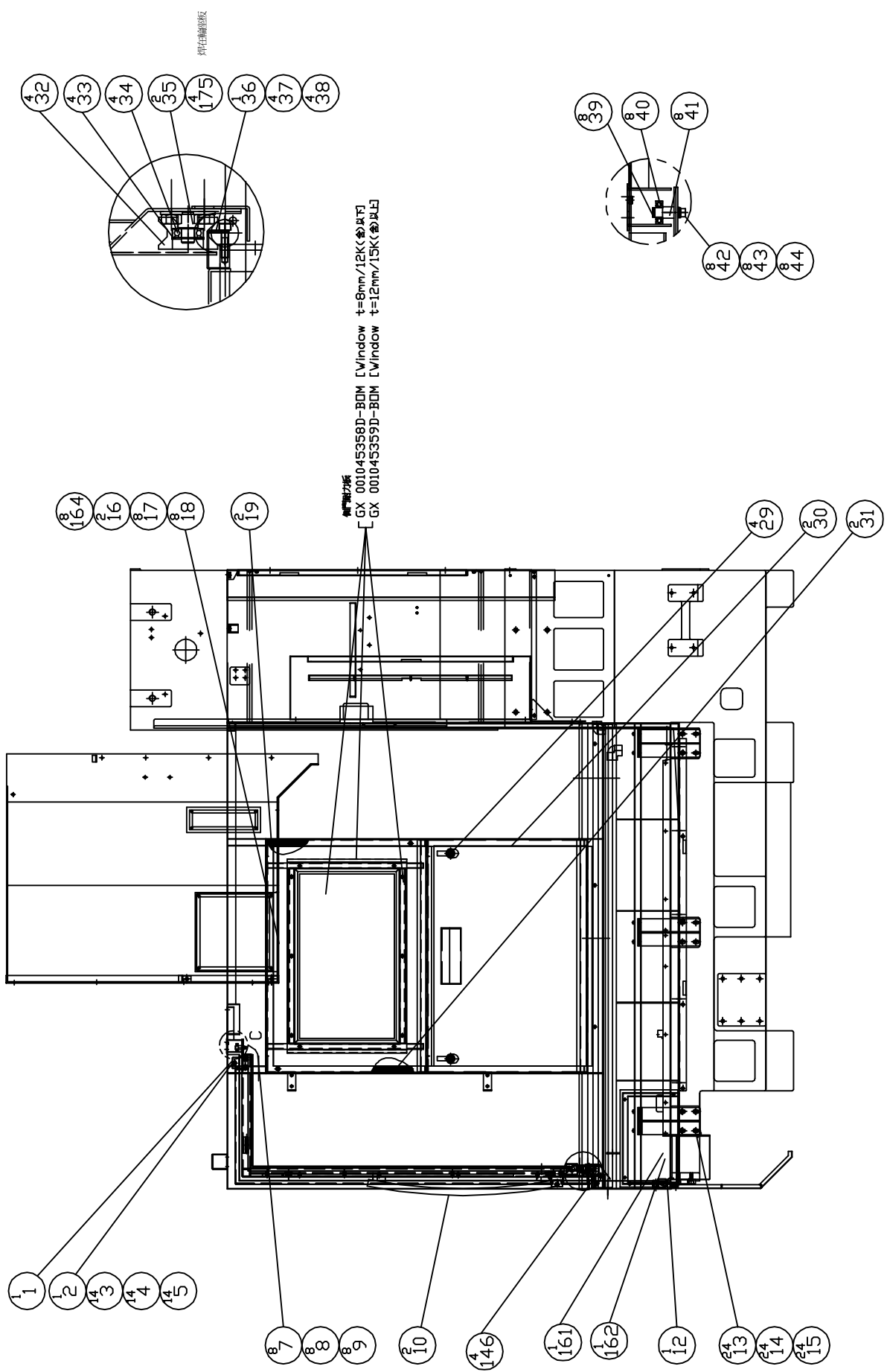
\*\*\*\*\*  
**PRODUCT BOM MASTER AND SUB-ITEMS LIST**  
 \*\*\*\*\*

Item	Part NO.	Description	中文名稱	Specification	Qty	Unit
134.00	MS 0103617	SOCKET HEAD CAP SCREW	六角穴圓頭螺絲	M6XP1.0XL16	12.00	EA
135.00	MW 0183610	SPRING WASHER	彈簧墊圈	M6(HEAT TREATMENT)	12.00	EA
137.00	GX 000499001F	COVER(REAR COVER)	蓋板(背側蓋板)#50-24T	L808XW598XH30	1.00	EA
138.00	GX 00103590101	LATCH, COPPER, TWIN BALL	銅雙珠門擋[允隙]	[TAI SAM]TK-60	1.00	EA
139.00	GX 000299005D	PLATE	護板	L1623XW89.8XT2.3	2.00	EA
142.00	GX 000299001D	PLATE	護板(右後)	L836XW762XT1.2	1.00	EA
143.00	GX 000299002D	PLATE	護板(右前)	L836XW926.4XT1.2	1.00	EA
144.00	GX 000299003D	PLATE	護板(左後)	L836XW762XT1.2	1.00	EA
145.00	GX 000299004D	PLATE	護板(左前)	L836XW926.4XT1.2	1.00	EA
146.01	NVA000899025A	PLATE, FRONT DOOR	前門護板	L53XW32XH32	4.00	EA
147.00	GX 001010901D	NOZZLE, COOLANT	切削水噴嘴(銅)	PT1/4"XD13.5XL25.5	18.00	EA
152.00	MW 0103410	FLAT WASHER	平墊圈	M4X10DX1T	2.00	EA
153.00	MS 0103414	SOCKET HEAD CAP SCREW	六角穴圓頭螺絲	M4XP0.7XL8	2.00	EA
154.00	MW 0183410	SPRING WASHER	彈簧墊圈	M4(HEAT TREATMENT)	2.00	EA
155.00	MW 0103410	FLAT WASHER	平墊圈	M4X10DX1T	2.00	EA
156.00	GX 000199190D	SIDE COVER,PLATE(FRON)	側蓋固定板(前)	L1286XW55XH27	1.00	EA
157.01	GXA000399103D	COVER PLATE, GUARD RIGHT	右側蓋板(前)	H1353XW405.3XH22	1.00	EA
158.00	GX 000399101D	PLATE,WASH DOWN	噴槍護板	H100X70XT2.0	1.00	EA
159.00	GX 000399102D	BRACKET,WASH DOWN	噴槍固定座	H100XW70X65.8	1.00	EA
160.01	GX 000599006D	PLATE	護板	L1497XW193XH90.1	2.00	EA
161.00	GXA000399090D	COVER, RIGHT	蓋板, 右 (右側無除屑機時)	L331XW205XH37.3	1.00	EA
162.00	GXA000399091D	COVER, LEFT	蓋板, 左 (左側無除屑機時)	L331XW205XH12	1.00	EA
163.00	GX 000499087D	PLATE,WIRE OUTLOOK	出線板	L270XW80XH2.3	1.00	EA

PRODUCT BOM MASTER AND SUB-ITEMS LIST  
\*\*\*\*\*

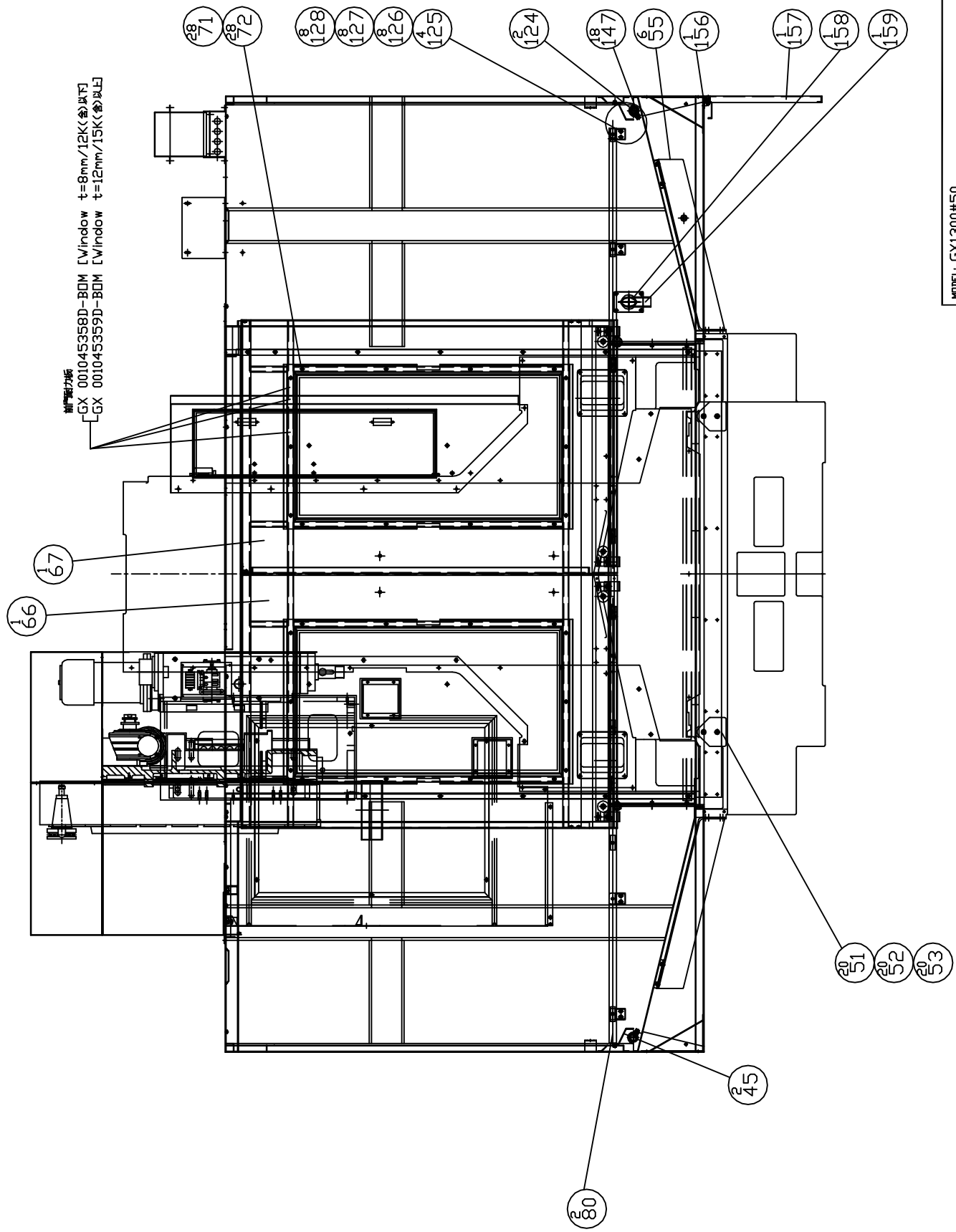
Item	Part NO.	Description	中文名稱	Specification	Qty	Unit
164.00	NV 00082310113	RING, C-RETAINING	C型內扣	R-12	8.00	EA
165.00	GH 000022163B	PLATE	插銷固定板	L50XW10XH2.3	1.00	EA
166.00	NV 00103590109	COMPRESSION EXTENSIBLE LATCH	迫緊式伸縮門鎖	MS816-3	1.00	ST
167.00	NV 00103590110	LATCH	平面型迫緊門扣[允際]	[TAI-SAN]MS-732-2A	2.00	EA
175.00	NV 000403802A	SHAFT, DOOR ROLLER	輪軸	D18XL27.5	4.00	EA

REV	DESCRIPTION	DATE	ECK
A	新製	2010/12/12	463
B	#157-GX 001045359D->001045359D(03)	2013/02/10	00932C



MODEL	GX1300#50
PART NAME	ENCLOSURE ASSM.(#50-24T)
PART NUMBER	GX 001045320F
DATE	2010/12/1
SCALE	1:22
PAGE	1 OF 3
REV.	B

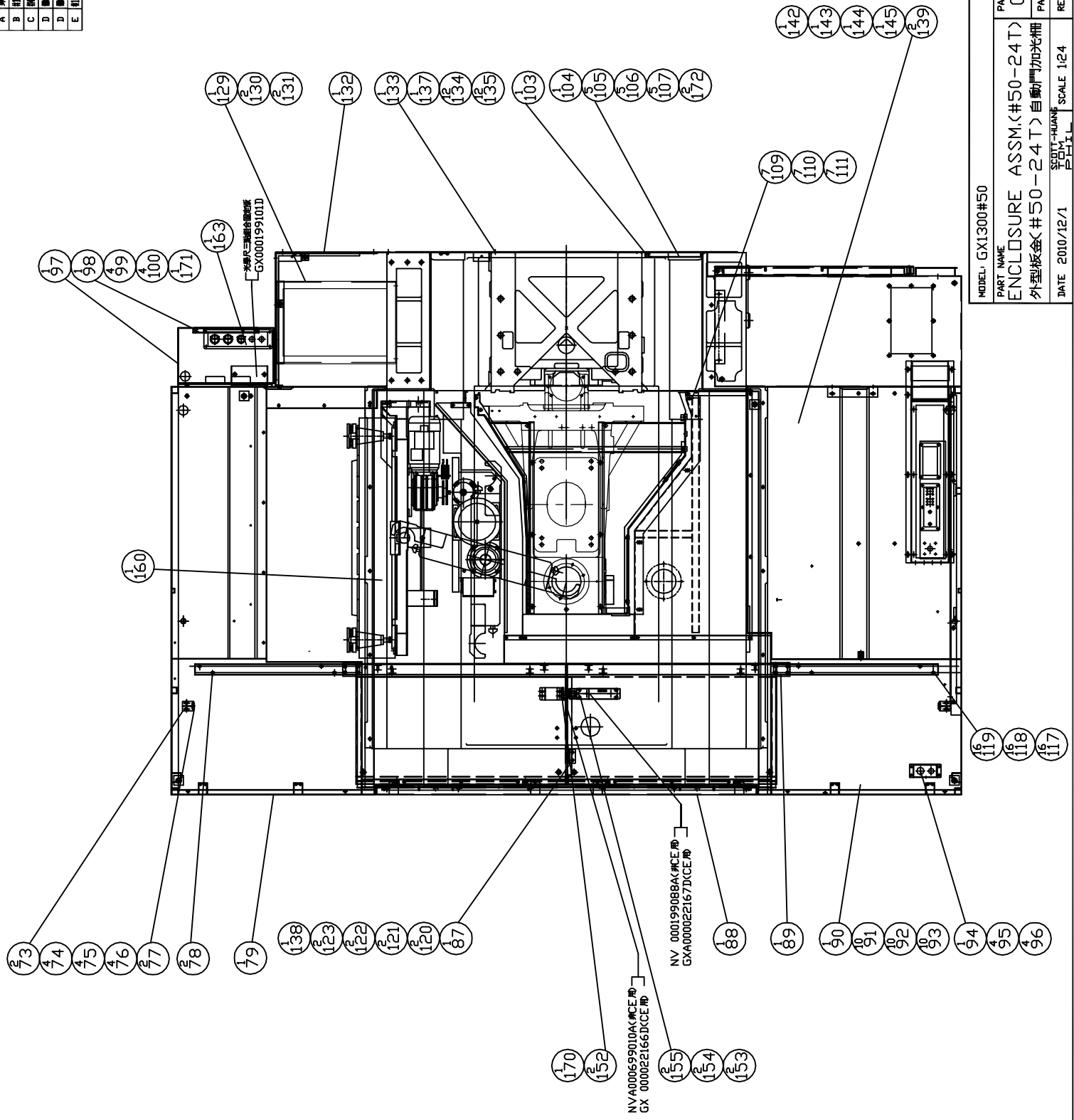
REV	DESCRIPTION	DATE	ECN
A	新开发	2010/12/12	4-3
B	修正-GX 001045358D->GX001045359D	2010/12/20	100332C



闭门器力矩  
 GX 001045358D-BDM LW/indow t=8mm/12K(含以下)  
 GX 001045359D-BDM LW/indow t=12mm/15K(含以上)

MODEL: GX1300#50	PART NUMBER: GX 001045320F
PART NAME: ENCLOSURE ASSM.(#50-24T)	PAGE: 2 OF 3
外型板盒(#50-24T) 自动门加光栅	REV: B
DATE: 2010/12/1	SCALE: 1:20
SCOTT-HUANG	
FORM	

REV	DESCRIPTION	DATE	ECN
A	新設計	2010/12/12	4-6-3
B	#157-GX 000991031-GX1400291031	2013/2/28	1003326
C	#157-GX 000991031-GX1400291031	2013/7/22	1003442
D	#157-GX 000991031-GX1400291031	2013/7/22	1003442
E	#170-GX 000221638 -> NVA001991041	2012/2/28	1003557



MODEL: GX1300#50
PART NUMBER: GX 001045320F
ENCLOSURE ASSM.(#50-24T) 自動門加光柵
外型板金(#50-24T) 自動門加光柵
PAGE 3 OF 3
REV. E
DATE 2010/12/1
SCALE 1:24
SCOTT-HUANG
PHILL

PRODUCT BOM MASTER AND SUB-ITEMS LIST  
\*\*\*\*\*

Master Item Part NO.: GX 001045320F

Description: ENCLOSURE ASSM(GX1300#50-24T)  
外型板金(GX1300#50-24T-光柵)

Item	Part NO.	Description	中文名稱	Specification	Qty	Unit
1.00	GXA000022121F	PLATE,RIGHT SPLASH GUARD	右擋水板(#50-24T)	L1287XW437XH12	1.00	EA
2.00	GXA000022122F	PLATE,LEFT SPLASH GUARD	左擋水板(#50-24T)	L1287XW437XH12	1.00	EA
3.00	MS 0103617	SOCKET HEAD CAP SCREW	六角穴圓頭螺絲	M6XP1.0XL16	14.00	EA
4.00	MW 0103610	FLAT WASHER	平墊圈	M6(D6*D19*H2)	14.00	EA
5.00	MW 0183610	SPRING WASHER	彈簧墊圈	M6(HEAT TREATMENT)	14.00	EA
7.00	MS 0103617	SOCKET HEAD CAP SCREW	六角穴圓頭螺絲	M6XP1.0XL16	8.00	EA
8.00	MW 0103610	FLAT WASHER	平墊圈	M6(D6*D19*H2)	8.00	EA
9.00	MW 0183610	SPRING WASHER	彈簧墊圈	M6(HEAT TREATMENT)	8.00	EA
12.00	GX 000199078D	PLATE,MIDDLE GUARD	中外型板金擋板	L1579XW39.1XH34	1.00	EA
13.00	MS 0104017	SOCKET HEAD CAP SCREW	六角穴圓頭螺絲	M10XP1.5XL16	24.00	EA
14.00	MW 0184010	SPRING WASHER	彈簧墊圈	M10(HEAT TREATMENT)	24.00	EA
15.00	MW 0104010	FLAT WASHER	平墊圈	M10	24.00	EA
16.00	NVB000022225A	SIDE DOOR, UPPER	側門(上)	L850XW602XH24.3	2.00	EA
17.00	MS 0103617	SOCKET HEAD CAP SCREW	六角穴圓頭螺絲	M6XP1.0XL16	8.00	EA
18.00	MW 0183610	SPRING WASHER	彈簧墊圈	M6(HEAT TREATMENT)	8.00	EA
19.00	NV 00106420103	RUBBER SEAL, SIDE DOOR	發泡橡膠	W20X3T(1捲=15米)	2.00	MT
29.00	NV 00103590106	COMPRESSION EXTENSIBLE LATCH	迫緊式伸縮門鎖	MS816-1	4.00	ST
30.00	NV 000022226A	SIDE DOOR, LOWER	側門(下)	L850XW602XH24.3	2.00	EA
31.00	NV 00106420101	RUBBER SEAL, SIDE DOOR	發泡橡膠	W20X2T	2.00	MT
32.00	NV 000942400A	ROLLER, DOOR	滑輪	D54XL29	4.00	EA

\*\*\*\*\*  
**PRODUCT BOM MASTER AND SUB-ITEMS LIST**  
 \*\*\*\*\*

Item	Part NO.	Description	中文名稱	Specification	Qty	Unit
33.00	NV 00082310101	RING, C-RETAINING	C型內扣	R-28	4.00	EA
34.00	NV 00002660104	BALL BEARING	單列深槽滾珠軸承	6001ZZ	4.00	EA
35.00	NV 000378000D	SEAT, DOOR ROLLER	輪座板	L825XW50XH28.3	2.00	EA
36.00	GX 000299078D	FRONT PLATE,ENCLOURE	前護板	L1704XW35.4XH20	1.00	EA
37.00	MS 0103314	SOCKET HD. CAP SCREW	六角穴圓頭螺絲	M3XP0.5XL8	4.00	EA
38.00	MW 0183310	SPRING WASHER	彈簧墊圈	M3(HEAT TREATMENT)	4.00	EA
39.00	NV 00082310201	RING, C-RETAINING	C型外扣	S-12	8.00	EA
40.00	NV 00002660104	BALL BEARING	單列深槽滾珠軸承	6001ZZ	8.00	EA
41.00	NV 000403801D	SHAFT, DOOR ROLLER	輪軸	D14.3XL28.5	8.00	EA
42.00	MS 0103617	SOCKET HEAD CAP SCREW	六角穴圓頭螺絲	M6XP1.0XL16	8.00	EA
43.00	MW 0183610	SPRING WASHER	彈簧墊圈	M6(HEAT TREATMENT)	8.00	EA
44.00	MW 0103610	FLAT WASHER	平墊圈	M6(D6*D19*H2)	8.00	EA
45.00	GX 000199053D	COVER	蓋	L1693XW56.6XH141.5	2.00	EA
51.00	MS 0103617	SOCKET HEAD CAP SCREW	六角穴圓頭螺絲	M6XP1.0XL16	20.00	EA
52.00	MW 0103610	FLAT WASHER	平墊圈	M6(D6*D19*H2)	20.00	EA
53.00	MW 0183610	SPRING WASHER	彈簧墊圈	M6(HEAT TREATMENT)	20.00	EA
55.01	GX 000299083D	SUPPORT, GUARD	外型板金支撐架	L590.7XW99.9XH237.3	6.00	EA
66.01	GX 000378007F	DOOR, GUARD FRONT LEFT	左自動門-光柵用(GX1300#50-24T)	L900XW1297XH503	1.00	EA
67.01	GX 000378006F	DOOR, GUARD FRONT RIGHT	右自動門-光柵用(GX1300#50-24T)	L900XW1297XH503	1.00	EA
71.00	MS 0103617	SOCKET HEAD CAP SCREW	六角穴圓頭螺絲	M6XP1.0XL16	28.00	EA
72.00	MW 0183610	SPRING WASHER	彈簧墊圈	M6(HEAT TREATMENT)	28.00	EA
73.00	NVA000599084A	STOPER, DOOR	止動塊	L71XW40XH35	2.00	EA
74.00	MS 0103516	SOCKET HEAD CAP SCREW	六角穴圓頭螺絲	M5XP0.8XL12	4.00	EA

\*\*\*\*\*  
**PRODUCT BOM MASTER AND SUB-ITEMS LIST**  
 \*\*\*\*\*

Item	Part NO.	Description	中文名稱	Specification	Qty	Unit
75.00	MW 0183510	SPRING WASHER	彈簧墊圈	M5(HEAT TREATMENT)	4.00	EA
76.00	MW 0103510	FLAT WASHER	平墊圈	M5	4.00	EA
77.00	NV 001033102A	PLUG, SPLASH GUARD	孔塞	D30.5XL9.5	2.00	EA
78.00	GX 000299079D	DOOR GUIDE,UPPER	上滑道	L698XW49XH46.6	2.00	EA
79.03	GXA000022136F	GUARD,LEFT END	左外型板金-光柵用(GX1300#50-24T)	L1703XW1652XH894	1.00	EA
80.00	GX 000299077D	ROD,FRONT DOOR GUIDE	前門滑道	L1507.5XW25.4XH25.4	2.00	EA
87.00	GX 000199057D	SEAT,DOOR SWITCH	開關座	L50XW25XH20	1.00	EA
88.00	GX 000022108D	MIDDLE GUARD	中外型板金	L1593XW52XH330	1.00	EA
89.00	GX 000022126F	DOOR GUIDE,UPPER	上滑道(GX1300#50-24T)	L1866XW171.6XH56.6	1.00	EA
90.02	GXA000022135F	GUARD,RIGHT END	右外型板金-光柵用(GX1300#50-24T)	L1703XW1652XH894	1.00	EA
91.00	MS 0103617	SOCKET HEAD CAP SCREW	六角穴圓頭螺絲	M6XP1.0XL16	10.00	EA
92.00	MW 0103610	FLAT WASHER	平墊圈	M6(D6*D19*H2)	10.00	EA
93.00	MW 0183610	SPRING WASHER	彈簧墊圈	M6(HEAT TREATMENT)	10.00	EA
94.00	GX 000199060D	COVER	護蓋	L130XW55XH55	1.00	EA
95.00	MS 0103514	SOCKET HEAD CAP SCREW	六角穴圓頭螺絲	M5XP0.8XL8	4.00	EA
96.00	MW 0183510	SPRING WASHER	彈簧墊圈	M5(HEAT TREATMENT)	4.00	EA
97.02	GXA000199069D	BOX(PNEUMATIC PARTS)	箱(氣壓組件)	L880XW400XH152.3	1.00	EA
99.00	MS 0103617	SOCKET HEAD CAP SCREW	六角穴圓頭螺絲	M6XP1.0XL16	4.00	EA
100.00	MW 0183610	SPRING WASHER	彈簧墊圈	M6(HEAT TREATMENT)	4.00	EA
103.01	GXA000199056D	SIDE COVER,COLUMN	立柱側蓋	L1232XW336XH111.3	1.00	EA
104.00	GX 000199063D	ROTARY DOOR	旋轉門	L834XW228XH19	1.00	EA
105.00	MS 0103617	SOCKET HEAD CAP SCREW	六角穴圓頭螺絲	M6XP1.0XL16	5.00	EA
106.00	MW 0103610	FLAT WASHER	平墊圈	M6(D6*D19*H2)	5.00	EA



\*\*\*\*\*  
**PRODUCT BOM MASTER AND SUB-ITEMS LIST**  
 \*\*\*\*\*

Item	Part NO.	Description	中文名稱	Specification	Qty	Unit
107.00	MW 0183610	SPRING WASHER	彈簧墊圈	M6(HEAT TREATMENT)	5.00	EA
109.00	MW 0183510	SPRING WASHER	彈簧墊圈	M5(HEAT TREATMENT)	7.00	EA
110.00	MW 0103510	FLAT WASHER	平墊圈	M5	7.00	EA
111.00	MS 0103515	SOCKET HEAD CAP SCREW	六角穴圓頭螺絲	M5XP0.8XL10	7.00	EA
117.00	MS 0103515	SOCKET HEAD CAP SCREW	六角穴圓頭螺絲	M5XP0.8XL10	16.00	EA
118.00	MW 0103510	FLAT WASHER	平墊圈	M5	16.00	EA
119.00	MW 0183510	SPRING WASHER	彈簧墊圈	M5(HEAT TREATMENT)	16.00	EA
120.00	MS 0103416	SOCKET HEAD CAP SCREW	六角穴圓頭螺絲	M4XP0.7XL12	2.00	EA
121.00	MW 0103410	FLAT WASHER	平墊圈	M4X10DX1T	2.00	EA
122.00	MW 0183410	SPRING WASHER	彈簧墊圈	M4(HEAT TREATMENT)	2.00	EA
123.00	MN 0113410	HEXAGON NUT	六角螺帽	M4XP0.7	2.00	EA
124.01	GXB001010900D	NOZZLE	切削水接頭	L1450XD27.2	2.00	EA
125.01	NV 000022137D	BRACKET	固定塊	L55XW38XH5	4.00	EA
126.00	MW 0103610	FLAT WASHER	平墊圈	M6(D6*D19*H2)	8.00	EA
127.00	MW 0183610	SPRING WASHER	彈簧墊圈	M6(HEAT TREATMENT)	8.00	EA
128.00	MS 0103617	SOCKET HEAD CAP SCREW	六角穴圓頭螺絲	M6XP1.0XL16	8.00	EA
129.00	GX 000299090D	SUPPORTER, REAR COVER	背側板金支撐架	L509W344H70	1.00	EA
130.00	MS 0103820	SOCKET HEAD CAP SCREW	六角穴圓頭螺絲	M8XP1.25XL30	2.00	EA
131.00	MW 0183810	SPRING WASHER	彈簧墊圈	M8(HEAT TREATMENT)	2.00	EA
132.01	GX 000299091D	REAR COVER(2)	背側蓋板(2)	L557.3XW486.5XH500	1.00	EA
133.02	GX 000399099F	REAR COVER(1)	背側蓋板(1)(#50-24T)	L1130XW557.3XH931	1.00	EA
134.00	MS 0103617	SOCKET HEAD CAP SCREW	六角穴圓頭螺絲	M6XP1.0XL16	12.00	EA
135.00	MW 0183610	SPRING WASHER	彈簧墊圈	M6(HEAT TREATMENT)	12.00	EA

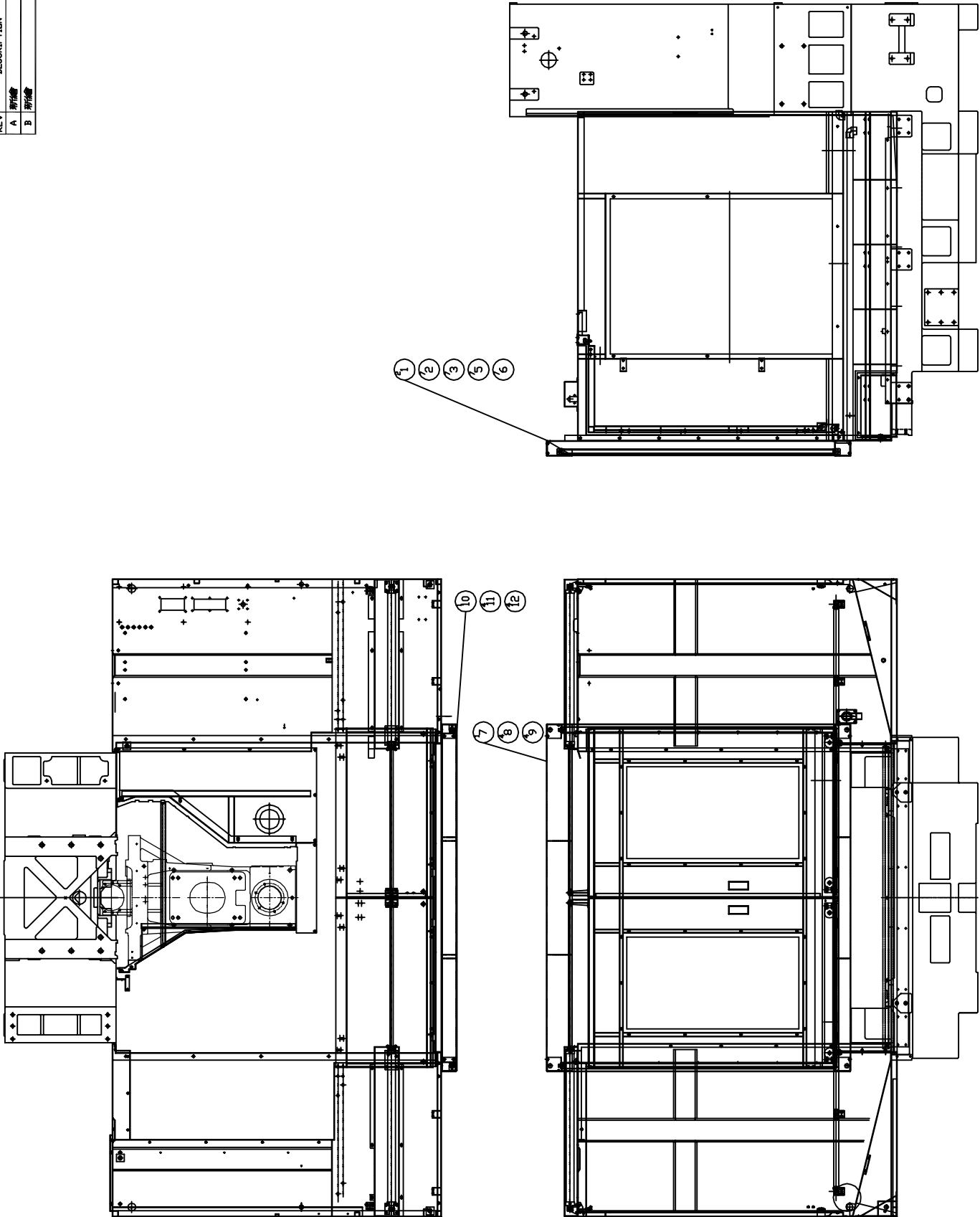
\*\*\*\*\*  
**PRODUCT BOM MASTER AND SUB-ITEMS LIST**  
 \*\*\*\*\*

Item	Part NO.	Description	中文名稱	Specification	Qty	Unit
137.00	GX 000499001F	COVER(REAR COVER)	蓋板(背側蓋板)#50-24T	L 808XW598XH30	1.00	EA
138.00	GX 00103590101	LATCH, COPPER, TWIN BALL	銅雙珠門擋[允際]	[TAI SAM]TK-60	1.00	EA
139.00	GX 000299005D	PLATE	護板	L 1623XW89.8XT2.3	2.00	EA
142.00	GX 000299001D	PLATE	護板(右後)	L 836XW762XT1.2	1.00	EA
143.00	GX 000299002D	PLATE	護板(右前)	L 836XW926.4XT1.2	1.00	EA
144.00	GX 000299003D	PLATE	護板(左後)	L 836XW762XT1.2	1.00	EA
145.00	GX 000299004D	PLATE	護板(左前)	L 836XW926.4XT1.2	1.00	EA
146.01	NVA000899025A	PLATE, FRONT DOOR	前門護板	L 53XW32XH32	4.00	EA
147.00	GX 001010901D	NOZZLE, COOLANT	切削水噴嘴(銅)	PT1/4"XD13.5XL25.5	18.00	EA
152.00	MW 0103410	FLAT WASHER	平墊圈	M4X10DX1T	2.00	EA
153.00	MS 0103414	SOCKET HEAD CAP SCREW	六角穴圓頭螺絲	M4XP0.7XL8	2.00	EA
154.00	MW 0183410	SPRING WASHER	彈簧墊圈	M4(HEAT TREATMENT)	2.00	EA
155.00	MW 0103410	FLAT WASHER	平墊圈	M4X10DX1T	2.00	EA
156.00	GX 000199190D	SIDE COVER,PLATE(FRON)	側蓋固定板(前)	L 1286XW55XH27	1.00	EA
157.01	GXA000399103D	COVER PLATE, GUARD RIGHT	右側蓋板(前)	H 1353XW405.3XH22	1.00	EA
158.00	GX 000399101D	PLATE,WASH DOWN	噴槍護板	H 100X70XT2.0	1.00	EA
159.00	GX 000399102D	BRACKET,WASH DOWN	噴槍固定座	H 100XW70X65.8	1.00	EA
160.00	GX 000599006D	PLATE	護板	L 1497XW193XH90.1	2.00	EA
161.00	GXA000399090D	COVER, RIGHT	蓋板, 右 (右側無除屑機時)	L 331XW205XH37.3	1.00	EA
162.00	GXA000399091D	COVER, LEFT	蓋板, 左 (左側無除屑機時)	L 331XW205XH12	1.00	EA
163.00	GX 000499087D	PLATE,WIRE OUTLOOK	出線板	L 270XW80XH2.3	1.00	EA
164.00	NV 00082310113	RING, C-RETAINING	C型內扣	R-12	8.00	EA
167.01	GXA000199075D	ROTARY DOOR	門鉸	L 762XW266XH30	1.00	EA

PRODUCT BOM MASTER AND SUB-ITEMS LIST  
\*\*\*\*\*

Item	Part NO.	Description	中文名稱	Specification	Qty	Unit
170.00	GH 000022163B	PLATE	插銷固定板	L50XW10XH2.3	1.00	EA
171.00	NV 00103590109	COMPRESSION EXTENSIBLE LATCH	迫緊式伸縮門鎖	MS816-3	1.00	ST
172.00	NV 00103590110	LATCH	平面型迫緊門扣[允際]	[TAI-SAN]MS-732-2A	2.00	ST
175.00	NV 000403802A	SHAFT, DOOR ROLLER	輪軸	D18XL27.5	4.00	EA

REV	DESCRIPTION	DATE	EDN
A	新機種	2000/12/12	43
B	新機種	2000/12/12	56



MODEL	GX 1300 #50-24T
PART NAME	
PART NUMBER	GX 001045317F
DATE	2000/12/1
REV.	B
PAGE	1 OF 1
SCALE	1:30
COMPANY	SCOTT-HUANG
DESIGNER	SCOTT-HUANG

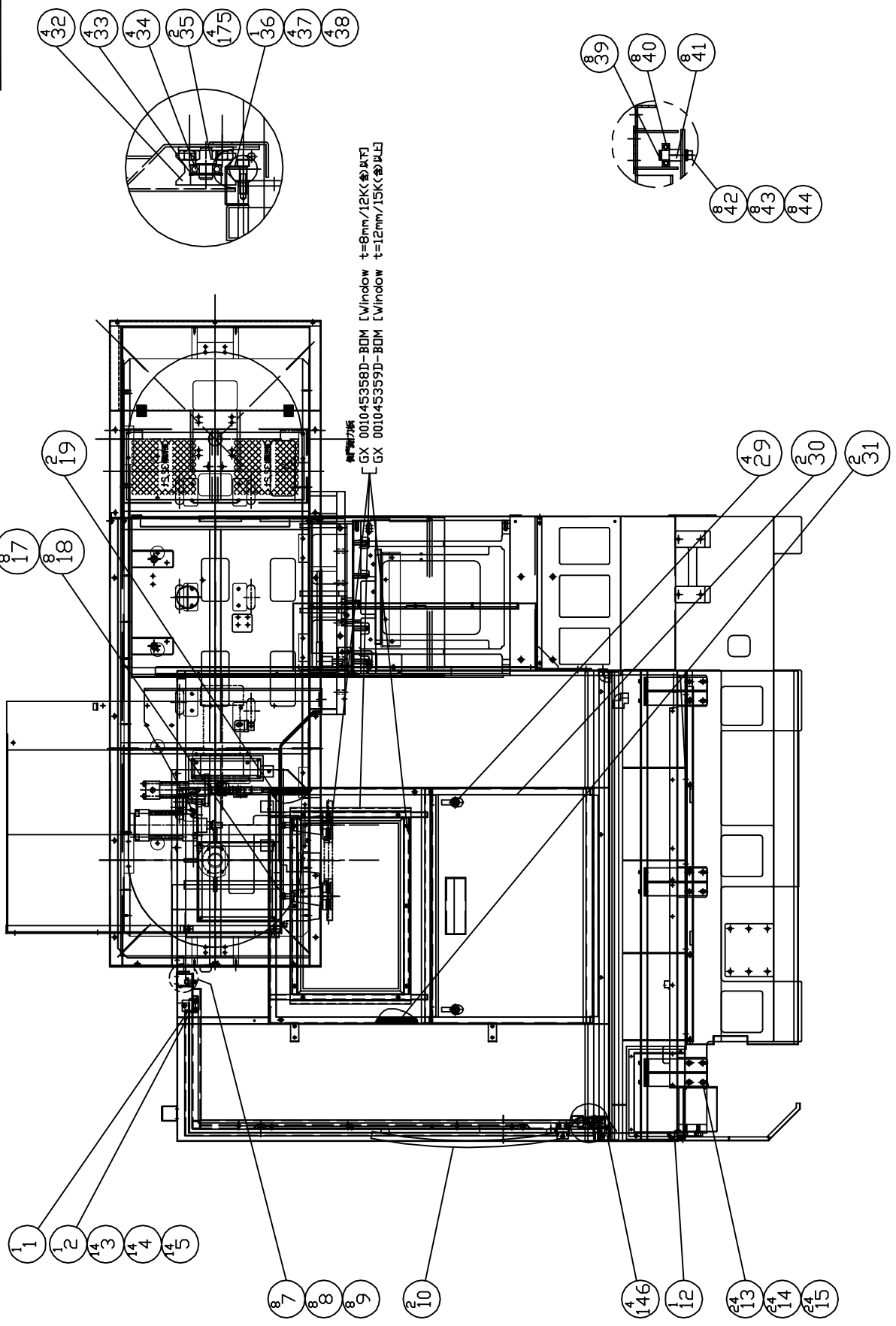
PRODUCT BOM MASTER AND SUB-ITEMS LIST  
\*\*\*\*\*

Master Item Part NO.: GX 001045317F

Description: SCREEN ASSM(GX1300#50-24T)  
光柵固定組件(GX1300#50-24T)

Item	Part NO.	Description	中文名稱	Specification	Qty	Unit
1.02	GXA000022137F	SUPPORT,RIGHT CURTAIN	左/右支撐板-光柵用(GX1300#50-24/32T)	L1544XW64.6XH50	2.00	EA
2.00	MS 0103618	SOCKET HEAD CAP SCREW	六角穴圓頭螺絲	M6XP1.0XL20	7.00	EA
3.00	MW 0183610	SPRING WASHER	彈簧墊圈	M6(HEAT TREATMENT)	7.00	EA
5.00	MS 0103618	SOCKET HEAD CAP SCREW	六角穴圓頭螺絲	M6XP1.0XL20	7.00	EA
6.00	MW 0183610	SPRING WASHER	彈簧墊圈	M6(HEAT TREATMENT)	7.00	EA
7.01	GXA000022140F	COVER, TOP CURTAIN	上遮板-光柵用(GX1300#50-24T)	L1836XW571XH115	1.00	EA
8.00	MS 0103618	SOCKET HEAD CAP SCREW	六角穴圓頭螺絲	M6XP1.0XL20	4.00	EA
9.00	MW 0183610	SPRING WASHER	彈簧墊圈	M6(HEAT TREATMENT)	4.00	EA
10.01	GXA000022139F	SUPPORT, UNDER CURTAIN	下遮板-光柵用(GX1300#50-24/32T)	L1751XW94XH77.3	1.00	EA
11.00	MS 0103618	SOCKET HEAD CAP SCREW	六角穴圓頭螺絲	M6XP1.0XL20	4.00	EA
12.00	MW 0183610	SPRING WASHER	彈簧墊圈	M6(HEAT TREATMENT)	4.00	EA

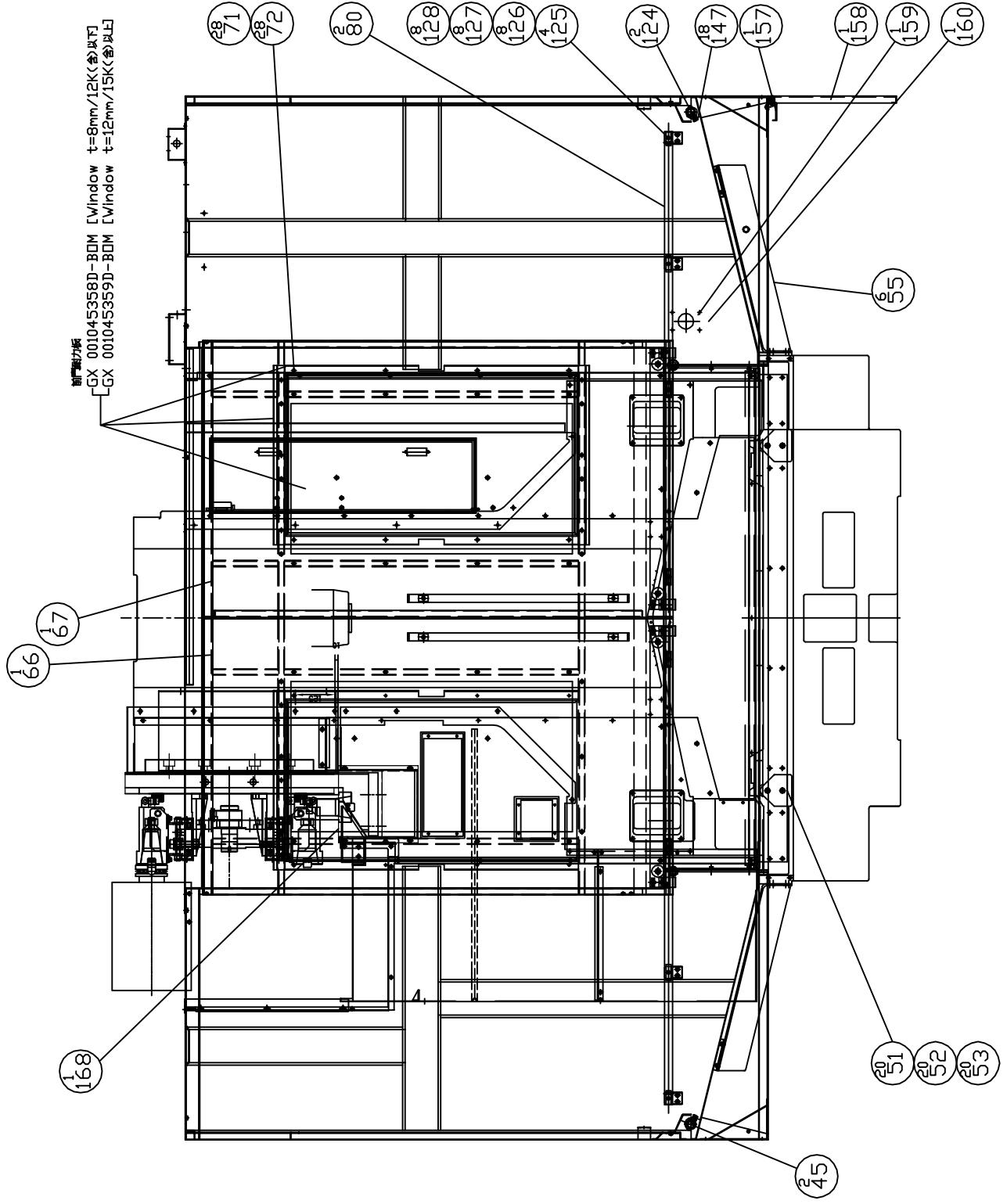
REV	DESCRIPTION	DATE	EON
A	新機一吉機井 50, 32 T 用	2009/1/16	1707
B	#158-GX 0019070D->GX0019070D	2008/12/15	1556
C	変更, # 49, # 54, # 54	2009/9/21	1992
D	#16NVA-NVB, #機井167	2009/12/10	2028
E	#機井168(GX 000599088F)	2010/2/21	2251
F	機井168(GX 000599088F) 変更	2010/2/27	2765
G	#159-GX 000599103D->GX000599103D	2013/3/21	100322



MODEL: GX1300#50	PART NUMBER: GX001045319F
PART NAME: ENCLOSURE ASSM.	PAGE 1 OF 3
夕外型机板金井 50, 32 T	REV. G
DATE 2009/1/16	SCALE 1:22

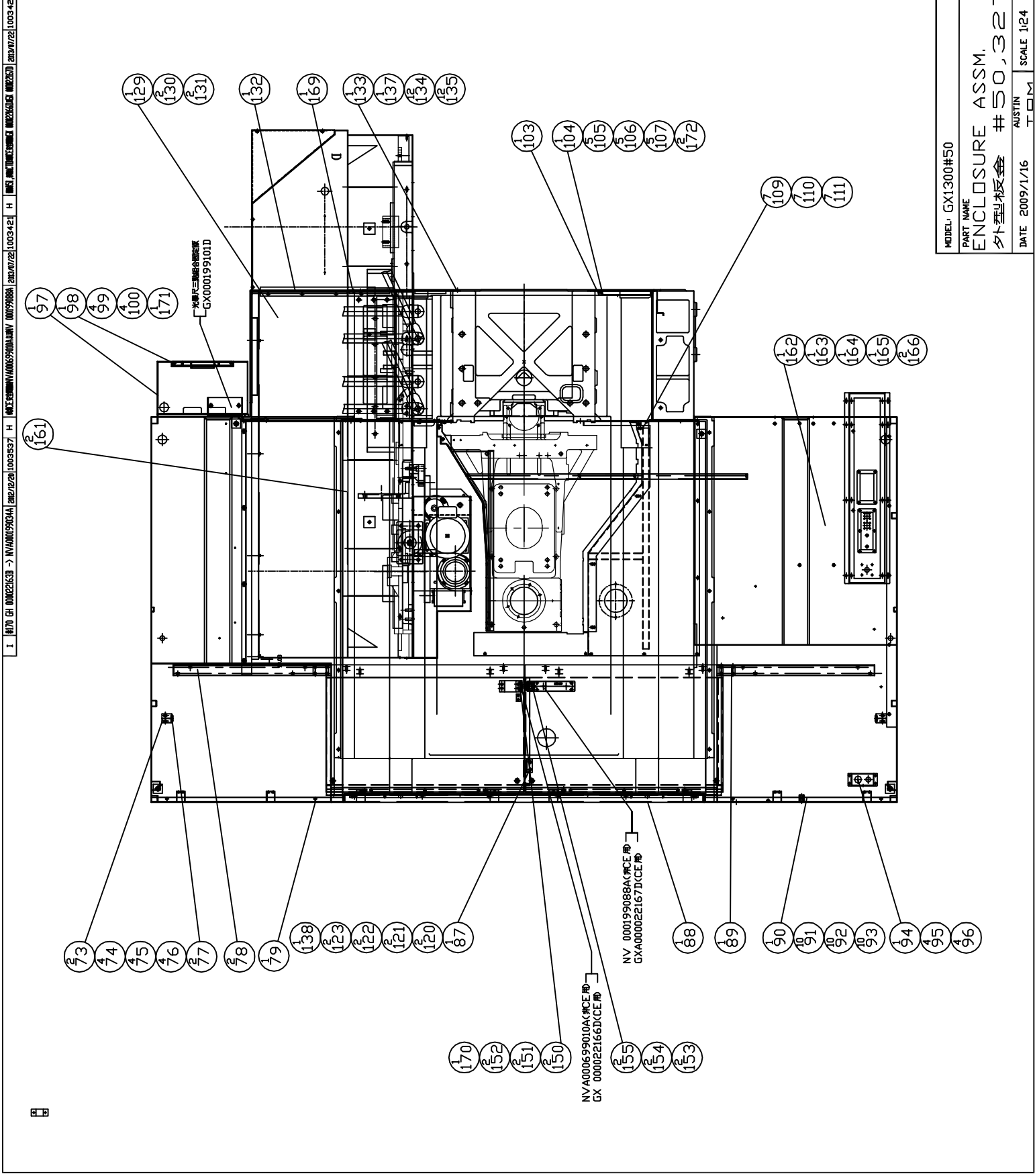
REV	DESCRIPTION	DATE	EOK
A	新機一吉機井 50, 32T 用	2002/10/17	1541
B	#158-GX 001045358D->GX10009907D	2008/12/1	1556
C	変更, #49, #54	2009/12/1	1992
D	#16NVA-NVB, #機井167	2009/12/1	2028
E	#機井168(GX 000599088F)	2010/12/21	2551
F	機井168(GX 000599088F) 変更	2010/12/21	2765
G	#159-GX 00059910D->GX10009910D	2013/3/21	100332d
H	#168-GX 000599088F->GX100099088F	2014/4/16	100356d

前機井力板  
 [GX 001045358D-BOM [Window t=8mm/12K(金)以下]  
 [GX 001045359D-BOM [Window t=12mm/15K(金)及以上]



MODEL: GX1300#50	PART NUMBER: GX1001045319F
PART NAME: ENCLOSURE ASSM.	PAGE: 2 OF 3
夕外型板金井 50, 32T	REV: H
DATE: 2009/1/16	SCALE: 1/20
AUSTIN	

REV	DESCRIPTION	DATE	ECN
A	新機一書機# 50.32T用	2009/1/6	1707
B	199-GX 00099075D-GXA00019075D	2009/1/21	1556
C	2.変更機. # 49, # 54	2009/9/29	1992
D	# 16INVA-NV.B.機機# 167	2009/12/01	2028
E	機機# 168(GX 000595088F)	2010/2/21	2551
F	168GX機機# 168(GX 000595088F)	2010/12/7	2765
G	# 158-GX 00099075D-GXA00019075D	2013/2/21	100320



MODEL: GX1300#50
PART NUMBER: GXA001045319F
PART NAME: ENCLOSURE ASSM. #50.32T
外型板金 #50.32T
DATE: 2009/1/16
SCALE: 1:24
REV: I



# PRODUCT BOM MASTER AND SUB-ITEMS LIST

\*\*\*\*\*

Master Item Part NO.: GXA001045319F

Description: ENCLOSURE ASSM(GX1300#50-32T)

外型板金(GX1300#50-32T)可拆式刀庫

Item	Part NO.	Description	中文名稱	Specification	Qty	Unit
1.00	GX 000022133F	PLATE,RIGHT SPLASH GUARD	右擋水板(#50-32T)	L1477XW497XH57.5	1.00	EA
2.00	GX 000022134F	PLATE,LEFT SPLASH GUARD	左擋水板(#50-32T)	L1477XW497XH57.5	1.00	EA
3.00	MS 0103617	SOCKET HEAD CAP SCREW	六角穴圓頭螺絲	M6XP1.0XL16	14.00	EA
4.00	MW 0103610	FLAT WASHER	平墊圈	M6(D6*D19*H2)	14.00	EA
5.00	MW 0183610	SPRING WASHER	彈簧墊圈	M6(HEAT TREATMENT)	14.00	EA
7.00	MS 0103617	SOCKET HEAD CAP SCREW	六角穴圓頭螺絲	M6XP1.0XL16	8.00	EA
8.00	MW 0103610	FLAT WASHER	平墊圈	M6(D6*D19*H2)	8.00	EA
9.00	MW 0183610	SPRING WASHER	彈簧墊圈	M6(HEAT TREATMENT)	8.00	EA
10.00	NV 00103590107	SST HANDLE, ARC TYPE	不鏽鋼弧形把手(P=600)	不鏽鋼弧形把手(P=600)MS-737-4-700-600	2.00	EA
12.00	GX 000199078D	PLATE,MIDDLE GUARD	中外型板金擋板	L1579XW39.1XH34	1.00	EA
13.00	MS 0104019	SOCKET HEAD CAP SCREW	六角穴圓頭螺絲	M10XP1.5XL25	24.00	EA
14.00	MW 0184010	SPRING WASHER	彈簧墊圈	M10(HEAT TREATMENT)	24.00	EA
15.00	MW 0104010	FLAT WASHER	平墊圈	M10	24.00	EA
16.03	NVB000022225A	SIDE DOOR, UPPER	側門(上)	L850XW602XH24.3	2.00	EA
17.00	MS 0103617	SOCKET HEAD CAP SCREW	六角穴圓頭螺絲	M6XP1.0XL16	8.00	EA
18.00	MW 0183610	SPRING WASHER	彈簧墊圈	M6(HEAT TREATMENT)	8.00	EA
19.00	NV 00106420103	RUBBER SEAL, SIDE DOOR	發泡橡膠	W20X3T(1捲=15米)	2.00	MT
29.00	NV 00103590106	COMPRESSION EXTENSIBLE LATCH	迫緊式伸縮門鎖	MS816-1	4.00	ST
30.01	NV 000022226A	SIDE DOOR, LOWER	側門(下)	L850XW602XH24.3	2.00	EA
31.00	NV 00106420101	RUBBER SEAL, SIDE DOOR	發泡橡膠	W20X2T	2.00	MT

\*\*\*\*\*  
**PRODUCT BOM MASTER AND SUB-ITEMS LIST**  
 \*\*\*\*\*

Item	Part NO.	Description	中文名稱	Specification	Qty	Unit
32.00	NV 000942400A	ROLLER, DOOR	滑輪	D54XL29	4.00	EA
33.00	NV 00082310101	RING, C-RETAINING	C型內扣	R-28	4.00	EA
34.00	NV 00002660104	BALL BEARING	單列深槽滾珠軸承	6001ZZ	4.00	EA
35.00	NV 000378000D	SEAT, DOOR ROLLER	輪座板	L825XW50XH28.3	2.00	EA
36.00	GX 000299078D	FRONT PLATE,ENCLOURE	前護板	L1704XW35.4XH20	1.00	EA
37.00	MS 0103314	SOCKET HD. CAP SCREW	六角穴圓頭螺絲	M3XP0.5XL8	4.00	EA
38.00	MW 0183310	SPRING WASHER	彈簧墊圈	M3(HEAT TREATMENT)	4.00	EA
39.00	NV 00082310201	RING, C-RETAINING	C型外扣	S-12	8.00	EA
40.00	NV 00002660104	BALL BEARING	單列深槽滾珠軸承	6001ZZ	8.00	EA
41.00	NV 000403801D	SHAFT, DOOR ROLLER	輪軸	D14.3XL28.5	8.00	EA
42.00	MS 0103617	SOCKET HEAD CAP SCREW	六角穴圓頭螺絲	M6XP1.0XL16	8.00	EA
43.00	MW 0183610	SPRING WASHER	彈簧墊圈	M6(HEAT TREATMENT)	8.00	EA
44.00	MW 0103610	FLAT WASHER	平墊圈	M6(D6*D19*H2)	8.00	EA
45.01	GX 000199053D	COVER	蓋	L1693XW56.6XH141.5	2.00	EA
51.00	MS 0103617	SOCKET HEAD CAP SCREW	六角穴圓頭螺絲	M6XP1.0XL16	20.00	EA
52.00	MW 0103610	FLAT WASHER	平墊圈	M6(D6*D19*H2)	20.00	EA
53.00	MW 0183610	SPRING WASHER	彈簧墊圈	M6(HEAT TREATMENT)	20.00	EA
55.01	GX 000299083D	SUPPORT, GUARD	外型板金支撐架	L590.7XW99.9XH237.3	6.00	EA
66.01	GX 000378005F	DOOR, GUARD FRONT LEFT	左活動門(GX1300#50-32T)	L900XW1484.7XH513	1.00	EA
67.01	GX 000378004F	DOOR, GUARD FRONT RIGHT	右活動門(GX1300#50-32T)	L875XW1487XH513	1.00	EA
71.00	MS 0103617	SOCKET HEAD CAP SCREW	六角穴圓頭螺絲	M6XP1.0XL16	28.00	EA
72.00	MW 0183610	SPRING WASHER	彈簧墊圈	M6(HEAT TREATMENT)	28.00	EA
73.01	NVA000599084A	STOPER, DOOR	止動塊	L71XW40XH35	2.00	EA

\*\*\*\*\*  
**PRODUCT BOM MASTER AND SUB-ITEMS LIST**  
 \*\*\*\*\*

Item	Part NO.	Description	中文名稱	Specification	Qty	Unit
74.00	MS 0103516	SOCKET HEAD CAP SCREW	六角穴圓頭螺絲	M5XP0.8XL12	4.00	EA
75.00	MW 0183510	SPRING WASHER	彈簧墊圈	M5(HEAT TREATMENT)	4.00	EA
76.00	MW 0103510	FLAT WASHER	平墊圈	M5	4.00	EA
77.00	NV 001033102A	PLUG, SPLASH GUARD	孔塞	D30.5XL9.5	2.00	EA
78.00	GX 000299079D	DOOR GUIDE,UPPER	上滑道	L698XW49XH46.6	2.00	EA
79.04	GXA00022132F	GUARD,LEFT END	左外型板金(GX1300#50-32T)	L1703XW1842XH894	1.00	EA
80.00	GX 000299077D	ROD,FRONT DOOR GUIDE	前門滑道	L1507.5XW25.4XH25.4	2.00	EA
87.00	GX 000199057D	SEAT,DOOR SWITCH	開關座	L50XW25XH20	1.00	EA
88.01	GX 000022108D	MIDDLE GUARD	中外型板金	L1593XW52XH330	1.00	EA
89.00	GX 000022108F	DOOR GUIDE,UPPER	上滑道(GX1300#50-32T)	L1866XW53.6XH161.6	1.00	EA
90.03	GX 000022131F	GUARD,RIGHT END	右外型板金(GX1300#50-32T)	L1703XW1842XH894	1.00	EA
91.00	MS 0103617	SOCKET HEAD CAP SCREW	六角穴圓頭螺絲	M6XP1.0XL16	10.00	EA
92.00	MW 0103610	FLAT WASHER	平墊圈	M6(D6*D19*H2)	10.00	EA
93.00	MW 0183610	SPRING WASHER	彈簧墊圈	M6(HEAT TREATMENT)	10.00	EA
94.00	GX 000199060D	COVER	護蓋	L130XW55XH55	1.00	EA
95.00	MS 0103514	SOCKET HEAD CAP SCREW	六角穴圓頭螺絲	M5XP0.8XL8	4.00	EA
96.00	MW 0183510	SPRING WASHER	彈簧墊圈	M5(HEAT TREATMENT)	4.00	EA
97.08	GXA000199069D	BOX(PNEUMATIC PARTS)	箱(氣壓組件)	L880XW400XH152.3	1.00	EA
98.01	GXA000199075D	ROTARY DOOR	門鈹	L762XW266XH30	1.00	EA
99.00	MS 0103617	SOCKET HEAD CAP SCREW	六角穴圓頭螺絲	M6XP1.0XL16	4.00	EA
100.00	MW 0183610	SPRING WASHER	彈簧墊圈	M6(HEAT TREATMENT)	4.00	EA
103.02	GXA000199056D	SIDE COVER,COLUMN	立柱側蓋	L1232XW336XH111.3	1.00	EA
104.00	GX 000199063D	ROTARY DOOR	旋轉門	L834XW228XH19	1.00	EA

\*\*\*\*\*  
**PRODUCT BOM MASTER AND SUB-ITEMS LIST**  
 \*\*\*\*\*

Item	Part NO.	Description	中文名稱	Specification	Qty	Unit
105.00	MS 0103617	SOCKET HEAD CAP SCREW	六角穴圓頭螺絲	M6XP1.0XL16	5.00	EA
106.00	MW 0103610	FLAT WASHER	平墊圈	M6(D6*D19*H2)	5.00	EA
107.00	MW 0183610	SPRING WASHER	彈簧墊圈	M6(HEAT TREATMENT)	5.00	EA
109.00	MW 0183510	SPRING WASHER	彈簧墊圈	M5(HEAT TREATMENT)	7.00	EA
110.00	MW 0103510	FLAT WASHER	平墊圈	M5	7.00	EA
111.00	MS 0103515	SOCKET HEAD CAP SCREW	六角穴圓頭螺絲	M5XP0.8XL10	7.00	EA
117.00	MS 0103515	SOCKET HEAD CAP SCREW	六角穴圓頭螺絲	M5XP0.8XL10	16.00	EA
118.00	MW 0103510	FLAT WASHER	平墊圈	M5	16.00	EA
119.00	MW 0183510	SPRING WASHER	彈簧墊圈	M5(HEAT TREATMENT)	16.00	EA
120.00	MS 0103416	SOCKET HEAD CAP SCREW	六角穴圓頭螺絲	M4XP0.7XL12	2.00	EA
121.00	MW 0103410	FLAT WASHER	平墊圈	M4X10DX1T	2.00	EA
122.00	MW 0183410	SPRING WASHER	彈簧墊圈	M4(HEAT TREATMENT)	2.00	EA
123.00	MN 0113410	HEXAGON NUT	六角螺帽	M4XP0.7	2.00	EA
124.03	GXB001010900D	NOZZLE	切削水接頭	L1450XD27.2	2.00	EA
125.01	NV 000022137D	BRACKET	固定塊	L55XW38XH5	4.00	EA
126.00	MW 0103610	FLAT WASHER	平墊圈	M6(D6*D19*H2)	8.00	EA
127.00	MW 0183610	SPRING WASHER	彈簧墊圈	M6(HEAT TREATMENT)	8.00	EA
128.00	MS 0103617	SOCKET HEAD CAP SCREW	六角穴圓頭螺絲	M6XP1.0XL16	8.00	EA
129.00	GX 000299090D	SUPPORTER, REAR COVER	背側板金支撐架	L509W344H70	1.00	EA
130.00	MS 0103820	SOCKET HEAD CAP SCREW	六角穴圓頭螺絲	M8XP1.25XL30	2.00	EA
131.00	MW 0183810	SPRING WASHER	彈簧墊圈	M8(HEAT TREATMENT)	2.00	EA
132.01	GX 000299091D	REAR COVER(2)	背側蓋板(2)	L557.3XW486.5XH500	1.00	EA
133.02	GXB000399054F	SIDE COVER,COLUMN	立柱背側蓋板	L830XW931XH557.3	1.00	EA

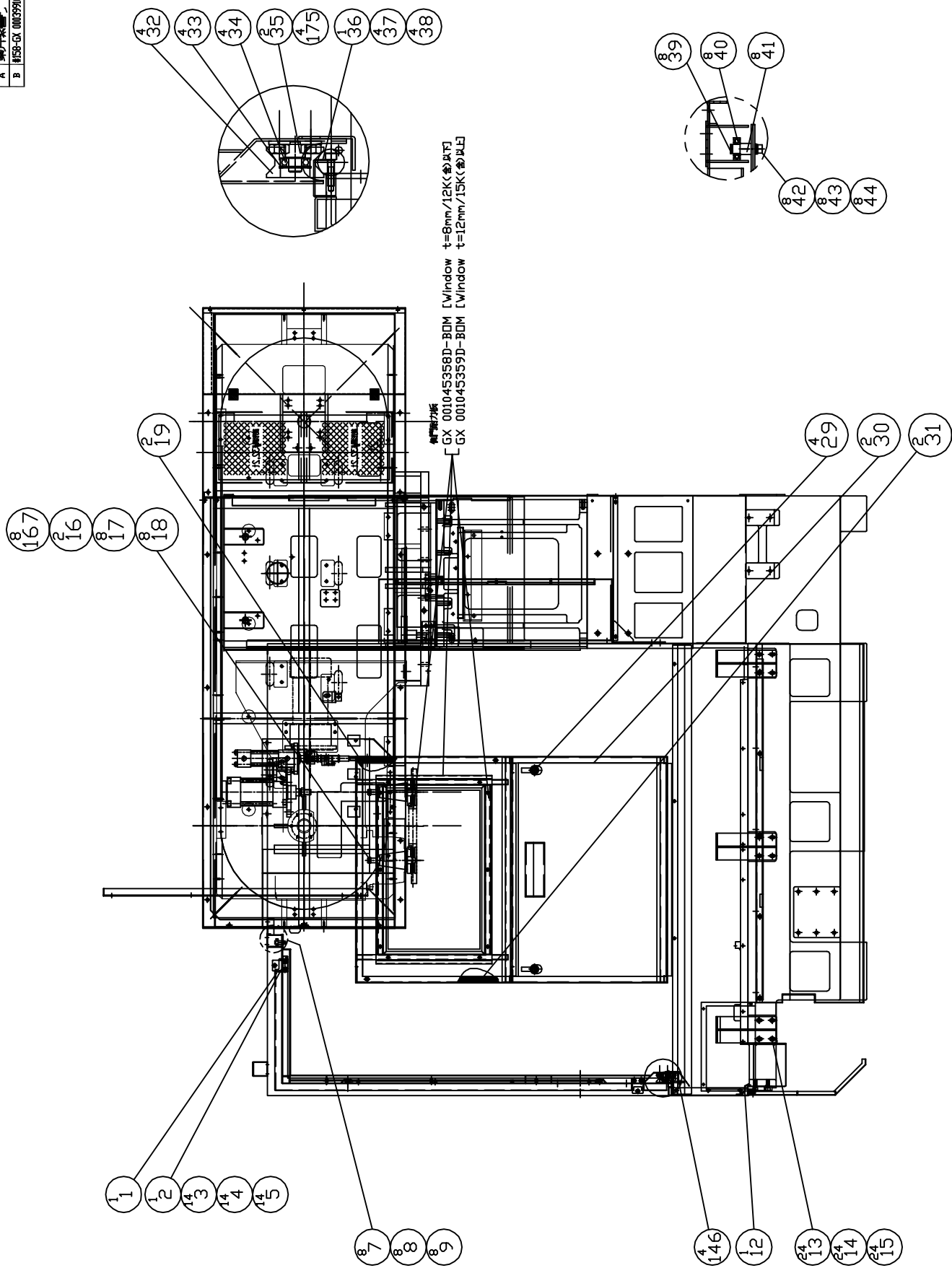
\*\*\*\*\*  
**PRODUCT BOM MASTER AND SUB-ITEMS LIST**  
 \*\*\*\*\*

Item	Part NO.	Description	中文名稱	Specification	Qty	Unit
134.00	MS 0103617	SOCKET HEAD CAP SCREW	六角圓頭螺絲	M6XP1.0XL16	12.00	EA
135.00	MW 0183610	SPRING WASHER	彈簧墊圈	M6(HEAT TREATMENT)	12.00	EA
137.00	GX 000399006D	COVER(REAR COVER)	蓋板(背側蓋板)	L998XW598XH2.3	1.00	EA
138.00	GX 00103590101	LATCH, COPPER, TWIN BALL	銅雙珠門擋[允隙]	[TAI SAM]TK-60	1.00	EA
146.01	NVA000899025A	PLATE, FRONT DOOR	前門護板	L53XW32XH32	4.00	EA
147.00	GX 001010901D	NOZZLE, COOLANT	切削水噴嘴(銅)	PT1/4"XD13.5XL25.5	18.00	EA
150.00	MS 0103415	SOCKET HEAD CAP SCREW	六角圓頭螺絲	M4XP0.7XL10	2.00	EA
151.00	MW 0183410	SPRING WASHER	彈簧墊圈	M4(HEAT TREATMENT)	2.00	EA
152.00	MW 0103410	FLAT WASHER	平墊圈	M4X10DX1T	2.00	EA
153.00	MS 0103414	SOCKET HEAD CAP SCREW	六角圓頭螺絲	M4XP0.7XL8	2.00	EA
154.00	MW 0183410	SPRING WASHER	彈簧墊圈	M4(HEAT TREATMENT)	2.00	EA
155.00	MW 0103410	FLAT WASHER	平墊圈	M4X10DX1T	2.00	EA
157.00	GX 000199190D	SIDE COVER,PLATE(FRON)	側蓋固定板(前)	L1286XW55XH27	1.00	EA
158.01	GXA000399103D	COVER PLATE, GUARD RIGHT	右側蓋板(前)	H1353XW405.3XH22	1.00	EA
159.00	GX 000399101D	PLATE,WASH DOWN	噴槍護板	H100X70XT2.0	1.00	EA
160.00	GX 000399102D	BRACKET,WASH DOWN	噴槍固定座	H100XW70X65.8	1.00	EA
161.01	GX 000599006D	PLATE	護板	L1497XW193XH90.1	2.00	EA
162.00	GX 000299001D	PLATE	護板(右後)	L836XW762XT1.2	1.00	EA
163.00	GX 000299002D	PLATE	護板(右前)	L836XW926.4XT1.2	1.00	EA
164.01	GX 000299003F	PLATE	護板	L836XW762XT1.2	1.00	EA
165.00	GX 000299004D	PLATE	護板(左前)	L836XW926.4XT1.2	1.00	EA
166.00	GX 000299005D	PLATE	護板	L1623XW89.8XT2.3	2.00	EA
167.00	NV 00082310113	RING, C-RETAINING	C型內扣	R-12	8.00	EA

PRODUCT BOM MASTER AND SUB-ITEMS LIST  
\*\*\*\*\*

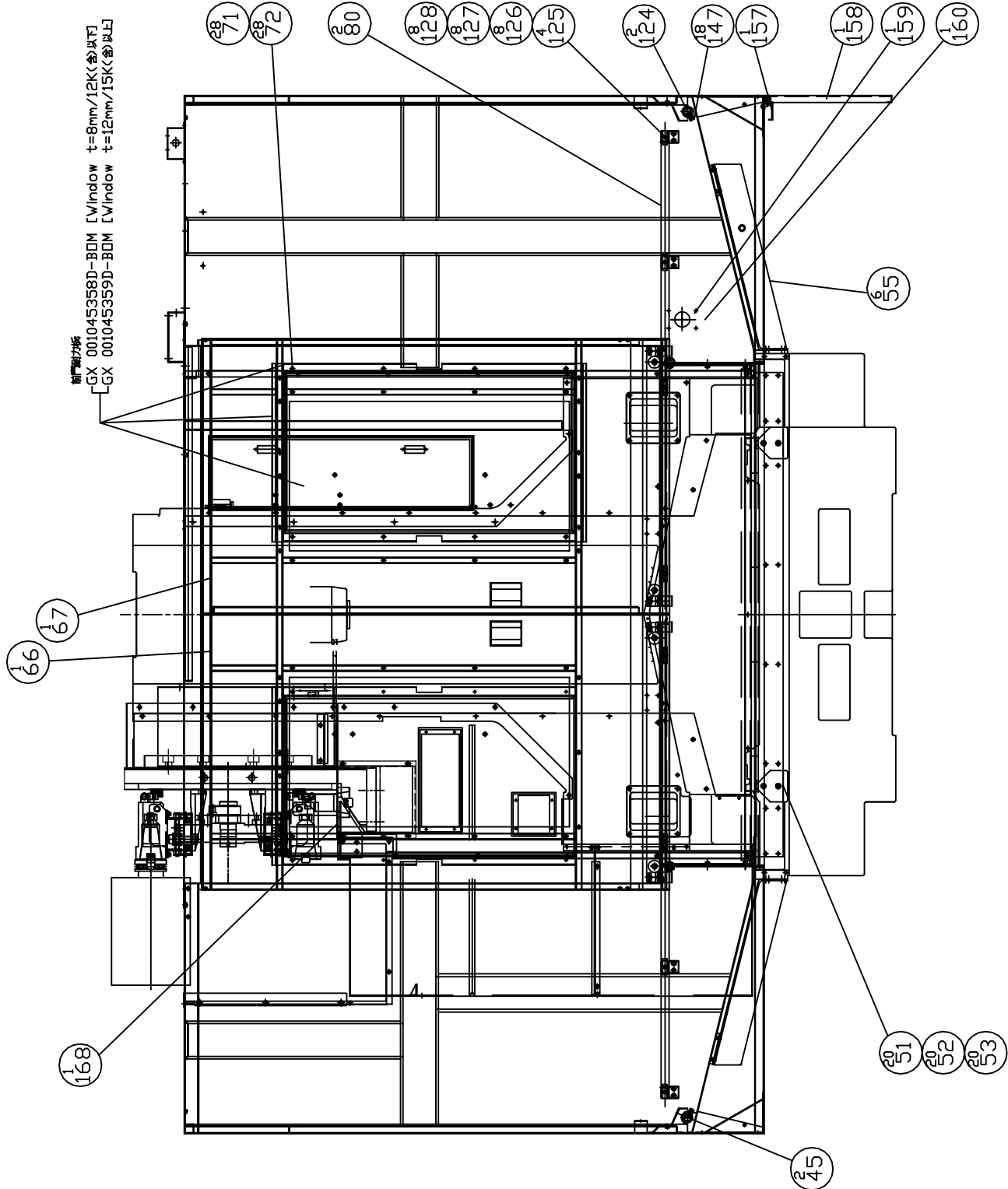
Item	Part NO.	Description	中文名稱	Specification	Qty	Unit
168.10	GX 000599089F	BOTTOM COVER, ATC SEAT	刀倉座下蓋板(#50-32T)	L252XW271.1XH130.5	1.00	EA
169.00	GX 000399105F	SIDE COVER,COLUMN 2	立柱背側蓋板2	L178XW69XH14.3	1.00	EA
170.00	GH 000022163B	PLATE	插銷固定板	L50XW10XH2.3	1.00	EA
171.00	NV 00103590109	COMPRESSION EXTENSIBLE LATCH	迫緊式伸縮門鎖	MS816-3	1.00	ST
172.00	NV 00103590110	LATCH	平面型迫緊門扣[允際]	[TAI-SAN]MS-732-2A	2.00	EA
175.00	NV 000403802A	SHAFT, DOOR ROLLER	輪軸	D18XL27.5	4.00	EA

REV	DESCRIPTION	DATE	EON
A	第一次修訂	2011/3/20	2586
B	第二次修訂	2011/4/27	100326



MODEL: GX1300#50	PART NUMBER: GX 001045321F
PART NAME: ENCLOSURE ASSM.	PAGE 1 OF 3
外型板金GX1300#50-32T-光栅	REV. B
DATE 2011/4/27	SCALE 1:22
SCOTT-HUANG	TOM

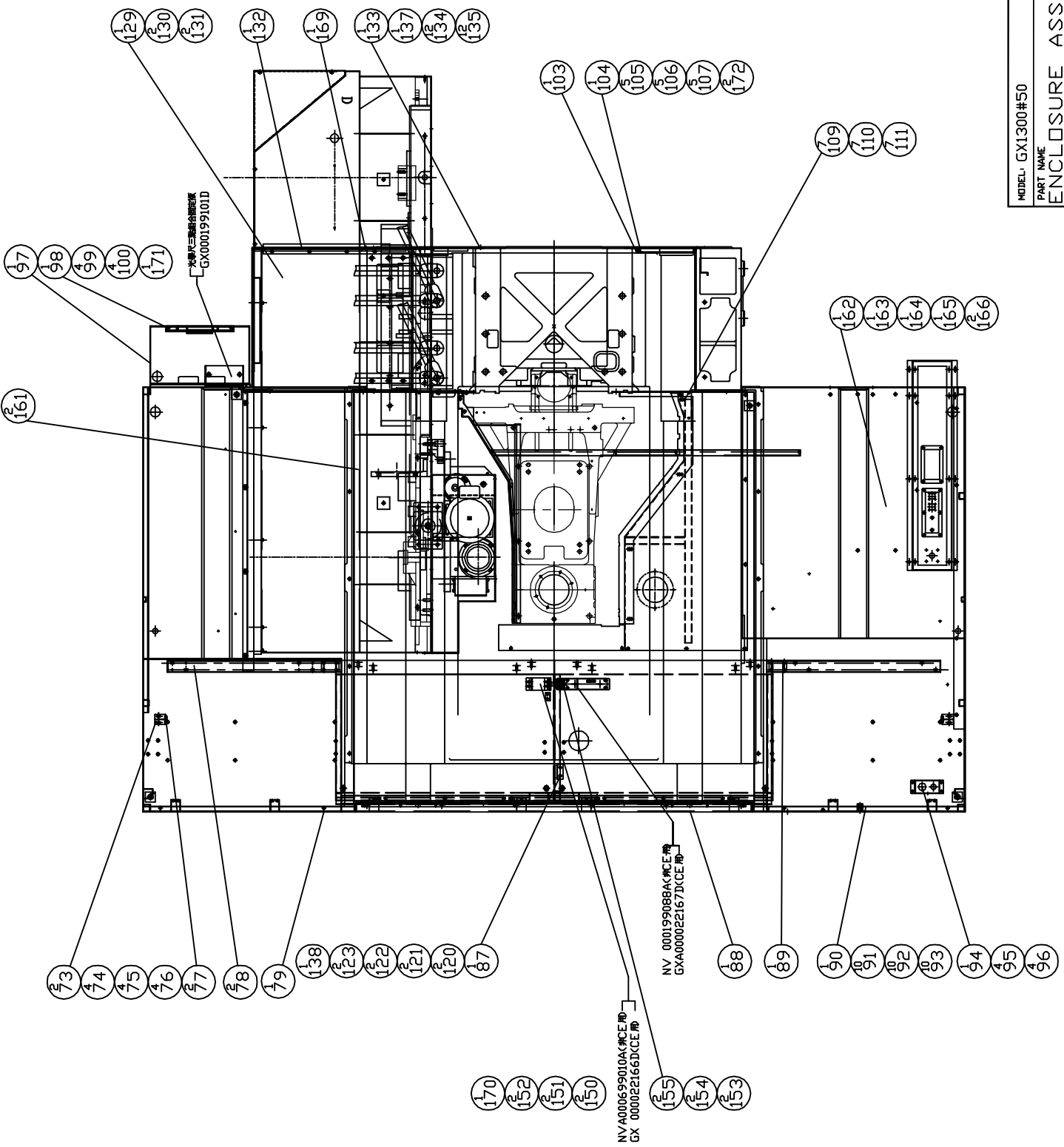
REV	DESCRIPTION	DATE	ECN
A	新設計	2012/02/25	2586
B	修正-GX 001045358D-GX 001045359D	2013/02/10	3328
C	修正-GX 001045358F-GX 001045359F	2014/06/10	3564



MODEL: GX1300#50	PART NUMBER: GX 001045321F
PART NAME: ENCLOSURE ASSM.	PAGE: 2 OF 3
外型板: GX1300#50-32T-光栅	REV: C
DATE: 2011/4/27	SCALE: 1:20
SCOTT-HUANG	TOM



REV	DESCRIPTION	DATE	ECN
A	新設計	2011/3/21	2586
B	#15B-GX 00039100-01A00039103	2013/3/20	1003326
C	#15B-GX 00039100-01A00039103	2013/7/22	1003442
D	#15B-GX 00039100-01A00039103	2013/7/22	1003442
E	#170-GX 00022163B → NVA00199010A	2012/2/20	1003527



MODEL: GX1300#50	PART NUMBER: GX 001045321F
PART NAME: ENCLOSURE ASSM.	PAGE 3 OF 3
外型名称: GX1300#50-32T-光栅	REV: E
DATE: 2011/4/27	SCALE: 1:24
SCOTT-HUANG	

PRODUCT BOM MASTER AND SUB-ITEMS LIST  
\*\*\*\*\*

Master Item Part NO.: GX 001045321F

Description: ENCLOSURE ASSM(GX1300#50-32T)  
外型板金(GX1300#50-32T-光柵)

Item	Part NO.	Description	中文名稱	Specification	Qty	Unit
1.00	GX 000022133F	PLATE,RIGHT SPLASH GUARD	右擋水板(#50-32T)	L1477XW497XH57.5	1.00	EA
2.00	GX 000022134F	PLATE,LEFT SPLASH GUARD	左擋水板(#50-32T)	L1477XW497XH57.5	1.00	EA
3.00	MS 0103617	SOCKET HEAD CAP SCREW	六角穴圓頭螺絲	M6XP1.0XL16	14.00	EA
4.00	MW 0103610	FLAT WASHER	平墊圈	M6(D6*D19*H2)	14.00	EA
5.00	MW 0183610	SPRING WASHER	彈簧墊圈	M6(HEAT TREATMENT)	14.00	EA
7.00	MS 0103617	SOCKET HEAD CAP SCREW	六角穴圓頭螺絲	M6XP1.0XL16	8.00	EA
8.00	MW 0103610	FLAT WASHER	平墊圈	M6(D6*D19*H2)	8.00	EA
9.00	MW 0183610	SPRING WASHER	彈簧墊圈	M6(HEAT TREATMENT)	8.00	EA
12.00	GX 000199078D	PLATE,MIDDLE GUARD	中外型板金擋板	L1579XW39.1XH34	1.00	EA
13.00	MS 0104019	SOCKET HEAD CAP SCREW	六角穴圓頭螺絲	M10XP1.5XL25	24.00	EA
14.00	MW 0184010	SPRING WASHER	彈簧墊圈	M10(HEAT TREATMENT)	24.00	EA
15.00	MW 0104010	FLAT WASHER	平墊圈	M10	24.00	EA
16.03	NVB000022225A	SIDE DOOR, UPPER	側門(上)	L850XW602XH24.3	2.00	EA
17.00	MS 0103617	SOCKET HEAD CAP SCREW	六角穴圓頭螺絲	M6XP1.0XL16	8.00	EA
18.00	MW 0183610	SPRING WASHER	彈簧墊圈	M6(HEAT TREATMENT)	8.00	EA
19.00	NV 00106420103	RUBBER SEAL, SIDE DOOR	發泡橡膠	W20X3T(1捲=15米)	2.00	MT
29.00	NV 00103590106	COMPRESSION EXTENSIBLE LATCH	迫緊式伸縮門鎖	MS816-1	4.00	ST
30.01	NV 000022226A	SIDE DOOR, LOWER	側門(下)	L850XW602XH24.3	2.00	EA
31.00	NV 00106420101	RUBBER SEAL, SIDE DOOR	發泡橡膠	W20X2T	2.00	MT
32.00	NV 000942400A	ROLLER, DOOR	滑輪	D54XL29	4.00	EA

PRODUCT BOM MASTER AND SUB-ITEMS LIST  
\*\*\*\*\*

Item	Part NO.	Description	中文名稱	Specification	Qty	Unit
33.00	NV 00082310101	RING, C-RETAINING	C型內扣	R-28	4.00	EA
34.00	NV 00002660104	BALL BEARING	單列深槽滾珠軸承	6001ZZ	4.00	EA
35.00	NV 000378000D	SEAT, DOOR ROLLER	輪座板	L825XW50XH28.3	2.00	EA
36.00	GX 000299078D	FRONT PLATE,ENCLOURE	前護板	L1704XW35.4XH20	1.00	EA
37.00	MS 0103314	SOCKET HD. CAP SCREW	六角穴圓頭螺絲	M3XP0.5XL8	4.00	EA
38.00	MW 0183310	SPRING WASHER	彈簧墊圈	M3(HEAT TREATMENT)	4.00	EA
39.00	NV 00082310201	RING, C-RETAINING	C型外扣	S-12	8.00	EA
40.00	NV 00002660104	BALL BEARING	單列深槽滾珠軸承	6001ZZ	8.00	EA
41.00	NV 000403801D	SHAFT, DOOR ROLLER	輪軸	D14.3XL28.5	8.00	EA
42.00	MS 0103617	SOCKET HEAD CAP SCREW	六角穴圓頭螺絲	M6XP1.0XL16	8.00	EA
43.00	MW 0183610	SPRING WASHER	彈簧墊圈	M6(HEAT TREATMENT)	8.00	EA
44.00	MW 0103610	FLAT WASHER	平墊圈	M6(D6*D19*H2)	8.00	EA
45.01	GX 000199053D	COVER	蓋	L1693XW56.6XH141.5	2.00	EA
51.00	MS 0103617	SOCKET HEAD CAP SCREW	六角穴圓頭螺絲	M6XP1.0XL16	20.00	EA
52.00	MW 0103610	FLAT WASHER	平墊圈	M6(D6*D19*H2)	20.00	EA
53.00	MW 0183610	SPRING WASHER	彈簧墊圈	M6(HEAT TREATMENT)	20.00	EA
55.01	GX 000299083D	SUPPORT, GUARD	外型板金支撐架	L590.7XW99.9XH237.3	6.00	EA
66.02	GX 000022145F	DOOR, GUARD FRONT LEFT	左活動門-光柵用(GX1300#50-32T)	L875XW1487XH513	1.00	EA
67.02	GX 000022144F	DOOR, GUARD FRONT RIGHT	右活動門-光柵用(GX1300#50-32T)	L875XW1487XH513	1.00	EA
71.00	MS 0103617	SOCKET HEAD CAP SCREW	六角穴圓頭螺絲	M6XP1.0XL16	28.00	EA
72.00	MW 0183610	SPRING WASHER	彈簧墊圈	M6(HEAT TREATMENT)	28.00	EA
73.01	NVA000599084A	STOPER, DOOR	止動塊	L71XW40XH35	2.00	EA
74.00	MS 0103516	SOCKET HEAD CAP SCREW	六角穴圓頭螺絲	M5XP0.8XL12	4.00	EA

\*\*\*\*\*  
**PRODUCT BOM MASTER AND SUB-ITEMS LIST**  
 \*\*\*\*\*

Item	Part NO.	Description	中文名稱	Specification	Qty	Unit
75.00	MW 0183510	SPRING WASHER	彈簧墊圈	M5(HEAT TREATMENT)	4.00	EA
76.00	MW 0103510	FLAT WASHER	平墊圈	M5	4.00	EA
77.00	NV 001033102A	PLUG, SPLASH GUARD	孔塞	D30.5XL9.5	2.00	EA
78.00	GX 000299079D	DOOR GUIDE,UPPER	上滑道	L698XW49XH46.6	2.00	EA
79.03	GX 000022142F	GUARD,LEFT END	左外型板金-光柵用(GX1300#50-32T)	L1703XW1842XH894(光柵用)	1.00	EA
80.00	GX 000299077D	ROD,FRONT DOOR GUIDE	前門滑道	L1507.5XW25.4XH25.4	2.00	EA
87.00	GX 000199057D	SEAT,DOOR SWITCH	開關座	L50XW25XH20	1.00	EA
88.01	GX 000022108D	MIDDLE GUARD	中外型板金	L1593XW52XH330	1.00	EA
89.00	GX 000022108F	DOOR GUIDE,UPPER	上滑道(GX1300#50-32T)	L1866XW53.6XH161.6	1.00	EA
90.02	GX 000022141F	GUARD,RIGHT END	右外型板金-光柵用(GX1300#50-32T)	L1703XW1842XH894(光柵用)	1.00	EA
91.00	MS 0103617	SOCKET HEAD CAP SCREW	六角穴圓頭螺絲	M6XP1.0XL16	10.00	EA
92.00	MW 0103610	FLAT WASHER	平墊圈	M6(D6*D19*H2)	10.00	EA
93.00	MW 0183610	SPRING WASHER	彈簧墊圈	M6(HEAT TREATMENT)	10.00	EA
94.00	GX 000199060D	COVER	護蓋	L130XW55XH55	1.00	EA
95.00	MS 0103514	SOCKET HEAD CAP SCREW	六角穴圓頭螺絲	M5XP0.8XL8	4.00	EA
96.00	MW 0183510	SPRING WASHER	彈簧墊圈	M5(HEAT TREATMENT)	4.00	EA
97.08	GXA000199069D	BOX(PNEUMATIC PARTS)	箱(氣壓組件)	L880XW400XH152.3	1.00	EA
98.01	GXA000199075D	ROTARY DOOR	門鈹	L762XW266XH30	1.00	EA
99.00	MS 0103617	SOCKET HEAD CAP SCREW	六角穴圓頭螺絲	M6XP1.0XL16	4.00	EA
100.00	MW 0183610	SPRING WASHER	彈簧墊圈	M6(HEAT TREATMENT)	4.00	EA
103.02	GXA000199056D	SIDE COVER,COLUMN	立柱側蓋	L1232XW336XH111.3	1.00	EA
104.00	GX 000199063D	ROTARY DOOR	旋轉門	L834XW228XH19	1.00	EA
105.00	MS 0103617	SOCKET HEAD CAP SCREW	六角穴圓頭螺絲	M6XP1.0XL16	5.00	EA

\*\*\*\*\*  
**PRODUCT BOM MASTER AND SUB-ITEMS LIST**  
 \*\*\*\*\*

Item	Part NO.	Description	中文名稱	Specification	Qty	Unit
106.00	MW 0103610	FLAT WASHER	平墊圈	M6(D6*D19*H2)	5.00	EA
107.00	MW 0183610	SPRING WASHER	彈簧墊圈	M6(HEAT TREATMENT)	5.00	EA
109.00	MW 0183510	SPRING WASHER	彈簧墊圈	M5(HEAT TREATMENT)	7.00	EA
110.00	MW 0103510	FLAT WASHER	平墊圈	M5	7.00	EA
111.00	MS 0103515	SOCKET HEAD CAP SCREW	六角穴圓頭螺絲	M5XP0.8XL10	7.00	EA
117.00	MS 0103515	SOCKET HEAD CAP SCREW	六角穴圓頭螺絲	M5XP0.8XL10	16.00	EA
118.00	MW 0103510	FLAT WASHER	平墊圈	M5	16.00	EA
119.00	MW 0183510	SPRING WASHER	彈簧墊圈	M5(HEAT TREATMENT)	16.00	EA
120.00	MS 0103416	SOCKET HEAD CAP SCREW	六角穴圓頭螺絲	M4XP0.7XL12	2.00	EA
121.00	MW 0103410	FLAT WASHER	平墊圈	M4X10DX1T	2.00	EA
122.00	MW 0183410	SPRING WASHER	彈簧墊圈	M4(HEAT TREATMENT)	2.00	EA
123.00	MN 0113410	HEXAGON NUT	六角螺帽	M4XP0.7	2.00	EA
124.03	GXB001010900D	NOZZLE	切削水接頭	L1450XD27.2	2.00	EA
125.01	NV 000022137D	BRACKET	固定塊	L55XW38XH5	4.00	EA
126.00	MW 0103610	FLAT WASHER	平墊圈	M6(D6*D19*H2)	8.00	EA
127.00	MW 0183610	SPRING WASHER	彈簧墊圈	M6(HEAT TREATMENT)	8.00	EA
128.00	MS 0103617	SOCKET HEAD CAP SCREW	六角穴圓頭螺絲	M6XP1.0XL16	8.00	EA
129.00	GX 000299090D	SUPPORTER, REAR COVER	背側板金支撐架	L509W344H70	1.00	EA
130.00	MS 0103820	SOCKET HEAD CAP SCREW	六角穴圓頭螺絲	M8XP1.25XL30	2.00	EA
131.00	MW 0183810	SPRING WASHER	彈簧墊圈	M8(HEAT TREATMENT)	2.00	EA
132.01	GX 000299091D	REAR COVER(2)	背側蓋板(2)	L557.3XW486.5XH500	1.00	EA
133.02	GXB00399054F	SIDE COVER,COLUMN	立柱背側蓋板	L830XW931XH557.3	1.00	EA
134.00	MS 0103617	SOCKET HEAD CAP SCREW	六角穴圓頭螺絲	M6XP1.0XL16	12.00	EA

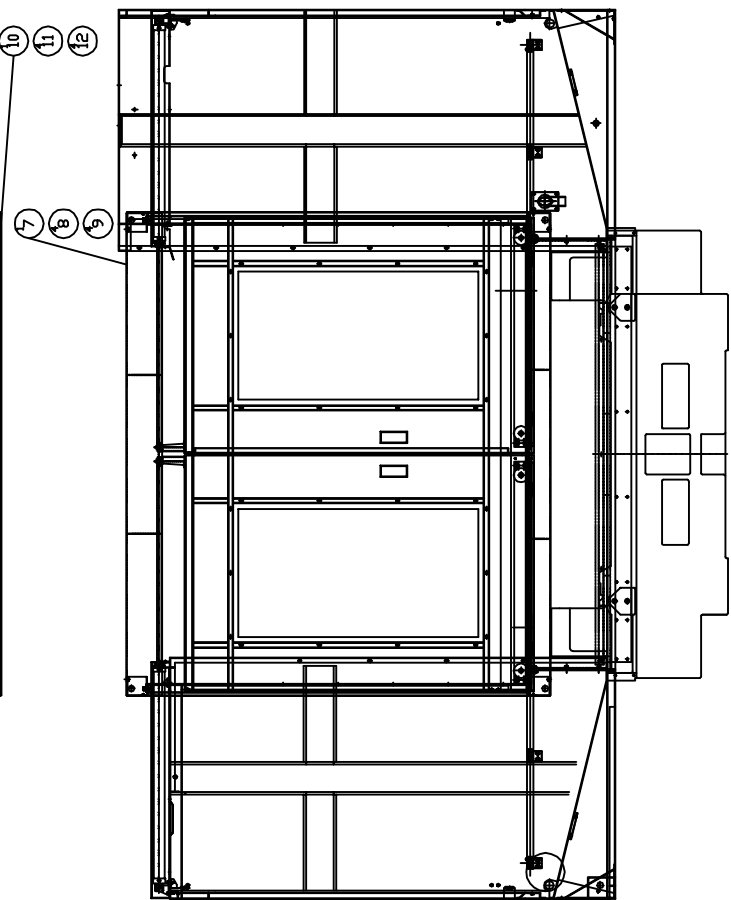
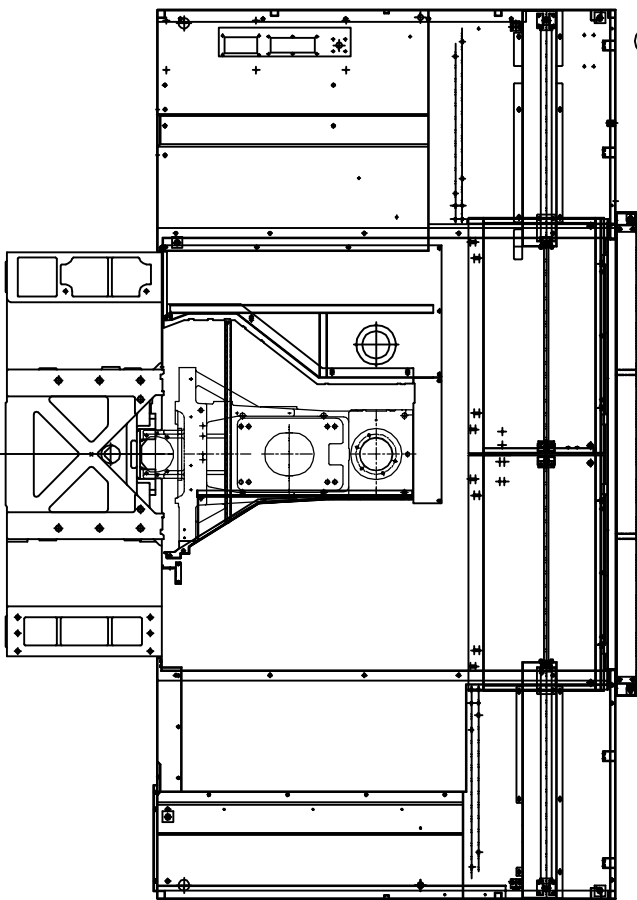
\*\*\*\*\*  
**PRODUCT BOM MASTER AND SUB-ITEMS LIST**  
 \*\*\*\*\*

Item	Part NO.	Description	中文名稱	Specification	Qty	Unit
135.00	MW 0183610	SPRING WASHER	彈簧墊圈	M6(HEAT TREATMENT)	12.00	EA
137.00	GX 000399006D	COVER(REAR COVER)	蓋板(背側蓋板)	L998XW598XH2.3	1.00	EA
138.00	GX 00103590101	LATCH, COPPER, TWIN BALL	銅雙珠門擋[允際]	[TAI SAM]TK-60	1.00	EA
146.01	NVA000899025A	PLATE, FRONT DOOR	前門護板	L53XW32XH32	4.00	EA
147.00	GX 001010901D	NOZZLE, COOLANT	切削水噴嘴(銅)	PT1/4"XD13.5XL25.5	18.00	EA
150.00	MS 0103415	SOCKET HEAD CAP SCREW	六角穴圓頭螺絲	M4XP0.7XL10	2.00	EA
151.00	MW 0183410	SPRING WASHER	彈簧墊圈	M4(HEAT TREATMENT)	2.00	EA
152.00	MW 0103410	FLAT WASHER	平墊圈	M4X10DX1T	2.00	EA
153.00	MS 0103414	SOCKET HEAD CAP SCREW	六角穴圓頭螺絲	M4XP0.7XL8	2.00	EA
154.00	MW 0183410	SPRING WASHER	彈簧墊圈	M4(HEAT TREATMENT)	2.00	EA
155.00	MW 0103410	FLAT WASHER	平墊圈	M4X10DX1T	2.00	EA
157.00	GX 000199190D	SIDE COVER,PLATE(FRON)	側蓋固定板(前)	L1286XW55XH27	1.00	EA
158.01	GXA000399103D	COVER PLATE, GUARD RIGHT	右側蓋板(前)	H1353XW405.3XH22	1.00	EA
159.00	GX 000399101D	PLATE,WASH DOWN	噴槍護板	H100X70XT2.0	1.00	EA
160.00	GX 000399102D	BRACKET,WASH DOWN	噴槍固定座	H100XW70X65.8	1.00	EA
161.01	GX 000599006D	PLATE	護板	L1497XW193XH90.1	2.00	EA
162.00	GX 000299001D	PLATE	護板(右後)	L836XW762XT1.2	1.00	EA
163.00	GX 000299002D	PLATE	護板(右前)	L836XW926.4XT1.2	1.00	EA
164.01	GX 000299003F	PLATE	護板	L836XW762XT1.2	1.00	EA
165.00	GX 000299004D	PLATE	護板(左前)	L836XW926.4XT1.2	1.00	EA
166.00	GX 000299005D	PLATE	護板	L1623XW89.8XT2.3	2.00	EA
167.00	NV 00082310113	RING, C-RETAINING	C型內扣	R-12	8.00	EA
168.10	GX 000599089F	BOTTOM COVER, ATC SEAT	刀倉座下蓋板(#50-32T)	L252XW271.1XH130.5	1.00	EA

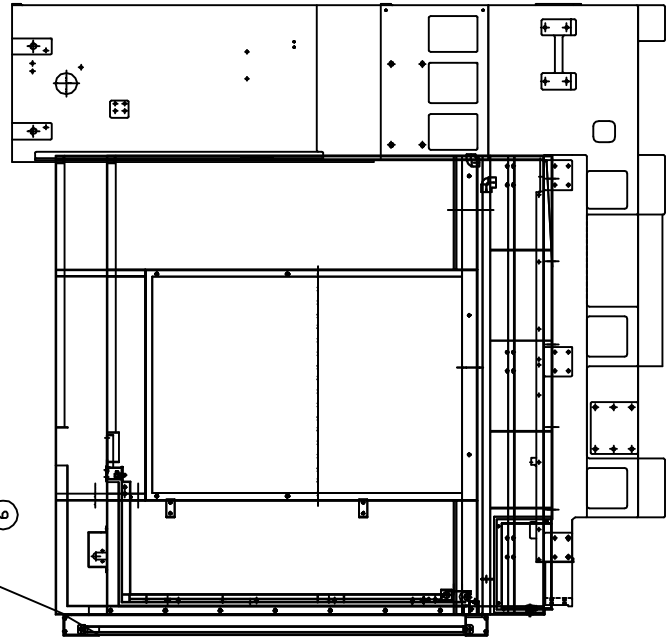
PRODUCT BOM MASTER AND SUB-ITEMS LIST  
\*\*\*\*\*

Item	Part NO.	Description	中文名稱	Specification	Qty	Unit
169.00	GX 000399105F	SIDE COVER,COLUMN 2	立柱背側蓋板2	L178XW69XH14.3	1.00	EA
170.00	GH 000022163B	PLATE	插銷固定板	L50XW10XH2.3	1.00	EA
171.00	NV 00103590109	COMPRESSION EXTENSIBLE LATCH	迫緊式伸縮門鎖	MS816-3	1.00	ST
172.00	NV 00103590110	LATCH	平面型迫緊門扣[允際]	[TAI-SAN]MS-732-2A	2.00	ST
175.00	NV 000403802A	SHAFT, DOOR ROLLER	輪軸	D18XL27.5	4.00	EA

REV	DESCRIPTION	DATE	ENR
A	新機	2012/05/09	2506



- ①
- ②
- ③
- ④
- ⑤
- ⑥



MODEL: GX 1300 #50-24T	PART NUMBER
PART NAME	GX 001045322F
DATE 2012/05/09	PAGE 1 OF 1
SCOTT-HUANG	REV. A
TOM	SCALE 1:30



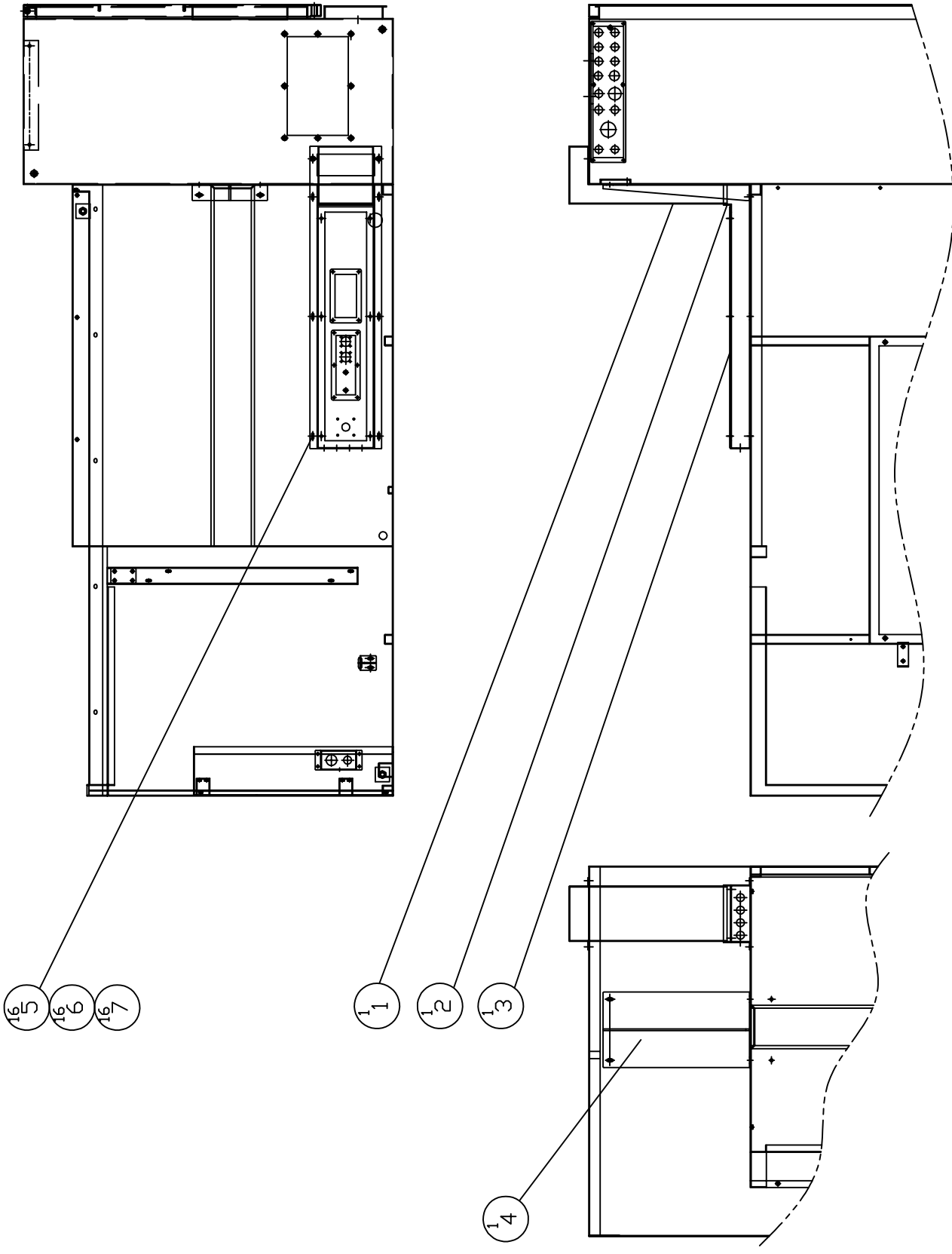
\*\*\*\*\*  
PRODUCT BOM MASTER AND SUB-ITEMS LIST  
\*\*\*\*\*

Master Item Part NO.: GX 001045322F

Description: SCREEN ASSM(GX1300#50-32T)  
光柵固定組件(GX1300#50-32T)

Item Part NO.	Description	中文名稱	Specification	Qty	Unit
1.02	GXA000022137F SUPPORT,RIGHT CURTAIN	左/右支撐板-光柵用(GX1300#50-24/32T)	L1544XW64.6XH50	2.00	EA
2.00	MS 0103618 SOCKET HEAD CAP SCREW	六角穴圓頭螺絲	M6XP1.0XL20	7.00	EA
3.00	MW 0183610 SPRING WASHER	彈簧墊圈	M6(HEAT TREATMENT)	7.00	EA
5.00	MS 0103618 SOCKET HEAD CAP SCREW	六角穴圓頭螺絲	M6XP1.0XL20	7.00	EA
6.00	MW 0183610 SPRING WASHER	彈簧墊圈	M6(HEAT TREATMENT)	7.00	EA
7.00	GX 000022143F COVER, TOP CURTAIN	上遮板-光柵用(GX1300#50-32T)	L1796XW162XH78	1.00	EA
8.00	MS 0103618 SOCKET HEAD CAP SCREW	六角穴圓頭螺絲	M6XP1.0XL20	4.00	EA
9.00	MW 0183610 SPRING WASHER	彈簧墊圈	M6(HEAT TREATMENT)	4.00	EA
10.01	GXA000022139F SUPPORT, UNDER CURTAIN	下遮板-光柵用(GX1300#50-24/32T)	L1751XW94XH77.3	1.00	EA
11.00	MS 0103618 SOCKET HEAD CAP SCREW	六角穴圓頭螺絲	M6XP1.0XL20	4.00	EA
12.00	MW 0183610 SPRING WASHER	彈簧墊圈	M6(HEAT TREATMENT)	4.00	EA

REV	DESCRIPTION	DATE	ECN
A		2011/8/5	D022-1



MODEL	GX1300#50,24T
PART NAME	ENCLOSURE ASSM(GX1300#50-24)RISER 260mm 電線槽蓋( GX1300#50-24 ) 立柱加高260mm
PART NUMBER	GX 001045323F
DATE	2011/8/5
PAGE	1 OF 1
SCALE	1:1
REV.	A

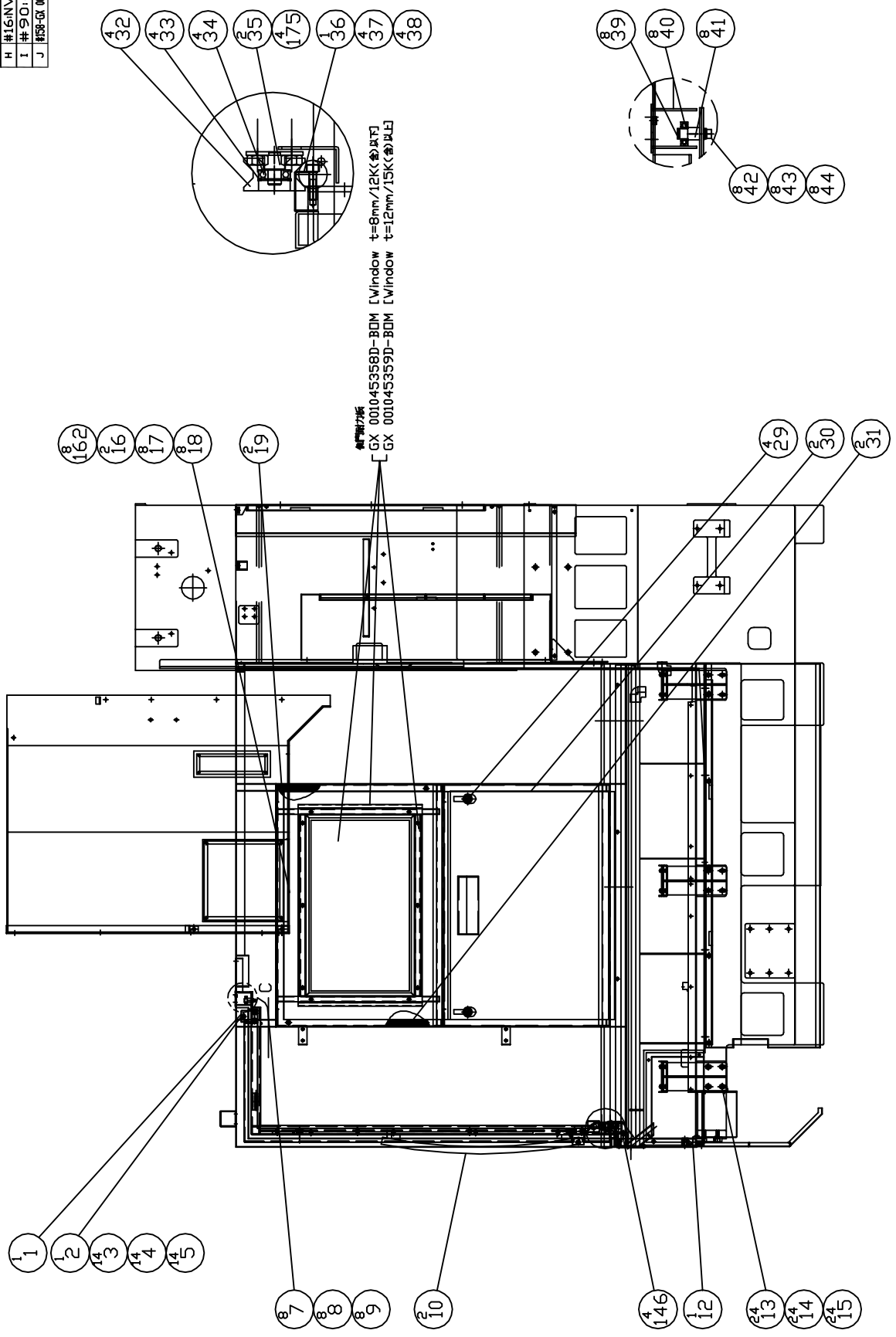
PRODUCT BOM MASTER AND SUB-ITEMS LIST  
\*\*\*\*\*

Master Item Part NO.: GX 001045323F

Description: ENCLOSURE ASSM(#50-24T ADD260)  
電線槽護蓋(#50-24T立柱加高260MM)

Item	Part NO.	Description	中文名稱	Specification	Qty	Unit
1.00	GX 000399103F	WIRE BOX, POWER CASE	電線盒加高260(GX1300#50/24T)	L161XW200XH440	1.00	EA
2.00	GXA000399083D	WIRE BOX, ENCLOSURE(+260MM)	電線盒(立柱加高260MM)	L736XW200XH75	1.00	EA
3.00	GX 000399085D	COVER, WIRE BOX(+260MM)	電線盒蓋(立柱加高260MM)	L674.5XW154XH2.3	1.00	EA
4.01	GX 000399104F	BRACKET(ADDITIONAL 260MM)	固定架(24T立柱加高260MM)	L210XW165XH410	1.00	EA
5.00	MW 0183510	SPRING WASHER	彈簧墊圈	M5(HEAT TREATMENT)	16.00	EA
6.00	MW 0103510	FLAT WASHER	平墊圈	M5	16.00	EA
7.00	MS 0103515	SOCKET HEAD CAP SCREW	六角穴圓頭螺絲	M5XP0.8XL10	16.00	EA

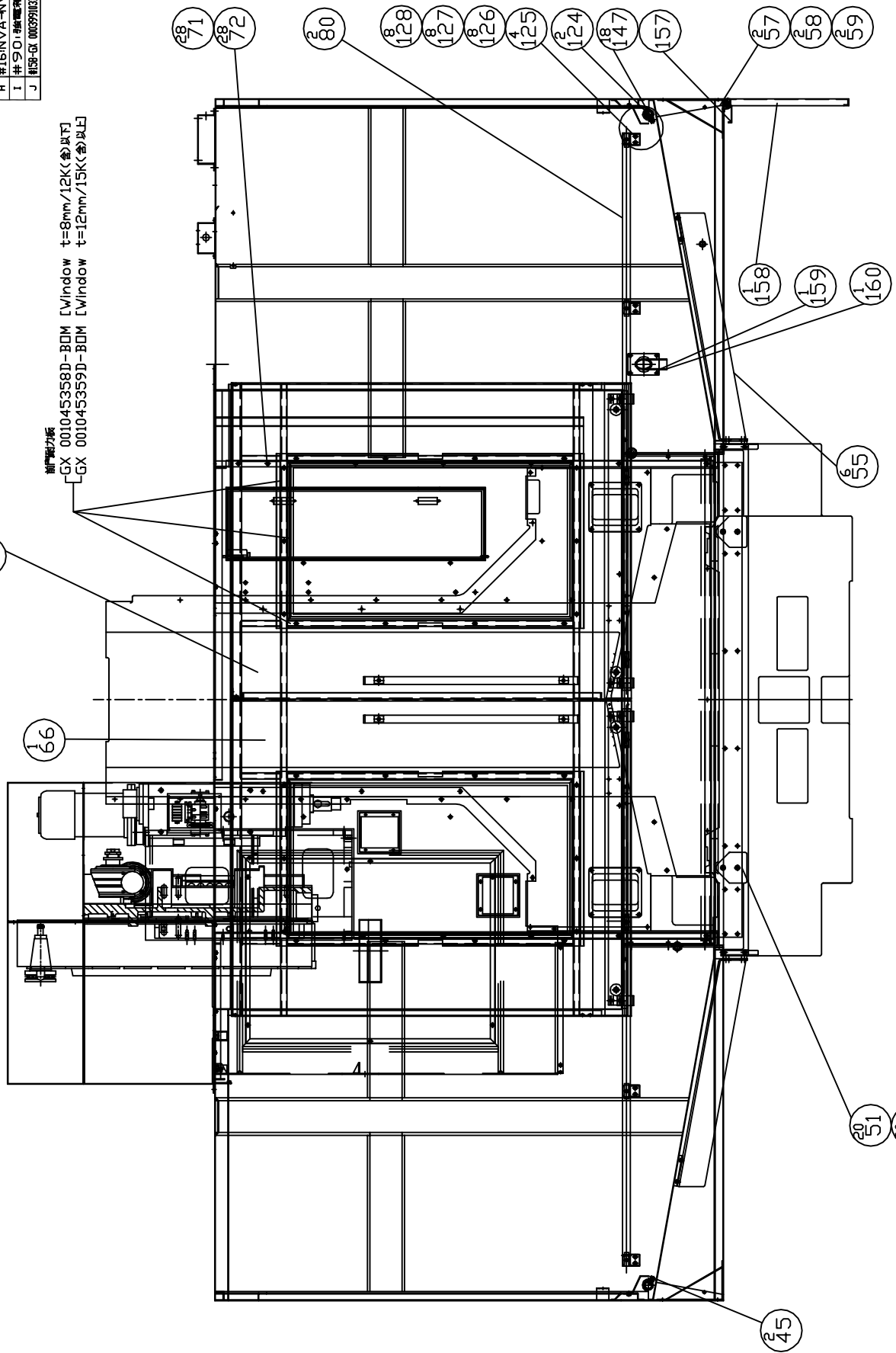
REV	DESCRIPTION	DATE	EDN
A	新开发	2008/11/13	4
B	## 7 S 新开发	2008/10/12	6
C	# 98 新开发	2008/06/13	6
D	# 157 新开发	2008/06/13	3
E	# 98-GX 00199101D-XG400199101	2008/02/13	6
F	新开发	2009/07/13	5
G	新开发	2009/07/13	5
H	# 161 NVA-NVB, 增加162	2009/02/02	8
I	# 90: 新增圆孔	2012/7/11	1003021
J	# 99-GX 00199101D-XG400199101	2013/3/20	1003320



MODEL: GX1600#50
PART NUMBER: GXA001045318G
ENCLDURE ASSM.(#50-24T)
外型钣金(#50-24T)可拆式刀倉
DATE: 2008/4/1
SCALE: 1:22
REV: I

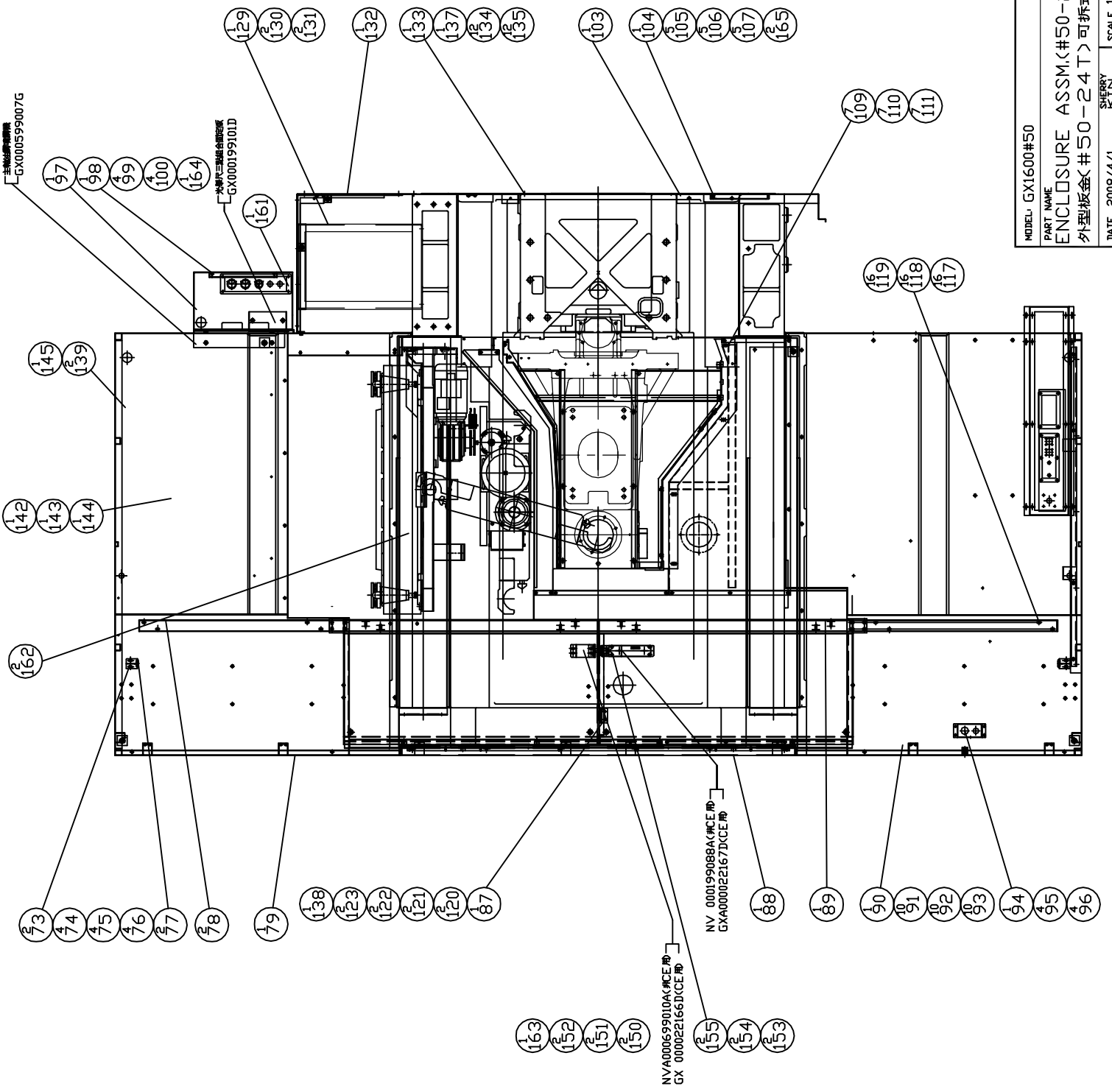
REV	DESCRIPTION	DATE	EDN
A	新仕様	2008/4/11	34
B	井字	2008/6/11	56
C	#98機 新機X 001991011	2008/6/19	323
D	新機#157,158,159,160	2008/8/23	1351
E	#98-GX 001991010-X(AM0199075)	2008/10/1	1556
F	新機#157,158,159,160	2008/10/1	1556
G	新機#157,158,159,160	2008/10/1	1556
H	#16-NVA-NVB, 新機#162	2008/12/1	2028
I	#16-NVA-NVB, 新機#162	2008/12/1	2028
J	#16-GX 001991010-X(AM0199075)	2008/12/1	2028

新機#157  
 -GX 001045358D-B0M [Window t=8mm/12K(含)以下]  
 -GX 001045359D-B0M [Window t=12mm/15K(含)以上]



MODEL: GX1600#50	PART NUMBER: GXA001045318G
PART NAME: ENCLOSURE ASSM.(#50-24T)	PAGE: 2 OF 3
外型板金 #50-24T 可拆式刀倉	REV: J
DATE: 2008/4/1	SCALE: 1:20

REV	DESCRIPTION	DATE	ECN
A	新机型	2008/11/13	4
B	## 7 S	2008/06/18	56
C	## 98 新增 #157, #158, #159, #160	2008/09/13	23
D	新增 #157, #158, #159, #160	2008/09/13	1
E	#158-EX 000199101D->GX000199101D	2008/11/21	56
F	## 98 新增 #157, #158, #159, #160	2009/02/19	55
G	## 98 新增 #157, #158, #159, #160	2009/07/19	2
H	#16: NVA-NVB, 新增 #162	2009/12/01	2028
I	#19: S1 新增 #162	2009/12/01	2028
J	#158-EX 000199101D->GX000199101D	2009/12/01	2028
K	#158-EX 000199101D->GX000199101D	2009/12/01	2028
L	#158-EX 000199101D->GX000199101D	2009/12/01	2028
M	#163 EX 00022166D->NV000199101D	2009/12/01	2028



MODEL: GX1600#50	PART NUMBER: GXA001045318G
ENCLOSURE ASSM.(#50-24T)	PAGE 3 OF 3
外型钣金(#50-24T)可拆式刀倉	REV: M
DATE: 2008/4/1	SCALE: 1:24

\*\*\*\*\*  
**PRODUCT BOM MASTER AND SUB-ITEMS LIST**  
 \*\*\*\*\*

Master Item Part NO.: GXA001045318G

 Description: ENCLOSURE ASSM(GX1600#50-24T)  
 外型板金(GX1600#50-24T)可拆式刀庫

Item Part NO.	Description	中文名稱	Specification	Qty	Unit
1.01	GXA000022121F PLATE,RIGHT SPLASH GUARD	右擋水板(#50-24T)	L1287XW437XH12	1.00	EA
2.01	GXA000022122F PLATE,LEFT SPLASH GUARD	左擋水板(#50-24T)	L1287XW437XH12	1.00	EA
3.00	MS 0103617 SOCKET HEAD CAP SCREW	六角穴圓頭螺絲	M6XP1.0XL16	14.00	EA
4.00	MW 0103610 FLAT WASHER	平墊圈	M6(D6*D19*H2)	14.00	EA
5.00	MW 0183610 SPRING WASHER	彈簧墊圈	M6(HEAT TREATMENT)	14.00	EA
7.00	MS 0103617 SOCKET HEAD CAP SCREW	六角穴圓頭螺絲	M6XP1.0XL16	8.00	EA
8.00	MW 0103610 FLAT WASHER	平墊圈	M6(D6*D19*H2)	8.00	EA
9.00	MW 0183610 SPRING WASHER	彈簧墊圈	M6(HEAT TREATMENT)	8.00	EA
10.00	NV 00103590107 SST HANDLE, ARC TYPE	不鏽鋼弧形把手(P=600)	不鏽鋼弧形把手(P=600)MS-737-4-700-600	2.00	EA
12.00	GX 000199078D PLATE,MIDDLE GUARD	中外型板金擋板	L1579XW39.1XH34	1.00	EA
13.00	MS 0104019 SOCKET HEAD CAP SCREW	六角穴圓頭螺絲	M10XP1.5XL25	24.00	EA
14.00	MW 0184010 SPRING WASHER	彈簧墊圈	M10(HEAT TREATMENT)	24.00	EA
15.00	MW 0104010 FLAT WASHER	平墊圈	M10	24.00	EA
16.03	NVB000022225A SIDE DOOR, UPPER	側門(上)	L850XW602XH24.3	2.00	EA
17.00	MS 0103617 SOCKET HEAD CAP SCREW	六角穴圓頭螺絲	M6XP1.0XL16	8.00	EA
18.00	MW 0183610 SPRING WASHER	彈簧墊圈	M6(HEAT TREATMENT)	8.00	EA
19.00	NV 00106420103 RUBBER SEAL, SIDE DOOR	發泡橡膠	W20X3T(1捲=15米)	2.00	MT
29.00	NV 00103590106 COMPRESSION EXTENSIBLE LATCH	迫緊式伸縮門鎖	MS816-1	4.00	ST
30.00	NV 000022226A SIDE DOOR, LOWER	側門(下)	L850XW602XH24.3	2.00	EA
31.00	NV 00106420101 RUBBER SEAL, SIDE DOOR	發泡橡膠	W20X2T	2.00	MT

\*\*\*\*\*  
**PRODUCT BOM MASTER AND SUB-ITEMS LIST**  
 \*\*\*\*\*

Item	Part NO.	Description	中文名稱	Specification	Qty	Unit
32.00	NV 000942400A	ROLLER, DOOR	滑輪	D54XL29	4.00	EA
33.00	NV 00082310101	RING, C-RETAINING	C型內扣	R-28	4.00	EA
34.00	NV 00002660104	BALL BEARING	單列深槽滾珠軸承	6001ZZ	4.00	EA
35.00	NV 000378000E	SEAT, DOOR ROLLER	輪座板	L952XW50XH28.3	2.00	EA
36.00	GX 000022103E	FRONT PLATE,ENCLOURE	前護板	L2004XW35.4XH20	1.00	EA
37.00	MS 0103314	SOCKET HD. CAP SCREW	六角穴圓頭螺絲	M3XP0.5XL8	4.00	EA
38.00	MW 0183310	SPRING WASHER	彈簧墊圈	M3(HEAT TREATMENT)	4.00	EA
39.00	NV 00082310201	RING, C-RETAINING	C型外扣	S-12	8.00	EA
40.00	NV 00002660104	BALL BEARING	單列深槽滾珠軸承	6001ZZ	8.00	EA
41.00	NV 000403801D	SHAFT, DOOR ROLLER	輪軸	D14.3XL28.5	8.00	EA
42.00	MS 0103617	SOCKET HEAD CAP SCREW	六角穴圓頭螺絲	M6XP1.0XL16	8.00	EA
43.00	MW 0183610	SPRING WASHER	彈簧墊圈	M6(HEAT TREATMENT)	8.00	EA
44.00	MW 0103610	FLAT WASHER	平墊圈	M6(D6*D19*H2)	8.00	EA
45.01	GX 000199053D	COVER	蓋	L1693XW56.6XH141.5	2.00	EA
51.00	MS 0103617	SOCKET HEAD CAP SCREW	六角穴圓頭螺絲	M6XP1.0XL16	20.00	EA
52.00	MW 0103610	FLAT WASHER	平墊圈	M6(D6*D19*H2)	20.00	EA
53.00	MW 0183610	SPRING WASHER	彈簧墊圈	M6(HEAT TREATMENT)	20.00	EA
55.01	GX 000199052E	SUPPORT, GUARD	外型板金支撐架	L754XW100XH225	6.00	EA
57.00	MS 0103617	SOCKET HEAD CAP SCREW	六角穴圓頭螺絲	M6XP1.0XL16	2.00	EA
58.00	MW 0103610	FLAT WASHER	平墊圈	M6(D6*D19*H2)	2.00	EA
59.00	MW 0183610	SPRING WASHER	彈簧墊圈	M6(HEAT TREATMENT)	2.00	EA
66.02	GXA000378003G	DOOR, GUARD FRONT LEFT	左活動門(GX1600#50-24T)	L1050XW1297XH503	1.00	EA
67.02	GXA000378002G	DOOR, GUARD FRONT RIGHT	右活動門(GX1600#50-24T)	L1025XW1297XH503	1.00	EA



\*\*\*\*\*  
**PRODUCT BOM MASTER AND SUB-ITEMS LIST**  
 \*\*\*\*\*

Item	Part NO.	Description	中文名稱	Specification	Qty	Unit
71.00	MS 0103617	SOCKET HEAD CAP SCREW	六角穴圓頭螺絲	M6XP1.0XL16	28.00	EA
72.00	MW 0183610	SPRING WASHER	彈簧墊圈	M6(HEAT TREATMENT)	28.00	EA
73.01	NVA000599084A	STOPER, DOOR	止動塊	L71XW40XH35	2.00	EA
74.00	MS 0103516	SOCKET HEAD CAP SCREW	六角穴圓頭螺絲	M5XP0.8XL12	4.00	EA
75.00	MW 0183510	SPRING WASHER	彈簧墊圈	M5(HEAT TREATMENT)	4.00	EA
76.00	MW 0103510	FLAT WASHER	平墊圈	M5	4.00	EA
77.00	NV 001033102A	PLUG, SPLASH GUARD	孔塞	D30.5XL9.5	2.00	EA
78.00	GX 000022104E	DOOR GUIDE,UPPER	上滑道	L848XW49XH46.6	2.00	EA
79.08	GXB00022124G	GUARD,LEFT END	左外型板金(GX1600#50-24T)	L1703XW1652XH1194	1.00	EA
80.00	GX 000022100E	ROD,FRONT DOOR GUIDE	前門滑道	D1"XL1807.5	2.00	EA
87.00	GX 000199057D	SEAT,DOOR SWITCH	開關座	L50XW25XH20	1.00	EA
88.00	GX 000022108D	MIDDLE GUARD	中外型板金	L1593XW52XH330	1.00	EA
89.01	GXA00022126G	DOOR GUIDE,UPPER	上滑道(GX1600#50-24T)	L2166XW171.6XH56.6	1.00	EA
90.10	GXB00022123G	GUARD,RIGHT END	右外型板金(GX1600#50-24T)	L1703XW1652XH1194	1.00	EA
91.00	MS 0103617	SOCKET HEAD CAP SCREW	六角穴圓頭螺絲	M6XP1.0XL16	10.00	EA
92.00	MW 0103610	FLAT WASHER	平墊圈	M6(D6*D19*H2)	10.00	EA
93.00	MW 0183610	SPRING WASHER	彈簧墊圈	M6(HEAT TREATMENT)	10.00	EA
94.00	GX 000199060D	COVER	護蓋	L130XW55XH55	1.00	EA
95.00	MS 0103514	SOCKET HEAD CAP SCREW	六角穴圓頭螺絲	M5XP0.8XL8	4.00	EA
96.00	MW 0183510	SPRING WASHER	彈簧墊圈	M5(HEAT TREATMENT)	4.00	EA
97.06	GXA000199069D	BOX(PNEUMATIC PARTS)	箱(氣壓組件)	L880XW400XH152.3	1.00	EA
98.02	GXA000199075D	ROTARY DOOR	門鈹	L762XW266XH30	1.00	EA
99.00	MS 0103617	SOCKET HEAD CAP SCREW	六角穴圓頭螺絲	M6XP1.0XL16	4.00	EA

\*\*\*\*\*  
**PRODUCT BOM MASTER AND SUB-ITEMS LIST**  
 \*\*\*\*\*

Item	Part NO.	Description	中文名稱	Specification	Qty	Unit
100.00	MW 0183610	SPRING WASHER	彈簧墊圈	M6(HEAT TREATMENT)	4.00	EA
103.01	GX 000199056G	SIDE COVER,COLUMN	立柱側蓋(GX1600#50-24T)	L1198XW635.5XH111.3	1.00	EA
104.00	GX 000199063D	ROTARY DOOR	旋轉門	L834XW228XH19	1.00	EA
105.00	MS 0103617	SOCKET HEAD CAP SCREW	六角穴圓頭螺絲	M6XP1.0XL16	5.00	EA
106.00	MW 0103610	FLAT WASHER	平墊圈	M6(D6*D19*H2)	5.00	EA
107.00	MW 0183610	SPRING WASHER	彈簧墊圈	M6(HEAT TREATMENT)	5.00	EA
109.00	MW 0183510	SPRING WASHER	彈簧墊圈	M5(HEAT TREATMENT)	7.00	EA
110.00	MW 0103510	FLAT WASHER	平墊圈	M5	7.00	EA
111.00	MS 0103515	SOCKET HEAD CAP SCREW	六角穴圓頭螺絲	M5XP0.8XL10	7.00	EA
117.00	MS 0103515	SOCKET HEAD CAP SCREW	六角穴圓頭螺絲	M5XP0.8XL10	16.00	EA
118.00	MW 0103510	FLAT WASHER	平墊圈	M5	16.00	EA
119.00	MW 0183510	SPRING WASHER	彈簧墊圈	M5(HEAT TREATMENT)	16.00	EA
120.00	MS 0103416	SOCKET HEAD CAP SCREW	六角穴圓頭螺絲	M4XP0.7XL12	2.00	EA
121.00	MW 0103410	FLAT WASHER	平墊圈	M4X10DX1T	2.00	EA
122.00	MW 0183410	SPRING WASHER	彈簧墊圈	M4(HEAT TREATMENT)	2.00	EA
123.00	MN 0113410	HEXAGON NUT	六角螺帽	M4XP0.7	2.00	EA
124.02	GXB001010900D	NOZZLE	切削水接頭	L1450XD27.2	2.00	EA
125.01	NV 000022137D	BRACKET	固定塊	L55XW38XH5	4.00	EA
126.00	MW 0103610	FLAT WASHER	平墊圈	M6(D6*D19*H2)	8.00	EA
127.00	MW 0183610	SPRING WASHER	彈簧墊圈	M6(HEAT TREATMENT)	8.00	EA
128.00	MS 0103617	SOCKET HEAD CAP SCREW	六角穴圓頭螺絲	M6XP1.0XL16	8.00	EA
129.00	GX 000299090D	SUPPORTER, REAR COVER	背側板金支撐架	L509W344H70	1.00	EA
130.00	MS 0103820	SOCKET HEAD CAP SCREW	六角穴圓頭螺絲	M8XP1.25XL30	2.00	EA

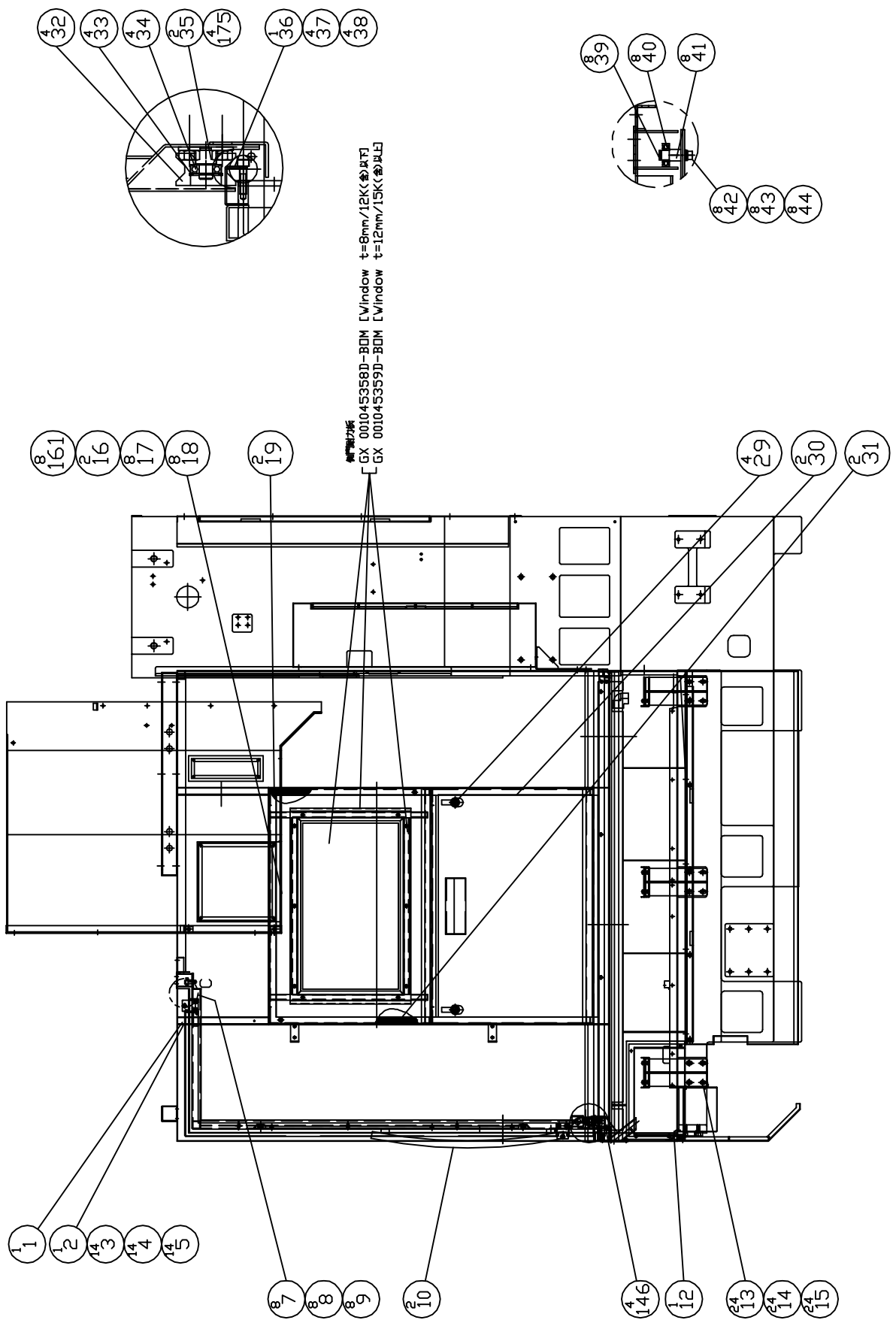
## PRODUCT BOM MASTER AND SUB-ITEMS LIST

Item	Part NO.	Description	中文名稱	Specification	Qty	Unit
131.00	MW 0183810	SPRING WASHER	彈簧墊圈	M8(HEAT TREATMENT)	2.00	EA
132.01	GX 000299091D	REAR COVER(2)	背側蓋板(2)	L557.3XW486.5XH500	1.00	EA
133.03	GX 000399099F	REAR COVER(1)	背側蓋板(1)(#50-24T)	L1130XW557.3XH931	1.00	EA
134.00	MS 0103617	SOCKET HEAD CAP SCREW	六角穴圓頭螺絲	M6XP1.0XL16	12.00	EA
135.00	MW 0183610	SPRING WASHER	彈簧墊圈	M6(HEAT TREATMENT)	12.00	EA
137.00	GX 000499001F	COVER(REAR COVER)	蓋板(背側蓋板)#50-24T	L808XW598XH30	1.00	EA
138.00	GX 00103590101	LATCH, COPPER, TWIN BALL	銅雙珠門擋[允隙]	[TAI SAM]TK-60	1.00	EA
139.00	GX 000299005D	PLATE	護板	L1623XW89.8XT2.3	2.00	EA
142.00	GX 000299001E	PLATE	護板(右後)	L1153.5XW762XT1.2	1.00	EA
143.00	GX 000299002E	PLATE	護板(右前)	L1153.5XW926.4XT1.2	1.00	EA
144.00	GX 000299003E	PLATE	護板(左後)	L1153.5XW762XT1.2	1.00	EA
145.00	GX 000299004E	PLATE	護板(左前)	L1153.5XW926.4XT1.2	1.00	EA
146.01	NVA000899025A	PLATE; FRONT DOOR	前門護板	L53XW32XH32	4.00	EA
147.00	GX 001010901D	NOZZLE, COOLANT	切削水噴嘴(銅)	PT1/4"XD13.5XL25.5	18.00	EA
150.00	MS 0103415	SOCKET HEAD CAP SCREW	六角穴圓頭螺絲	M4XP0.7XL10	2.00	EA
151.00	MW 0183410	SPRING WASHER	彈簧墊圈	M4(HEAT TREATMENT)	2.00	EA
152.00	MW 0103410	FLAT WASHER	平墊圈	M4X10DX1T	2.00	EA
153.00	MS 0103414	SOCKET HEAD CAP SCREW	六角穴圓頭螺絲	M4XP0.7XL8	2.00	EA
154.00	MW 0183410	SPRING WASHER	彈簧墊圈	M4(HEAT TREATMENT)	2.00	EA
155.00	MW 0103410	FLAT WASHER	平墊圈	M4X10DX1T	2.00	EA
157.00	GX 000199190D	SIDE COVER,PLATE(FRON)	側蓋固定板(前)	L1286XW55XH27	1.00	EA
158.01	GXA000399103D	COVER PLATE, GUARD RIGHT	右側蓋板(前)	H1353XW405.3XH22	1.00	EA
159.00	GX 000399101D	PLATE;WASH DOWN	噴槍護板	H100X70XT2.0	1.00	EA

PRODUCT BOM MASTER AND SUB-ITEMS LIST  
\*\*\*\*\*

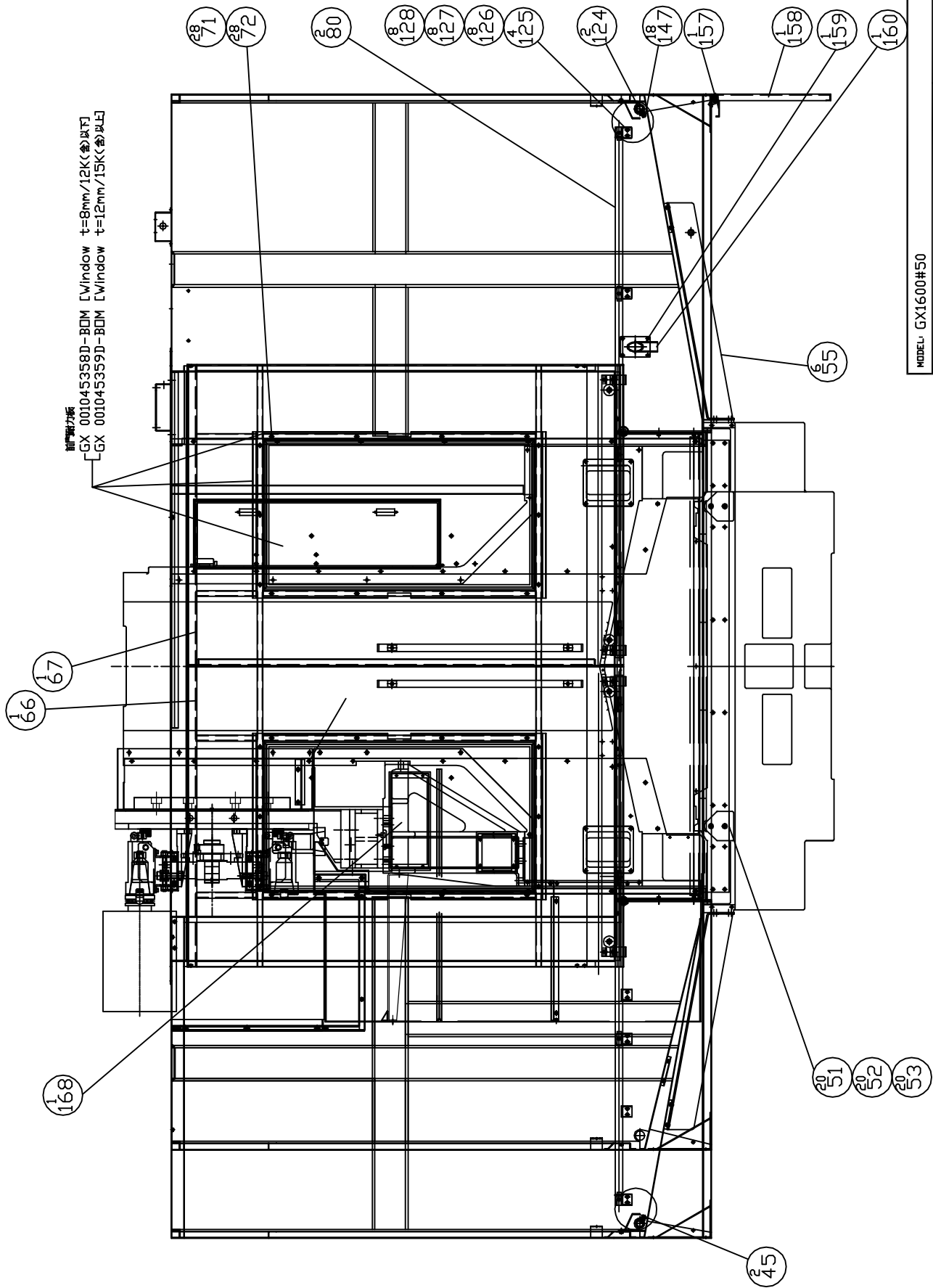
Item	Part NO.	Description	中文名稱	Specification	Qty	Unit
160.00	GX 000399102D	BRACKET,WASH DOWN	噴槍固定座	H100XW70XH65.8	1.00	EA
161.00	GX 000499087D	PLATE,WIRE OUTLOOK	出線板	L270XW80XH2.3	1.00	EA
162.00	GX 000599006D	PLATE	護板	L1497XW193XH90.1	2.00	EA
163.00	GH 000022163B	PLATE	插銷固定板	L50XW10XH2.3	1.00	EA
164.00	NV 00103590109	COMPRESSION EXTENSIBLE LATCH	迫緊式伸縮門鎖	MS816-3	1.00	ST
165.00	NV 00103590110	LATCH	平面型迫緊門扣[允際]	[TAI-SAN]MS-732-2A	2.00	EA
175.00	NV 000403802A	SHAFT, DOOR ROLLER	輪軸	D18XL27.5	4.00	EA

REV	DESCRIPTION	DATE	ECK
A	新設計	2009/1/16	1707
B	変更内容, #4,9, #5,4	2009/9/29	1992
C	#16,NVA-NVB, #機#16,1	2009/12/01	2028
D	#15P-GX 00039103P->GX00039103I	2013/3/21	100332C



MODEL	GX1600#50
PART NAME	ENCLOSURE ASSM.
PART NUMBER	GX 001045319G
DATE	2009/1/16
SCALE	1:22
REV.	D
PAGE	1 OF 3

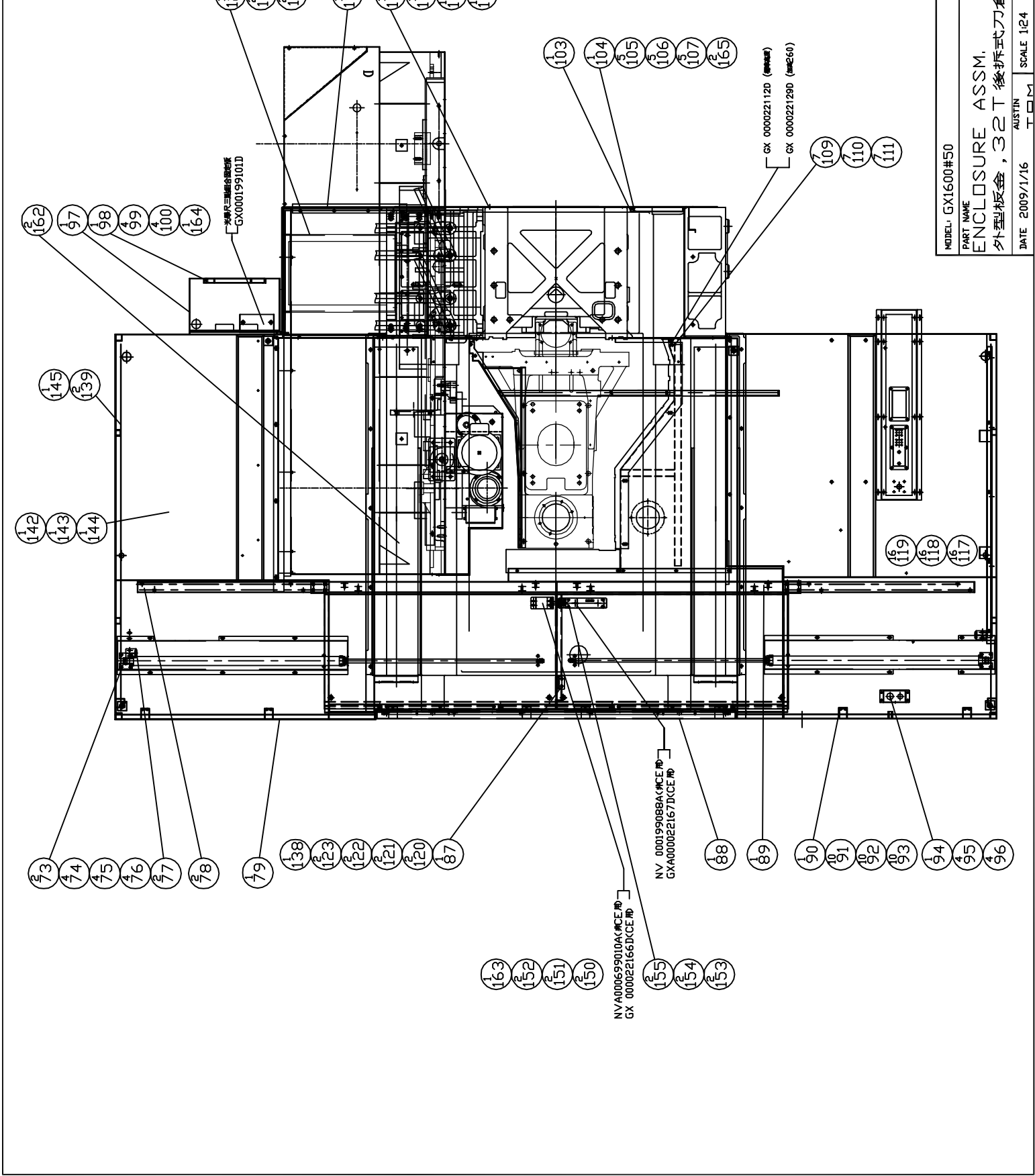
REV	DESCRIPTION	DATE	EDN
A	新設計	2009/1/16	1707
B	変更物 井 4.9 井 5.4	2009/02/19	2
C	井 16.NVA-NYB, 欄 # 16.1	2009/02/01	2028
D	#16-GX 00039103D->GX00039103D	2013/2/21	100332C



前ガラス板  
 -GX 001045358D-BDM [Window t=8mm/12K(含)以下]  
 -GX 001045359D-BDM [Window t=12mm/15K(含)以上]

MODEL	GX1600#50
PART NAME	ENCLOSURE ASSM.
PART NUMBER	GX 001045319G
DATE	2009/1/16
SCALE	1:20
REV.	D
PAGE	2 OF 3

REV	DESCRIPTION	DATE	ECN
A	新設計	2009/1/16	1707
B	変更内容 # 4-9 # 5-4	2009/9/29	1992
C	#116NVA-NVB, 数量#161	2009/12/01	2028
D	#136-GX 000022112D->GX000199101D	2013/2/21	1003320
E	材料変更: 鋼管部材 鋼管部材 鋼管部材	2013/7/22	1003442
F	鋼管部材: 鋼管部材 鋼管部材 鋼管部材	2013/7/22	1003442
G	#163 鋼管部材: 鋼管部材 鋼管部材 鋼管部材	2013/7/22	1003442



MODEL: GX1600#50	PART NUMBER: GX 001045319G
ENCLOSURE ASSM.	PAGE 3 OF 3
外型板金, 32T 後拆式刀倉	REV. G
DATE 2009/1/16	AUSTIN
SCALE 1:24	

\*\*\*\*\*  
**PRODUCT BOM MASTER AND SUB-ITEMS LIST**  
 \*\*\*\*\*

Master Item Part NO.: GX 001045319G

Description: ENCLOSURE ASSM(GX1600#50-32T)

外型板金(GX1600#50-32T)

Item Part NO.	Description	中文名稱	Specification	Qty	Unit
1.00 GX 000022134F	PLATE,LEFT SPLASH GUARD	左擋水板(#50-32T)	L1477XW497XH57.5	1.00	EA
2.00 GX 000022133F	PLATE,RIGHT SPLASH GUARD	右擋水板(#50-32T)	L1477XW497XH57.5	1.00	EA
3.00 MS 0103617	SOCKET HEAD CAP SCREW	六角穴圓頭螺絲	M6XP1.0XL16	14.00	EA
4.00 MW 0103610	FLAT WASHER	平墊圈	M6(D6*D19*H2)	14.00	EA
5.00 MW 0183610	SPRING WASHER	彈簧墊圈	M6(HEAT TREATMENT)	14.00	EA
7.00 MS 0103617	SOCKET HEAD CAP SCREW	六角穴圓頭螺絲	M6XP1.0XL16	8.00	EA
8.00 MW 0103610	FLAT WASHER	平墊圈	M6(D6*D19*H2)	8.00	EA
9.00 MW 0183610	SPRING WASHER	彈簧墊圈	M6(HEAT TREATMENT)	8.00	EA
10.00 NV 00103590107	SST HANDLE, ARC TYPE	不鏽鋼弧形把手(P=600)	不鏽鋼弧形把手(P=600)MS-737-4-700-600	2.00	EA
12.00 GX 000199078D	PLATE,MIDDLE GUARD	中外型板金擋板	L1579XW39.1XH34	1.00	EA
13.00 MS 0104019	SOCKET HEAD CAP SCREW	六角穴圓頭螺絲	M10XP1.5XL25	24.00	EA
14.00 MW 0184010	SPRING WASHER	彈簧墊圈	M10(HEAT TREATMENT)	24.00	EA
15.00 MW 0104010	FLAT WASHER	平墊圈	M10	24.00	EA
16.02 NVB000022225A	SIDE DOOR, UPPER	側門(上)	L850XW602XH24.3	2.00	EA
17.00 MS 0103617	SOCKET HEAD CAP SCREW	六角穴圓頭螺絲	M6XP1.0XL16	8.00	EA
18.00 MW 0183610	SPRING WASHER	彈簧墊圈	M6(HEAT TREATMENT)	8.00	EA
19.00 NV 00106420103	RUBBER SEAL, SIDE DOOR	發泡橡膠	W20X3T(1捲=15米)	2.00	MT
29.00 NV 00103590106	COMPRESSION EXTENSIBLE LATCH	迫緊式伸縮門鎖	MS816-1	4.00	ST
30.01 NV 000022226A	SIDE DOOR, LOWER	側門(下)	L850XW602XH24.3	2.00	EA
31.00 NV 00106420101	RUBBER SEAL, SIDE DOOR	發泡橡膠	W20X2T	2.00	MT



\*\*\*\*\*  
**PRODUCT BOM MASTER AND SUB-ITEMS LIST**  
 \*\*\*\*\*

Item	Part NO.	Description	中文名稱	Specification	Qty	Unit
32.00	NV 000942400A	ROLLER, DOOR	滑輪	D54XL29	4.00	EA
33.00	NV 00082310101	RING, C-RETAINING	C型內扣	R-28	4.00	EA
34.00	NV 00002660104	BALL BEARING	單列深槽滾珠軸承	6001ZZ	4.00	EA
35.00	NV 000378000E	SEAT, DOOR ROLLER	輪座板	L952XW50XH28.3	2.00	EA
36.00	GX 000022103E	FRONT PLATE,ENCLOURE	前護板	L2004XW35.4XH20	1.00	EA
37.00	MS 0103314	SOCKET HD. CAP SCREW	六角穴圓頭螺絲	M3XP0.5XL8	4.00	EA
38.00	MW 0183310	SPRING WASHER	彈簧墊圈	M3(HEAT TREATMENT)	4.00	EA
39.00	NV 00082310201	RING, C-RETAINING	C型外扣	S-12	8.00	EA
40.00	NV 00002660104	BALL BEARING	單列深槽滾珠軸承	6001ZZ	8.00	EA
41.00	NV 000403801D	SHAFT, DOOR ROLLER	輪軸	D14.3XL28.5	8.00	EA
42.00	MS 0103617	SOCKET HEAD CAP SCREW	六角穴圓頭螺絲	M6XP1.0XL16	8.00	EA
43.00	MW 0183610	SPRING WASHER	彈簧墊圈	M6(HEAT TREATMENT)	8.00	EA
44.00	MW 0103610	FLAT WASHER	平墊圈	M6(D6*D19*H2)	8.00	EA
45.01	GX 000199053D	COVER	蓋	L1693XW56.6XH141.5	2.00	EA
51.00	MS 0103617	SOCKET HEAD CAP SCREW	六角穴圓頭螺絲	M6XP1.0XL16	20.00	EA
52.00	MW 0103610	FLAT WASHER	平墊圈	M6(D6*D19*H2)	20.00	EA
53.00	MW 0183610	SPRING WASHER	彈簧墊圈	M6(HEAT TREATMENT)	20.00	EA
55.01	GX 000199052E	SUPPORT, GUARD	外型板金支撐架	L754XW100XH225	6.00	EA
66.01	GXA000378001G	DOOR, GUARD FRONT LEFT	左活動門(GX1600#50-32T)	L1050XW1487XH563	1.00	EA
67.01	GXA000378000G	DOOR, GUARD FRONT RIGHT	右活動門(GX1600#50-32T)	L1025XW1487XH563	1.00	EA
71.00	MS 0103617	SOCKET HEAD CAP SCREW	六角穴圓頭螺絲	M6XP1.0XL16	28.00	EA
72.00	MW 0183610	SPRING WASHER	彈簧墊圈	M6(HEAT TREATMENT)	28.00	EA
73.01	NVA000599084A	STOPER, DOOR	止動塊	L71XW40XH35	2.00	EA

\*\*\*\*\*  
**PRODUCT BOM MASTER AND SUB-ITEMS LIST**  
 \*\*\*\*\*

Item	Part NO.	Description	中文名稱	Specification	Qty	Unit
74.00	MS 0103516	SOCKET HEAD CAP SCREW	六角穴圓頭螺絲	M5XP0.8XL12	4.00	EA
75.00	MW 0183510	SPRING WASHER	彈簧墊圈	M5(HEAT TREATMENT)	4.00	EA
76.00	MW 0103510	FLAT WASHER	平墊圈	M5	4.00	EA
77.00	NV 001033102A	PLUG, SPLASH GUARD	孔塞	D30.5XL9.5	2.00	EA
78.00	GX 000022104E	DOOR GUIDE,UPPER	上滑道	L848XW49XH46.6	2.00	EA
79.05	GXC000022107G	GUARD,LEFT END	左外型板金(GX1600#50-32T)	L1703XW1194XH1842	1.00	EA
80.00	GX 000022100E	ROD,FRONT DOOR GUIDE	前門滑道	D1"XL1807.5	2.00	EA
87.00	GX 000199057D	SEAT,DOOR SWITCH	開關座	L50XW25XH20	1.00	EA
88.01	GX 000022108D	MIDDLE GUARD	中外型板金	L1593XW52XH330	1.00	EA
89.00	GXA000022105G	DOOR GUIDE,UPPER	上滑道(GX1600#50-32T)	L2166XW53.6XH111.6	1.00	EA
90.07	GXC000022106G	GUARD,RIGHT END	右外型板金(GX1600#50-32T)	L1703XW1194XH1842	1.00	EA
91.00	MS 0103617	SOCKET HEAD CAP SCREW	六角穴圓頭螺絲	M6XP1.0XL16	10.00	EA
92.00	MW 0103610	FLAT WASHER	平墊圈	M6(D6*D19*H2)	10.00	EA
93.00	MW 0183610	SPRING WASHER	彈簧墊圈	M6(HEAT TREATMENT)	10.00	EA
94.00	GX 000199060D	COVER	護蓋	L130XW55XH55	1.00	EA
95.00	MS 0103514	SOCKET HEAD CAP SCREW	六角穴圓頭螺絲	M5XP0.8XL8	4.00	EA
96.00	MW 0183510	SPRING WASHER	彈簧墊圈	M5(HEAT TREATMENT)	4.00	EA
97.09	GXA000199069D	BOX(PNEUMATIC PARTS)	箱(氣壓組件)	L880XW400XH152.3	1.00	EA
98.02	GXA000199075D	ROTARY DOOR	門鈹	L762XW266XH30	1.00	EA
99.00	MS 0103617	SOCKET HEAD CAP SCREW	六角穴圓頭螺絲	M6XP1.0XL16	4.00	EA
100.00	MW 0183610	SPRING WASHER	彈簧墊圈	M6(HEAT TREATMENT)	4.00	EA
103.02	GXA000199056D	SIDE COVER,COLUMN	立柱側蓋	L1232XW336XH111.3	1.00	EA
104.00	GX 000199063D	ROTARY DOOR	旋轉門	L834XW228XH19	1.00	EA

\*\*\*\*\*  
**PRODUCT BOM MASTER AND SUB-ITEMS LIST**  
 \*\*\*\*\*

Item	Part NO.	Description	中文名稱	Specification	Qty	Unit
105.00	MS 0103617	SOCKET HEAD CAP SCREW	六角穴圓頭螺絲	M6XP1.0XL16	5.00	EA
106.00	MW 0103610	FLAT WASHER	平墊圈	M6(D6*D19*H2)	5.00	EA
107.00	MW 0183610	SPRING WASHER	彈簧墊圈	M6(HEAT TREATMENT)	5.00	EA
109.00	MW 0183510	SPRING WASHER	彈簧墊圈	M5(HEAT TREATMENT)	7.00	EA
110.00	MW 0103510	FLAT WASHER	平墊圈	M5	7.00	EA
111.00	MS 0103515	SOCKET HEAD CAP SCREW	六角穴圓頭螺絲	M5XP0.8XL10	7.00	EA
117.00	MS 0103515	SOCKET HEAD CAP SCREW	六角穴圓頭螺絲	M5XP0.8XL10	16.00	EA
118.00	MW 0103510	FLAT WASHER	平墊圈	M5	16.00	EA
119.00	MW 0183510	SPRING WASHER	彈簧墊圈	M5(HEAT TREATMENT)	16.00	EA
120.00	MS 0103416	SOCKET HEAD CAP SCREW	六角穴圓頭螺絲	M4XP0.7XL12	2.00	EA
121.00	MW 0103410	FLAT WASHER	平墊圈	M4X10DX1T	2.00	EA
122.00	MW 0183410	SPRING WASHER	彈簧墊圈	M4(HEAT TREATMENT)	2.00	EA
123.00	MN 0113410	HEXAGON NUT	六角螺帽	M4XP0.7	2.00	EA
124.03	GXB001010900D	NOZZLE	切削水接頭	L1450XD27.2	2.00	EA
125.01	NV 000022137D	BRACKET	固定塊	L55XW38XH5	4.00	EA
126.00	MW 0103610	FLAT WASHER	平墊圈	M6(D6*D19*H2)	8.00	EA
127.00	MW 0183610	SPRING WASHER	彈簧墊圈	M6(HEAT TREATMENT)	8.00	EA
128.00	MS 0103617	SOCKET HEAD CAP SCREW	六角穴圓頭螺絲	M6XP1.0XL16	8.00	EA
129.00	GX 000299090D	SUPPORTER, REAR COVER	背側板金支撐架	L509W344H70	1.00	EA
130.00	MS 0103820	SOCKET HEAD CAP SCREW	六角穴圓頭螺絲	M8XP1.25XL30	2.00	EA
131.00	MW 0183810	SPRING WASHER	彈簧墊圈	M8(HEAT TREATMENT)	2.00	EA
132.01	GX 000299091D	REAR COVER(2)	背側蓋板(2)	L557.3XW486.5XH500	1.00	EA
133.03	GXB000399054F	SIDE COVER,COLUMN	立柱背側蓋板	L830XW931XH557.3	1.00	EA

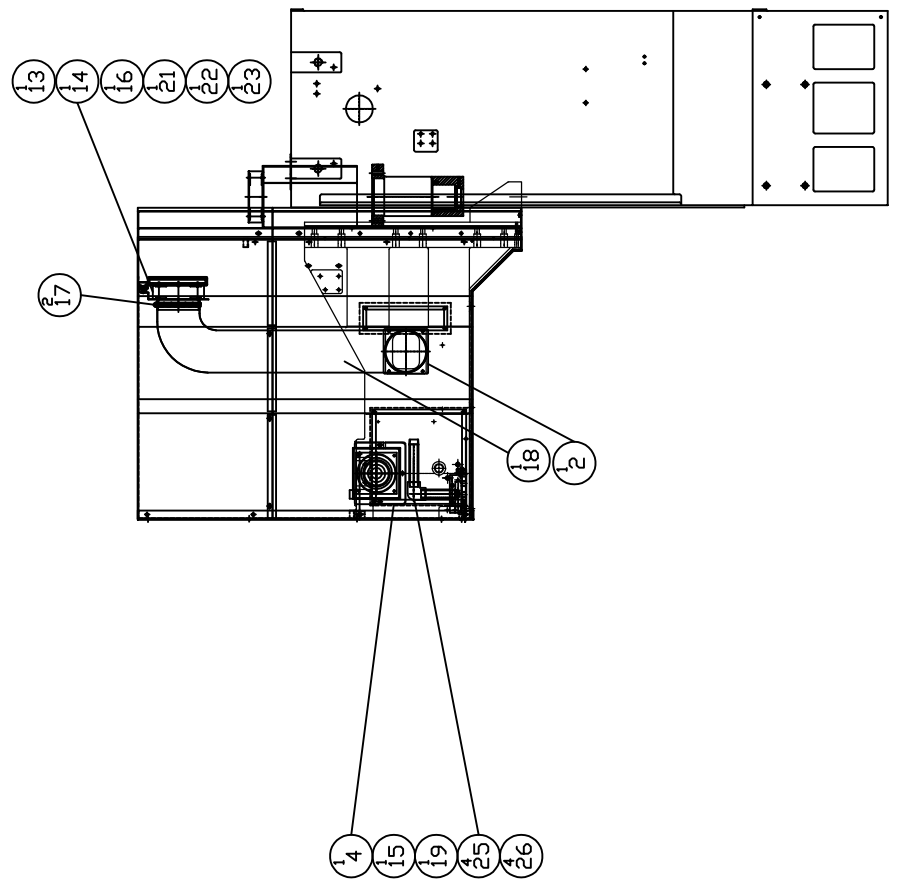
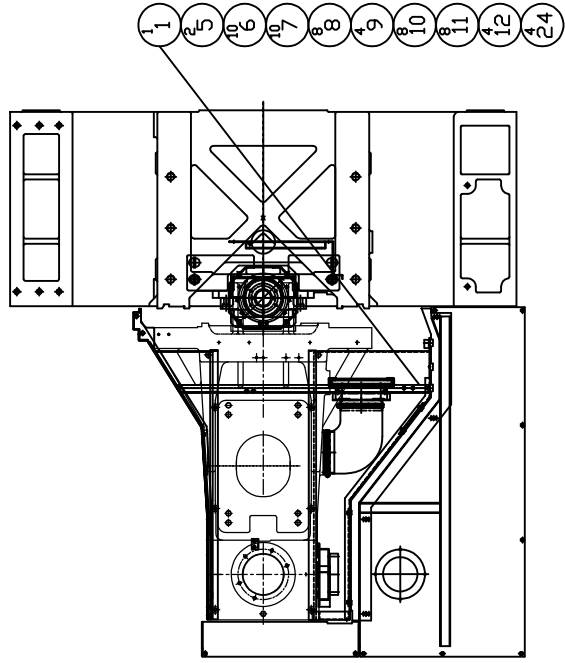
\*\*\*\*\*  
**PRODUCT BOM MASTER AND SUB-ITEMS LIST**  
 \*\*\*\*\*

Item	Part NO.	Description	中文名稱	Specification	Qty	Unit
134.00	MS 0103617	SOCKET HEAD CAP SCREW	六角圓頭螺絲	M6XP1.0XL16	12.00	EA
135.00	MW 0183610	SPRING WASHER	彈簧墊圈	M6(HEAT TREATMENT)	12.00	EA
137.00	GX 000399006D	COVER(REAR COVER)	蓋板(背側蓋板)	L998XW598XH2.3	1.00	EA
138.00	GX 00103590101	LATCH, COPPER, TWIN BALL	銅雙珠門擋[允隙]	[TAI SAM]TK-60	1.00	EA
139.00	GX 000299005D	PLATE	護板	L1623XW89.8XT2.3	2.00	EA
142.00	GX 000299001E	PLATE	護板(右後)	L1153.5XW762XT1.2	1.00	EA
143.00	GX 000299002E	PLATE	護板(右前)	L1153.5XW926.4XT1.2	1.00	EA
144.00	GX 000299003E	PLATE	護板(左後)	L1153.5XW762XT1.2	1.00	EA
145.00	GX 000299004E	PLATE	護板(左前)	L1153.5XW926.4XT1.2	1.00	EA
146.01	NVA000899025A	PLATE, FRONT DOOR	前門護板	L53XW32XH32	4.00	EA
147.00	GX 001010901D	NOZZLE, COOLANT	切削水噴嘴(銅)	PT1/4"XD13.5XL25.5	18.00	EA
150.00	MS 0103415	SOCKET HEAD CAP SCREW	六角圓頭螺絲	M4XP0.7XL10	2.00	EA
151.00	MW 0183410	SPRING WASHER	彈簧墊圈	M4(HEAT TREATMENT)	2.00	EA
152.00	MW 0103410	FLAT WASHER	平墊圈	M4X10DX1T	2.00	EA
153.00	MS 0103414	SOCKET HEAD CAP SCREW	六角圓頭螺絲	M4XP0.7XL8	2.00	EA
154.00	MW 0183410	SPRING WASHER	彈簧墊圈	M4(HEAT TREATMENT)	2.00	EA
155.00	MW 0103410	FLAT WASHER	平墊圈	M4X10DX1T	2.00	EA
157.00	GX 000199190D	SIDE COVER,PLATE(FRON)	側蓋固定板(前)	L1286XW55XH27	1.00	EA
158.01	GXA000399103D	COVER PLATE, GUARD RIGHT	右側蓋板(前)	H1353XW405.3XH22	1.00	EA
159.00	GX 000399101D	PLATE,WASH DOWN	噴槍護板	H100X70XT2.0	1.00	EA
160.00	GX 000399102D	BRACKET,WASH DOWN	噴槍固定座	H100XW70X65.8	1.00	EA
161.00	NV 00082310113	RING, C-RETAINING	C型內扣	R-12	8.00	EA
162.00	GX 000599006D	PLATE	護板	L1497XW193XH90.1	2.00	EA

PRODUCT BOM MASTER AND SUB-ITEMS LIST  
\*\*\*\*\*

Item	Part NO.	Description	中文名稱	Specification	Qty	Unit
163.00	GH 000022163B	PLATE	插銷固定板	L50XW10XH2.3	1.00	EA
164.00	NV 00103590109	COMPRESSION EXTENSIBLE LATCH	迫緊式伸縮門鎖	MS816-3	1.00	ST
165.00	NV 00103590110	LATCH	平面型迫緊門扣[允際]	[TAI-SAN]MS-732-2A	2.00	EA
166.00	GX 000599089F	BOTTOM COVER, ATC SEAT	刀倉座下蓋板(#50-32T)	L252XW271.1XH130.5	1.00	EA
175.00	NV 000403802A	SHAFT, DOOR ROLLER	輪軸	D18XL27.5	4.00	EA

REV	DESCRIPTION	DATE	ECN
A	新機種	2016/4/11	1004066



MODEL: GX1300/GX1600	PART NUMBER: GX 001066118F
PART NAME: HEAD COOLING FAN SEAT SYSTEM 主車由采音力口裝排非風系統	PAGE 1 OF 1
DATE 2016/4/11	SCALE 1:1
TIGER	REV. A

# PRODUCT BOM MASTER AND SUB-ITEMS LIST

\*\*\*\*\*

Master Item Part NO.: GX 001066118F

Description: HEAD COOLING FAN SEAT  
主軸箱加裝排風系統

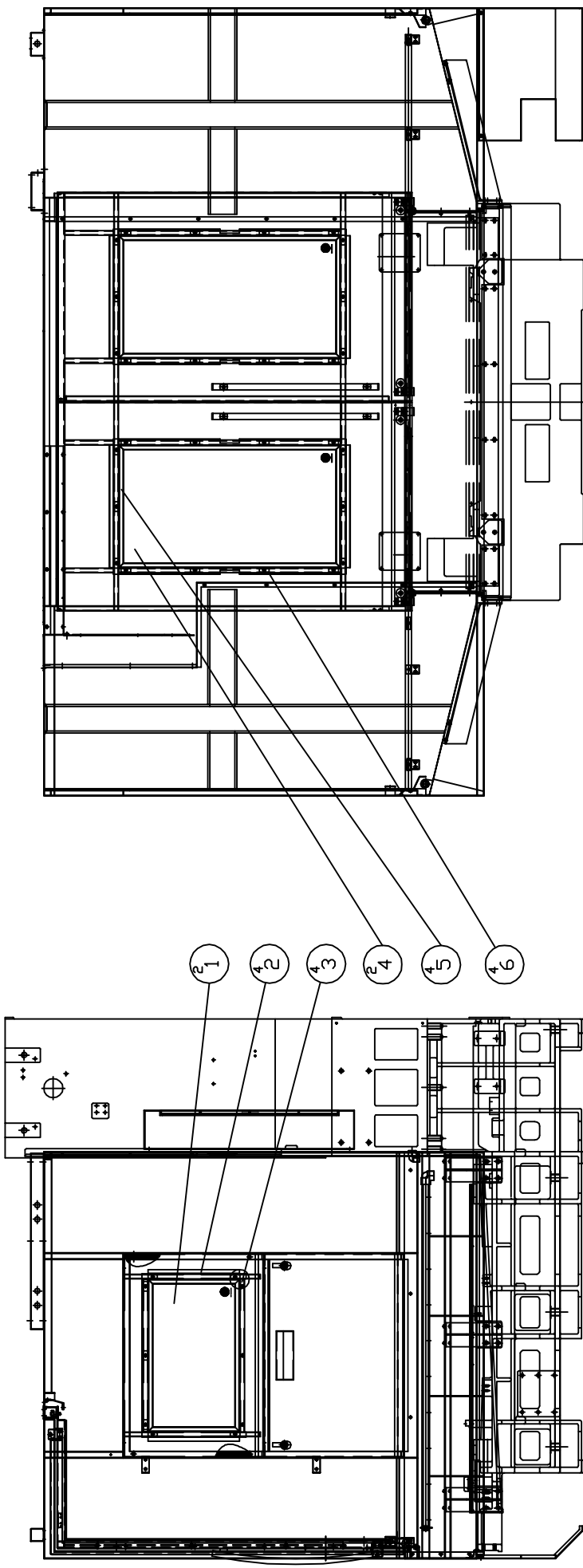
Item	Part NO.	Description	中文名稱	Specification	Qty	Unit
1.01	GXA000022113D	SUPPORTER ROD,HEADSTOCK COVER	主軸箱護蓋支撐飯	23.3X30X736.6L	1.00	EA
2.00	GX 000022149F	PLATE, HEADSTOCK TUBE	主軸箱進風管固定座	L132XW132XH32.3	1.00	EA
4.00	GX 000022151F	PLATE, HEADSTOCK FAN	主軸箱排風扇固定座	L182XW150XH30	1.00	EA
5.00	MS 0103616	SOCKET HEAD CAP SCREW	六角穴圓頭螺絲	M6XP1.0XL12	2.00	EA
6.00	MW 0183610	SPRING WASHER	彈簧墊圈	M6(HEAT TREATMENT)	10.00	EA
7.00	MW 0103610	FLAT WASHER	平墊圈	M6(D6*D19*H2)	10.00	EA
8.00	MS 0103617	SOCKET HEAD CAP SCREW	六角穴圓頭螺絲	M6XP1.0XL16	8.00	EA
9.00	MS 0103424	SOCKET HEAD CAP SCREW	六角穴圓頭螺絲	M4XP0.7XL50	4.00	EA
10.00	MW 0183410	SPRING WASHER	彈簧墊圈	M4(HEAT TREATMENT)	8.00	EA
13.00	NV 00115550210	FAN	風扇(日製 6"220V)	SAN ACE 172(109-313 230V)	1.00	EA
14.00	BL 00118500004	6" FAN COVER	6" 風扇保護鐵網	SP-39 (SOLOON)	1.00	EA
15.00	NV 00115550203	FAN	風扇 120*120 AC220V	A06B-6134-K001 125B (FANUC)	1.00	EA
16.01	GXA0003011034S	FAN CABLE FOR HEADSTOCK	FANUC GX 1300 主軸箱冷卻風扇線組	EA	1.00	EA
17.00	NV 00069660311	CLAMP, HOSE	不銹鋼管夾	5-1/2"(118-140MM)	2.00	EA
18.00	NV 00069660029	EXHAUST TUBE	5"半鋁箔排風管	D140MM(5"半)X1M	1.00	MT
19.00	NV 00118500000	FAN FINGER GUARD	4" 風扇保護鐵網	SP-38 (FG-120 11/4") (SOLOON)	1.00	EA
21.00	GX 000022152F	FILTE SEAT	濾網固定板	L188.6XW170.6XH20	1.00	EA
22.00	GXA000022150F	PLATE, HEADSTOCK FAN	主軸箱入風扇固定座	L200XW170XH32.3	1.00	EA
23.00	NV 00118500002	FILTER	過濾網(高抗 3A 熱交換器用)	160X178MM	1.00	EA

PRODUCT BOM MASTER AND SUB-ITEMS LIST  
\*\*\*\*\*

Item	Part NO.	Description	中文名稱	Specification	Qty	Unit
24.00	MS 0103427	SOCKET HEAD CAP SCREW	六角穴圓頭螺絲	M4XP0.7XL65	4.00	EA
25.00	NV 00077030223	NIPPLE, STRAIGHT	立布管	PT3/4"XPT3/4"-90MM(3吋)	1.00	EA
26.00	NV 00077030305	ELBOW, BRASS 90 DEG FEMALE	90度內雙螺紋肘管	PT3/4XPT3/4	1.00	EA



REV	DESCRIPTION	DATE	ECN
A	耐圧板	2012/10/24	100320E



MODEL: GX1300/1600#40/#50	
PART NUMBER	GXA001045358D
PART NAME	ENCLOSURE ASSM-WINDOW T=15.2mm
	外型板金 耐圧板 T=15.2mm/10K(含)以下
DATE	2012/10/24
SCALE	1:27
REV.	A

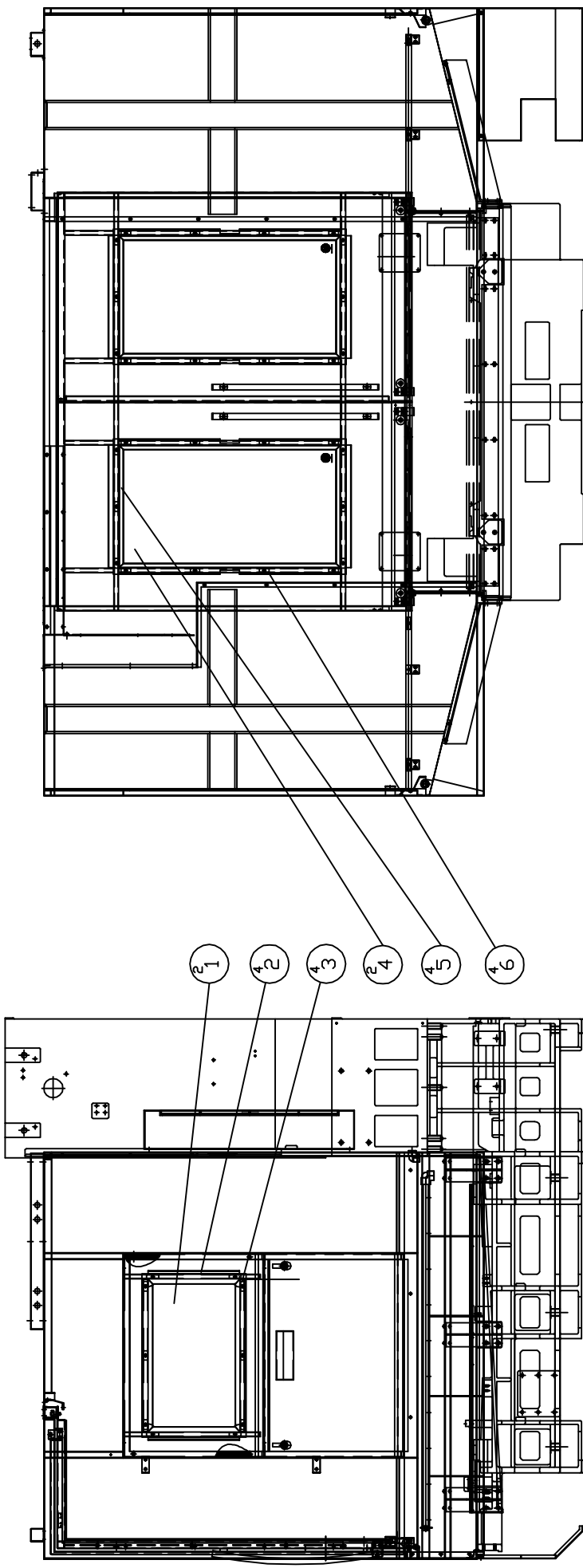
# PRODUCT BOM MASTER AND SUB-ITEMS LIST

Master Item Part NO.: GXA001045358D

Description: ENCLOSURE ASSM-WINDOW T=15.2MM  
外型板金-耐力板T=15.2MM/10000以下(含)

Item	Part NO.	Description	中文名稱	Specification	Qty	Unit
1.01	NV 001044930A	VISION PANEL	安全窗, T=15.2	L638XW383XT15.2	2.00	EA
2.01	NV 000799102A	DEPRESSOR, WINDOW	窗戶壓板(耐力板厚度15.2用)	L437XW59.2XH17.8	4.00	EA
3.01	NV 000799101A	DEPRESSOR, WINDOW	窗戶壓板(耐力板厚度15.2用)	L638XW46XH17.8	4.00	EA
4.01	GX 001044904D	VISION PANEL	安全窗 T15.2	L928XW513XT15.2	2.00	EA
5.01	GX 000299100D	DEPRESSOR, WINDOW	窗戶壓板(耐力板厚度15.2用)	L567XW59.2XH17.8	4.00	EA
6.01	NV 000799103A	DEPRESSOR, WINDOW	窗戶壓板(耐力板厚度15.2用)	L928XW46XH18.7	4.00	EA

REV	DESCRIPTION	DATE	ECN
A		2010/6/7	1003202



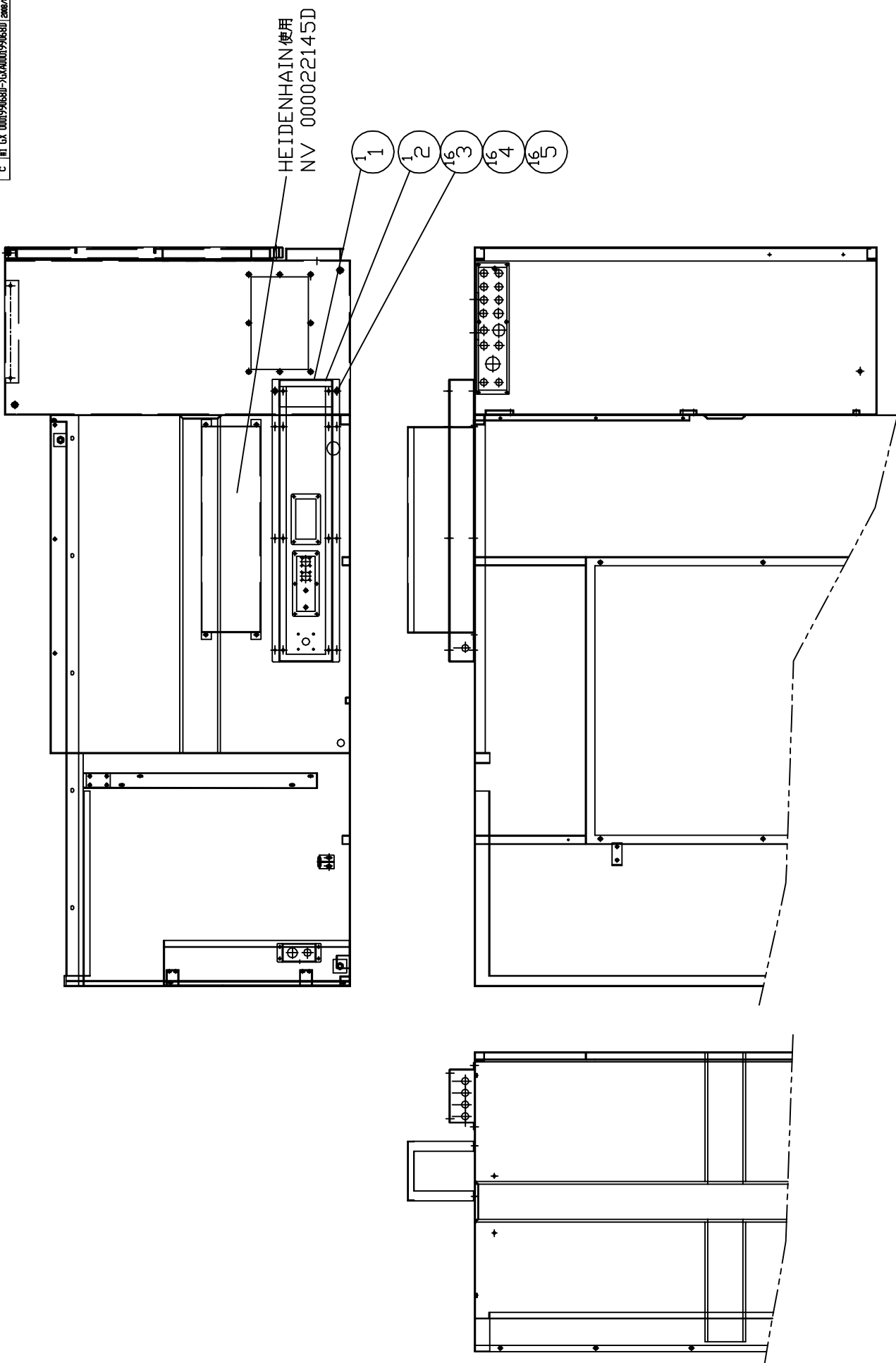
MODEL: GX1300/1600#4D/#50	
PART NAME	PART NUMBER
ENCLOSURE ASSM-WINDOW T=19.2mm 外型板金-耐カ板T=19.2mm/10001以上カ	GXB001045359D
DATE 2010/6/7	PAGE 1 OF 1
SCALE 1/27	REV. A

# PRODUCT BOM MASTER AND SUB-ITEMS LIST

Master Item Part NO.: GXB001045359D  
Description: ENCLOSURE ASSM-WINDOW T=19.2MM  
外型板金-耐力板T=19.2MM/10001轉以上(含)

Item	Part NO.	Description	中文名稱	Specification	Qty	Unit
1.01	NV 001044931A	WINDOW, DOOR	安全窗, T=19.2	L638XW383XH21.7	2.00	EA
2.01	NV 000899103A	DEPRESSOR, WINDOW	窗戶壓板(耐力板厚度19.2用)	L437XW55.2XH22.3	4.00	EA
3.01	NV 000899102A	DEPRESSOR, WINDOW	窗戶壓板(耐力板厚度19.2用)	L638XW46XH22.3	4.00	EA
4.01	GX 001044905D	VISION PANEL	安全窗 T19.2	L928XW513XT19.2	2.00	EA
5.01	GX 000399104D	DEPRESSOR, WINDOW	窗戶壓板(耐力板厚度15.2用)	L567XW63.7XH22.3	4.00	EA
6.01	NV 000899104A	DEPRESSOR, WINDOW	窗戶壓板(耐力板厚度19.2用)	L928XW46XH22.3	4.00	EA

REV	DESCRIPTION	DATE	EDN
A	初版	2007/11/26	B67
B	00022145D HEIDENHAIN	2008/02/13	1351
C	HT GX 00199680->GX1600199680	2008/02/18	1820



MODEL: GX1300/1600#40,30T/40T,GX1600#50,24T/32T,GX1300#50,32T
PART NAME ENCLOSURE ASSM.-ELECTRIC WIRE SHIELD
外装板金 電線束保護蓋
DATE 2007/11/26
SCALE 1:1
REV. C

PART NUMBER GX 001045316D
PAGE 1 OF 1

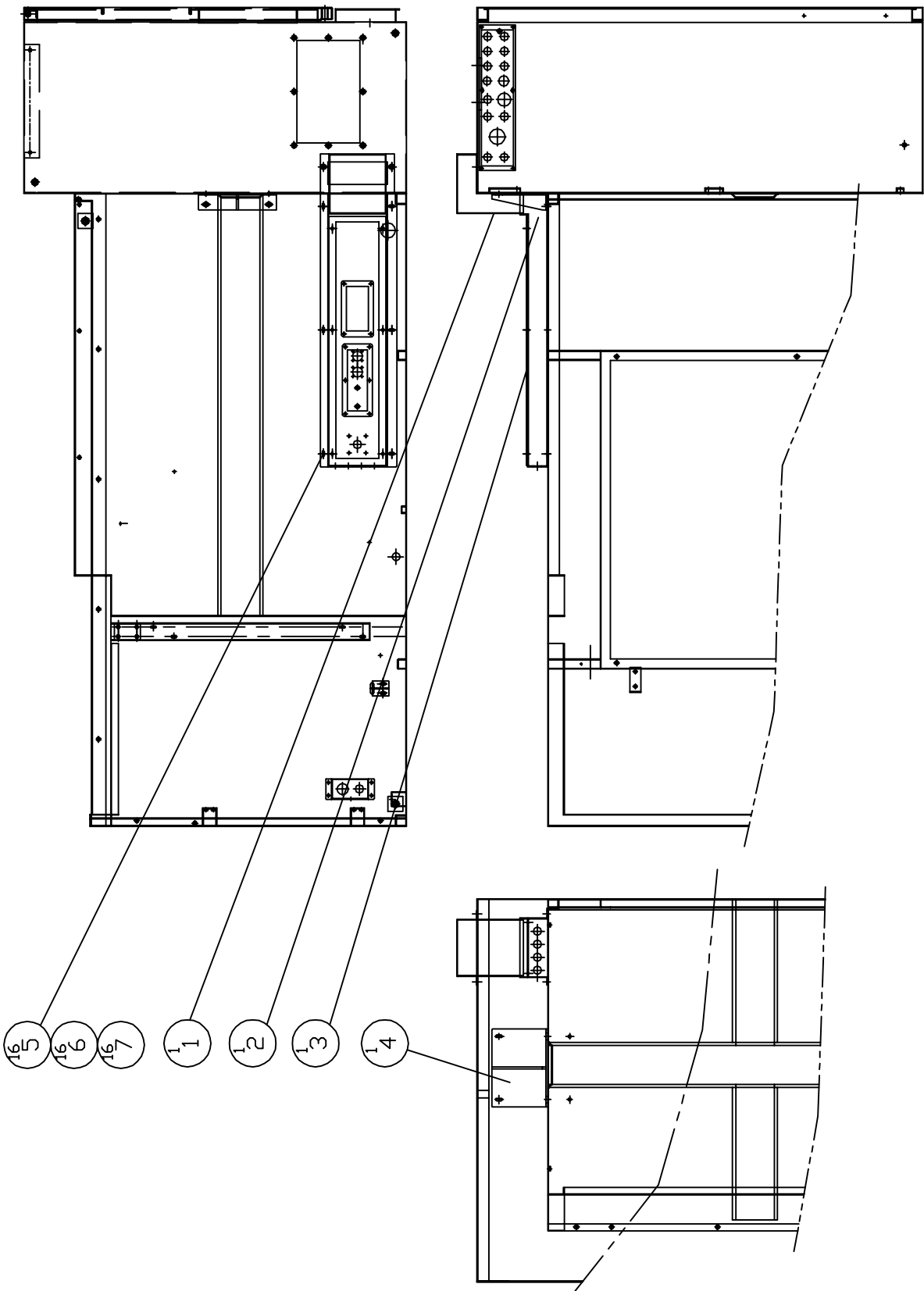
PRODUCT BOM MASTER AND SUB-ITEMS LIST  
\*\*\*\*\*

Master Item Part NO.: GX 001045316D

Description: ENCLOSURE ASSM.  
外型板金-電線槽護蓋

Item	Part NO.	Description	中文名稱	Specification	Qty	Unit
1.03	GXA000199068D	WIRE BOX	電線盒	L736XW200XH75	1.00	EA
2.00	GX 000199039D	COVER,WIRE BOX	電線盒蓋	L730XW154XT2.3	1.00	EA
3.00	MW 0183510	SPRING WASHER	彈簧墊圈	M5(HEAT TREATMENT)	16.00	EA
4.00	MW 0103510	FLAT WASHER	平墊圈	M5	16.00	EA
5.00	MS 0103515	SOCKET HEAD CAP SCREW	六角穴圓頭螺絲	M5XP0.8XL10	16.00	EA

REV	DESCRIPTION	DATE	EDN
A	新仕様	2008/4/1	1134
B	#4 #2 仕様	2008/6/10	1256
C	REV 00039083D->00040039083D	2009/4/28	1820



MODEL: GX1300#50-24T	
PART NAME	PART NUMBER
ENCLOSURE ASSM.-ELECTRIC WIRE SHIELD	GX 001045316F
外型板金-電線槽蓋 GX1300#50-24T	PAGE 1 OF 1
DATE 2008/4/1	SCALE 1:1
SHERRY	REV. C

PRODUCT BOM MASTER AND SUB-ITEMS LIST  
\*\*\*\*\*

Master Item Part NO.: GX 001045316F

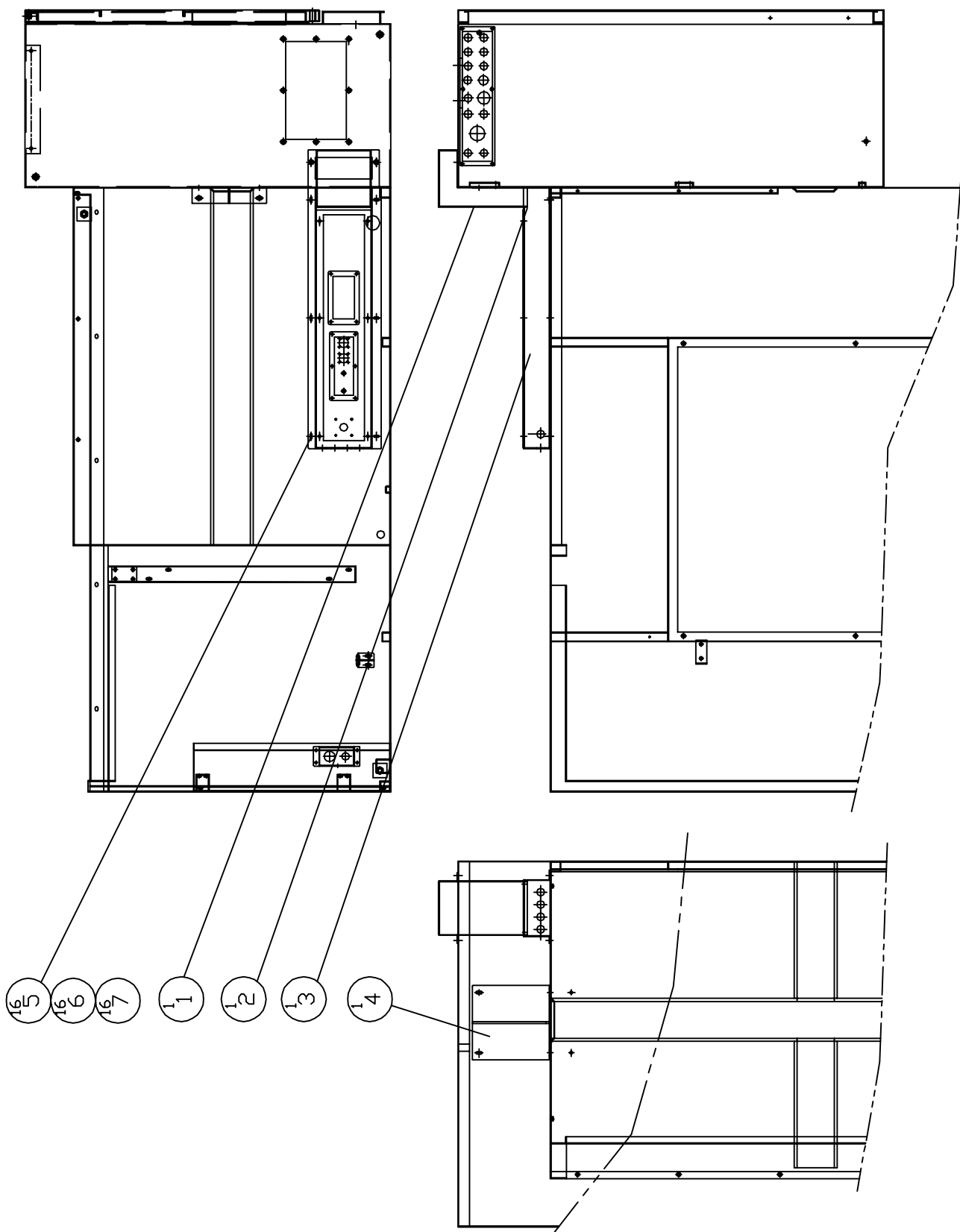
Description: ENCLOSURE ASSM.

外型板金-電線槽護蓋(GX1300#50-24T)

Item	Part NO.	Description	中文名稱	Specification	Qty	Unit
1.00	GX 000399084F	WIRE BOX, POWER CASE	電線盒(GX1300#50/24T)	L161XW200XH180	1.00	EA
2.03	GXA000399083D	WIRE BOX, ENCLOSURE(+260MM)	電線盒(立柱加高260MM)	L736XW200XH75	1.00	EA
3.00	GX 000399085D	COVER, WIRE BOX(+260MM)	電線盒蓋(立柱加高260MM)	L674.5XW154XH2.3	1.00	EA
4.01	GX 000399087F	BRACKET	固定架(GX1300#50/24T)	L210XW45XH150	1.00	EA
5.00	MW 0183510	SPRING WASHER	彈簧墊圈	M5(HEAT TREATMENT)	16.00	EA
6.00	MW 0103510	FLAT WASHER	平墊圈	M5	16.00	EA
7.00	MS 0103515	SOCKET HEAD CAP SCREW	六角穴圓頭螺絲	M5XP0.8XL10	16.00	EA



REV	DESCRIPTION	DATE	EDN
A	新製圖	2007/11/26	B67
B	規格 (0103983D)-16X4003983D	2009/4/28	E20
C	規格 增加防塵蓋, 規格不變	2009/5/14	F7E



MODEL: GX1300/1600#40,30T/40T,GX1600#50,24T/32T,GX1300#50,32T
PART NAME ENCLOSURE ASSM.-ELECTRIC WIRE SHIELD 外型板金-電線槽護蓋(立柱加高之60mm)
PART NUMBER GX 001045317D
DATE 2007/11/26
SCALE 1:1
REV. C

PRODUCT BOM MASTER AND SUB-ITEMS LIST  
\*\*\*\*\*

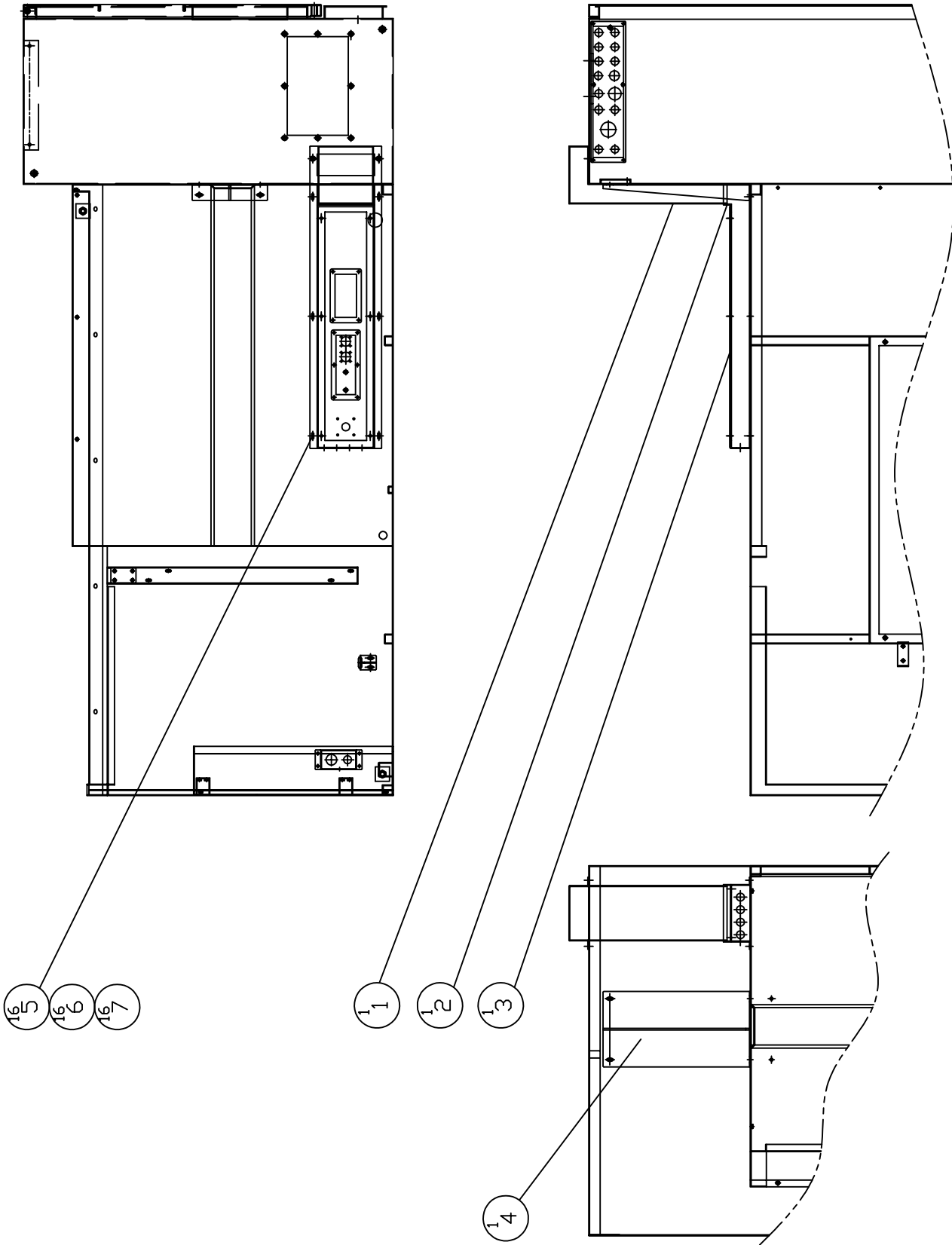
Master Item Part NO.: GX 001045317D

Description: ENCLOSURE ASSM.

外型板金-電線槽護蓋(立柱加高260MM)

Item	Part NO.	Description	中文名稱	Specification	Qty	Unit
1.00	GX 000399084D	WIRE BOX, POWER CASE(+260MM)	電線盒(立柱加高260MM)	L161XW200XH250	1.00	EA
2.03	GXA000399083D	WIRE BOX, ENCLOSURE(+260MM)	電線盒(立柱加高260MM)	L736XW200XH75	1.00	EA
3.00	GX 000399085D	COVER, WIRE BOX(+260MM)	電線盒蓋(立柱加高260MM)	L674.5XW154XH2.3	1.00	EA
4.01	GX 000399087D	BRACKET(ADDITIONAL 260MM)	固定架(立柱加高260MM)	L210XW165XH260	1.00	EA
5.00	MW 0183510	SPRING WASHER	彈簧墊圈	M5(HEAT TREATMENT)	16.00	EA
6.00	MW 0103510	FLAT WASHER	平墊圈	M5	16.00	EA
7.00	MS 0103515	SOCKET HEAD CAP SCREW	六角穴圓頭螺絲	M5XP0.8XL10	16.00	EA

REV	DESCRIPTION	DATE	ECN
A	新規格	2011/8/5	D022-1



MODEL: GX1300#50,24T	
PART NAME	PART NUMBER
ENCLOSURE ASSM(GX1300#50-24)PRISER 260mm	GX 001045323F
電線槽蓋( GX1300#50-24) 立柱加高260mm	PAGE 1 OF 1
DATE 2011/8/5	REV. A
SCALE 1:1	SCALE 1:17

PRODUCT BOM MASTER AND SUB-ITEMS LIST  
\*\*\*\*\*

Master Item Part NO.: GX 001045323F

Description: ENCLOSURE ASSM(#50-24T ADD260)  
電線槽護蓋(#50-24T立柱加高260MM)

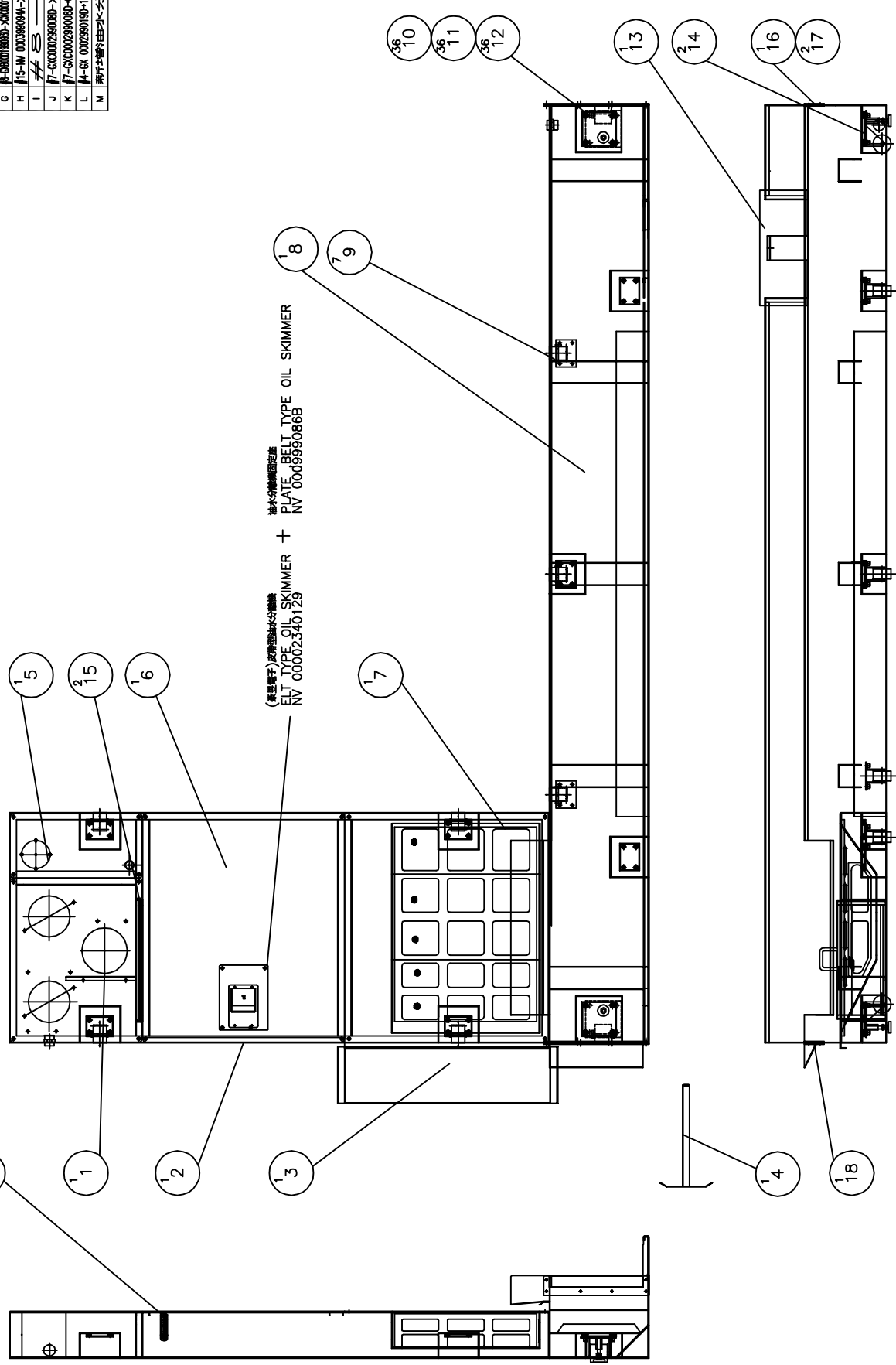
Item	Part NO.	Description	中文名稱	Specification	Qty	Unit
1.00	GX 000399103F	WIRE BOX, POWER CASE	電線盒加高260(GX1300#50/24T)	L161XW200XH440	1.00	EA
2.00	GXA000399083D	WIRE BOX, ENCLOSURE(+260MM)	電線盒(立柱加高260MM)	L736XW200XH75	1.00	EA
3.00	GX 000399085D	COVER, WIRE BOX(+260MM)	電線盒蓋(立柱加高260MM)	L674.5XW154XH2.3	1.00	EA
4.01	GX 000399104F	BRACKET(ADDITIONAL 260MM)	固定架(24T立柱加高260MM)	L210XW165XH410	1.00	EA
5.00	MW 0183510	SPRING WASHER	彈簧墊圈	M5(HEAT TREATMENT)	16.00	EA
6.00	MW 0103510	FLAT WASHER	平墊圈	M5	16.00	EA
7.00	MS 0103515	SOCKET HEAD CAP SCREW	六角穴圓頭螺絲	M5XP0.8XL10	16.00	EA

# **Chapter 9**

切削水箱

**Coolant Tank**

REV	DESCRIPTION	DATE	EON
A	新仕様	2007/11/7	S 4.2
B	機油回収用油取り出し機	2008/2/11	1 O 3.2
C	機油#16, #15用機油回収機	2008/5/31	1 O 6.0
D	#5新仕様MS機油回収機	2008/5/14	1 2 5.0
E	#5機油回収機	2008/6/14	1 3 5.1
F	#5機油回収機, #6機油回収機	2008/6/20	1 4 7.6
G	#6機油回収機	2009/4/29	1 7 4.9
H	#15-#6機油回収機	2009/5/6	1 9 2.9
I	#15機油回収機	2009/6/11	1 9 9.9
J	#7機油回収機	2012/11/16	1 0 0 3 2 3 9
K	#7機油回収機	2013/1/20	1 0 0 3 2 9 1
L	#4機油回収機	2014/5/7	1 0 0 3 6 1 4
M	新仕様機油回収機	2015/7/28	1 0 0 3 9 0 1



機油回収機用油取り出し機  
BELT TYPE OIL SKIMMER +  
PLATE BELT TYPE OIL SKIMMER  
NV 000999086B

機油回収機用油取り出し機  
ELT TYPE OIL SKIMMER +  
NV 00002340129

水箱容量: 180L + 234L = 414L  
MODEL: GX 1300#40/#50

PART NAME	COOLANT TANK
PART NUMBER	GXA000331501D
DATE	2007/2/13
SCALE	1:20
REV.	M
PAGE	1 OF 1

# PRODUCT BOM MASTER AND SUB-ITEMS LIST

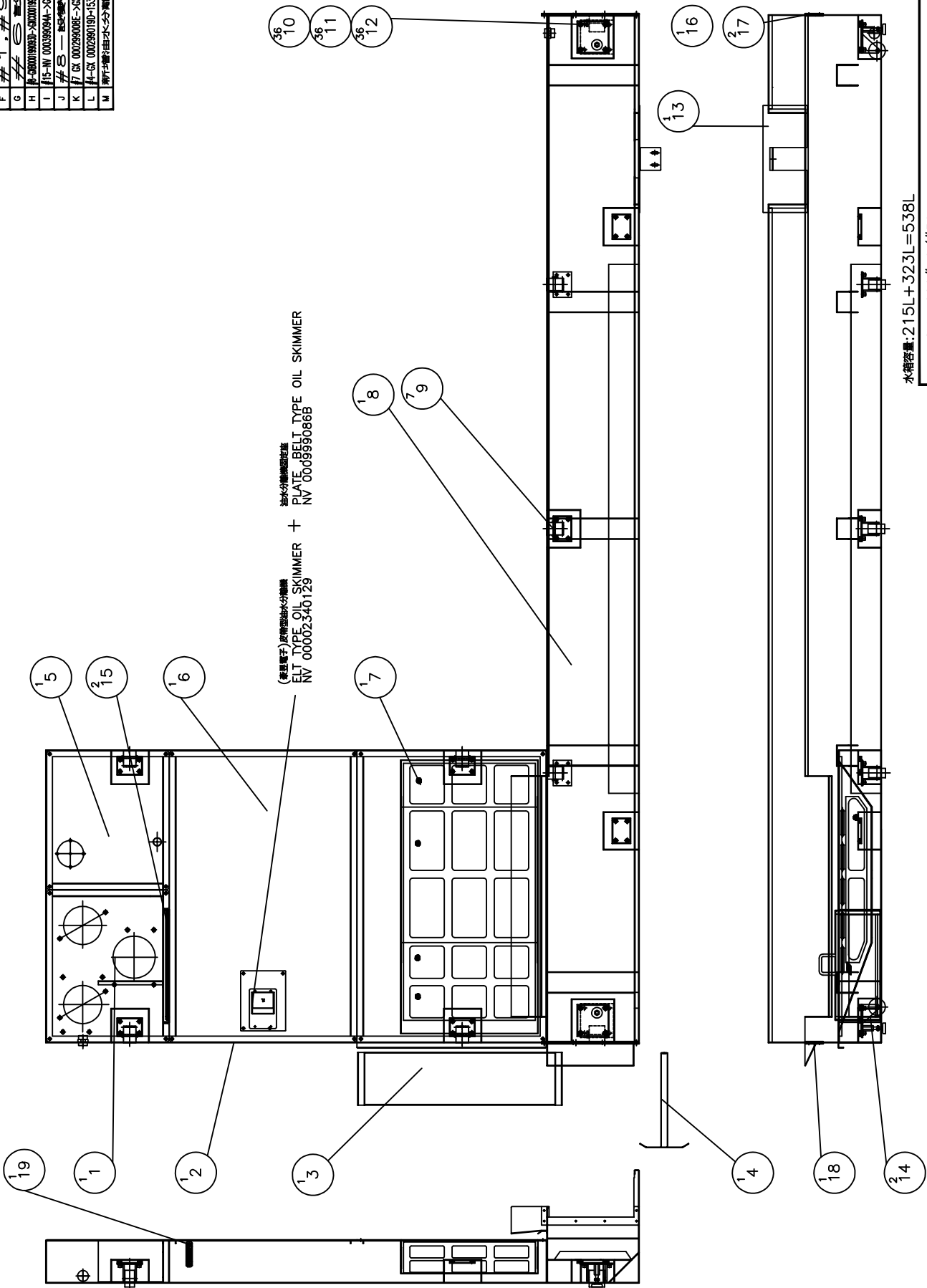
\*\*\*\*\*

Master Item Part NO.: GXA000331501D

Description: COOLANT TANK  
切削水箱

Item	Part NO.	Description	中文名稱	Specification	Qty	Unit
1.02	GX 000399089D	MOTOR, FIXED COVER	馬達固定蓋板	L:576.5W:4647	1.00	EA
2.01	GX 000399088D	FIXED COVER, COOLANT TANK	固定蓋板	L804W681.3	1.00	EA
3.00	GXA000299018D	SCREEN, CHIP BUCKET	集屑盒	L:775W:200H:165	1.00	EA
4.03	1533600101	CHIP HARROW	鐵屑耙	SS41 2.3T/染黑(XR 1000)	1.00	EA
5.02	GX 000399073D	FIXED COVER	固定蓋板	L:464.7W:226.5	1.00	EA
6.03	GXA000199094D	COOLANT TANK BODY	切削水箱本體-B	L1900W810H162	1.00	EA
7.01	GX 000599027D	SCREEN, CHIP BUCKET	集屑盒(可移動式)0.5MM	L:1127W:717H:129.3	1.00	EA
8.06	GXC000199093D	COOLANT TANK BODY	切削水箱本體-A	L3290W810H428	1.00	EA
9.00	NV 00115570101	SWIVEL	活動輪	2(1/2")(MT02PA)	7.00	EA
10.00	MS 0103817	SOCKET HEAD CAP SCREW	六角穴圓頭螺絲	M8XP1.25XL16	36.00	EA
11.00	MW 0183810	SPRING WASHER	彈簧墊圈	M8(HEAT TREATMENT)	36.00	EA
12.00	MW 0103810	FLAT WASHER	平墊圈	M8 (D8*D22.2)	36.00	EA
13.01	GX 000199100D	FRONT PLATE, COOLANT TANK	前護板	L385H168W52.3	1.00	EA
14.00	NV 00115570105	SWIVEL, ADJUSTABLE	美國活動尼龍輪附支撐腳座(可調整高度)	2-1/2**2 4角(2-1/2**2 TETRAGON)	2.00	EA
15.00	GX 000499094D	SCREEN, COOLANT TANK	過濾網	L:417.5XW:234XT:5.6	2.00	EA
16.00	GX 000899040D	COVER	蓋板	L:370XH:70	1.00	EA
17.00	GX 000899041D	RUBBER	橡膠條	L:370XH:70	2.00	EA
18.00	GX 000899039D	PLATE	導水板	L:370XW:84.7XH:70	1.00	EA
19.00	NV 00113180101	GAUGE LEVEL	油面計	3"	1.00	EA

REV	DESCRIPTION	DATE	ECN
A	新機	2007/11/7	S-4-2
B	機體構造の修正(油室の追加)	2008/1/28	1093
C	機體#16, #15改修2EA	2007/3/31	116C
D	#5新機MS機体用4機	2007/3/31	125C
F	#1, #9 機体改修	2008/8/23	135
G	#10 機体改修	2008/9/11	147G
H	#600019930->SCK0019930(機体用)機体改修	2009/4/28	174B
I	#15-NV 000399994->SCK 000499940	2009/5/6	192B
J	#8 - 機体改修	2009/6/11	199B
K	#7 CK 00029900E->SCK 00029901E	2013/7/28	003291
L	#4-CK 000299019->SCK 000339010	2014/5/7	1003614
M	新機:機体用油室の追加機体改修	2015/7/28	1003901



(機体電子) 及び機体用油室  
ELT TYPE OIL SKIMMER +  
NV 00002340129

機体外機用油室  
PLATE BELT TYPE OIL SKIMMER  
NV 000999086B

水箱容量: 215L + 323L = 538L  
MODEL: GX 1600#40/#50

PART NAME	COOLANT TANK	PART NUMBER	GXA000331501E
DATE	2007/2/13	PAGE	1 OF 1
SCALE	1:20	REV.	M



\*\*\*\*\*  
**PRODUCT BOM MASTER AND SUB-ITEMS LIST**  
 \*\*\*\*\*

Master Item Part NO.: GXA000331501E

Description: COOLANT TANK  
切削水箱

Item	Part NO.	Description	中文名稱	Specification	Qty	Unit
1.02	GX 000399089D	MOTOR, FIXED COVER	馬達固定蓋板	L:576.5W:4647	1.00	EA
2.01	GX 000399088E	FIXED COVER, COOLANT TANK	固定蓋板	L:1104W:711.3	1.00	EA
3.00	GXA000299018D	SCREEN, CHIP BUCKET	集屑盒	L:775W:200H:165	1.00	EA
4.03	1533600101	CHIP HARROW	鐵屑耙	SS41 2.3T/染黑(XR 1000)	1.00	EA
5.01	GX 000399073E	FIXED COVER	固定蓋板	L:526.5W:464.7	1.00	EA
6.01	GXB000199094E	COOLANT TANK BODY	切削水箱本體-B	L1900XW1110XH177	1.00	EA
7.01	GX 000299010E	SCREEN, CHIP BUCKET	集屑盒(可移動式)0.5MM	L:1127W:717H:129.3	1.00	EA
8.06	GXC000199093E	COOLANT TANK BODY	切削水箱本體-A	L3898W350H317	1.00	EA
9.00	NV 00115570101	SWIVEL	活動輪	2(1/2")(MT02PA)	7.00	EA
10.00	MS 0103817	SOCKET HEAD CAP SCREW	六角穴圓頭螺絲	M8XP1.25XL16	36.00	EA
11.00	MW 0183810	SPRING WASHER	彈簧墊圈	M8(HEAT TREATMENT)	36.00	EA
12.00	MW 0103810	FLAT WASHER	平墊圈	M8 (D8*D22.2)	36.00	EA
13.01	GX 000199100D	FRONT PLATE, COOLANT TANK	前護板	L385H168W52.3	1.00	EA
14.00	NV 00115570105	SWIVEL, ADJUSTABLE	美國活動尼龍輪附支撐腳座(可調整高度)	2-1/2**2 4角(2-1/2**2 TETRAGON)	2.00	EA
15.00	GX 000499094D	SCREEN, COOLANT TANK	過濾網	L:417.5XW:234XT:5.6	2.00	EA
16.00	GX 000899040D	COVER	蓋板	L:370XH:70	1.00	EA
17.00	GX 000899041D	RUBBER	橡膠條	L:370XH:70	2.00	EA
18.00	GX 000899039D	PLATE	導水板	L:370XW:84.7XH:70	1.00	EA
19.00	NV 00113180101	GAUGE LEVEL	油面計	3"	1.00	EA

# Chapter 10

銘牌位置圖

Button Up

Tag1

語言	主軸轉速名稱	電壓名稱	中國標準名稱	Tag, Spindle Speed	Tag, Electrical	Tag, Door Interlock
中文	NV_0010303544C	NV_0010303544A	N/A	NV_0010303544C	N/A	
英文	NV_0010303544C	NV_0010303544A	N/A	NV_0010303544C	N/A	
德文	NV_0010303544C	NV_0010303544A	N/A	NV_0010303544C	N/A	
法文	NV_0010303544C	NV_0010303544A	N/A	NV_0010303544C	N/A	
日文	NV_0010303544C	NV_0010303544A	N/A	NV_0010303544C	N/A	
韓文	NV_0010303544C	NV_0010303544A	N/A	NV_0010303544C	N/A	
俄文	NV_0010303544C	NV_0010303544A	N/A	NV_0010303544C	N/A	
西班牙文	NV_0010303544C	NV_0010303544A	N/A	NV_0010303544C	N/A	
意大利文	NV_0010303544C	NV_0010303544A	N/A	NV_0010303544C	N/A	
葡萄牙文	NV_0010303544C	NV_0010303544A	N/A	NV_0010303544C	N/A	
希臘文	NV_0010303544C	NV_0010303544A	N/A	NV_0010303544C	N/A	
土耳其文	NV_0010303544C	NV_0010303544A	N/A	NV_0010303544C	N/A	
阿拉伯文	NV_0010303544C	NV_0010303544A	N/A	NV_0010303544C	N/A	
印地文	NV_0010303544C	NV_0010303544A	N/A	NV_0010303544C	N/A	
越南文	NV_0010303544C	NV_0010303544A	N/A	NV_0010303544C	N/A	
泰文	NV_0010303544C	NV_0010303544A	N/A	NV_0010303544C	N/A	
菲律賓文	NV_0010303544C	NV_0010303544A	N/A	NV_0010303544C	N/A	
馬來文	NV_0010303544C	NV_0010303544A	N/A	NV_0010303544C	N/A	
印尼文	NV_0010303544C	NV_0010303544A	N/A	NV_0010303544C	N/A	
希伯來文	NV_0010303544C	NV_0010303544A	N/A	NV_0010303544C	N/A	
泰米爾文	NV_0010303544C	NV_0010303544A	N/A	NV_0010303544C	N/A	
印地安文	NV_0010303544C	NV_0010303544A	N/A	NV_0010303544C	N/A	
其他	NV_0010303544C	NV_0010303544A	N/A	NV_0010303544C	N/A	

Table1: Tag for Retention Knob

Total Type	Part Number
#40	NV_0010303544A
BT_40	NV_0010303544A
SK_40	NV_0010303544A
CAI_40	NV_0010303544A
#50	GX_001030394F
BT_50	GX_001030394F
SK_50	GX_001030394F

Table2: Tag for Machine Type

Machine Type	Part Number
GX 1300	NV_0010303527G
GX 1600	NV_0010303549G
GX 1600	NV_0010303549G
GX 1600	NV_0010303549G

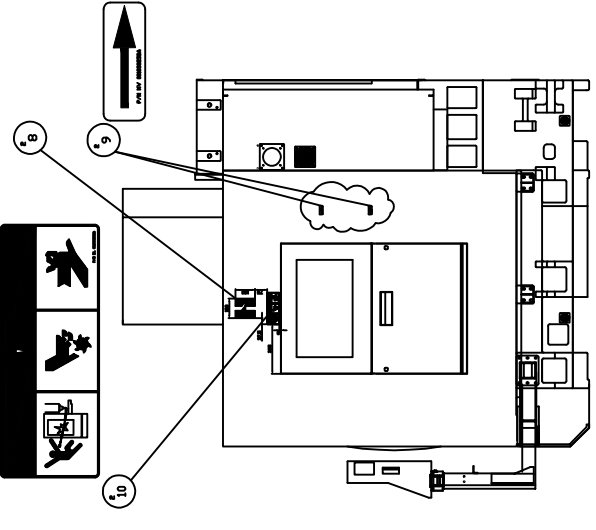
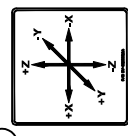


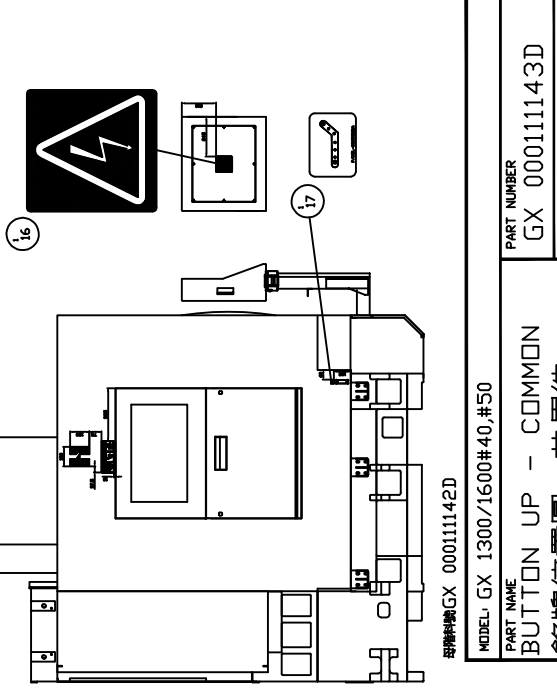
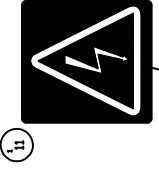
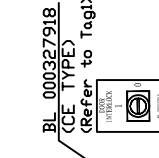
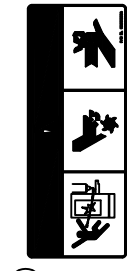
Table3: Tag for Central Grease Lubrication

語言	Tag, Central Grease Lubrication
中文	NV_001030362AC
英文	NV_001030362AC
德文	NV_001030362AC
法文	NV_001030362AC
日文	NV_001030362AC
韓文	NV_001030362AC
俄文	NV_001030362AC
西班牙文	NV_001030362AC
意大利文	NV_001030362AC
葡萄牙文	NV_001030362AC
希臘文	NV_001030362AC
土耳其文	NV_001030362AC
阿拉伯文	NV_001030362AC
印地文	NV_001030362AC
越南文	NV_001030362AC
泰文	NV_001030362AC
菲律賓文	NV_001030362AC
馬來文	NV_001030362AC
印尼文	NV_001030362AC
希伯來文	NV_001030362AC
泰米爾文	NV_001030362AC
印地安文	NV_001030362AC



Table4: Tag for Pneumatic

Pneumatic	Part Number
NV_40	BL_001030223A
NV_50	GX_001030300F



Model: GX 1300/1600#40,#50

MODEL: GX 1300/1600#40,#50	PART NUMBER: GX 000111143D
PART NAME: BUTTON UP - COMMON	PAGE: 1 OF 1
名稱: 共用件	REV: A
DATE: 2015/03/31	SCALE: 1:50

\*\*\*\*\*  
PRODUCT BOM MASTER AND SUB-ITEMS LIST  
\*\*\*\*\*

Master Item Part NO.: GX 000111143D

Description: BUTTON UP(COMMON)  
銘牌位置圖(共用件)

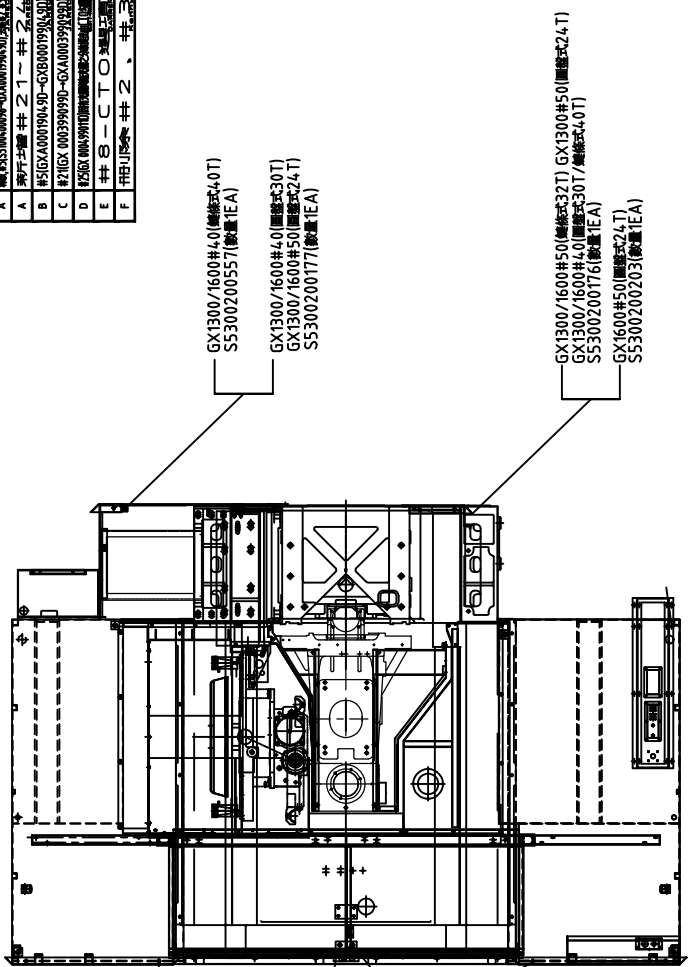
Item	Part NO.	Description	中文名稱	Specification	Qty	Unit
1.00	NV 001036626GT	TAG,MACHINE MODEL(170MM)	H-170MM銘牌	L170XW170	1.00	EA
2.00	NV 001030316A	TAG, DIRECTION	方向銘牌	L90XW90	1.00	EA
4.00	CM 0010366SH	TAG, HARDINGE LOGO	HARDINGE LOGO銘牌(小H)	PER ATTACHMENT(L60XW60)	1.00	EA
5.00	BL 001030238A	TAG,WARNING	警告銘牌(注意零件彈射+手指剪斷+夾傷區域)	L195XW76	1.00	ST
6.00	NV 001036618GT	TAG, BLUE STRIPE	BLUE條紋貼紙	L1920XW100	1.00	EA
8.00	CM 0010366BIGH	TAG, BIG H	HARDINGE銘牌	PER ATTACHMENT(L120XW120)	2.00	EA
9.00	NV 001030258A	TAG, ARROW SIGN	箭號銘牌	L54XW19	2.00	EA
10.00	BL 001030238A	TAG,WARNING	警告銘牌(注意零件彈射+手指剪斷+夾傷區域)	L195XW76	2.00	ST
11.00	NVA001030240A	TAG, ELECTRICAL HAZARD	電擊銘牌	L94XW100	1.00	EA
12.00	BL 001030256A	TAG,POWER SWITCH	電源開關銘牌	L60XW50	1.00	EA
14.00	NV 001030368A	TAG, LIFTING POINT	堆高機舉起處銘牌	L60XW60	4.00	EA
15.00	NV 001030311A	TAG, MACHINE MODEL	機型銘牌	L120XW110XT0.8	1.00	EA
16.00	NVA001030240A	TAG, ELECTRICAL HAZARD	電擊銘牌	L94XW100	1.00	EA
17.00	BL 001030221A	TAG / CHIP CONVEYOR	鐵屑輸送機銘牌	L19XW26	1.00	EA

# **Chapter 11**

運輸用固定零件

**Shipping Parts**

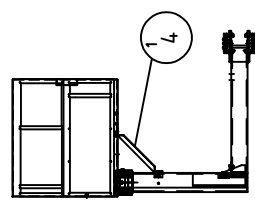
REV	DESCRIPTION	DATE	ENR
A	機殼組立用組立書	2008/6/11	1102
A	機殼組立書 井 21-井 24	2008/6/11	1102
B	#5(GX1600/1600#50-GX1600/1600#50)	2009/12/1	1397
C	#2(GX 00039909D-GX1600/1600#50)	2009/12/1	2068
D	#2(GX 00039909D-GX1600/1600#50)	2009/12/1	2068
E	井 21-CTO	2012/7/1	2916
F	井 21-CTO	2016/7/1	100354
F	井 21-CTO	2016/7/1	100395



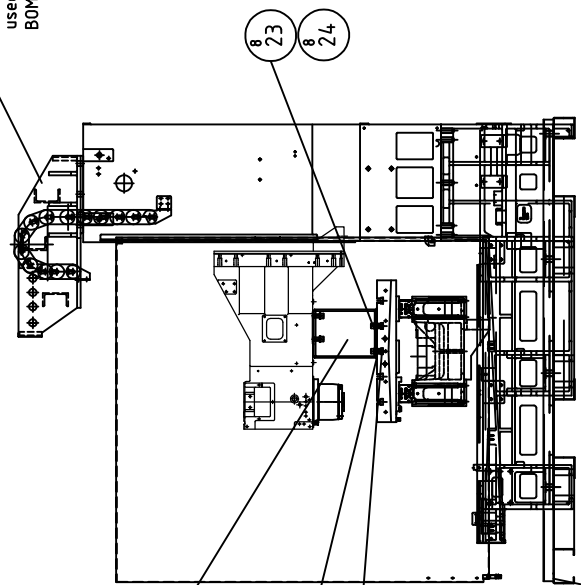
S5300200178 (GX1300數量2EA)  
S5300200179 (GX1600數量2EA)

- 1 11
- 1 12
- 1 13
- 1 14
- 1 15
- 1 16

- 1 17
- 1 18
- 2 19
- 2 20



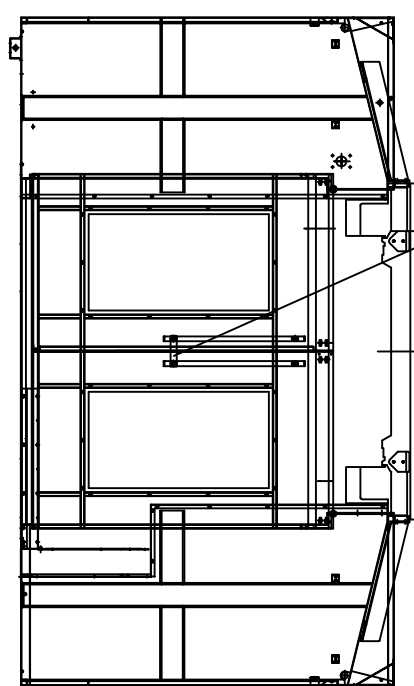
GX 001000102D 搬運用吊架, 不加入BOM清單  
GX 001000102D is the lifting frame  
used for transportation, not to join  
BOM



STD  
GX1600/1600#50  
加減260mm  
GX 000199052D

- 1 21
- 4 22

- 8 23
- 8 24



管水用 GX 000499013D+GX 000499014D 數量:1EA  
無水用 GX 000499011D 數量:1EA

GX1300 S5100400538 數量:1EA  
GX1600 S5100400533 數量:1EA

MODEL: GX 1300/GX 1600	PART NUMBER: GX A001045302D
PART NAME: SHIPPING PARTS	
運輸固定用零件	
DATE: 2008/6/13	PAGE: 1 OF 1
JARED TGM	REV: F
SCALE: 1:40	

PRODUCT BOM MASTER AND SUB-ITEMS LIST  
\*\*\*\*\*

Master Item Part NO.: GXA001045302D

Description: SHIPPING PARTS  
運輸固定用零件

Item Part NO.	Description	中文名稱	Specification	Qty	Unit
4.00	GXB000199044D SHIPPING BRACKET, OPERATOR PANE	操作箱運輸支撐架	L242XW78XH222.5	1.00	EA
17.02	GXA000499010D FRONT DOOR FASTENER	GX1300/1600運輸用活動門固定板	L138XW75XH12	1.00	EA
18.00	MS 0103618 SOCKET HEAD CAP SCREW	六角穴圓頭螺絲	M6XP1.0XL20	2.00	EA
19.00	MW 0183610 SPRING WASHER	彈簧墊圈	M6(HEAT TREATMENT)	2.00	EA
20.00	MW 0103610 FLAT WASHER	平墊圈	M6(D6*D19*H2)	2.00	EA
21.03	GXA000399099D LIFTING PLATE, RUBBER	起吊架橡膠(GX與XR760/1000共用)	L320XW250XT4	1.00	EA
22.00	NV 001050200A T NUT	T型螺帽	L28XW28XH20(M16X2)	4.00	EA
23.00	MS 0104621 SOCKET HEAD CAP SCREW	六角穴圓頭螺絲	M16XP2.0XL35	8.00	EA
24.00	MW 0104610 FLAT WASHER	平墊圈	M16	8.00	EA

# Chapter 12

工具袋

Tool kit(No Drawing)



# PRODUCT BOM MASTER AND SUB-ITEMS LIST

\*\*\*\*\*

Master Item Part NO.: NV 000005002A

Description: TOOL KIT(USA)  
工具袋(美國)

Item	Part NO.	Description	中文名稱	Specification	Qty	Unit
1.00	NV 00080640101	CLEANER, SPINDLE TAPER	主軸錐孔清潔器	NO.40	1.00	EA
2.00	NV 00070070302	TUBE, PU COIL WICH ADAPTER	風壓用伸縮管附接頭	[CHI-YING]0850-6M	1.00	EA
3.00	NV 01070350102	AIR NOZZLE	空氣噴槍	30PSI MAX, OSHA REQUIREMENT,MM	1.00	EA
4.00	NV 00000470101	HEX. WRENCH	六角扳手 3MM	六角扳手 3MM	1.00	EA
5.00	NV 00000470102	HEX. WRENCH	六角扳手 4MM	六角扳手 4MM	1.00	EA
6.00	NV 00000470103	HEX. WRENCH	六角扳手 5MM	六角扳手 5MM	1.00	EA
7.00	NV 00000470104	HEX. WRENCH	六角扳手 6MM	六角扳手 6MM	1.00	EA
8.00	NV 00000470105	HEX. WRENCH	六角扳手 8MM	六角扳手 8MM	1.00	EA
9.00	NV 00000470106	HEX. WRENCH	六角扳手 10MM	六角扳手 10MM	1.00	EA
10.00	NV 00000470107	HEX. WRENCH	六角扳手 12MM	六角扳手 12MM	1.00	EA
11.00	NV 00000470108	HEX. WRENCH	六角扳手	14MM	1.00	EA
12.00	NV 00000470109	HEX. WRENCH	六角扳手	16MM	1.00	EA
13.00	NV 00000470201	OPEN WRENCH	開口扳手(兩端)	8X10	1.00	EA
14.00	NV 00000470401	SCREW DRIVER	塑膠柄起子	— 0.2X4"	1.00	EA
15.00	NV 00000470501	SCREW DRIVER	塑膠柄起子	十 6"X8MM	1.00	EA
16.00	NV 00000470601	LIFE WRENCH	活動扳手	10"	1.00	EA
17.00	NV 00000470801	TOOL BAG	工具袋	TOOL	1.00	EA
18.00	NV 00000470902	GREASE GUN	黃油槍	[PRESSOL] 12732 1/8PT 400CC	1.00	EA
19.00	NV 00077031402	PRESTO ADAPTER, STRAIGHT MALE	外牙直快速接頭(公)	PT1/4"(PM20)	1.00	EA
20.00	BL 001066178A	LATCH, COPPER, TWIN BALL	球型門扣(公扣)	L35XW9XH13(允際TK-60)	5.00	EA

PRODUCT BOM MASTER AND SUB-ITEMS LIST  
\*\*\*\*\*

Master Item Part NO.: NV 000005001A

Description: TOOL KIT

工具袋

Item	Part NO.	Description	中文名稱	Specification	Qty	Unit
1.00	NV 00080640101	CLEANER, SPINDLE TAPER	主軸錐孔清潔器	NO.40	1.00	EA
2.00	NV 00070070302	TUBE, PU COIL WICH ADAPTER	風壓用伸縮管附接頭	[CHI-YING]0850-6M	1.00	EA
3.00	NV 01070350101	AIR FLOW GUN	空氣噴槍	KS 100MM	1.00	EA
4.00	NV 00000470101	HEX. WRENCH	六角扳手 3MM	六角扳手 3MM	1.00	EA
5.00	NV 00000470102	HEX. WRENCH	六角扳手 4MM	六角扳手 4MM	1.00	EA
6.00	NV 00000470103	HEX. WRENCH	六角扳手 5MM	六角扳手 5MM	1.00	EA
7.00	NV 00000470104	HEX. WRENCH	六角扳手 6MM	六角扳手 6MM	1.00	EA
8.00	NV 00000470105	HEX. WRENCH	六角扳手 8MM	六角扳手 8MM	1.00	EA
9.00	NV 00000470106	HEX. WRENCH	六角扳手 10MM	六角扳手 10MM	1.00	EA
10.00	NV 00000470107	HEX. WRENCH	六角扳手 12MM	六角扳手 12MM	1.00	EA
11.00	NV 00000470108	HEX. WRENCH	六角扳手	14MM	1.00	EA
12.00	NV 00000470109	HEX. WRENCH	六角扳手	16MM	1.00	EA
13.00	NV 00000470201	OPEN WRENCH	開口扳手(兩端)	8X10	1.00	EA
14.00	NV 00000470401	SCREW DRIVER	塑膠柄起子	— 0.2X4"	1.00	EA
15.00	NV 00000470501	SCREW DRIVER	塑膠柄起子	十 6"X8MM	1.00	EA
16.00	NV 00000470601	LIFE WRENCH	活動扳手	10"	1.00	EA
17.00	NV 00000470801	TOOL BAG	工具袋	TOOL	1.00	EA
18.00	NV 00000470902	GREASE GUN	黃油槍	[PRESSOL] 12732 1/8PT 400CC	1.00	EA
19.00	NV 00077031402	PRESTO ADAPTER, STRAIGHT MALE	外牙直快速接頭(公)	PT1/4"(PM20)	1.00	EA
20.00	BL 001066178A	LATCH, COPPER, TWIN BALL	球型門扣(公扣)	L35XW9XH13(允際TK-60)	5.00	EA

PRODUCT BOM MASTER AND SUB-ITEMS LIST  
\*\*\*\*\*

Master Item Part NO.: NV 000005003A

Description: TOOL KIT(CE)  
工具袋(CE)

Item	Part NO.	Description	中文名稱	Specification	Qty	Unit
1.00	NV 00080640101	CLEANER, SPINDLE TAPER	主軸錐孔清潔器	NO.40	1.00	EA
4.00	NV 00000470101	HEX. WRENCH	六角扳手 3MM	六角扳手 3MM	1.00	EA
5.00	NV 00000470102	HEX. WRENCH	六角扳手 4MM	六角扳手 4MM	1.00	EA
6.00	NV 00000470103	HEX. WRENCH	六角扳手 5MM	六角扳手 5MM	1.00	EA
7.00	NV 00000470104	HEX. WRENCH	六角扳手 6MM	六角扳手 6MM	1.00	EA
8.00	NV 00000470105	HEX. WRENCH	六角扳手 8MM	六角扳手 8MM	1.00	EA
9.00	NV 00000470106	HEX. WRENCH	六角扳手 10MM	六角扳手 10MM	1.00	EA
10.00	NV 00000470107	HEX. WRENCH	六角扳手 12MM	六角扳手 12MM	1.00	EA
11.00	NV 00000470108	HEX. WRENCH	六角扳手	14MM	1.00	EA
12.00	NV 00000470109	HEX. WRENCH	六角扳手	16MM	1.00	EA
13.00	NV 00000470201	OPEN WRENCH	開口扳手(兩端)	8X10	1.00	EA
14.00	NV 00000470401	SCREW DRIVER	塑膠柄起子	— 0.2X4"	1.00	EA
15.00	NV 00000470501	SCREW DRIVER	塑膠柄起子	十 6"X8MM	1.00	EA
16.00	NV 00000470601	LIFE WRENCH	活動扳手	10"	1.00	EA
17.00	NV 00000470801	TOOL BAG	工具袋	TOOL	1.00	EA
18.00	NV 00000470902	GREASE GUN	黃油槍	[PRESSOL] 12732 1/8PT 400CC	1.00	EA
19.00	BL 001066178A	LATCH, COPPER, TWIN BALL	球型門扣(公扣)	L35XW9XH13(允際TK-60)	5.00	EA

\*\*\*\*\*  
PRODUCT BOM MASTER AND SUB-ITEMS LIST  
\*\*\*\*\*

Master Item Part NO.: NV 000005002F

Description: TOOL KIT(USA) TAPPER 50  
工具袋(美國) TAPPER 50

Item Part NO.	Description	中文名稱	Specification	Qty	Unit
1.00 NV 00080640103	CLEANER, SPINDLE TAPER	主軸錐孔清潔器	NO.50	1.00	EA
2.00 NV 00070070302	TUBE, PU COIL WICH ADAPTER	風壓用伸縮管附接頭	[CHI-YING]0850-6M	1.00	EA
3.00 NV 01070350102	AIR NOZZLE	空氣噴槍	30PSI MAX, OSHA REQUIREMENT,MM	1.00	EA
4.00 NV 00000470101	HEX. WRENCH	六角扳手 3MM	六角扳手 3MM	1.00	EA
5.00 NV 00000470102	HEX. WRENCH	六角扳手 4MM	六角扳手 4MM	1.00	EA
6.00 NV 00000470103	HEX. WRENCH	六角扳手 5MM	六角扳手 5MM	1.00	EA
7.00 NV 00000470104	HEX. WRENCH	六角扳手 6MM	六角扳手 6MM	1.00	EA
8.00 NV 00000470105	HEX. WRENCH	六角扳手 8MM	六角扳手 8MM	1.00	EA
9.00 NV 00000470106	HEX. WRENCH	六角扳手 10MM	六角扳手 10MM	1.00	EA
10.00 NV 00000470107	HEX. WRENCH	六角扳手 12MM	六角扳手 12MM	1.00	EA
11.00 NV 00000470108	HEX. WRENCH	六角扳手	14MM	1.00	EA
12.00 NV 00000470109	HEX. WRENCH	六角扳手	16MM	1.00	EA
13.00 NV 00000470201	OPEN WRENCH	開口扳手(兩端)	8X10	1.00	EA
14.00 NV 00000470401	SCREW DRIVER	塑膠柄起子	— 0.2X4"	1.00	EA
15.00 NV 00000470501	SCREW DRIVER	塑膠柄起子	十 6"X8MM	1.00	EA
16.00 NV 00000470601	LIFE WRENCH	活動扳手	10"	1.00	EA
17.00 NV 00000470801	TOOL BAG	工具袋	TOOL	1.00	EA
18.00 NV 00000470902	GREASE GUN	黃油槍	[PRESSOL] 12732 1/8PT 400CC	1.00	EA
19.00 NV 00077031402	PRESTO ADAPTER, STRAIGHT MALE	外牙直快速接頭(公)	PT1/4"(PM20)	1.00	EA
20.00 BL 001066178A	LATCH, COPPER, TWIN BALL	球型門扣(公扣)	L35XW9XH13(允際TK-60)	5.00	EA

# PRODUCT BOM MASTER AND SUB-ITEMS LIST

\*\*\*\*\*

Master Item Part NO.: NV 000005001F

Description: TOOL KIT TAPPER 50  
工具袋 TAPPER 50

Item	Part NO.	Description	中文名稱	Specification	Qty	Unit
1.00	NV 00080640103	CLEANER, SPINDLE TAPER	主軸錐孔清潔器	NO.50	1.00	EA
2.00	NV 00070070302	TUBE, PU COIL WICH ADAPTER	風壓用伸縮管附接頭	[CHI-YING]0850-6M	1.00	EA
3.00	NV 01070350101	AIR FLOW GUN	空氣噴槍	KS 100MM	1.00	EA
4.00	NV 00000470101	HEX. WRENCH	六角扳手 3MM	六角扳手 3MM	1.00	EA
5.00	NV 00000470102	HEX. WRENCH	六角扳手 4MM	六角扳手 4MM	1.00	EA
6.00	NV 00000470103	HEX. WRENCH	六角扳手 5MM	六角扳手 5MM	1.00	EA
7.00	NV 00000470104	HEX. WRENCH	六角扳手 6MM	六角扳手 6MM	1.00	EA
8.00	NV 00000470105	HEX. WRENCH	六角扳手 8MM	六角扳手 8MM	1.00	EA
9.00	NV 00000470106	HEX. WRENCH	六角扳手 10MM	六角扳手 10MM	1.00	EA
10.00	NV 00000470107	HEX. WRENCH	六角扳手 12MM	六角扳手 12MM	1.00	EA
11.00	NV 00000470108	HEX. WRENCH	六角扳手	14MM	1.00	EA
12.00	NV 00000470109	HEX. WRENCH	六角扳手	16MM	1.00	EA
13.00	NV 00000470201	OPEN WRENCH	開口扳手(兩端)	8X10	1.00	EA
14.00	NV 00000470401	SCREW DRIVER	塑膠柄起子	— 0.2X4"	1.00	EA
15.00	NV 00000470501	SCREW DRIVER	塑膠柄起子	十 6"X8MM	1.00	EA
16.00	NV 00000470601	LIFE WRENCH	活動扳手	10"	1.00	EA
17.00	NV 00000470801	TOOL BAG	工具袋	TOOL	1.00	EA
18.00	NV 00000470902	GREASE GUN	黃油槍	[PRESSOL] 12732 1/8PT 400CC	1.00	EA
19.00	NV 00077031402	PRESTO ADAPTER, STRAIGHT MALE	外牙直快速接頭(公)	PT1/4"(PM20)	1.00	EA
20.00	BL 001066178A	LATCH, COPPER, TWIN BALL	球型門扣(公扣)	L35XW9XH13(允際TK-60)	5.00	EA

PRODUCT BOM MASTER AND SUB-ITEMS LIST  
\*\*\*\*\*

Master Item Part NO.: NV 000005003F

Description: TOOL KIT(CE)  
工具袋(CE)TAPPER 50

Item	Part NO.	Description	中文名稱	Specification	Qty	Unit
1.00	NV 00080640103	CLEANER, SPINDLE TAPER	主軸錐孔清潔器	NO.50	1.00	EA
4.00	NV 00000470101	HEX. WRENCH	六角扳手 3MM	六角扳手 3MM	1.00	EA
5.00	NV 00000470102	HEX. WRENCH	六角扳手 4MM	六角扳手 4MM	1.00	EA
6.00	NV 00000470103	HEX. WRENCH	六角扳手 5MM	六角扳手 5MM	1.00	EA
7.00	NV 00000470104	HEX. WRENCH	六角扳手 6MM	六角扳手 6MM	1.00	EA
8.00	NV 00000470105	HEX. WRENCH	六角扳手 8MM	六角扳手 8MM	1.00	EA
9.00	NV 00000470106	HEX. WRENCH	六角扳手 10MM	六角扳手 10MM	1.00	EA
10.00	NV 00000470107	HEX. WRENCH	六角扳手 12MM	六角扳手 12MM	1.00	EA
11.00	NV 00000470108	HEX. WRENCH	六角扳手	14MM	1.00	EA
12.00	NV 00000470109	HEX. WRENCH	六角扳手	16MM	1.00	EA
13.00	NV 00000470201	OPEN WRENCH	開口扳手(兩端)	8X10	1.00	EA
14.00	NV 00000470401	SCREW DRIVER	塑膠柄起子	— 0.2X4"	1.00	EA
15.00	NV 00000470501	SCREW DRIVER	塑膠柄起子	十 6"X8MM	1.00	EA
16.00	NV 00000470601	LIFE WRENCH	活動扳手	10"	1.00	EA
17.00	NV 00000470801	TOOL BAG	工具袋	TOOL	1.00	EA
18.00	NV 00000470902	GREASE GUN	黃油槍	[PRESSOL] 12732 1/8PT 400CC	1.00	EA
19.00	BL 001066178A	LATCH, COPPER, TWIN BALL	球型門扣(公扣)	L35XW9XH13(允際TK-60)	5.00	EA



Hardinge Machine Tools B.V., Taiwan Branch

Address : 4 Tzu Chiang 3<sup>rd</sup> Rd., Nan Tou City, 540 Taiwan

Tel : 886-49-2260-536

Fax : 886-49-2252-203      886-49-2254-167

[Http://www.hardinge.com](http://www.hardinge.com)